



US00D763068S

(12) **United States Design Patent**
Symons

(10) **Patent No.:** **US D763,068 S**

(45) **Date of Patent:** **** Aug. 9, 2016**

(54) **FASTENING DEVICE**

(71) Applicant: **BLUELOUNGE PTE. LTD.**, Wilkie Edge (SG)

(72) Inventor: **Dominic Symons**, Wilkie Edge (SG)

(**) Term: **14 Years**

(21) Appl. No.: **29/506,832**

(22) Filed: **Oct. 21, 2014**

(51) **LOC (10) Cl.** **08-08**

(52) **U.S. Cl.**
USPC **D8/383**

(58) **Field of Classification Search**
USPC D8/349, 382, 354, 383
CPC H01R 13/6392; H01R 13/5816; E06B 9/326;
Y10T 24/3982; Y10T 24/39; Y10T 24/3916
See application file for complete search history.

(56) **References Cited**

U.S. PATENT DOCUMENTS

3,022,557	A	2/1962	Logan	
3,887,965	A	6/1975	Schuplin	
3,965,544	A	6/1976	Boden	
D247,345	S *	2/1978	Mulholland	D8/383
4,156,574	A	5/1979	Boden	
D259,620	S	6/1981	Johnsen	
D297,304	S *	8/1988	Ito et al.	D8/383
D309,251	S	7/1990	Palmer	
D343,570	S *	1/1994	Meier	D8/383
5,283,930	A	2/1994	Krauss	
5,345,656	A	9/1994	Merritt	
5,604,961	A	2/1997	Cole	
D425,783	S *	5/2000	Ishida et al.	D8/383
D428,796	S *	8/2000	van Ochten	D8/349
D433,649	S *	11/2000	Buettell	D11/200
6,199,412	B1	3/2001	Kennedy	
6,524,041	B1	2/2003	Voiculescu	
D499,330	S *	12/2004	Peato	D8/383
7,185,399	B2	3/2007	Logan	
D569,349	S *	5/2008	Preston	D13/156

D608,626	S *	1/2010	Camisasca	D8/382
D609,082	S *	2/2010	Camisasca et al.	D8/382
7,654,042	B1	2/2010	Brown	
D649,444	S *	11/2011	Gallagher et al.	D8/383
D649,932	S	12/2011	Symons	
8,079,116	B2	12/2011	Ayers	
D709,359	S *	7/2014	Symons	D8/396
D709,755	S *	7/2014	Hollingworth	D8/383
D727,138	S *	4/2015	Cross	D8/382
2001/0001340	A1	5/2001	Libecco	
2006/0037178	A1	2/2006	Sulhoff	
2006/0177282	A1	8/2006	Blosser	
2007/0071568	A1	3/2007	Dorstewitz	
2007/0251279	A1	11/2007	Hollier	
2013/0185900	A1	7/2013	Campbell	
2014/0182084	A1	7/2014	Hill	

FOREIGN PATENT DOCUMENTS

EP	0765281	6/1995
WO	2013113056	8/2013

* cited by examiner

Primary Examiner — Sheryl Lane

(74) *Attorney, Agent, or Firm* — Todd R. Miller; Vested Law LLP

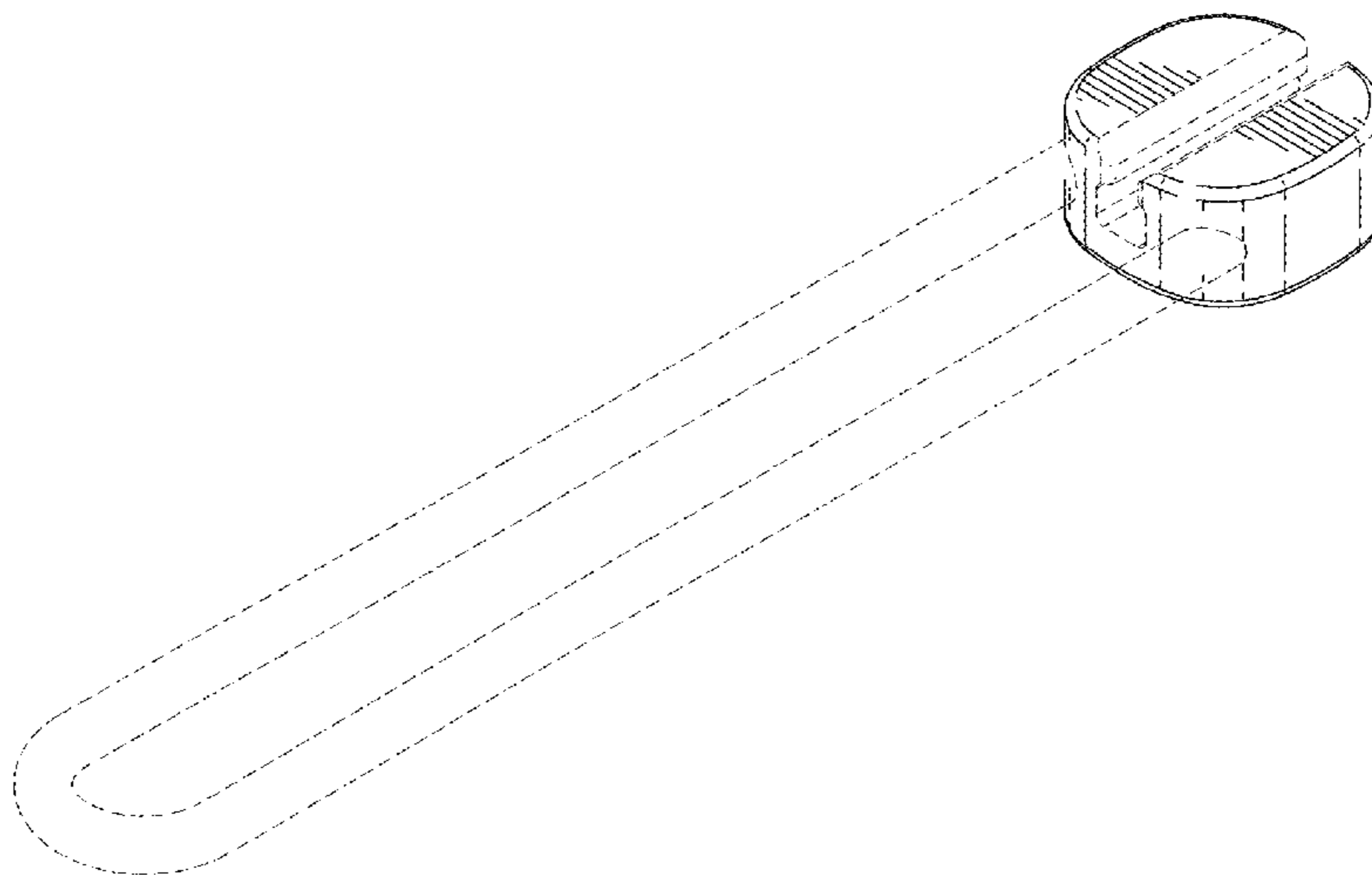
(57) **CLAIM**

The ornamental design for a fastening device, as shown and described.

DESCRIPTION

FIG. 1 is a top plan view of the fastening device.
FIG. 2 is a rear view thereof;
FIG. 3 is a side view thereof;
FIG. 4 is affront view thereof;
FIG. 5 is a bottom view thereof;
FIG. 6 is a perspective view thereof; and,
FIG. 7 is an alternate environmental perspective view thereof.
The broken lines are directed to environment and form no part of the claimed design.

1 Claim, 3 Drawing Sheets



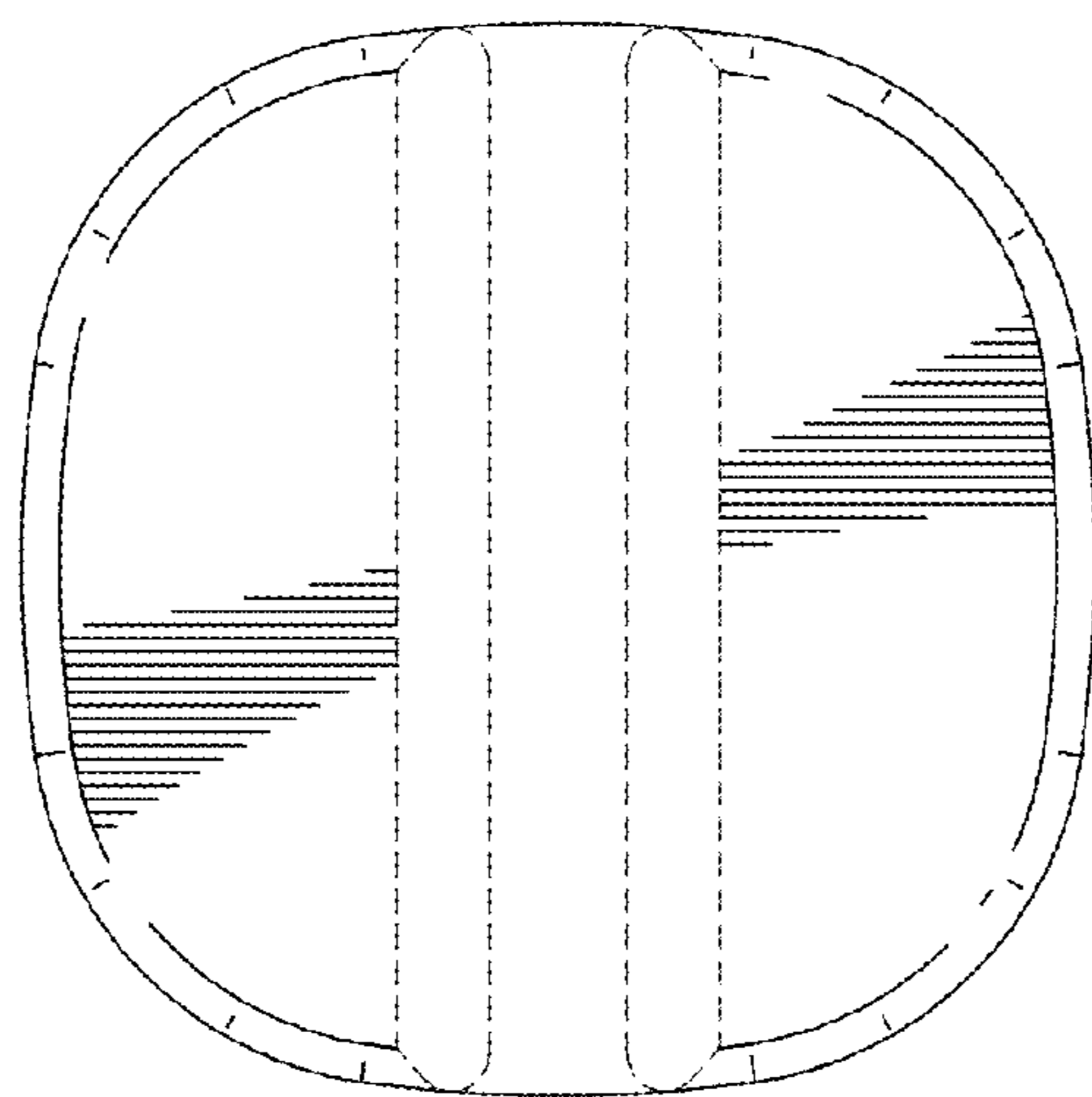


FIG. 1

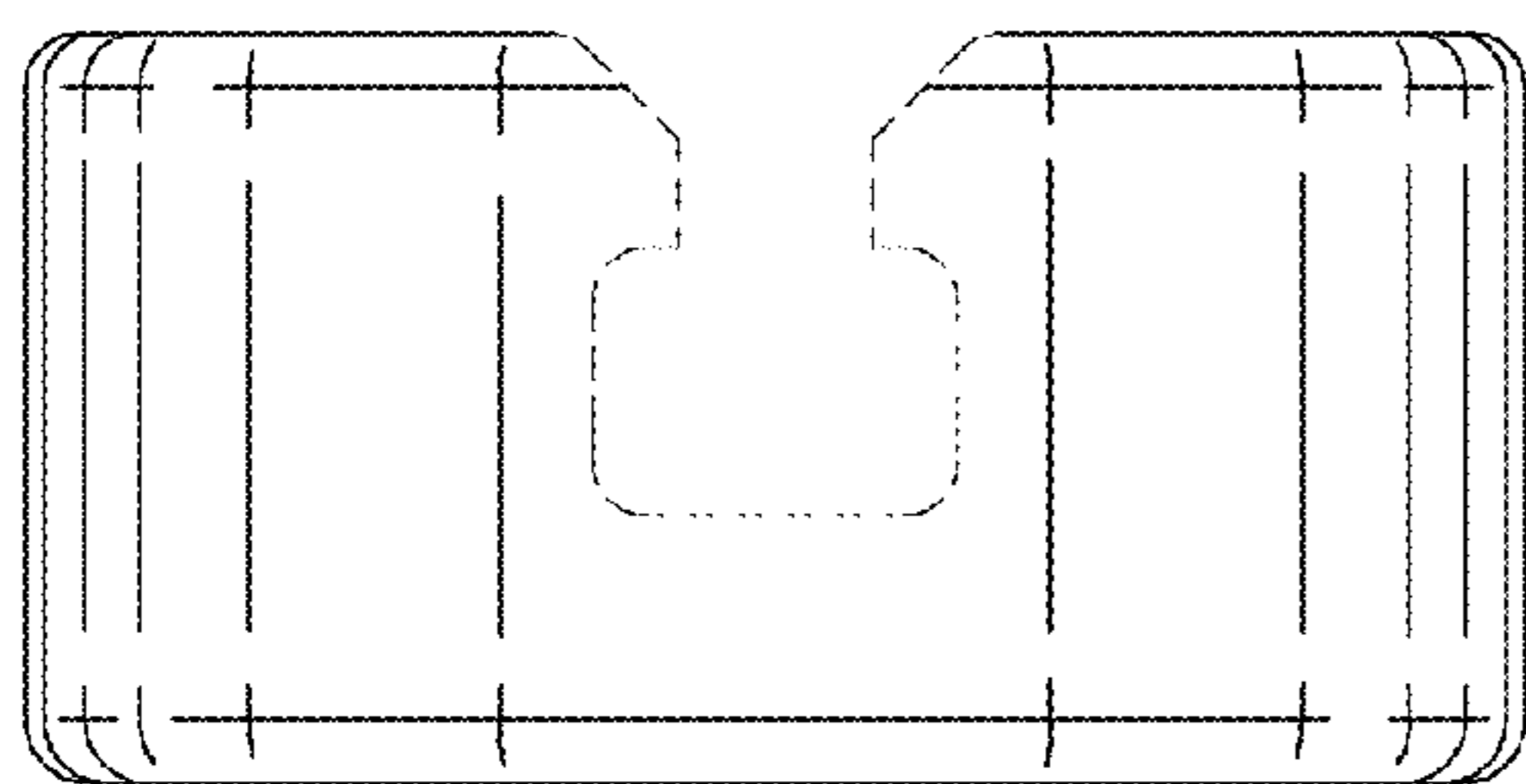


FIG. 2

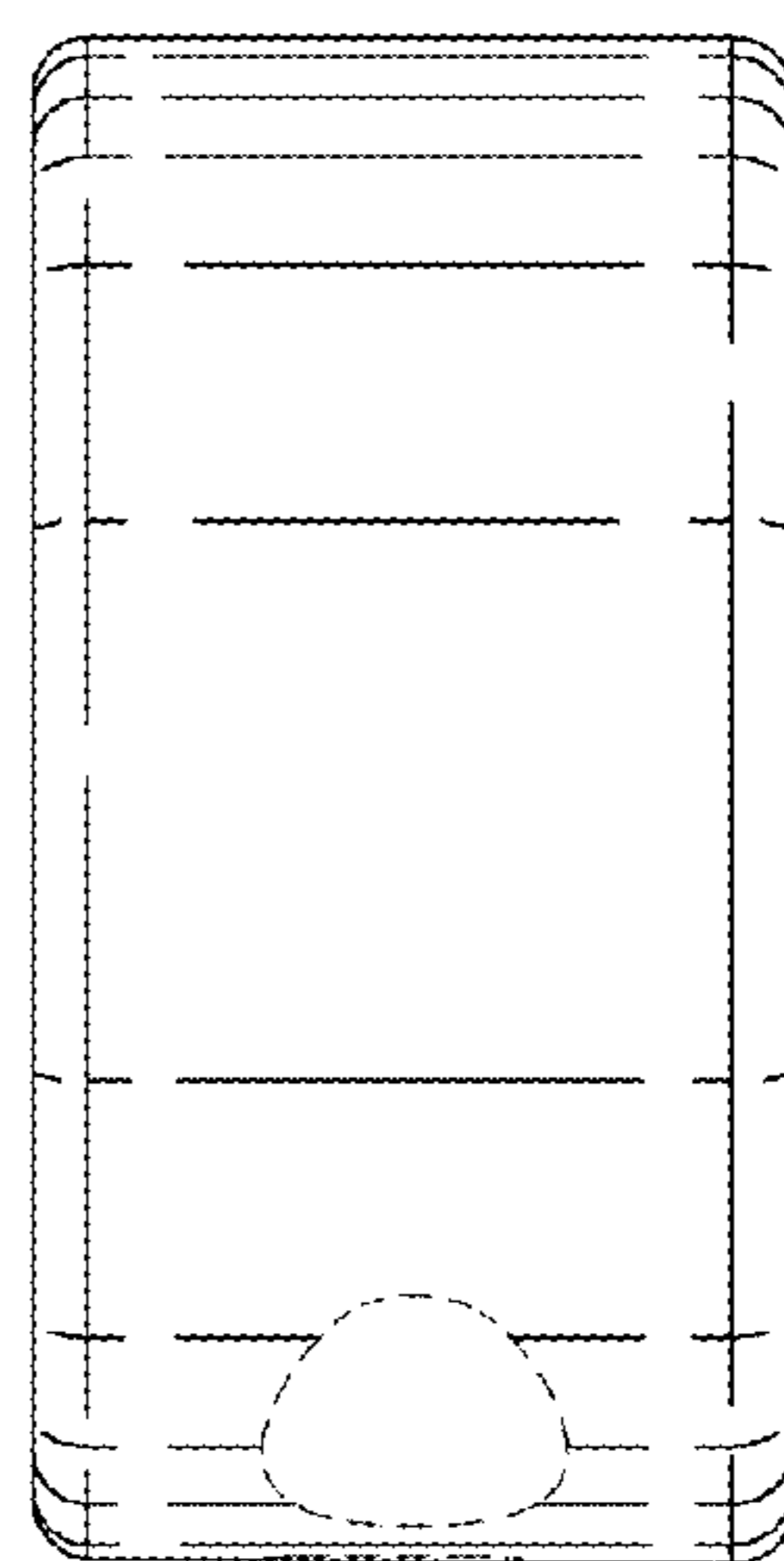


FIG. 3

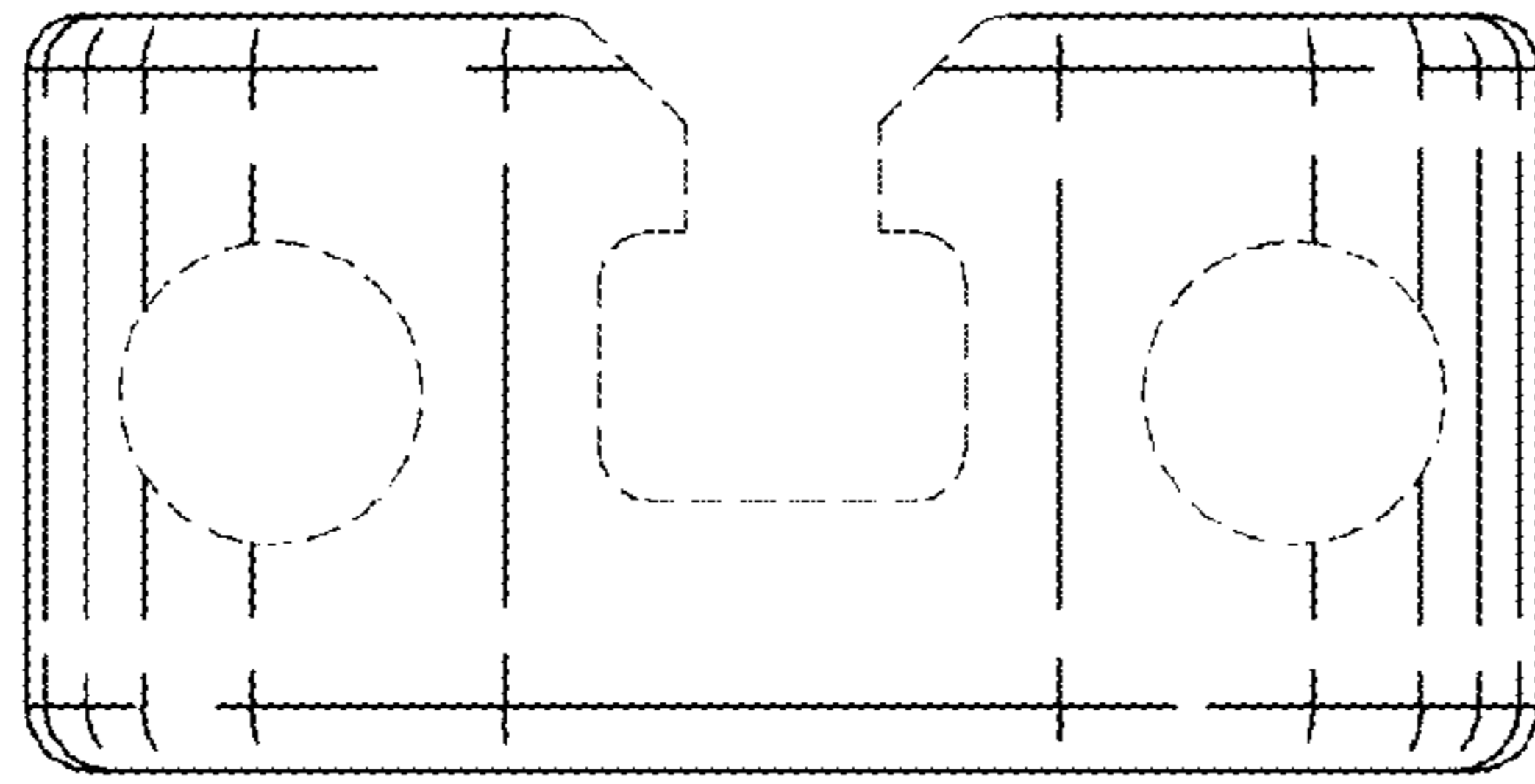


FIG. 4

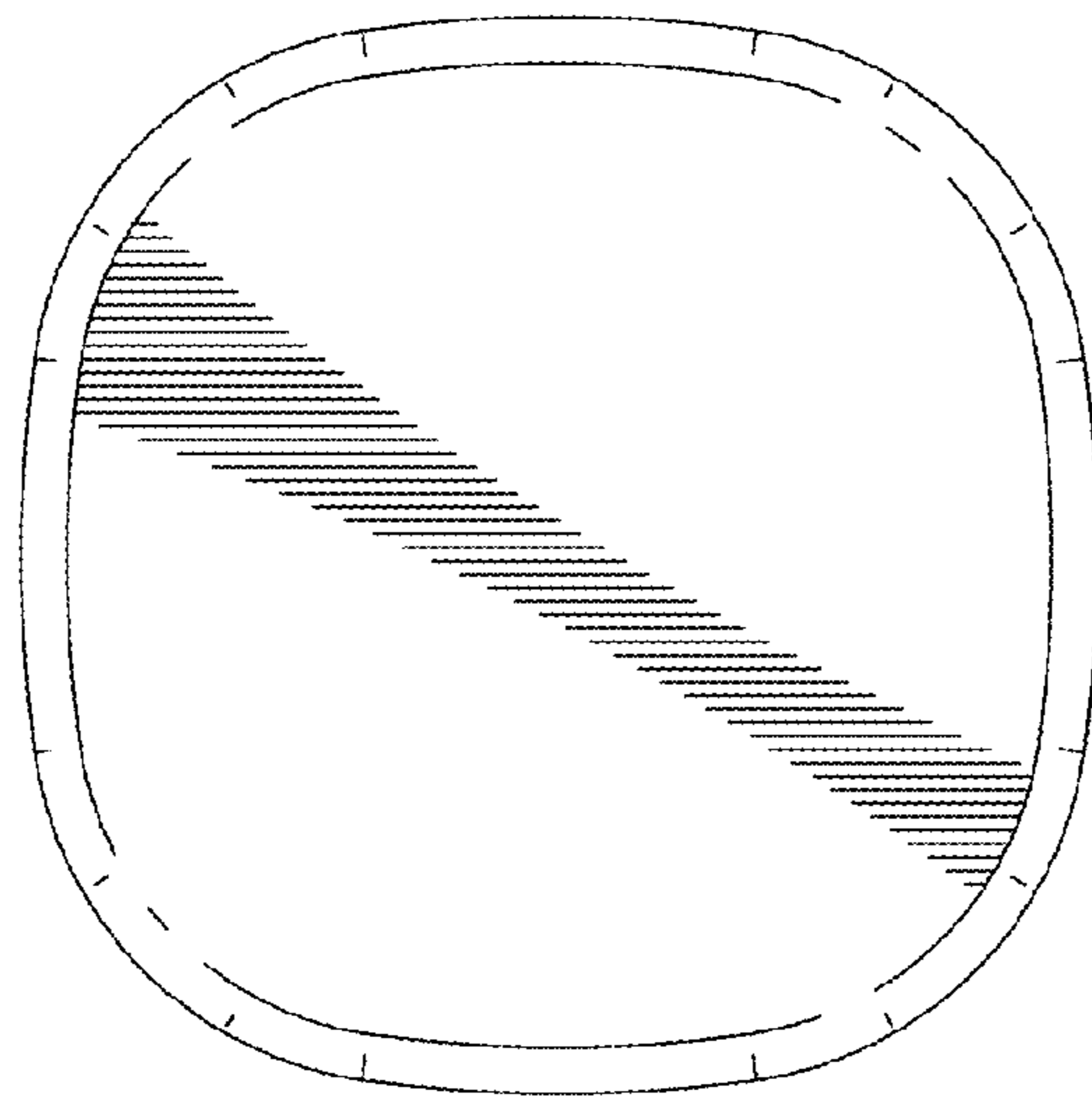


FIG. 5

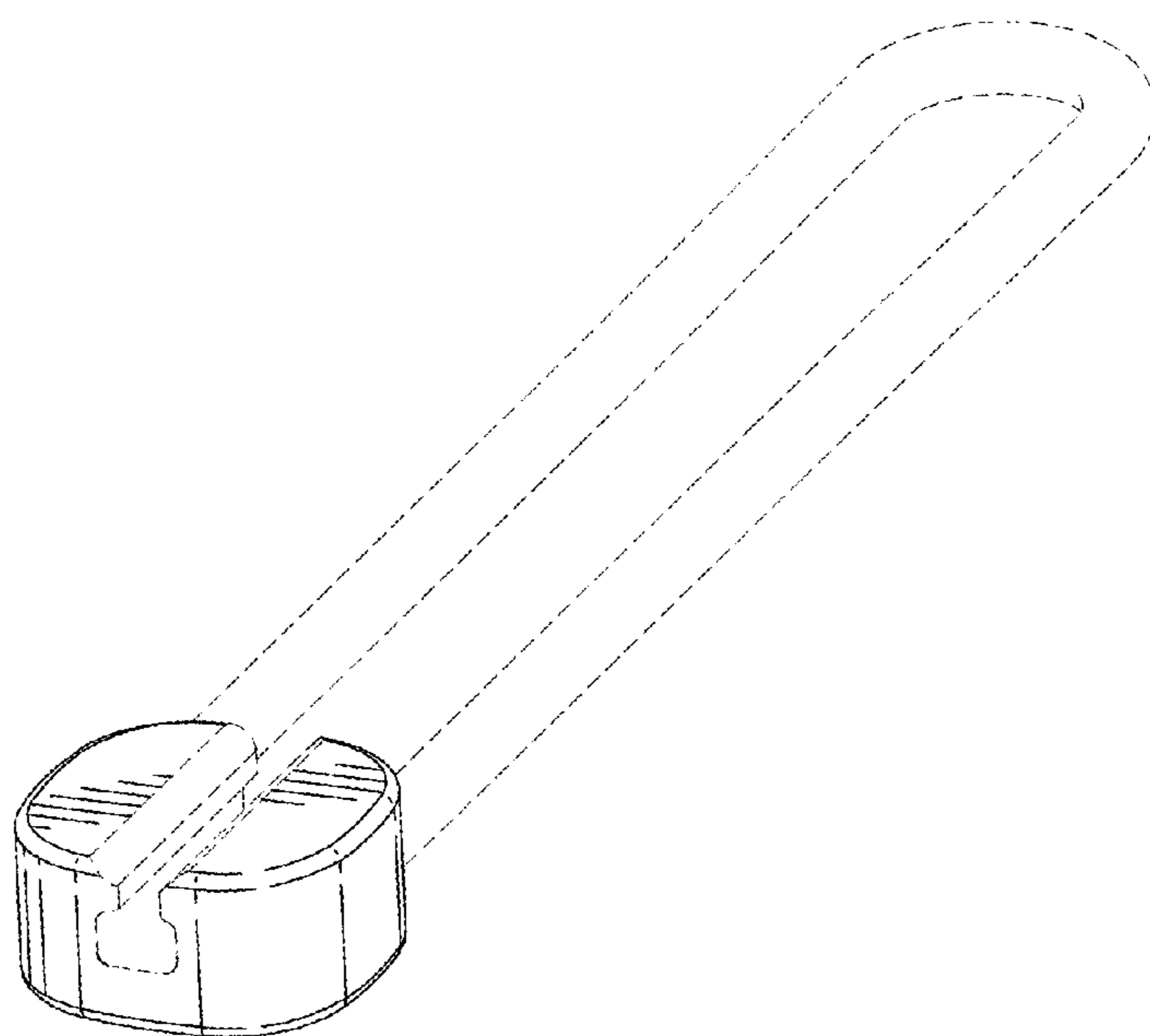


FIG. 6

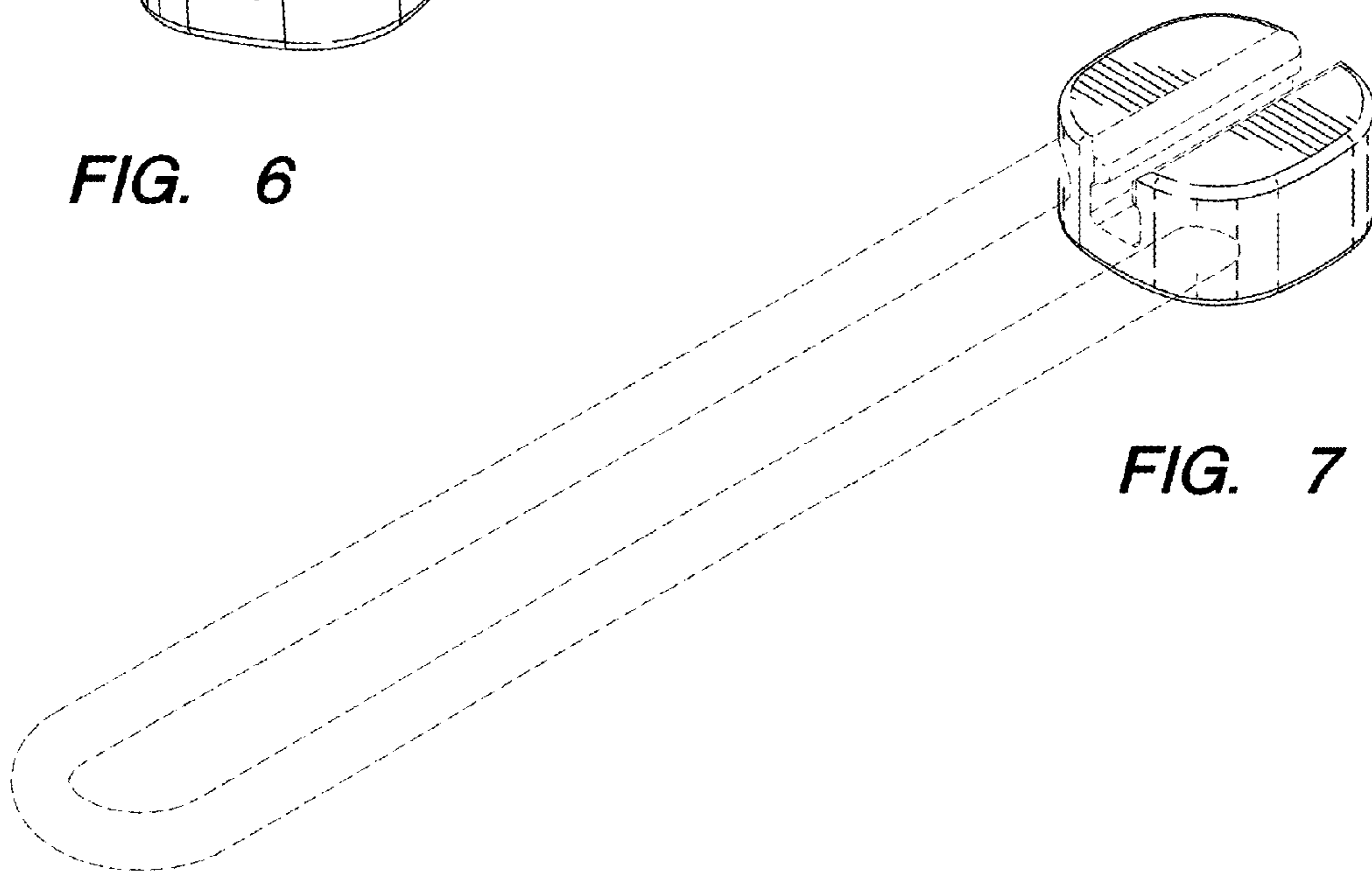


FIG. 7