

US00D763065S

(12) **United States Design Patent**
Tu

(10) **Patent No.:** **US D763,065 S**

(45) **Date of Patent:** **** Aug. 9, 2016**

(54) **HOOK**

(56) **References Cited**

(71) Applicant: **BEI YU INDUSTRIAL CO.**, Tainan (TW)

U.S. PATENT DOCUMENTS

(72) Inventor: **Wen-Chih Tu**, Tainan (TW)

D355,585 S	*	2/1995	Terada	D8/367
D500,244 S	*	12/2004	Yoshiguchi	D8/367
D583,654 S	*	12/2008	Uehara	D8/367
D623,505 S	*	9/2010	Tu	D8/367
D728,350 S	*	5/2015	Tu	D8/367

(73) Assignee: **Bei Yu Industrial Co.**, Tainan (TW)

* cited by examiner

(**) Term: **15 Years**

Primary Examiner — Cynthia Underwood
(74) *Attorney, Agent, or Firm* — Rosenberg, Klein & Lee

(21) Appl. No.: **29/530,610**

(57) **CLAIM**
The ornamental design for a hook, as shown and described.

(22) Filed: **Jun. 18, 2015**

DESCRIPTION

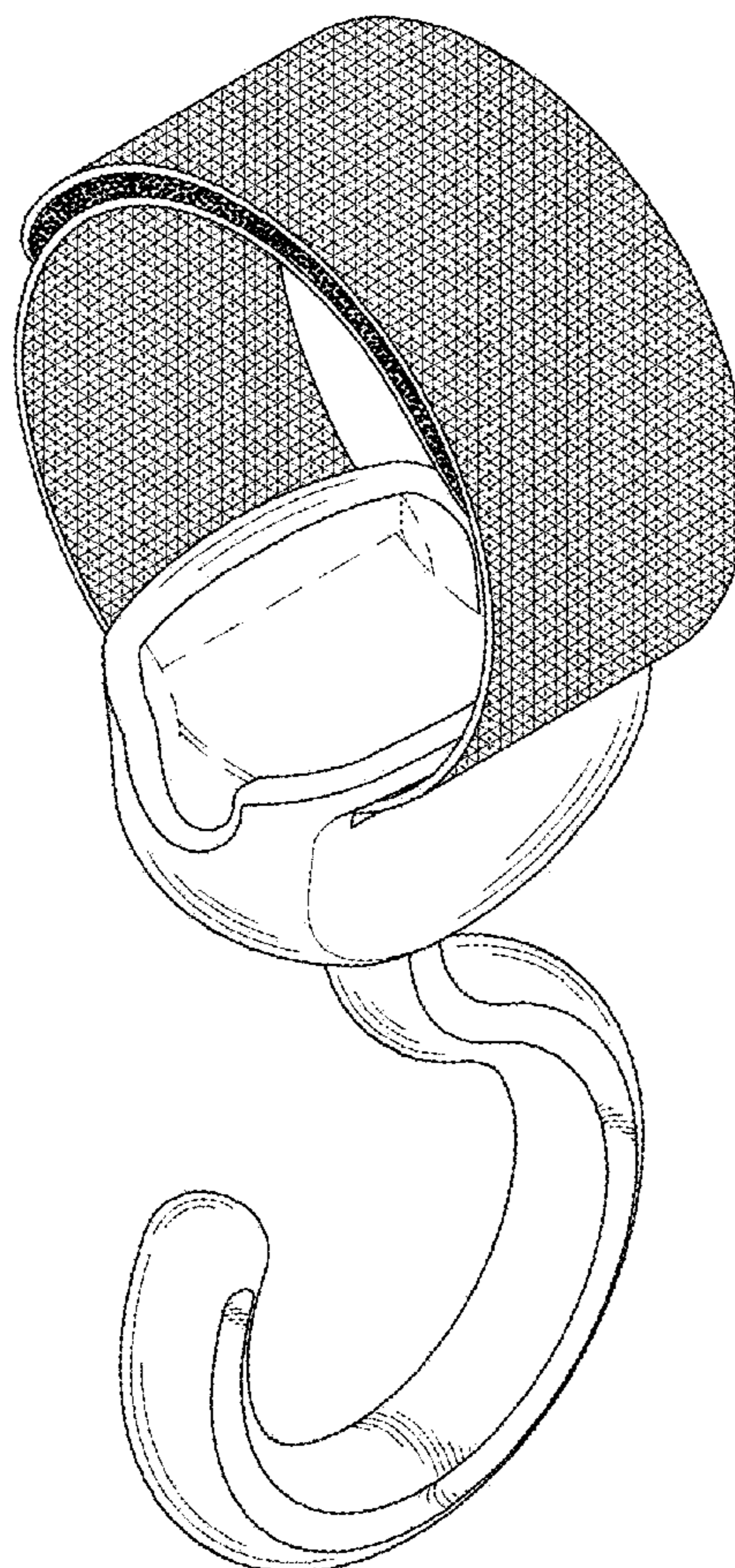
(51) **LOC (10) Cl.** **08-05**

(52) **U.S. Cl.**
USPC **D8/367**

(58) **Field of Classification Search**
USPC D8/367, 354, 349, 389; 248/301, 302,
248/303, 304, 339; 24/132 R; D6/325
CPC A47G 1/00; F16B 2/00; A63B 27/00
See application file for complete search history.

FIG. 1 is a perspective view of a hook my new design;
FIG. 2 is a front elevational view thereof;
FIG. 3 is a rear elevational view thereof;
FIG. 4 is a left side elevational view thereof;
FIG. 5 is a right side elevational view thereof;
FIG. 6 is a top plan view thereof; and,
FIG. 7 is a bottom plan view thereof.
The broken lines in the drawings depict environmental subject matter/or parts of the hook only and form no part of the claimed design.

1 Claim, 7 Drawing Sheets



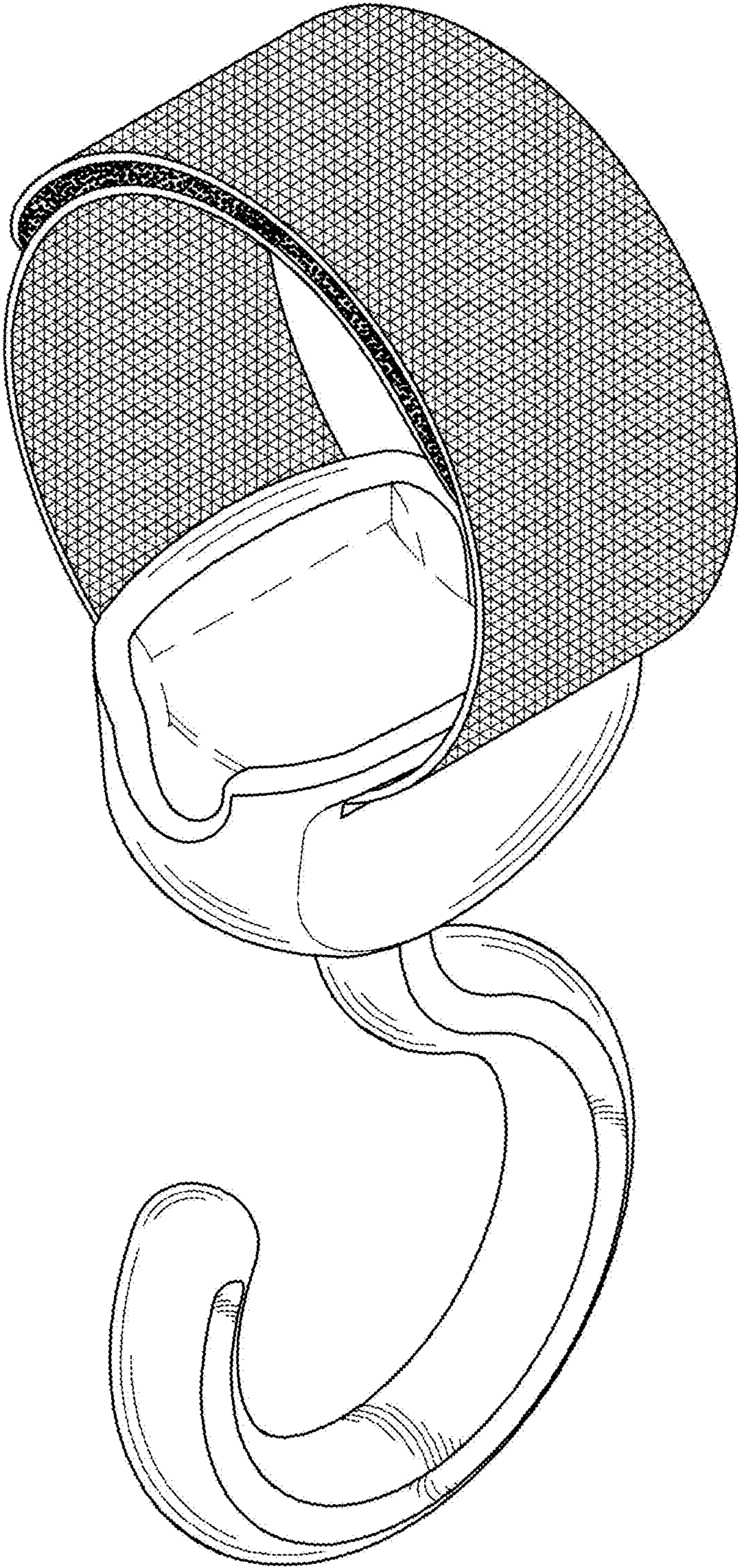


FIG. 1

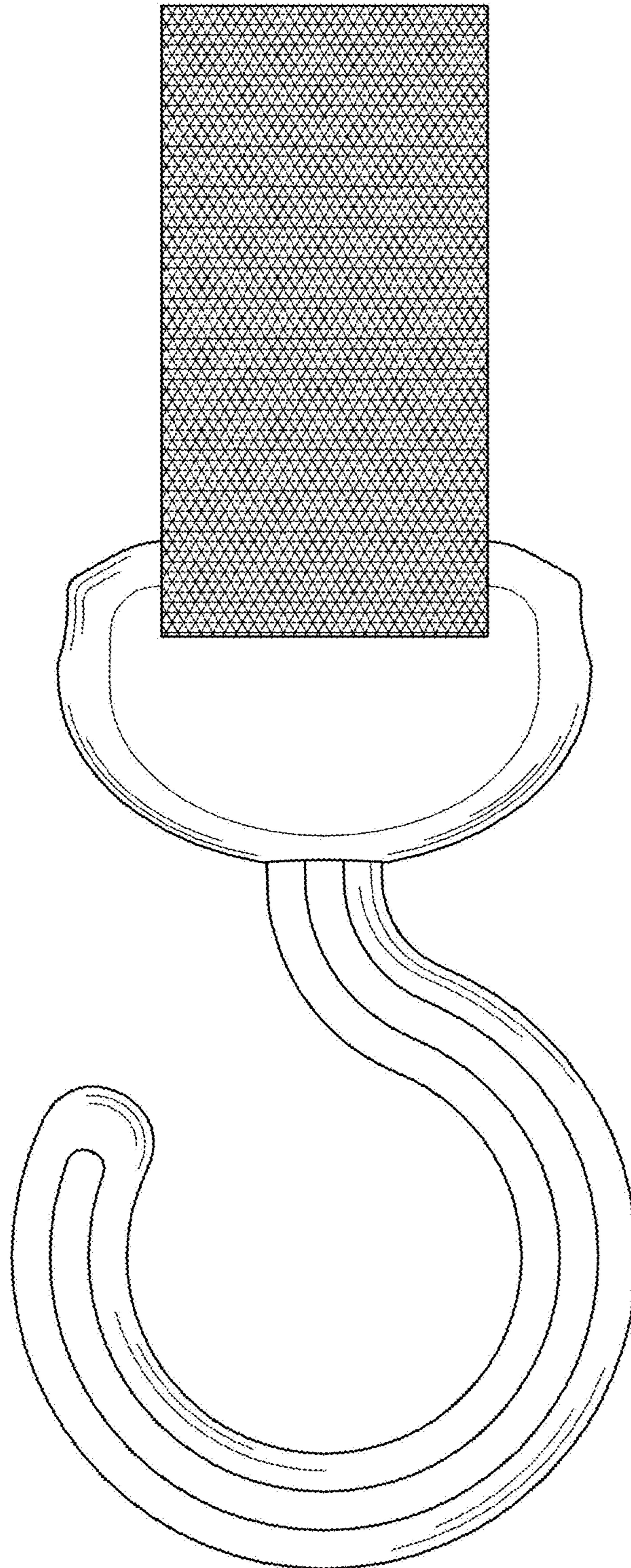


FIG. 2

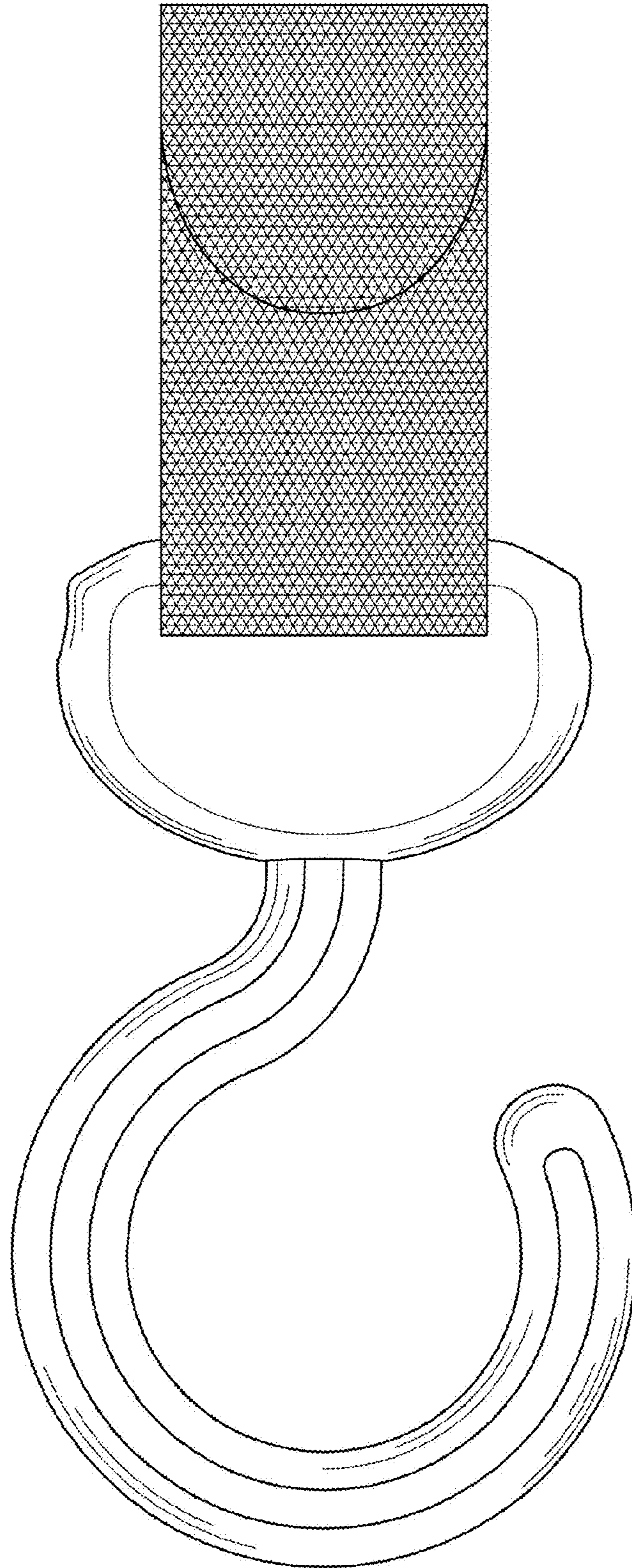


FIG. 3

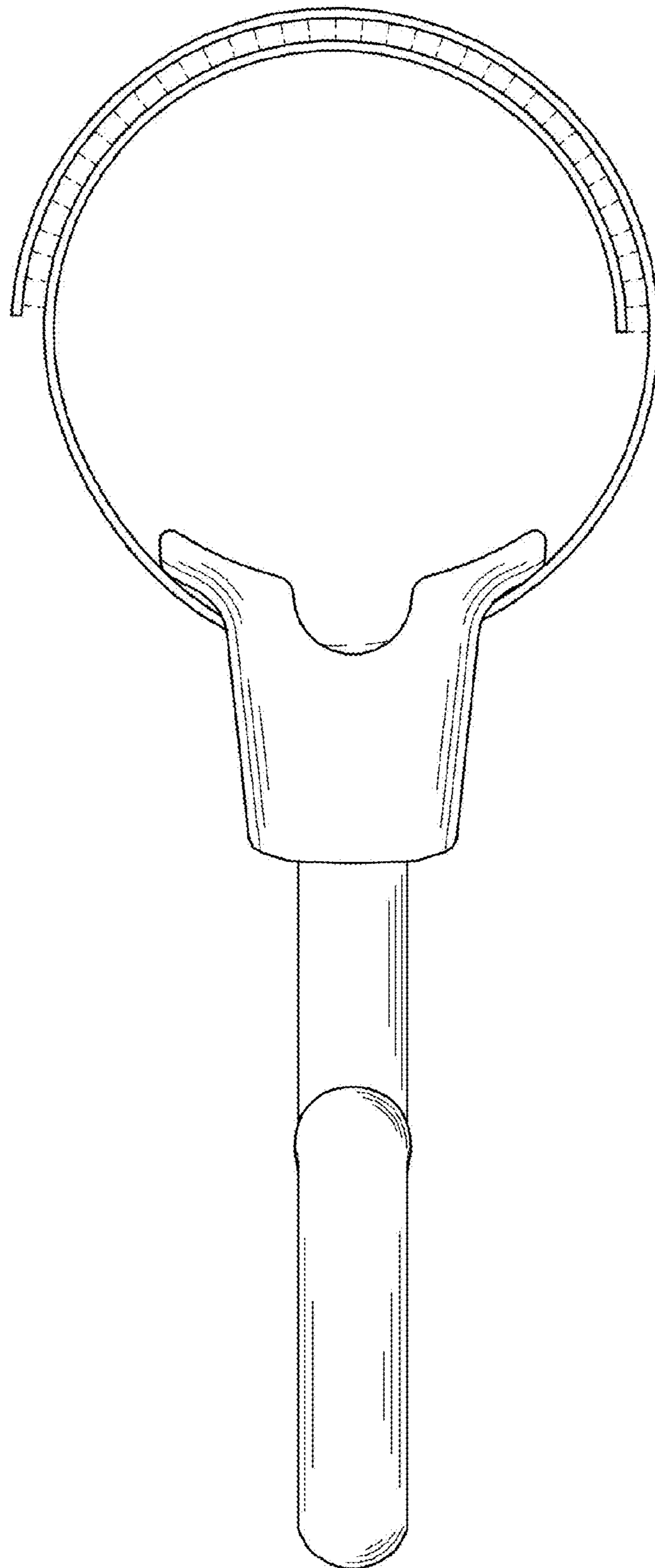


FIG. 4

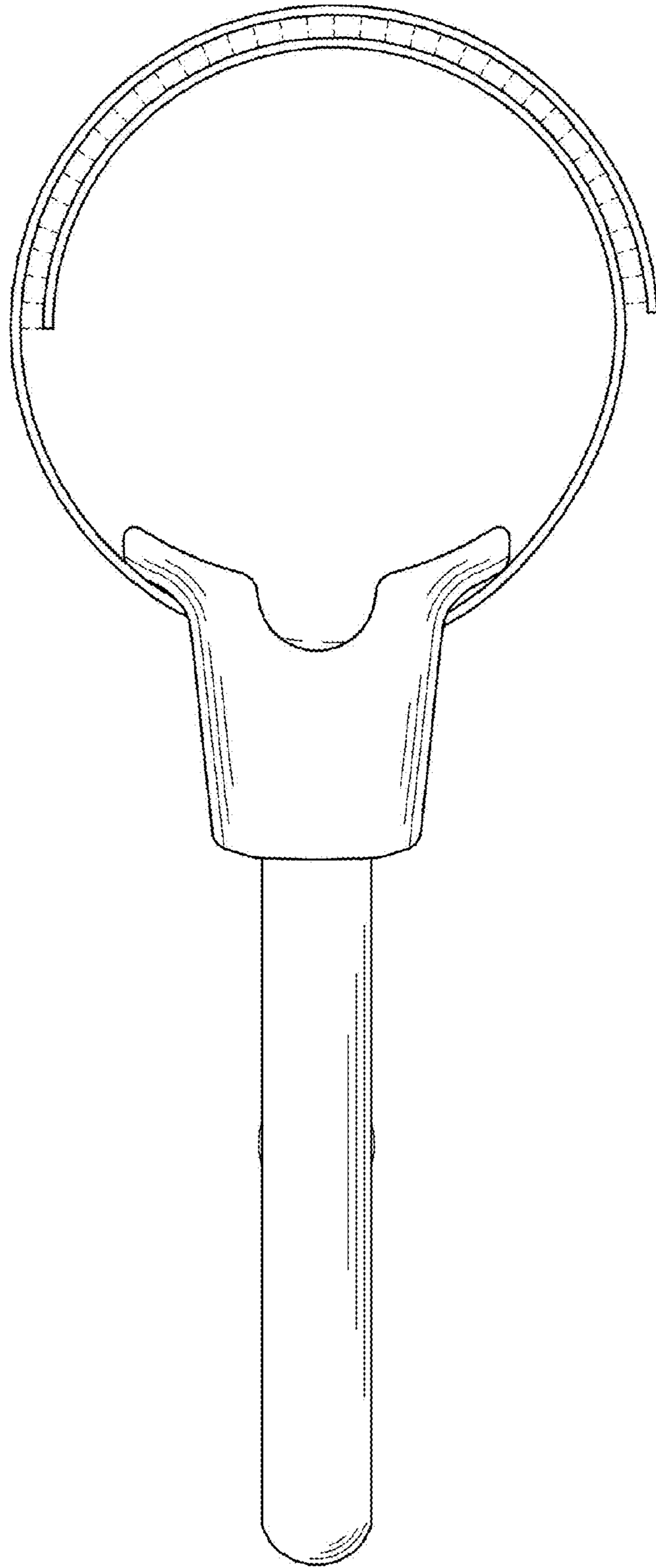


FIG. 5

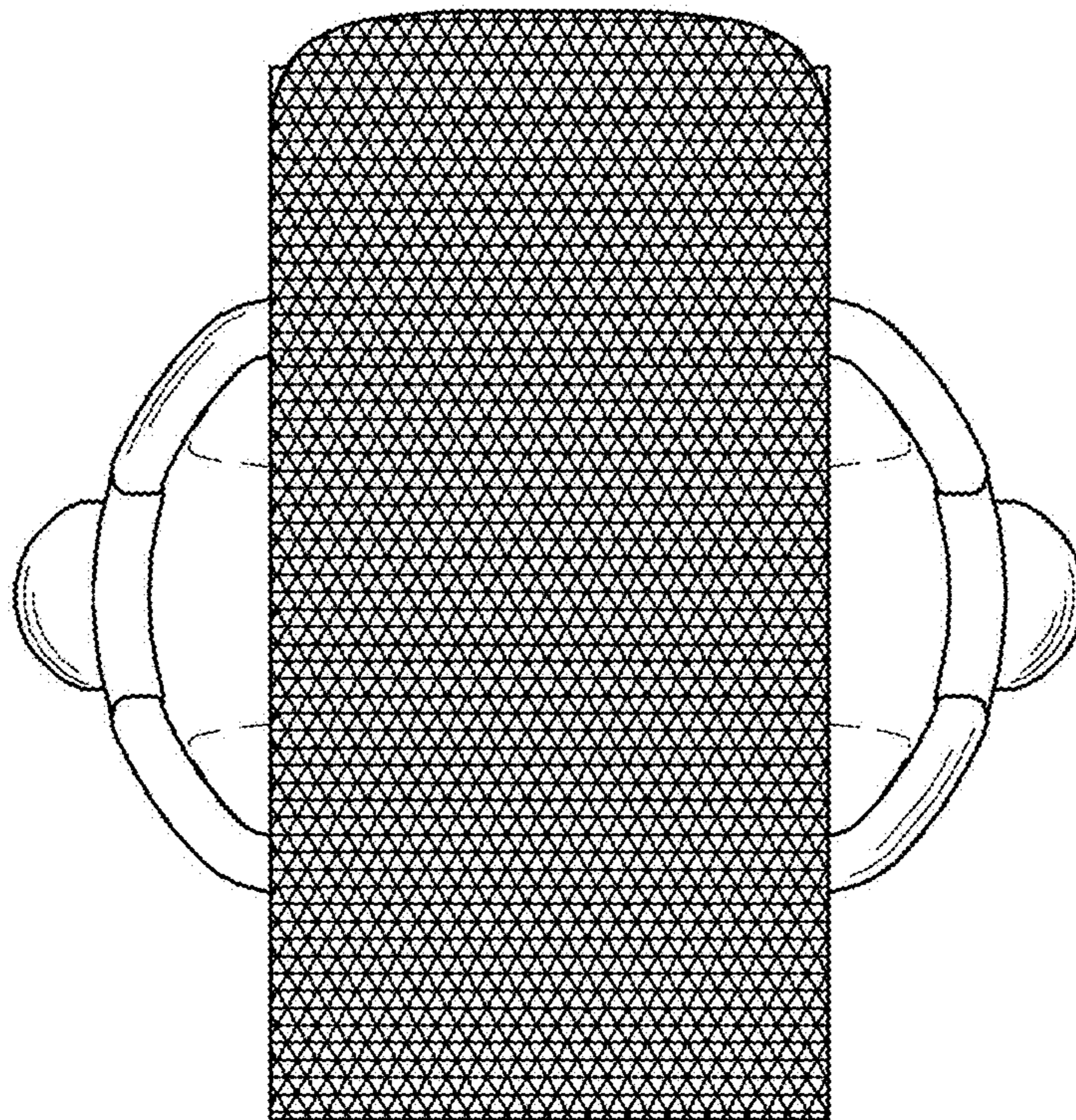


FIG. 6

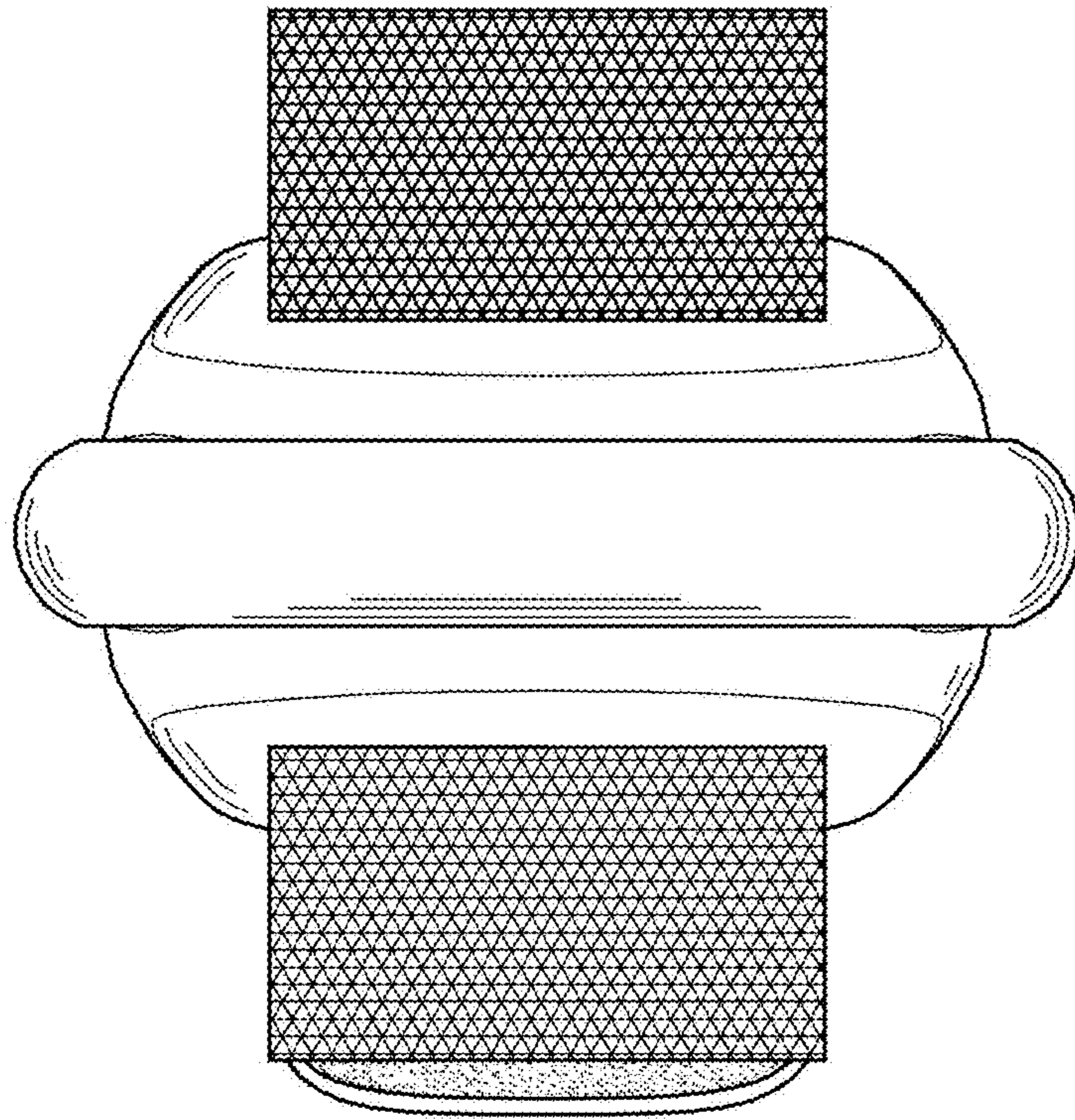


FIG. 7