



US00D763064S

(12) **United States Design Patent**
Paglioli

(10) **Patent No.:** **US D763,064 S**

(45) **Date of Patent:** **** Aug. 9, 2016**

(54) **TUBE-STYLE BELAY DEVICE**

(71) Applicant: **Aludesign S.p.A.**, Cisano Bergamasco
(Bergamo) (IT)

(72) Inventor: **Carlo Paglioli**, Cisano Bergamasco (IT)

(73) Assignee: **ALUDESIGN S.P.A.**, Cisano
Bergamasco (BG) (IT)

(**) Term: **14 Years**

(21) Appl. No.: **29/511,091**

(22) Filed: **Dec. 5, 2014**

(30) **Foreign Application Priority Data**

Jun. 9, 2014 (EM) 002478750-0001

(51) **LOC (10) Cl.** **08-05**

(52) **U.S. Cl.**
USPC **D8/356**

(58) **Field of Classification Search**

USPC D8/356, 354, 349, 367
CPC A63B 27/00; A63B 29/00
See application file for complete search history.

(56) **References Cited**

U.S. PATENT DOCUMENTS

D347,157 S *	5/1994	Brown	D8/333
D413,786 S *	9/1999	Graham	D8/356
D466,794 S *	12/2002	Malkiel	D8/356
6,681,891 B2 *	1/2004	Richard	A62B 1/14 182/192
D560,480 S *	1/2008	Tamura	D8/383
7,353,910 B2 *	4/2008	Klingler	A62B 1/14 182/192
D586,001 S *	2/2009	Petzl	D25/69
7,500,290 B2 *	3/2009	Klingler	A62B 1/18 182/5

D593,844 S *	6/2009	Petzl	D8/356
8,205,922 B1 *	6/2012	Ohman, Jr.	F16G 15/06 294/82.1
8,261,881 B2 *	9/2012	Plaze	A62B 1/06 182/193
D702,110 S *	4/2014	Gobbi	D8/356
D716,132 S *	10/2014	Gobbi	D8/356
D732,377 S *	6/2015	Miszewski	D8/356
D744,320 S *	12/2015	Parrish	D8/356
2007/0187176 A1 *	8/2007	Christianson	A62B 1/14 182/5
2009/0008188 A1 *	1/2009	Bronnaz	A63B 29/02 182/133
2009/0026011 A1 *	1/2009	Petzl	A62B 1/06 182/5

* cited by examiner

Primary Examiner — Cynthia Underwood

(74) *Attorney, Agent, or Firm* — Lucas & Mercanti, LLP

(57) **CLAIM**

The ornamental design for a tube-style belay device, as shown and described.

DESCRIPTION

FIG. 1 is a first side view of the tube-style belay device of the present invention;
FIG. 2 is a second side view thereof;
FIG. 3 is a first perspective view thereof;
FIG. 4 is a second perspective view thereof;
FIG. 5 is a top view thereof;
FIG. 6 is a bottom view thereof;
FIG. 7 is a third side view thereof;
FIG. 8 is a fourth side view thereof;
FIG. 9 is a first side view of a second embodiment of the tube-style belay device of the present invention;
FIG. 10 is a second side view thereof; and,
FIG. 11 is a perspective view thereof.

1 Claim, 6 Drawing Sheets

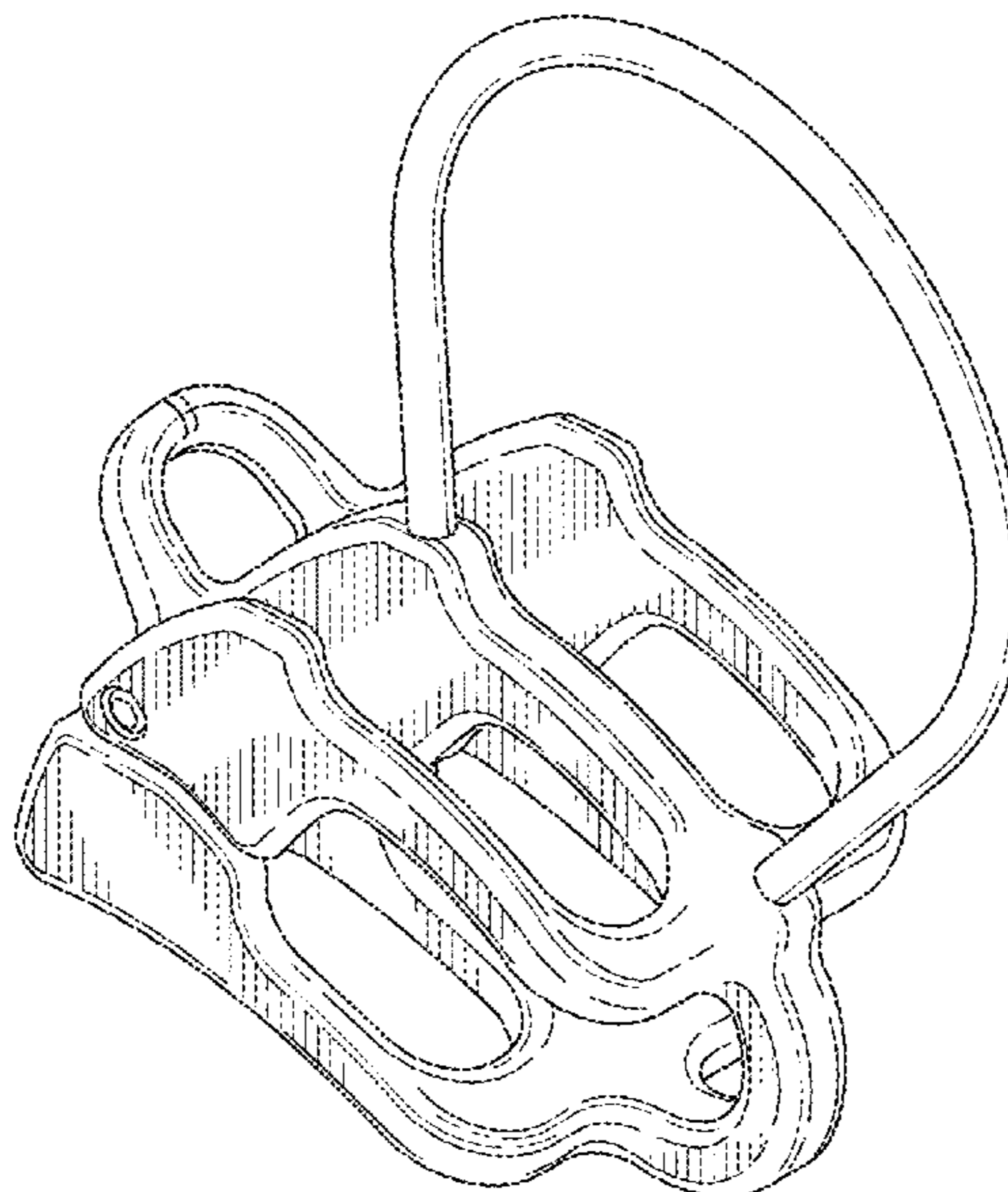


FIG. 1

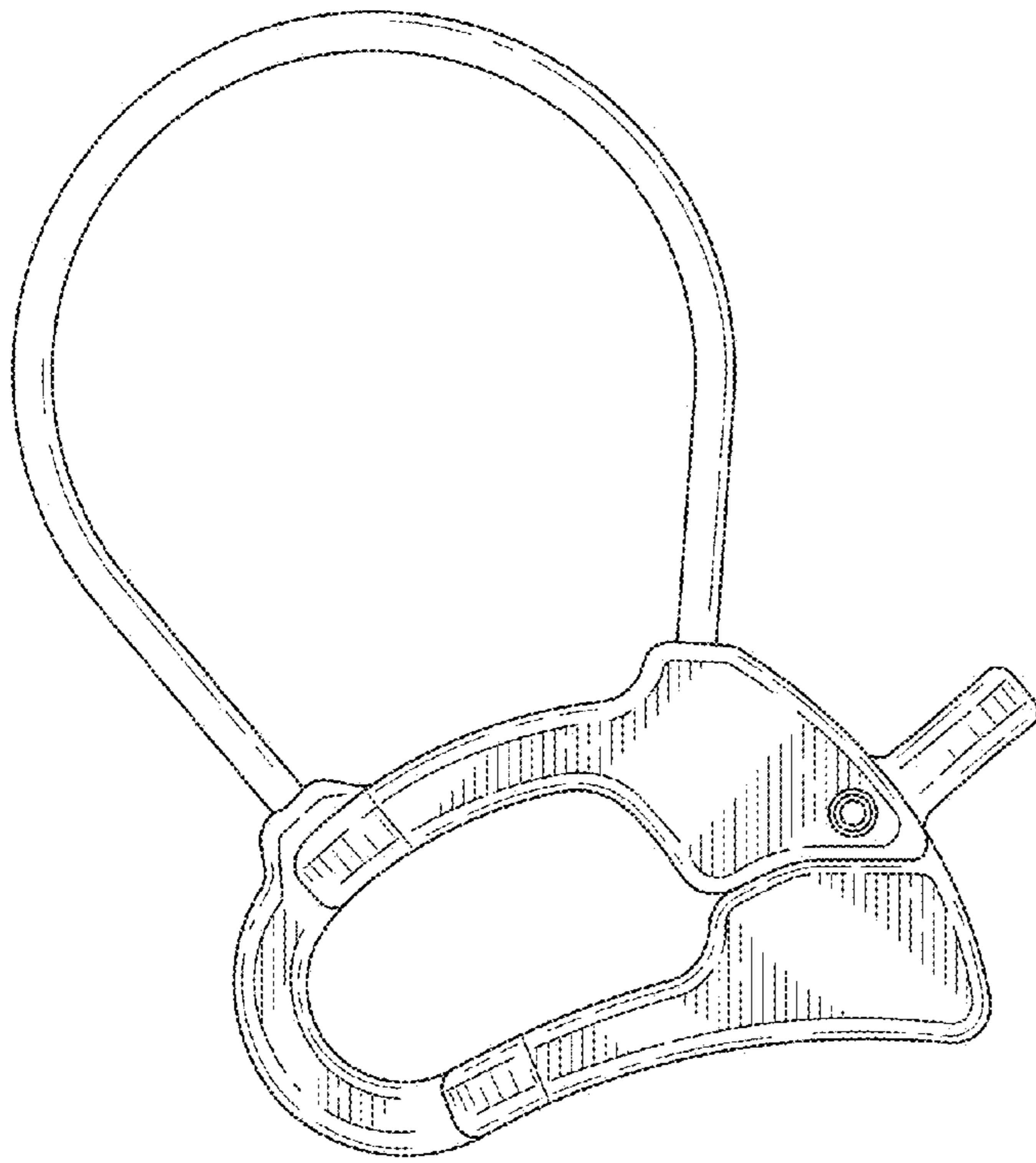
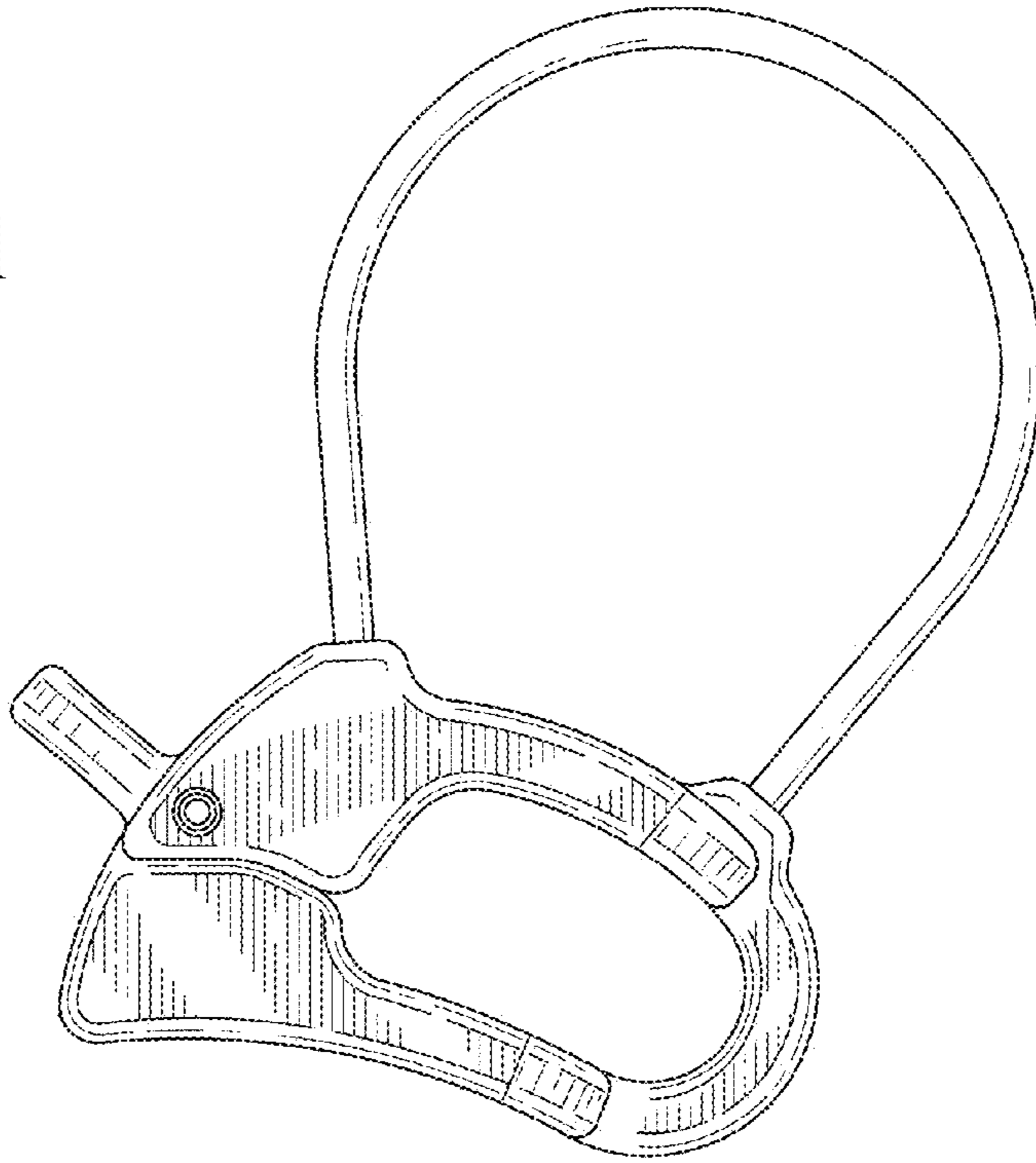


FIG. 2

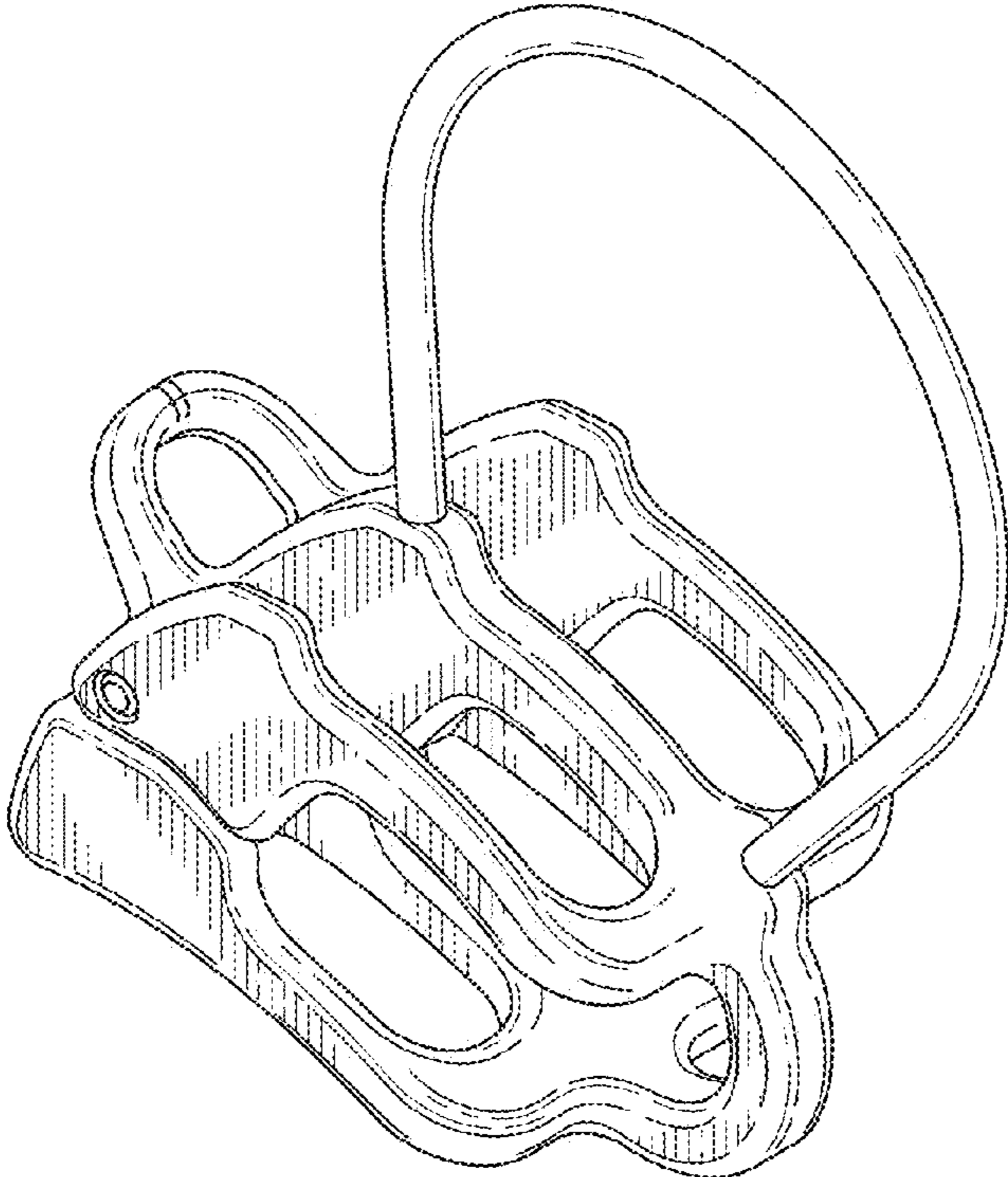


FIG. 3

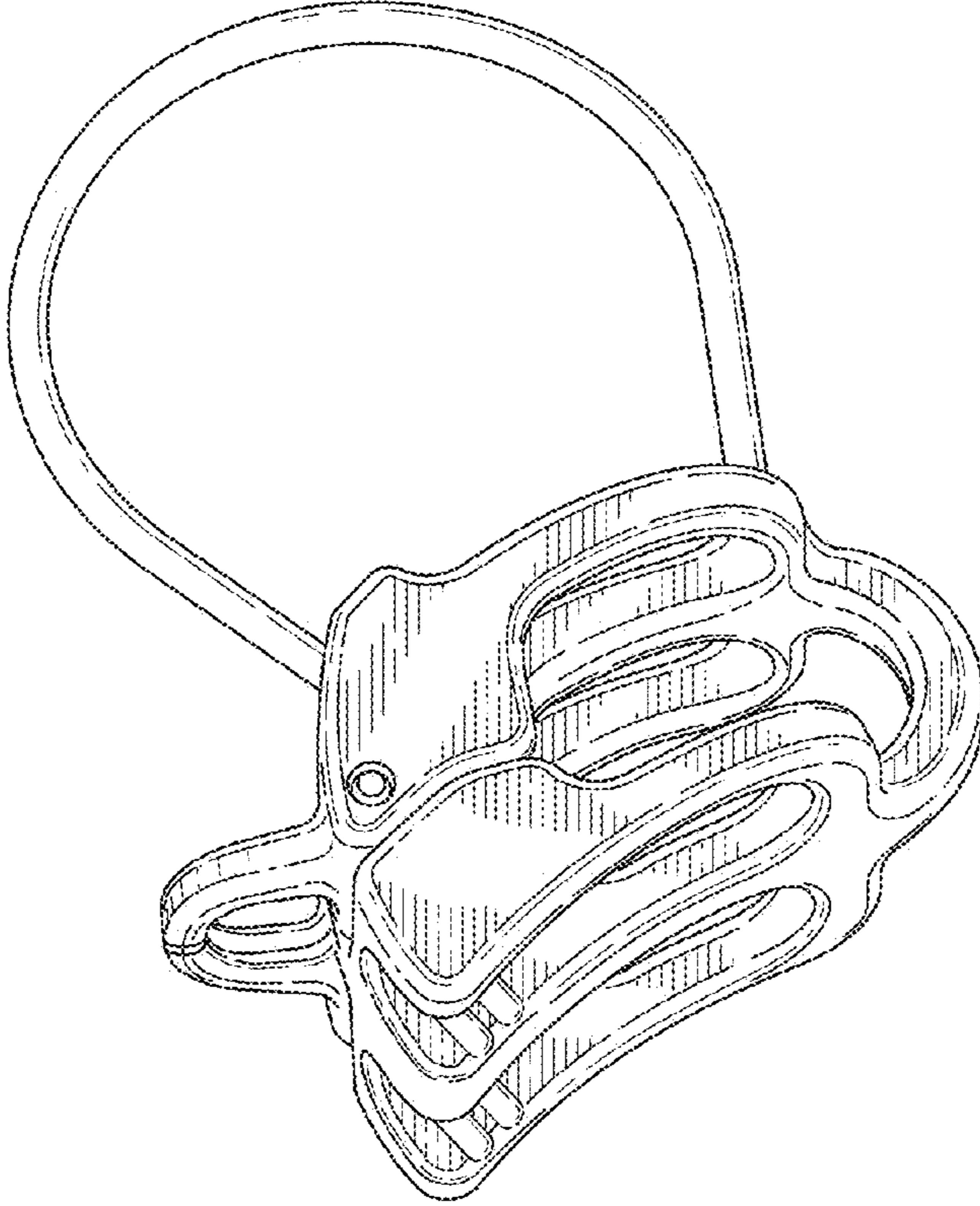


FIG. 4

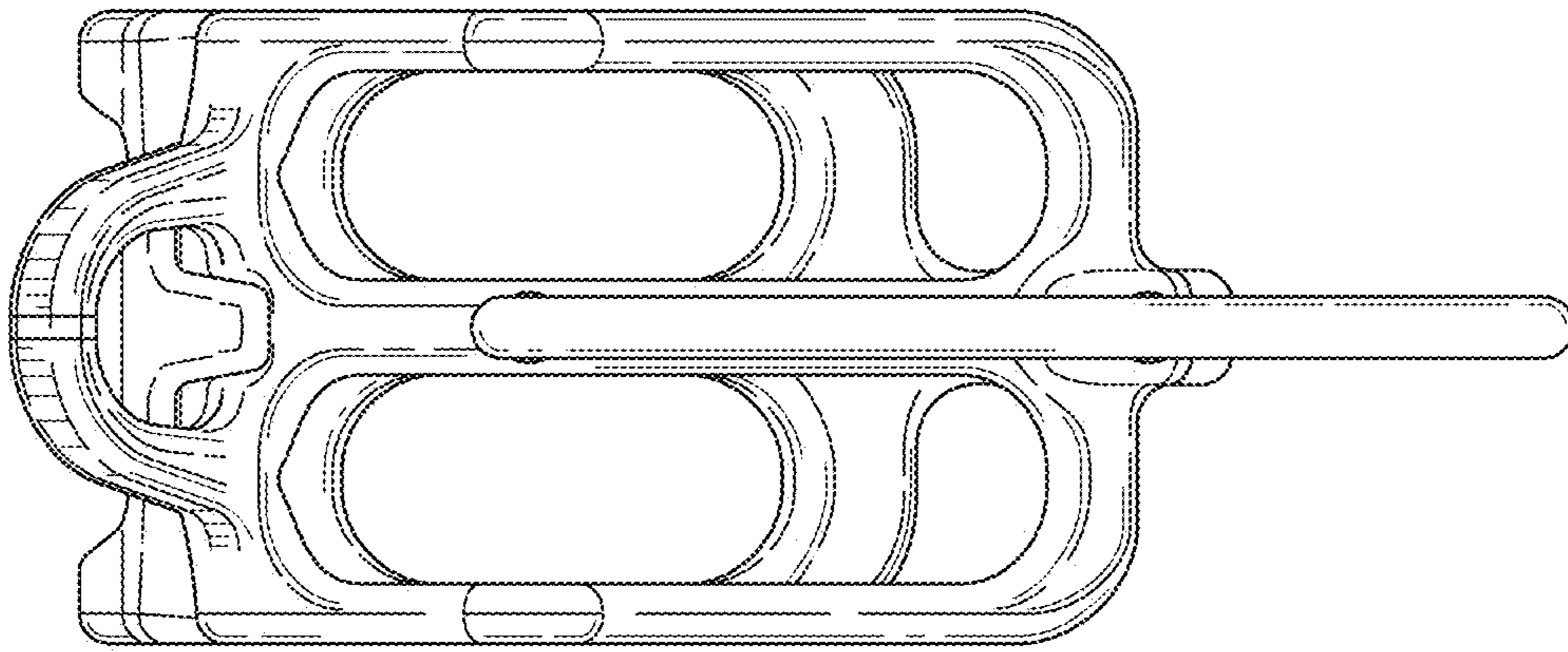


FIG. 5

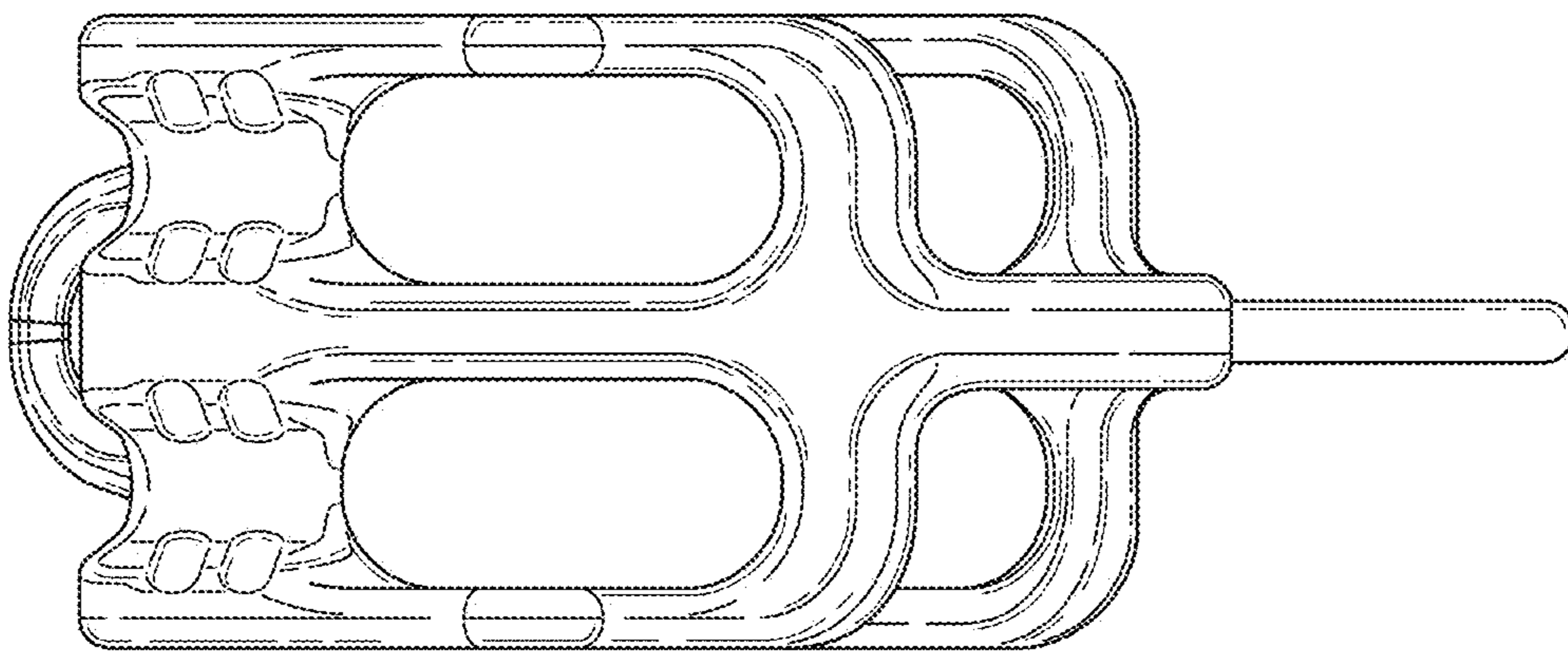


FIG. 6

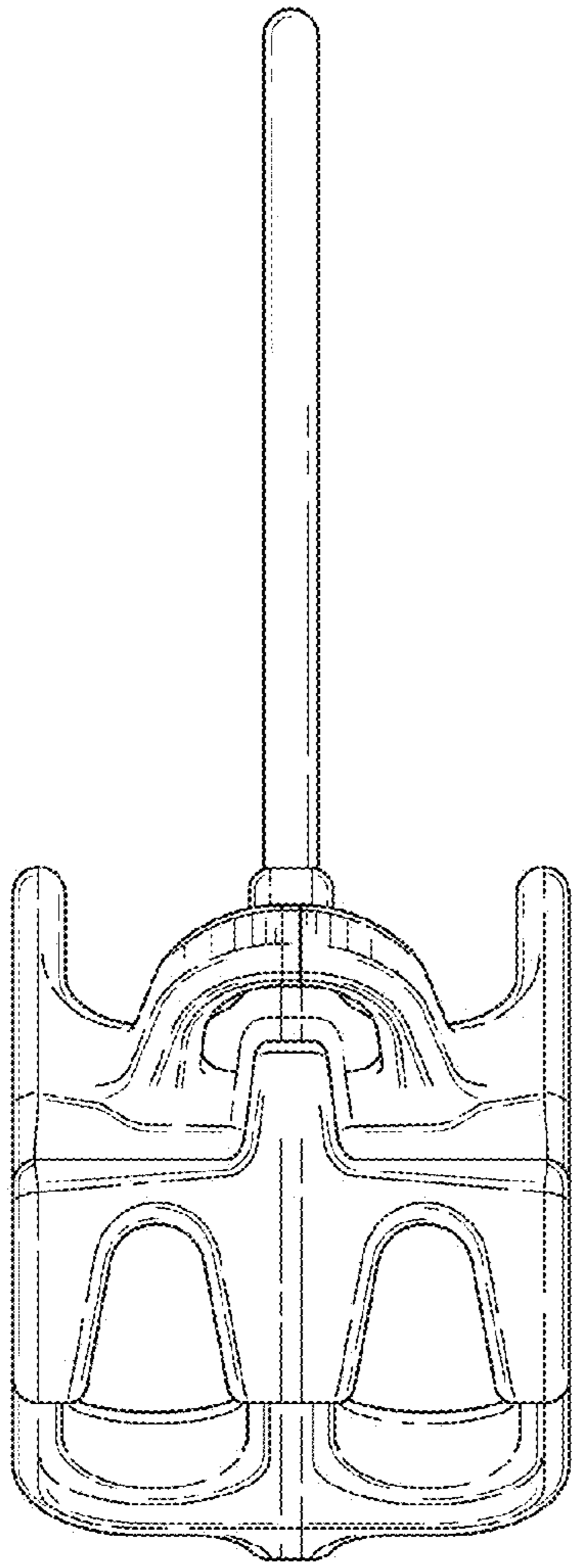


FIG. 7

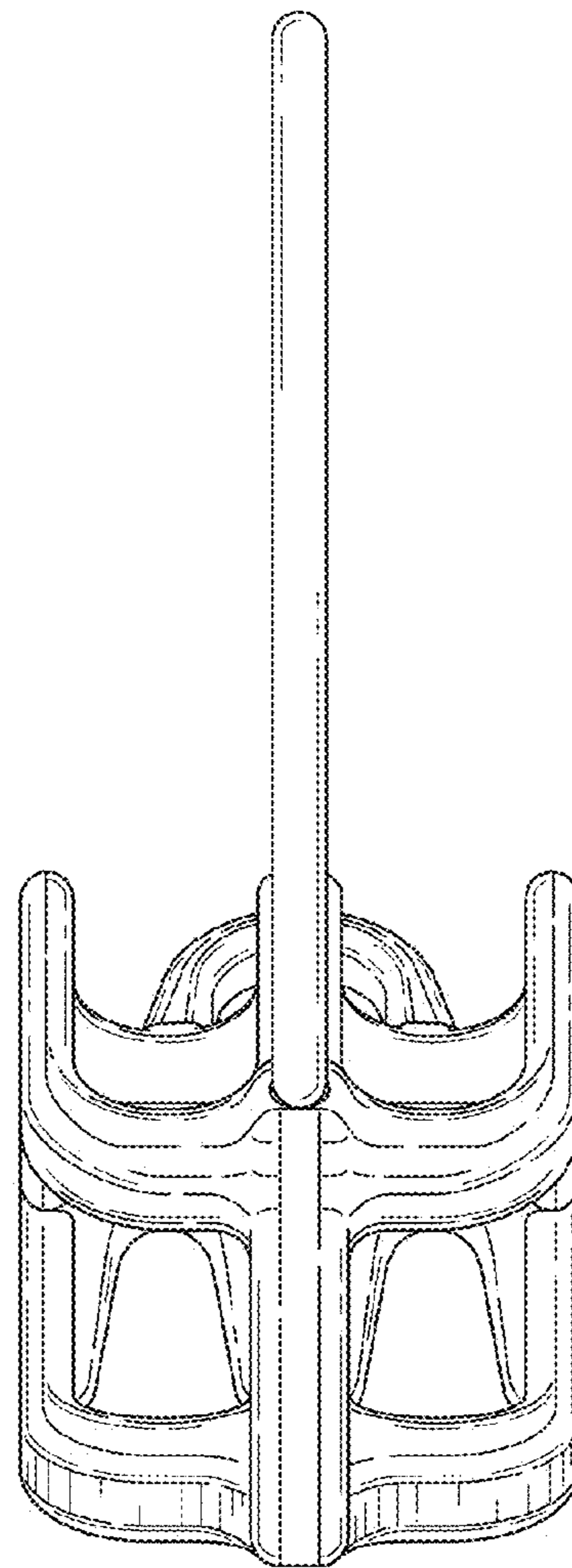


FIG. 8

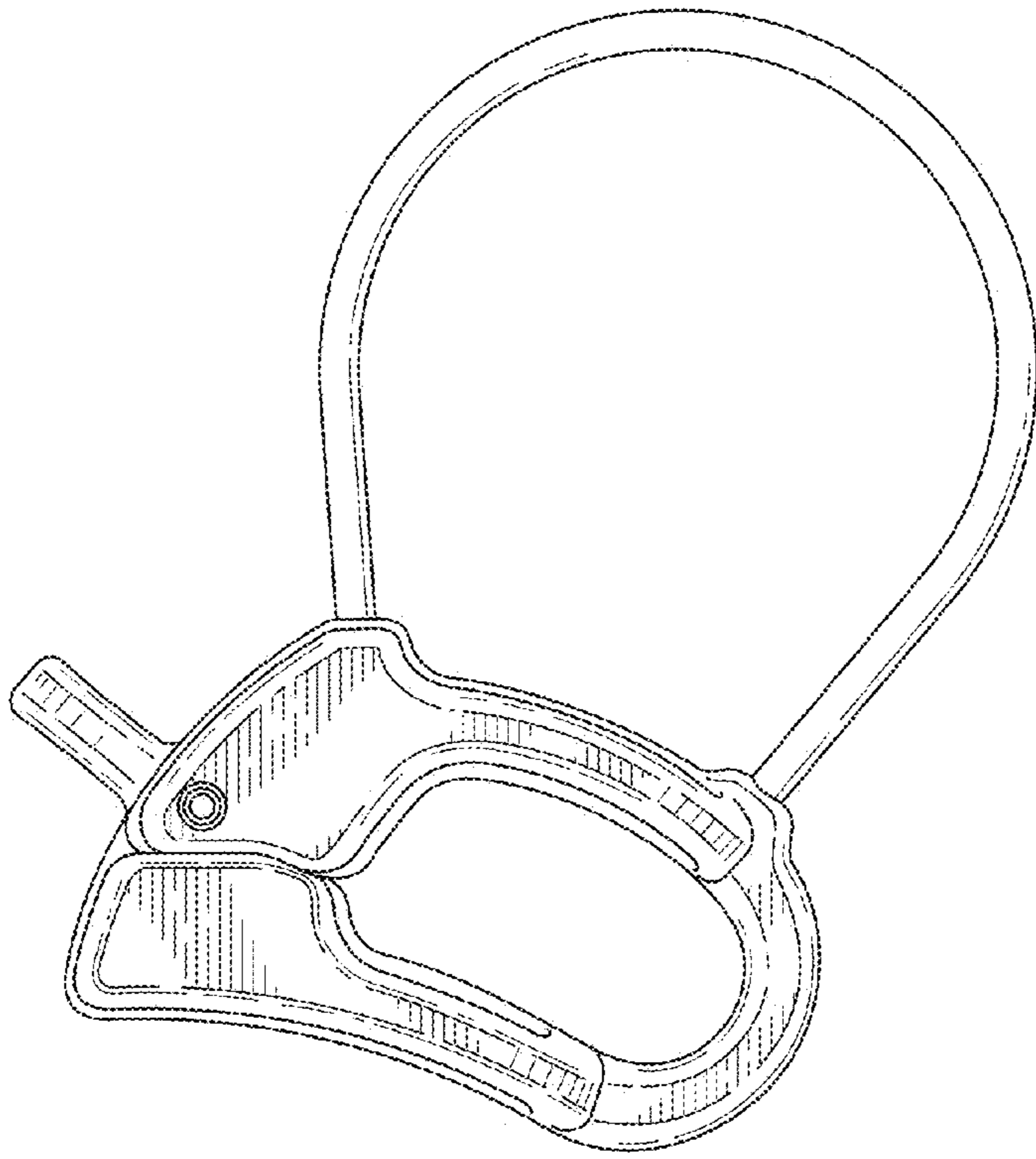


FIG. 9

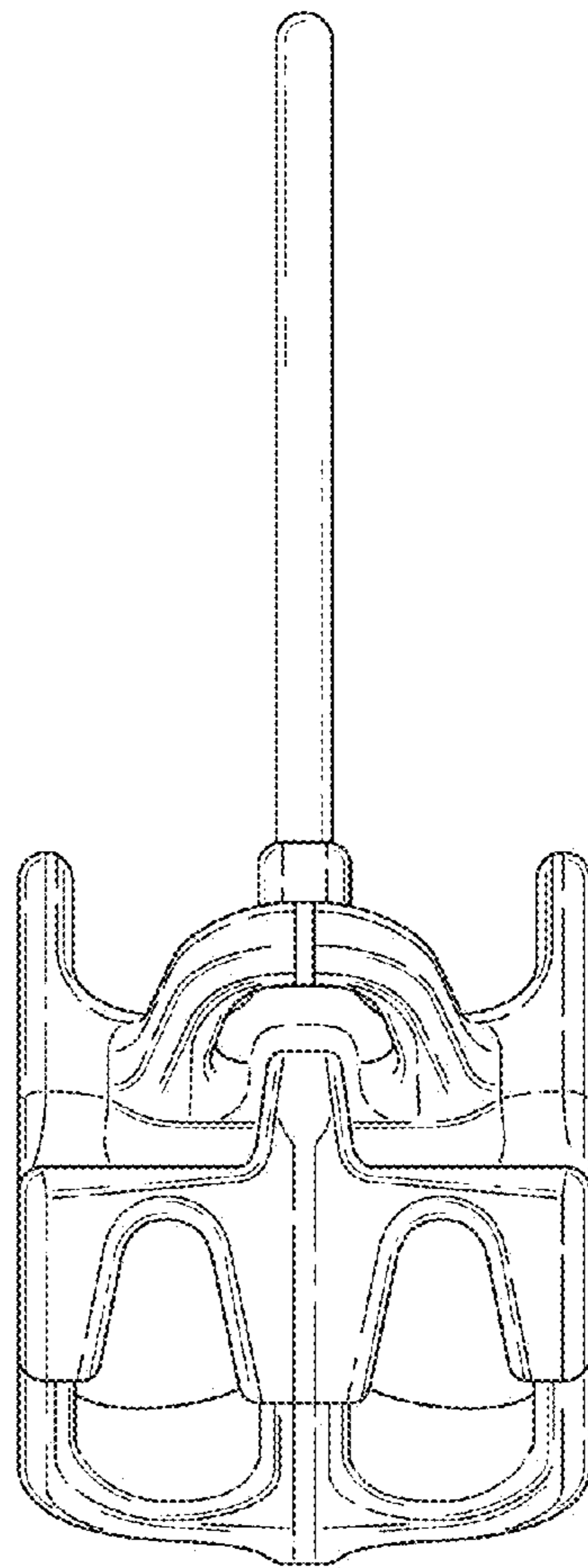


FIG. 10

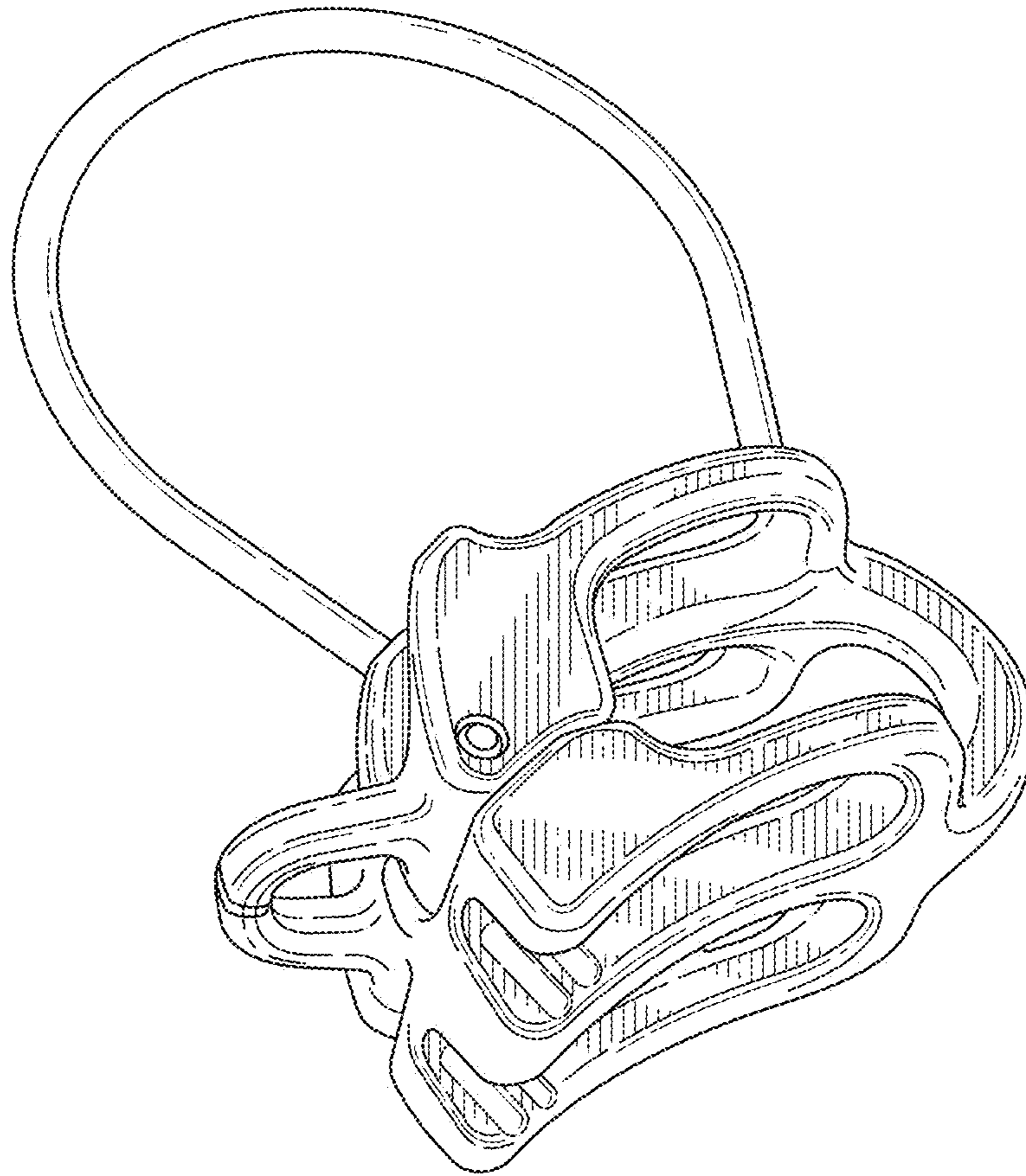


FIG. 11