



US00D763063S

(12) **United States Design Patent**
Welch

(10) **Patent No.:** **US D763,063 S**
(45) **Date of Patent:** **** Aug. 9, 2016**

- (54) **CABLE GUIDE**
- (71) Applicant: **Lee D. Welch**, Springfield, IL (US)
- (72) Inventor: **Lee D. Welch**, Springfield, IL (US)
- (**) Term: **14 Years**
- (21) Appl. No.: **29/503,511**
- (22) Filed: **Sep. 26, 2014**
- (51) **LOC (10) Cl.** **08-05**
- (52) **U.S. Cl.**
USPC **D8/356**
- (58) **Field of Classification Search**
USPC D8/356, 354, 349, 367; D13/133, 123;
174/53; 602/48; 24/306, 16 R;
D24/190; D3/327; 224/572; 2/170;
5/490; D12/317
CPC H04W 4/00
See application file for complete search history.

- 7,597,296 B2 * 10/2009 Conway A47B 47/05
248/229.16
- D619,940 S * 7/2010 Strang D12/159
- D682,222 S * 5/2013 Crucitti D13/155
- D691,877 S * 10/2013 Ganski D8/356
- D719,013 S * 12/2014 St. John D8/356
- D723,363 S * 3/2015 Symons D8/396

* cited by examiner

Primary Examiner — Cynthia Underwood
(74) *Attorney, Agent, or Firm* — Philip L. Bateman

(57) **CLAIM**
The ornamental design for a cable guide, as shown and described.

DESCRIPTION

FIG. 1 is a front and bottom perspective view of a first embodiment of a cable guide showing my new design; FIG. 2 is a front elevation view thereof; FIG. 3 is a top plan view thereof; FIG. 4 is a left side elevation view thereof; FIG. 5 is a right side elevation view thereof; FIG. 6 is a bottom plan view thereof; FIG. 7 is a rear elevation view thereof; FIG. 8 is a front and bottom perspective view of a second embodiment of a cable guide showing my new design; FIG. 9 is a front elevation view thereof; FIG. 10 is a top plan view thereof; FIG. 11 is a left side elevation view thereof; FIG. 12 is a right side elevation view thereof; FIG. 13 is a bottom plan view thereof; and, FIG. 14 is a rear elevation view thereof.

1 Claim, 2 Drawing Sheets

(56) **References Cited**

U.S. PATENT DOCUMENTS

- 3,123,879 A * 3/1964 Boduroff et al. E04C 5/122
174/84 S
- 5,027,478 A 7/1991 Suhr
- D372,419 S * 8/1996 Ikegami D8/382
- D395,815 S * 7/1998 Walters D8/354
- 6,552,270 B1 4/2003 Heacox
- D482,269 S * 11/2003 Martello D8/356
- D484,783 S * 1/2004 Woodhall D8/356
- 6,710,249 B1 3/2004 Denton
- D601,879 S 10/2009 Kim et al.

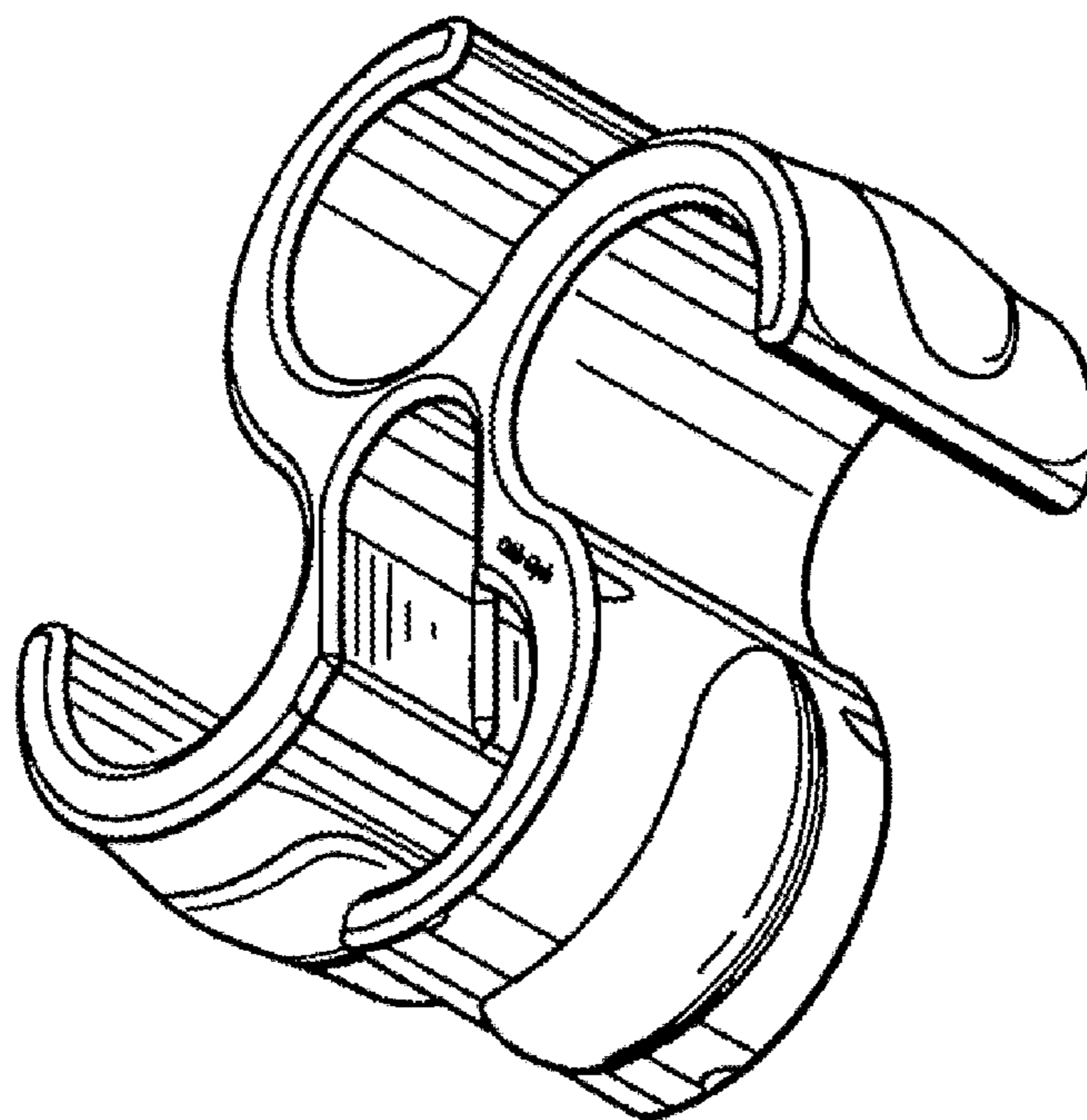


Fig. 1

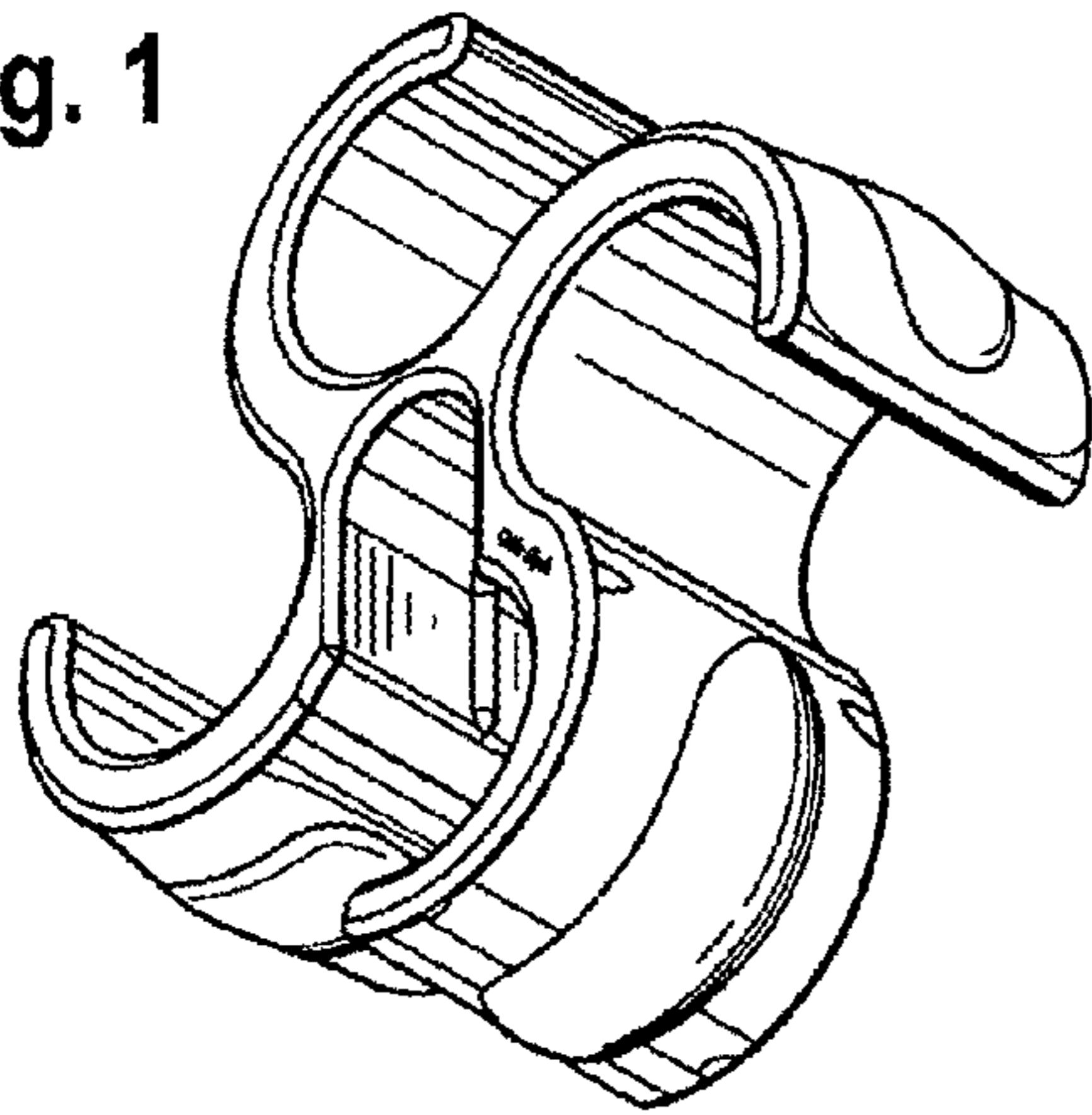


Fig. 7

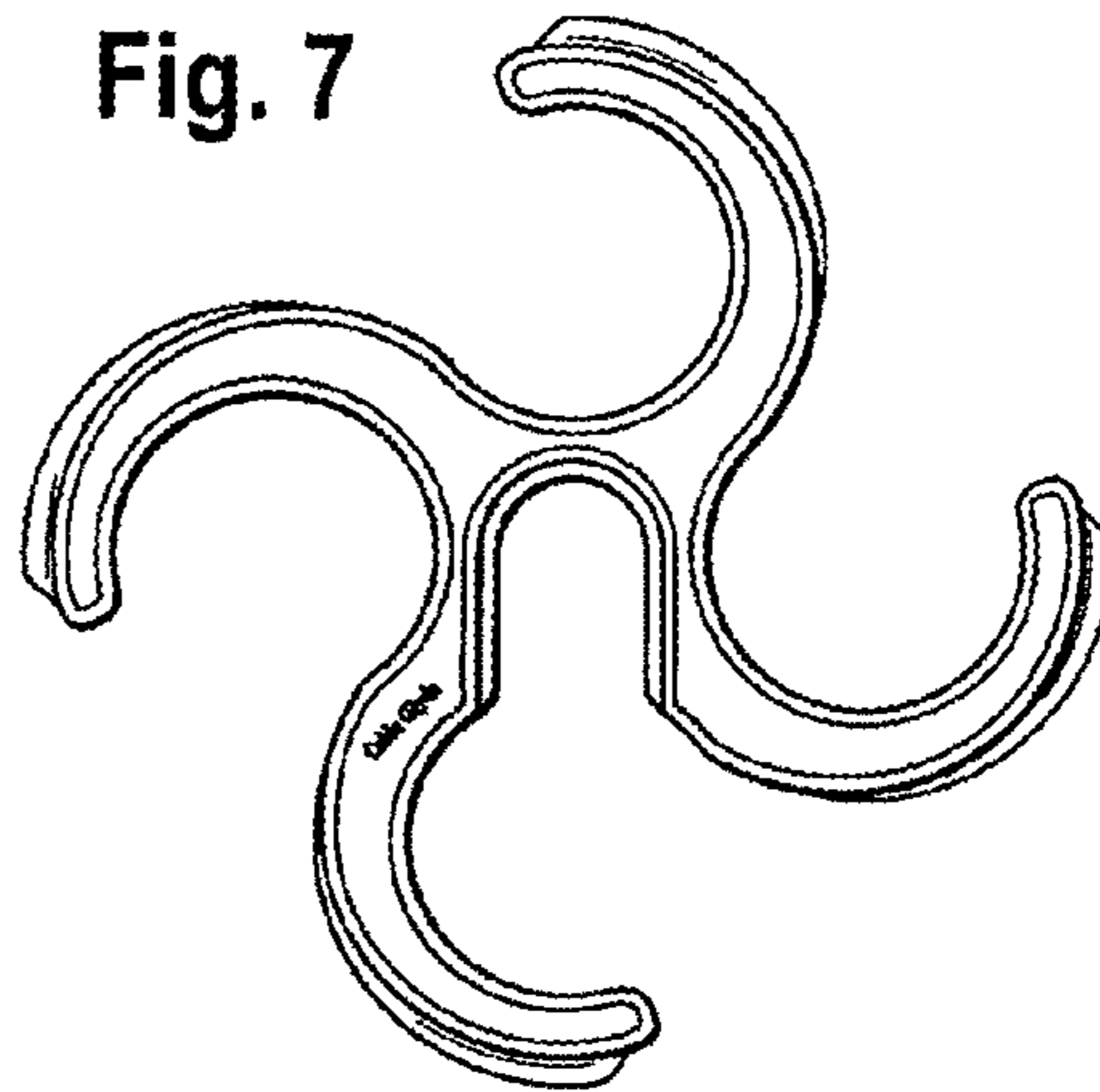


Fig. 3

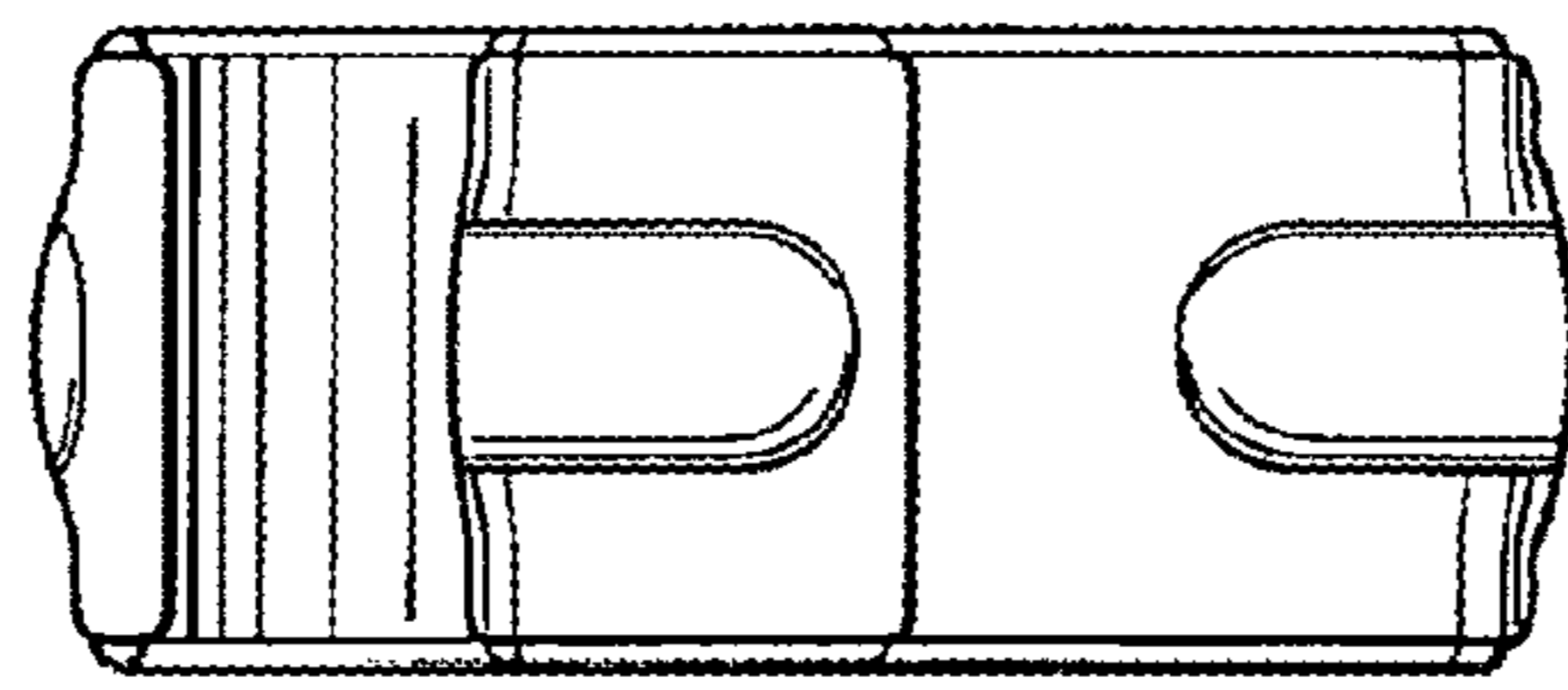


Fig. 4

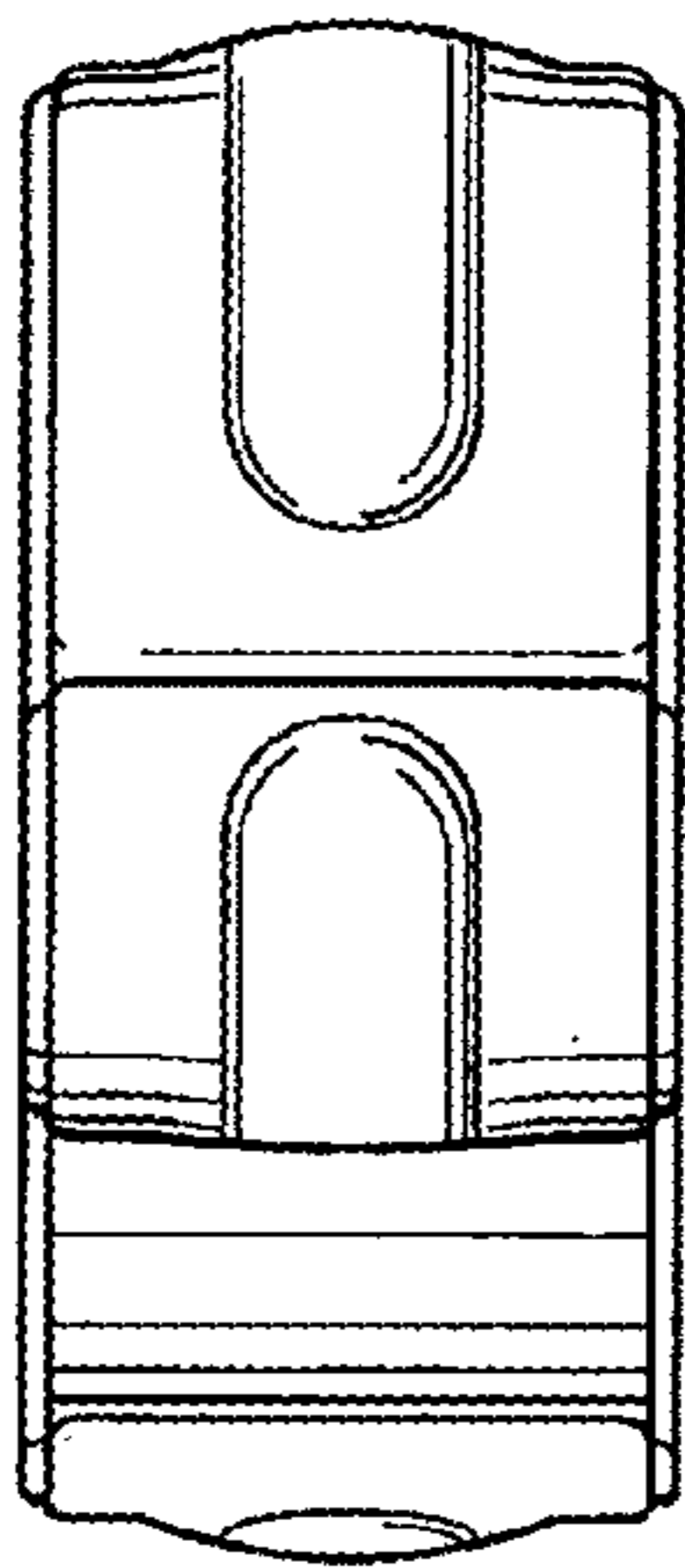


Fig. 2

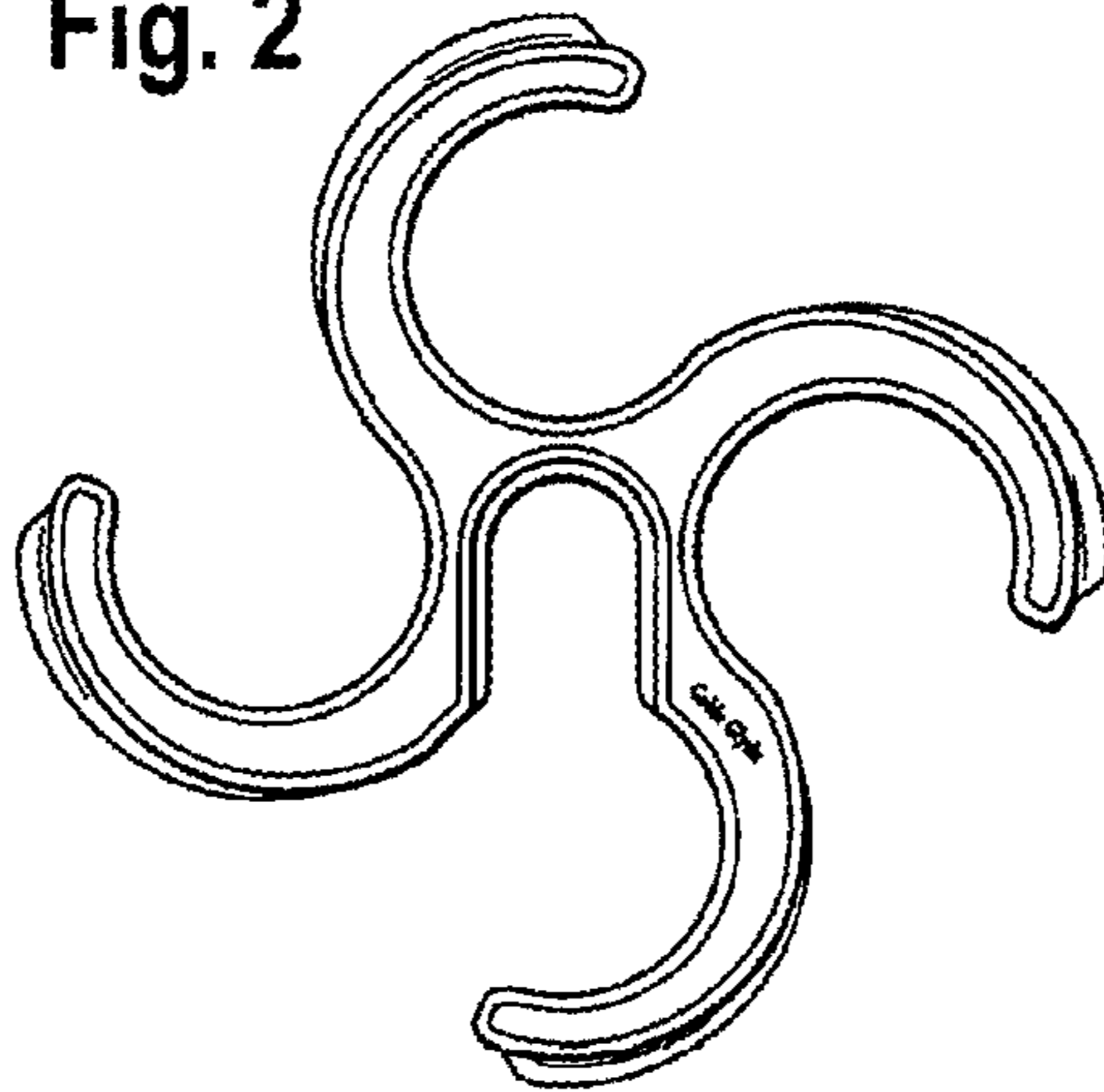


Fig. 5

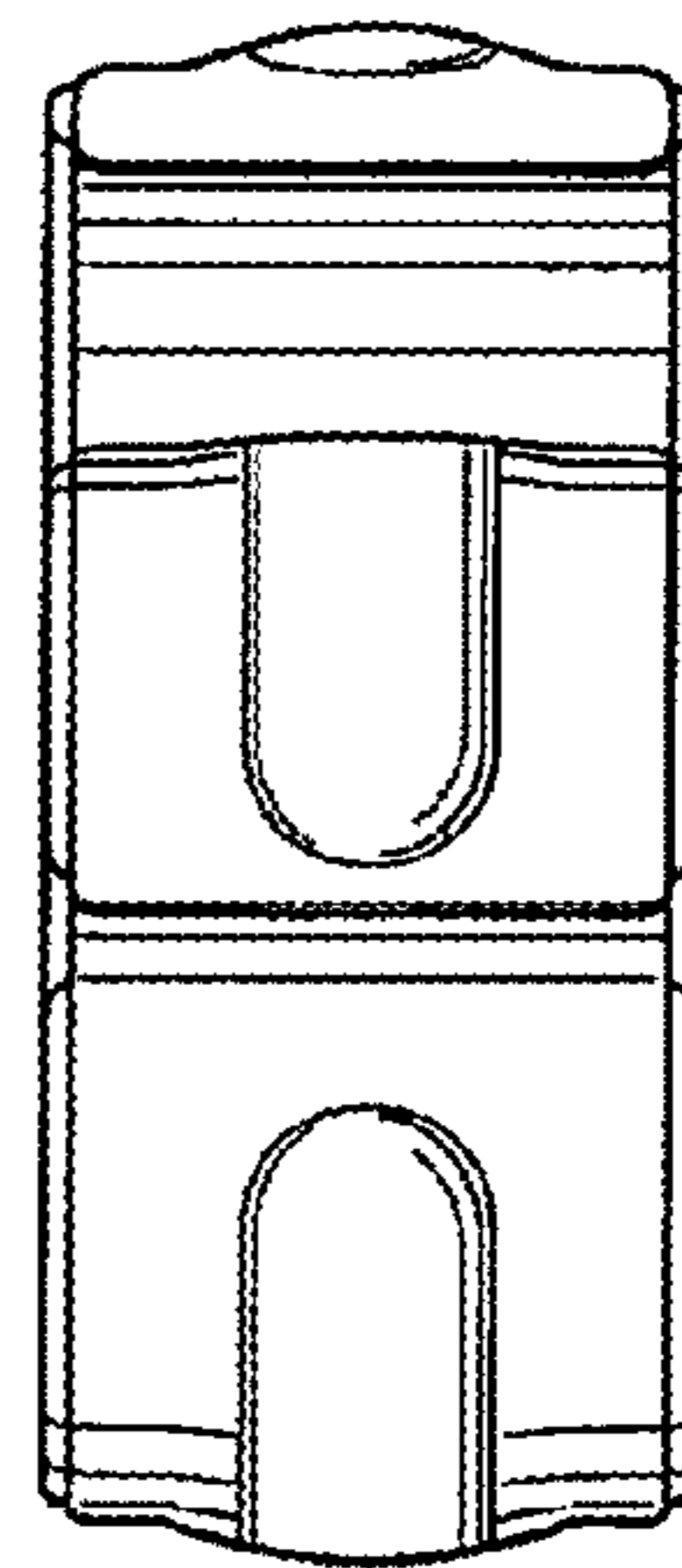


Fig. 6

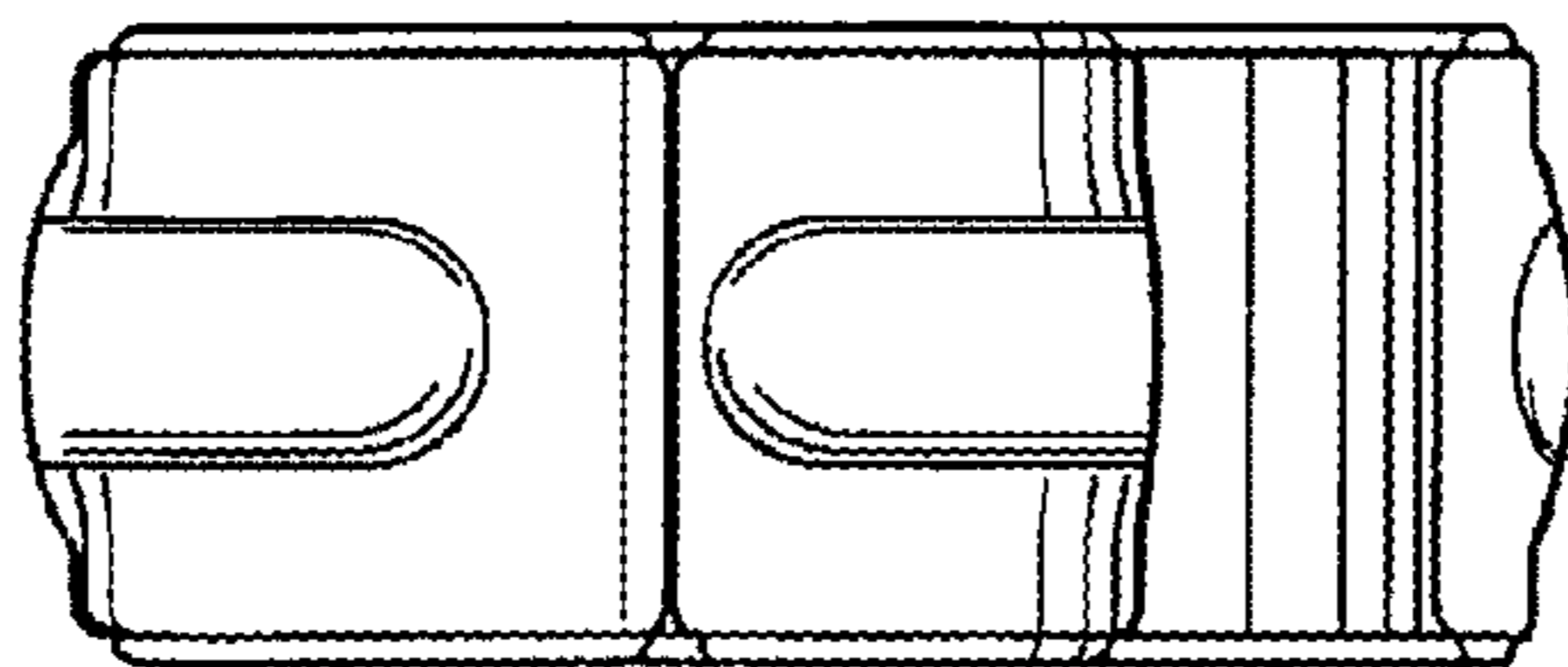


Fig. 8

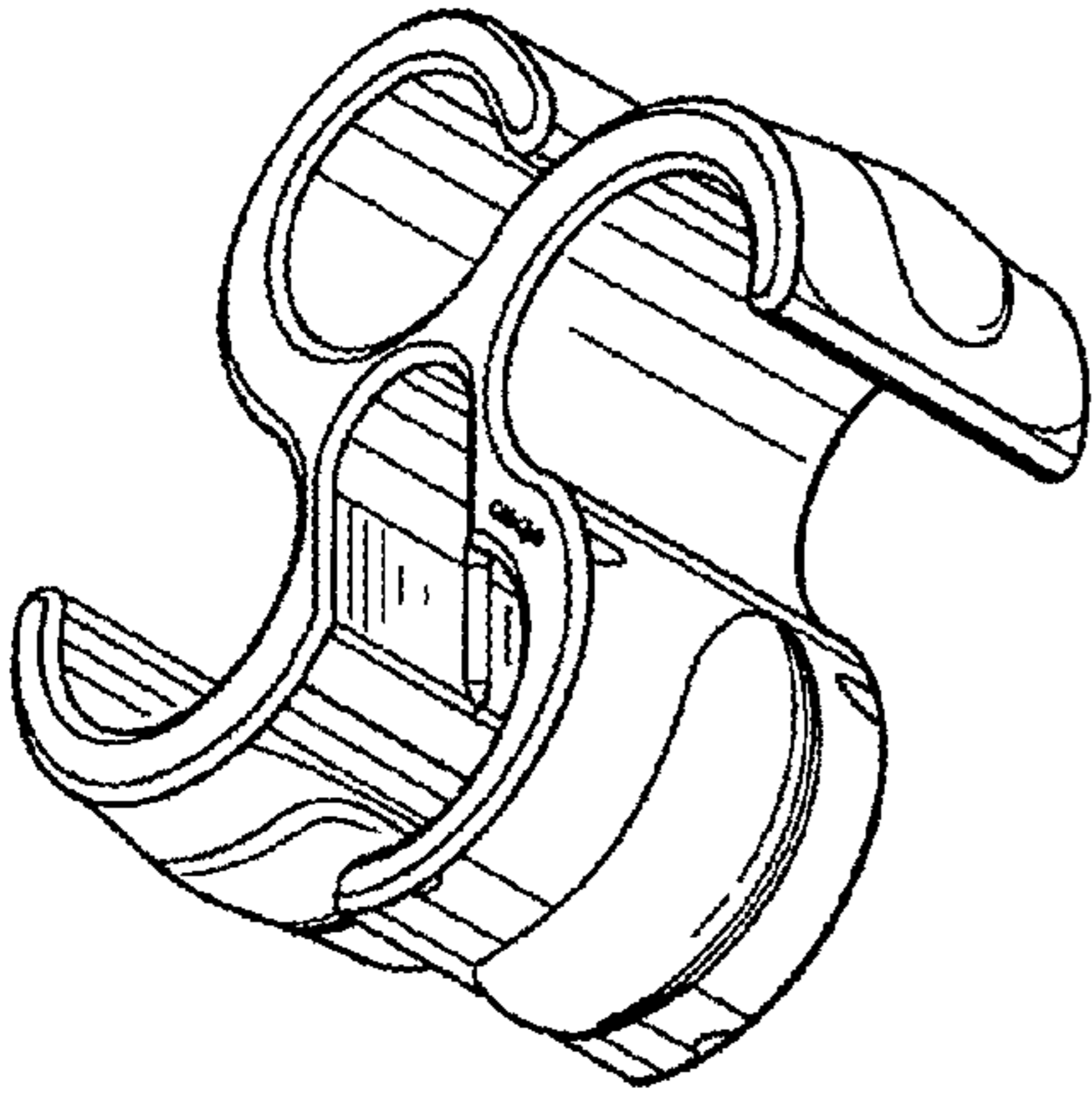


Fig. 14

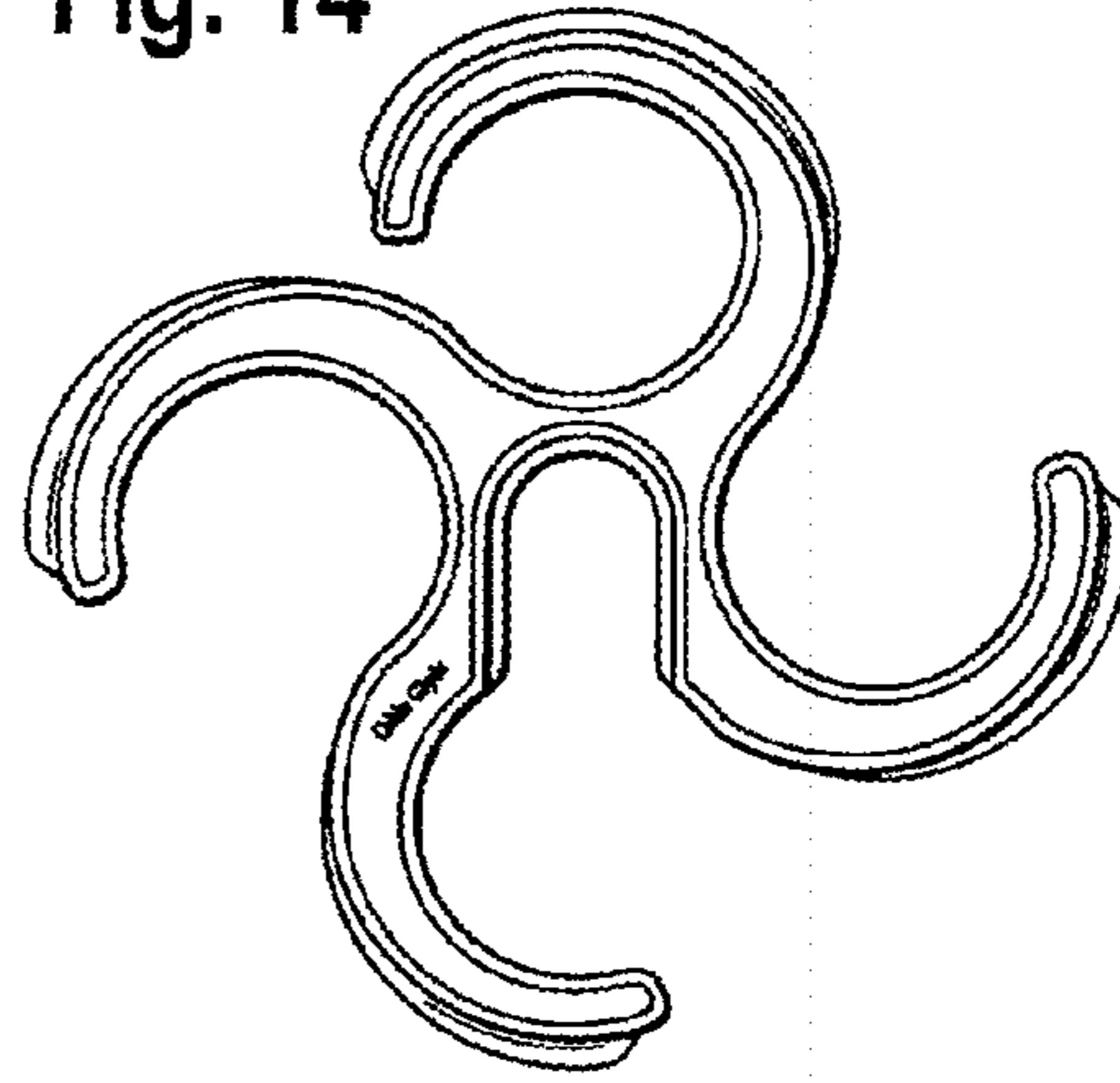


Fig. 10

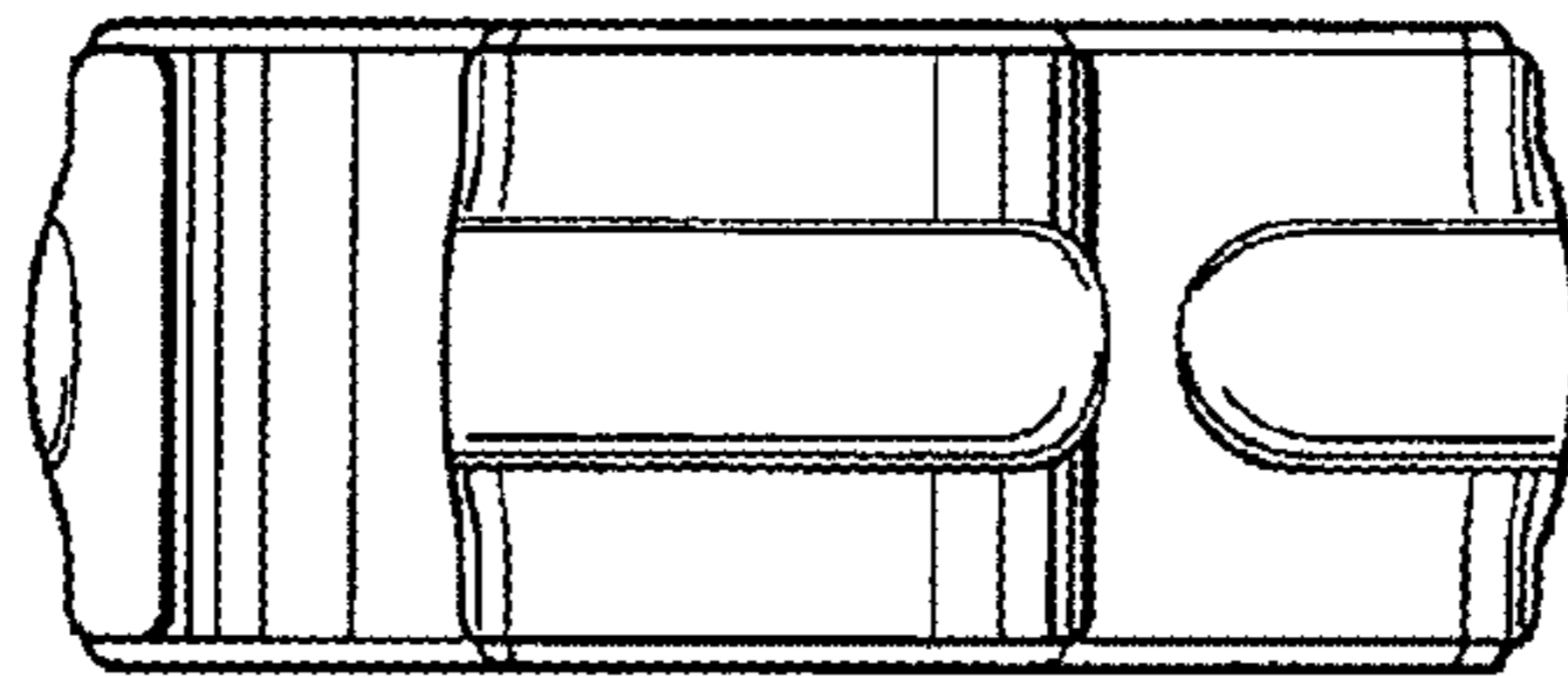


Fig. 11

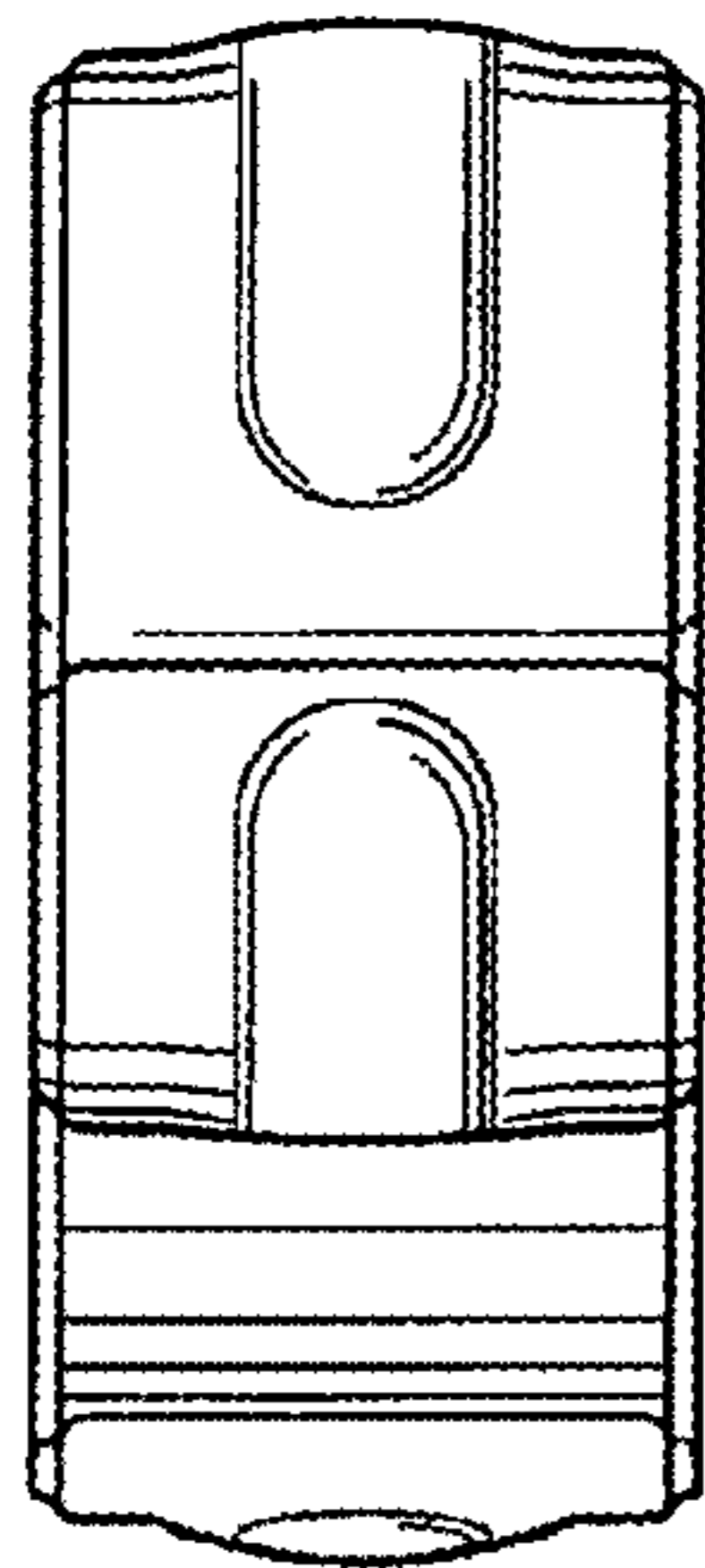


Fig. 12

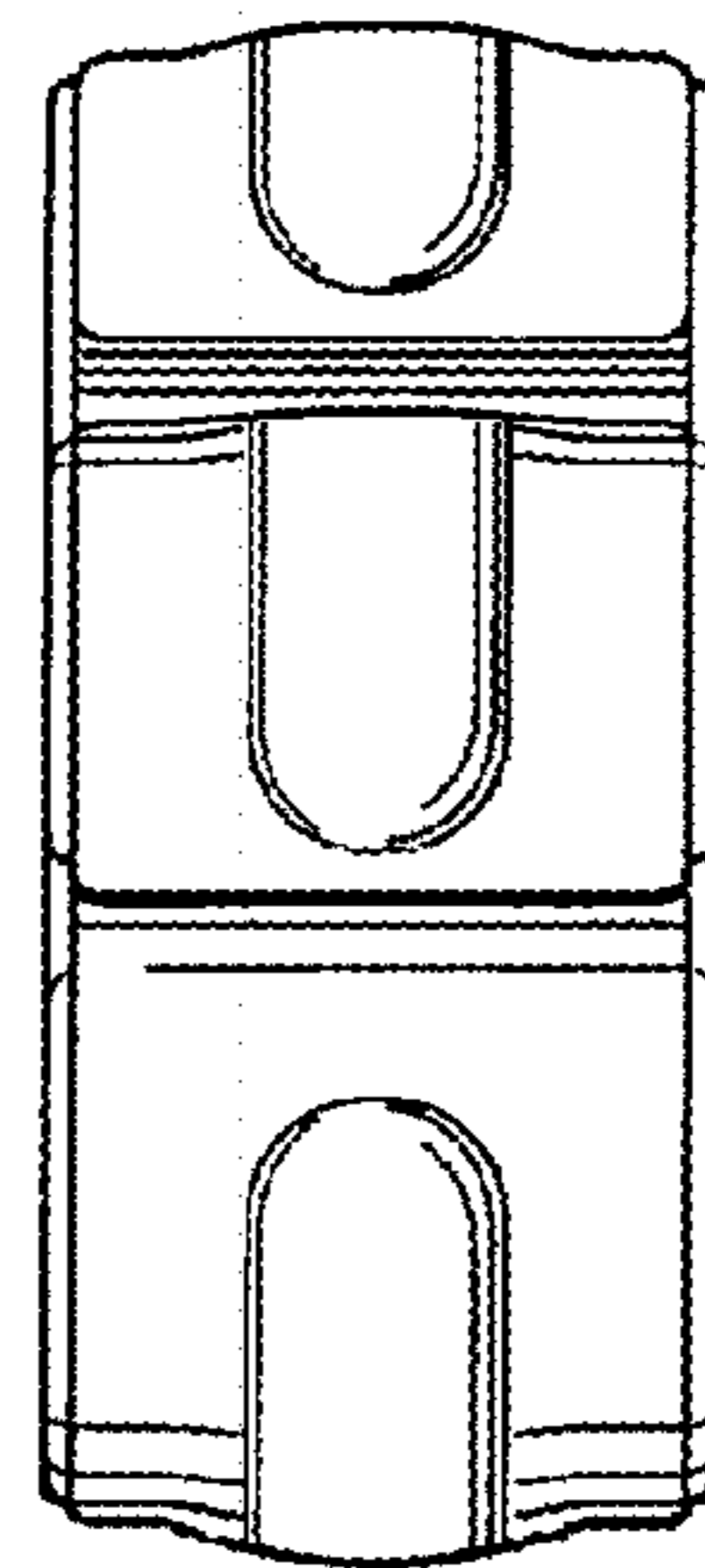


Fig. 9

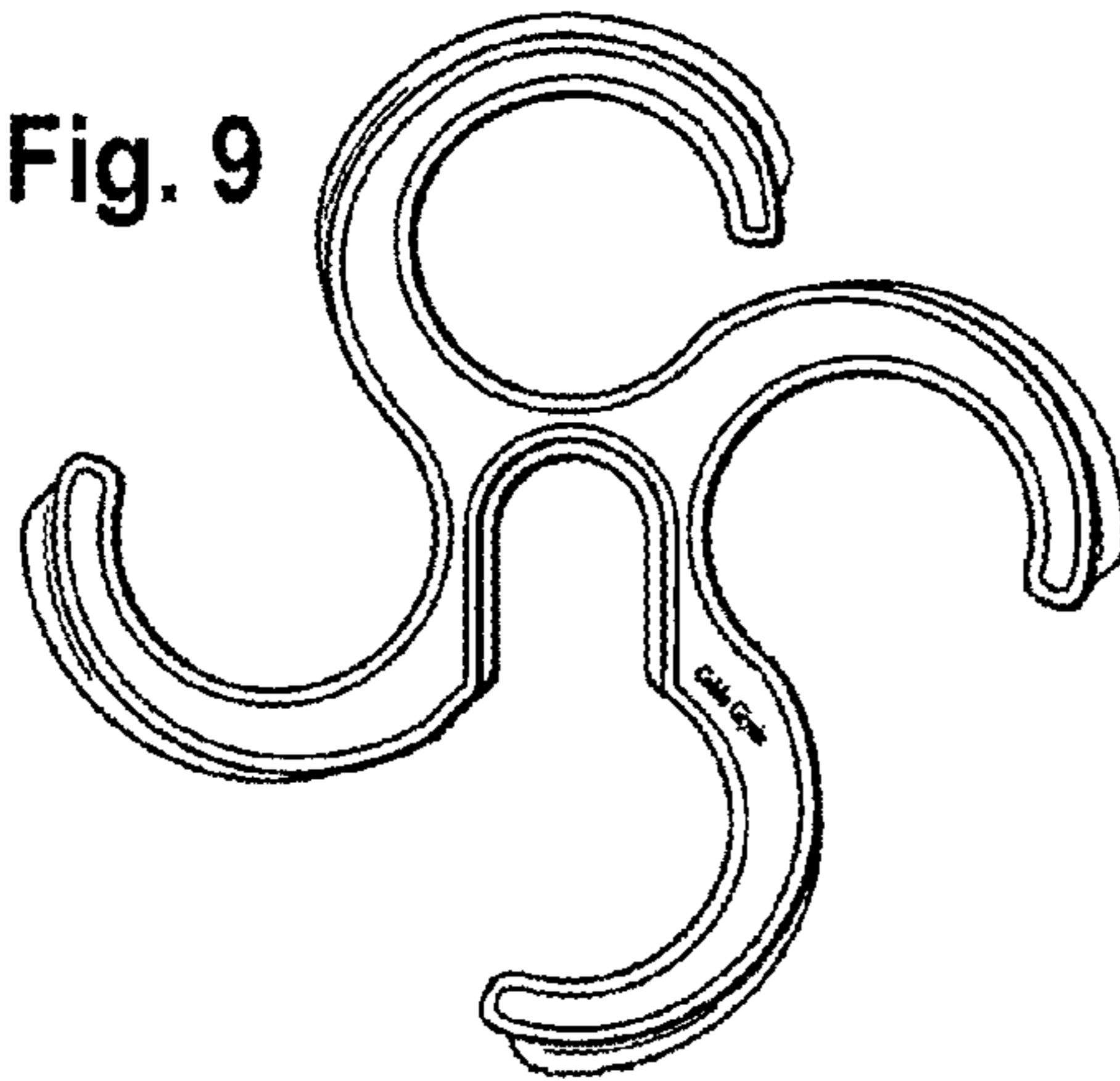


Fig. 13

