

US00D763061S

(12) **United States Design Patent**  
**Ezell**

(10) **Patent No.:** **US D763,061 S**  
(45) **Date of Patent:** **\*\* Aug. 9, 2016**

- (54) **WALL STUD INSERT SHIELD**
- (71) Applicant: **Timothy Jarome Ezell**, Climax, GA (US)
- (72) Inventor: **Timothy Jarome Ezell**, Climax, GA (US)
- (\*\*) Term: **14 Years**
- (21) Appl. No.: **29/523,142**
- (22) Filed: **Apr. 7, 2015**
- (51) **LOC (10) Cl.** ..... **08-08**
- (52) **U.S. Cl.**  
USPC ..... **D8/349**
- (58) **Field of Classification Search**  
USPC ..... D8/349, 354, 356; D13/155, 156;  
52/220.8, 220.1, 834; 174/505, 507;  
16/2.1  
CPC ..... E04B 2/7457; E04B 2/80; E04B 2/74;  
E04B 2002/7488; E04C 2/52; H02G 3/0481;  
H02G 3/22; H02G 3/26; E04G 21/30; E04G  
21/24; Y10T 16/05; Y10T 16/063; F16L 5/00  
See application file for complete search history.

- 5,118,057 A \* 6/1992 Martin ..... H02G 3/065  
174/153 G
- 5,238,344 A \* 8/1993 Nagayama ..... F16B 37/048  
411/113
- D375,250 S \* 11/1996 Dollins ..... D8/356
- 5,595,453 A \* 1/1997 Nattel ..... E04C 3/32  
174/136
- 6,099,527 A \* 8/2000 Hochschuler ..... A61B 17/82  
606/279
- 6,139,237 A \* 10/2000 Nagayama ..... F16B 37/048  
411/176
- 6,779,232 B2 \* 8/2004 Cerul ..... E04B 2/80  
16/2.1
- 6,901,628 B2 \* 6/2005 Cerul ..... E04B 2/80  
16/2.1
- 8,069,623 B2 \* 12/2011 Colwell ..... H02G 3/22  
285/192
- 8,191,323 B2 6/2012 Turner
- 8,438,803 B2 \* 5/2013 Turner ..... E04B 2/7457  
52/220.8
- D740,233 S \* 10/2015 Johnson ..... D13/156
- 2003/0126824 A1 \* 7/2003 Jensen ..... H02G 3/30  
52/715
- 2003/0159242 A1 \* 8/2003 Cerul ..... E04B 2/80  
16/2.1
- 2004/0226131 A1 \* 11/2004 Cervl ..... E04B 2/80  
16/2.1
- 2013/0247487 A1 \* 9/2013 Turner ..... E04B 2/7457  
52/220.8

(56) **References Cited**

U.S. PATENT DOCUMENTS

- 568,687 A \* 9/1896 Kempshall ..... F16L 5/00  
16/2.1
- 1,080,257 A \* 12/1913 Bruchsaler ..... H02G 3/083  
174/153 G
- 2,901,800 A \* 9/1959 Koehl ..... F16B 19/10  
16/2.1
- 3,211,824 A 10/1965 Heiman
- 3,211,825 A 10/1965 Clos
- 3,297,815 A 1/1967 Drettman
- 3,350,501 A 10/1967 Jureit
- 3,689,681 A \* 9/1972 Searer et al. .... H02G 3/26  
174/135
- D231,769 S \* 6/1974 Searer et al. .... 174/135
- 4,050,205 A 9/1977 Ligda
- 4,924,646 A \* 5/1990 Marquardt ..... H02G 3/22  
174/505
- 4,930,733 A \* 6/1990 Logsdon ..... F16L 3/04  
248/56
- 5,079,389 A \* 1/1992 Nelson ..... H02G 3/22  
16/2.1

\* cited by examiner

*Primary Examiner* — Mark Goodwin

(74) *Attorney, Agent, or Firm* — Brian D. Bellamy

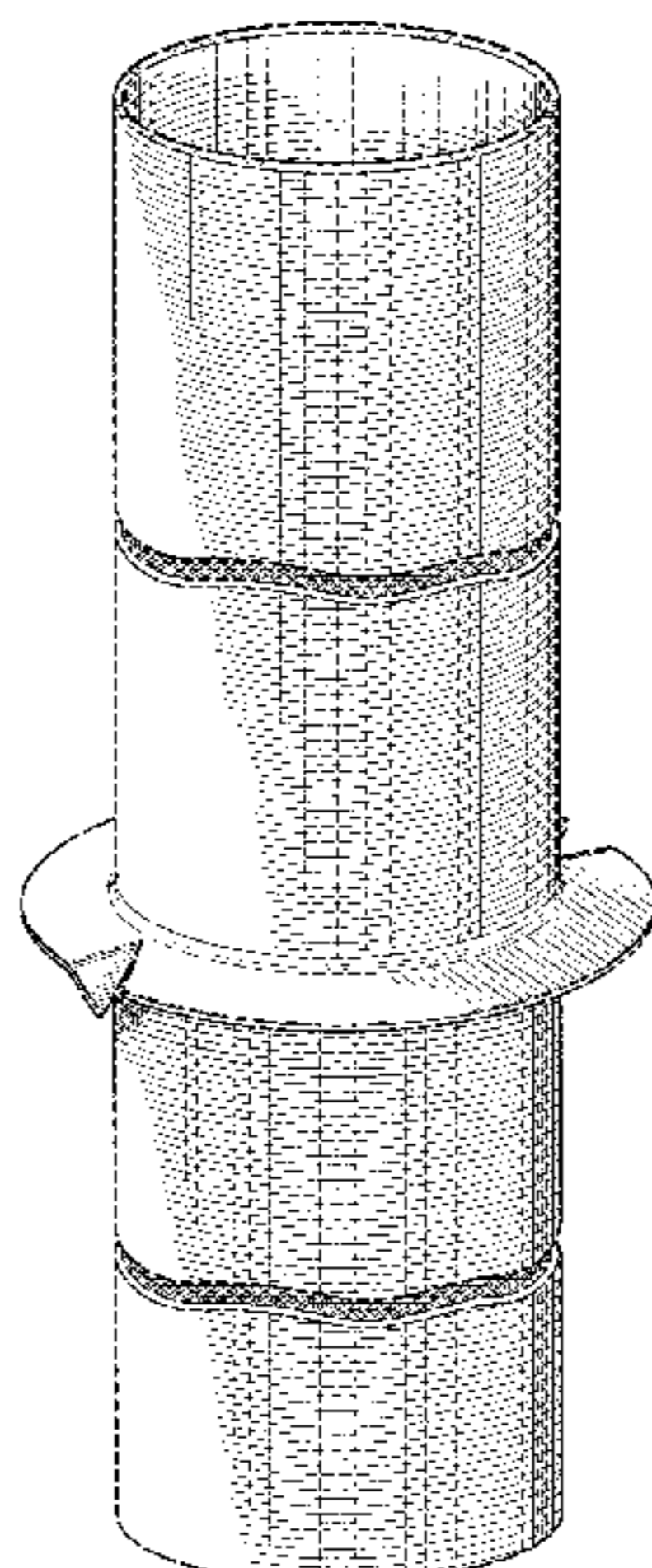
(57) **CLAIM**

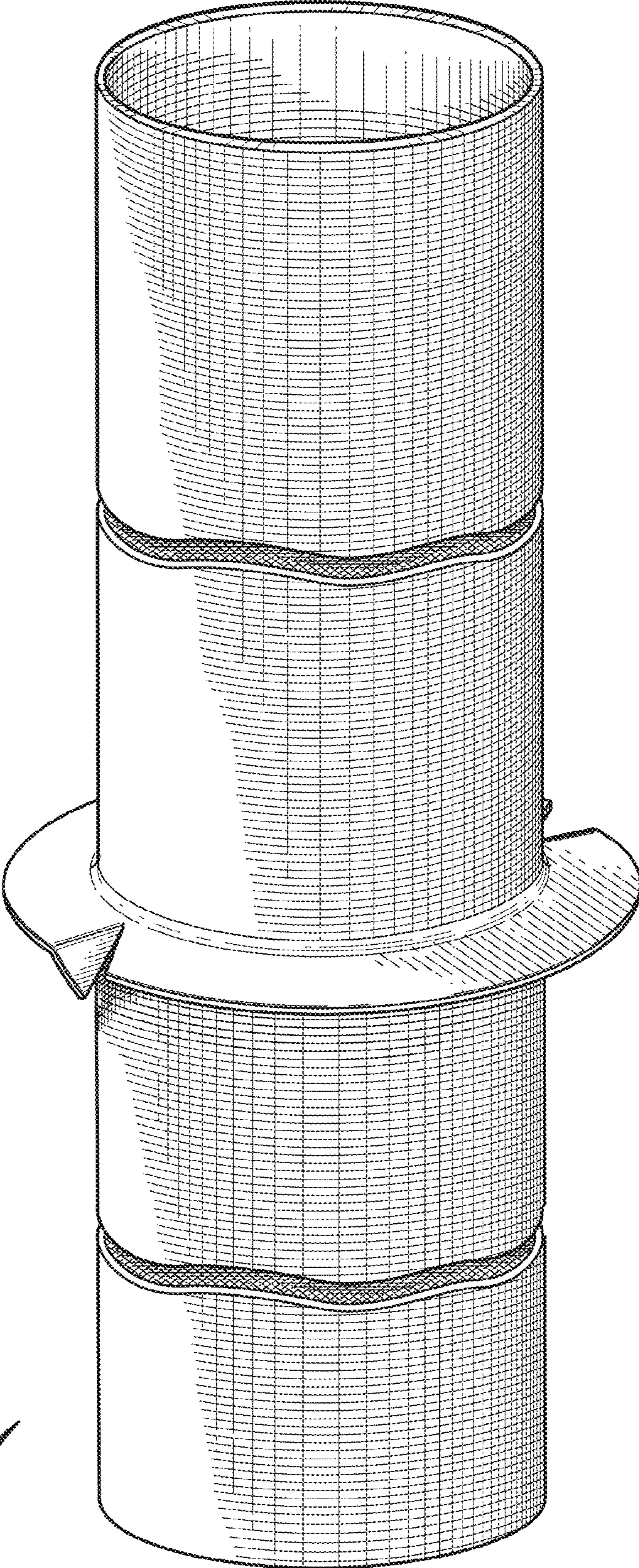
The ornamental design for a wall stud insert shield, as shown.

**DESCRIPTION**

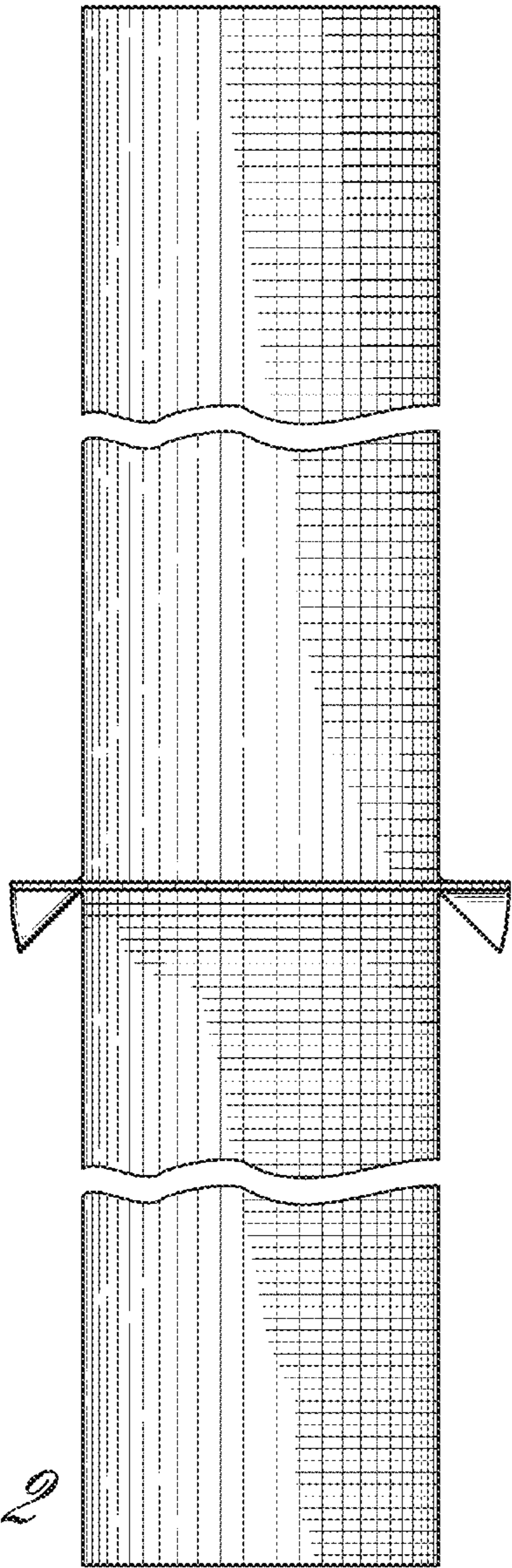
FIG. 1 is a side, front and top perspective view of a wall stud insert shield, showing my new design, the upper and lower portion shown broken apart to indicate indeterminate length; FIG. 2 is a front elevation view thereof, whereas the rear is an identical mirror image; FIG. 3 is a right side elevation view thereof, whereas the left side is an identical mirror image; FIG. 4 is a top plan view thereof; and, FIG. 5 is a bottom plan view thereof.

**1 Claim, 3 Drawing Sheets**

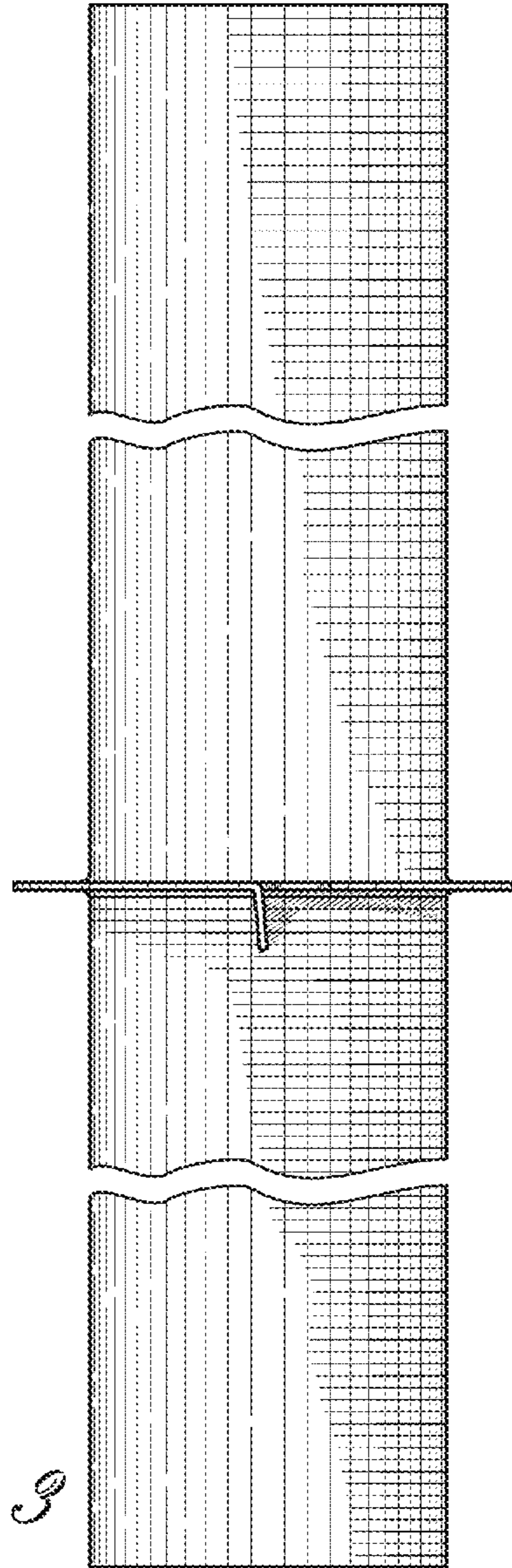




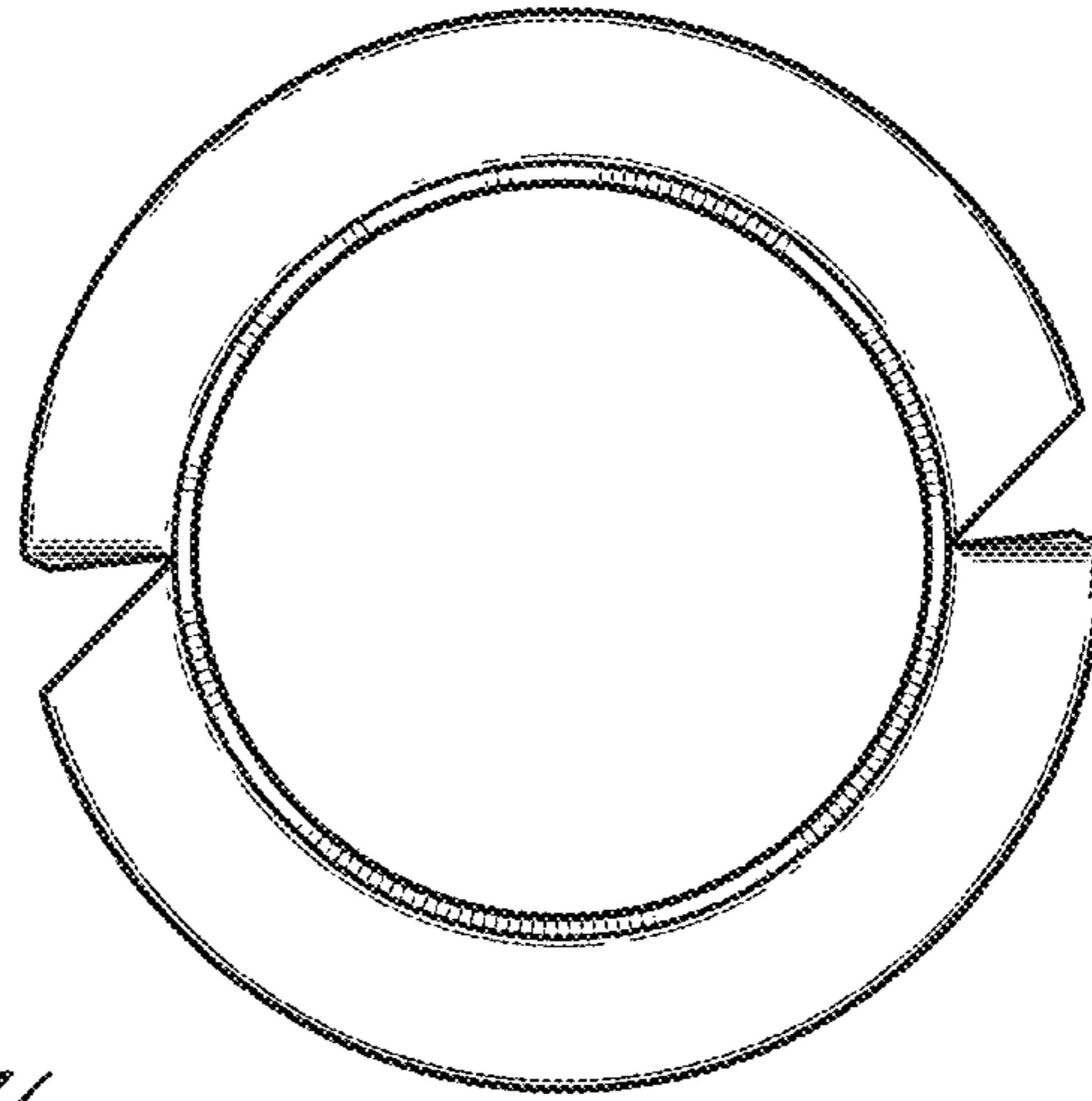
*Fig. 1*



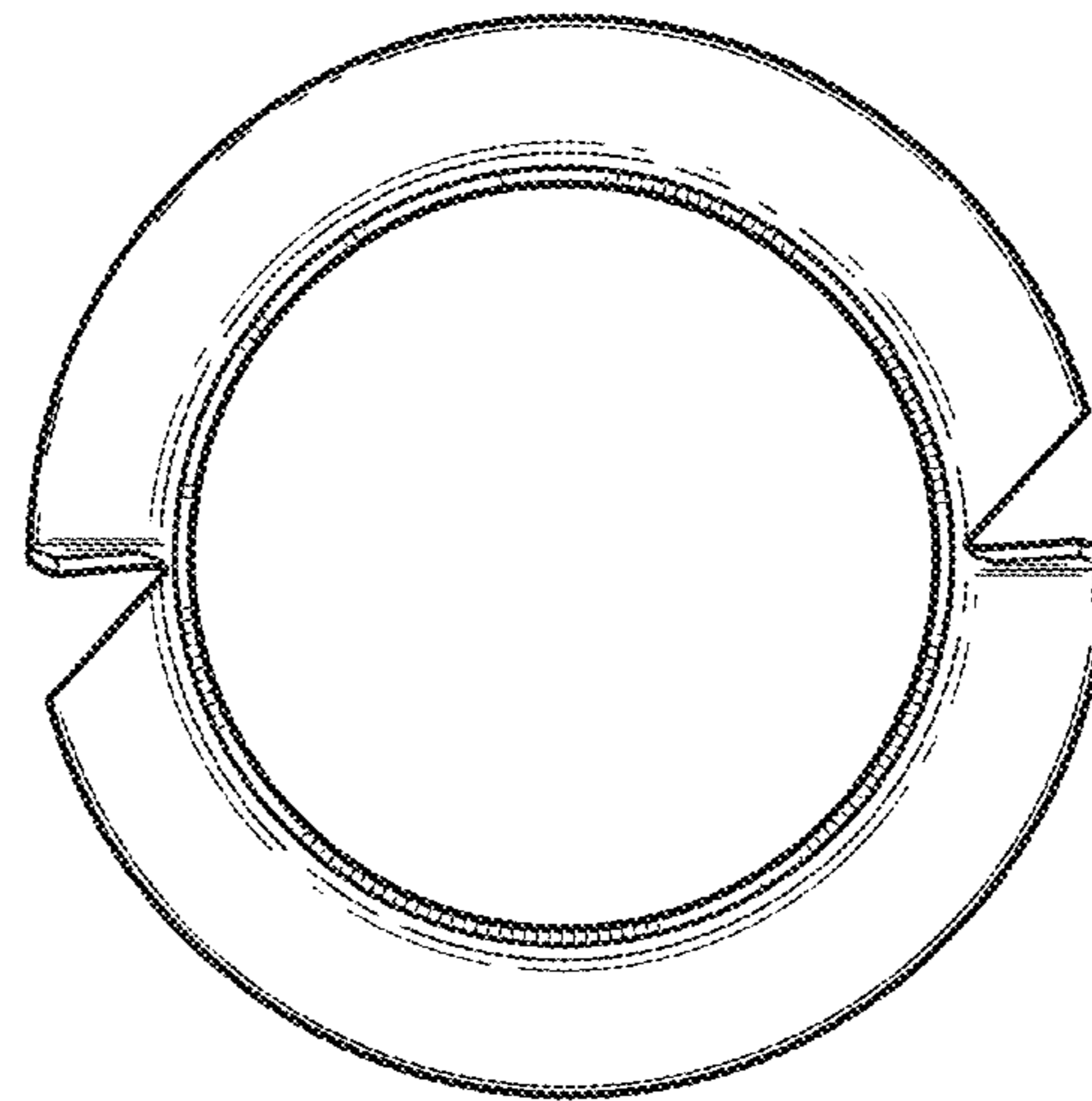
*Fig. 2*



*Fig. 3*



*Fig. 4*



*Fig. 5*