



US00D763058S

(12) **United States Design Patent**  
**Soper et al.**

(10) **Patent No.:** **US D763,058 S**  
(45) **Date of Patent:** **\*\* Aug. 9, 2016**

(54) **LOCK FOR AN ACCESSORY MOUNT**

6,447,139	B1 *	9/2002	Wilkes .....	E05B 17/10
				362/100
D482,995	S *	12/2003	Saleen .....	D12/184
7,336,150	B2 *	2/2008	Gokcebay .....	E05B 47/06
				340/5.2
D576,017	S *	9/2008	Hatton .....	D8/331
D600,998	S *	9/2009	De Maria .....	D8/336
D620,340	S *	7/2010	Liljeqvist .....	D8/330
D675,900	S *	2/2013	Lin .....	D8/339
D734,650	S *	7/2015	Kodama .....	D8/330
D738,193	S *	9/2015	Master .....	D8/354

(71) Applicant: **TASER International, Inc.**, Scottsdale, AZ (US)

(72) Inventors: **William J. Soper**, Bristol (GB); **Nathan A. Patulski**, Scottsdale, AZ (US)

(73) Assignee: **TASER International, Inc.**, Scottsdale, AZ (US)

\* cited by examiner

(\*\*) Term: **15 Years**

*Primary Examiner* — Prabhakar Deshmukh

(21) Appl. No.: **29/531,024**

(74) *Attorney, Agent, or Firm* — Lawrence Letham

(22) Filed: **Jun. 23, 2015**

(51) **LOC (10) Cl.** ..... **08-07**

(52) **U.S. Cl.**  
USPC ..... **D8/330**

(58) **Field of Classification Search**  
USPC ..... D8/330, 331, 336, 338, 339, 340, 343, D8/354; 70/14, 2, 51, 57, 57.1, 91, 107, 70/141; 292/2, 32, 137, 288, 289, 290, 292/292  
CPC ..... G05B 19/00; G05B 15/00; E05B 49/00; E05B 9/00; E05B 17/00; E05B 37/00  
See application file for complete search history.

(57) **CLAIM**

The ornamental design for a lock for an accessory mount, as shown and described.

**DESCRIPTION**

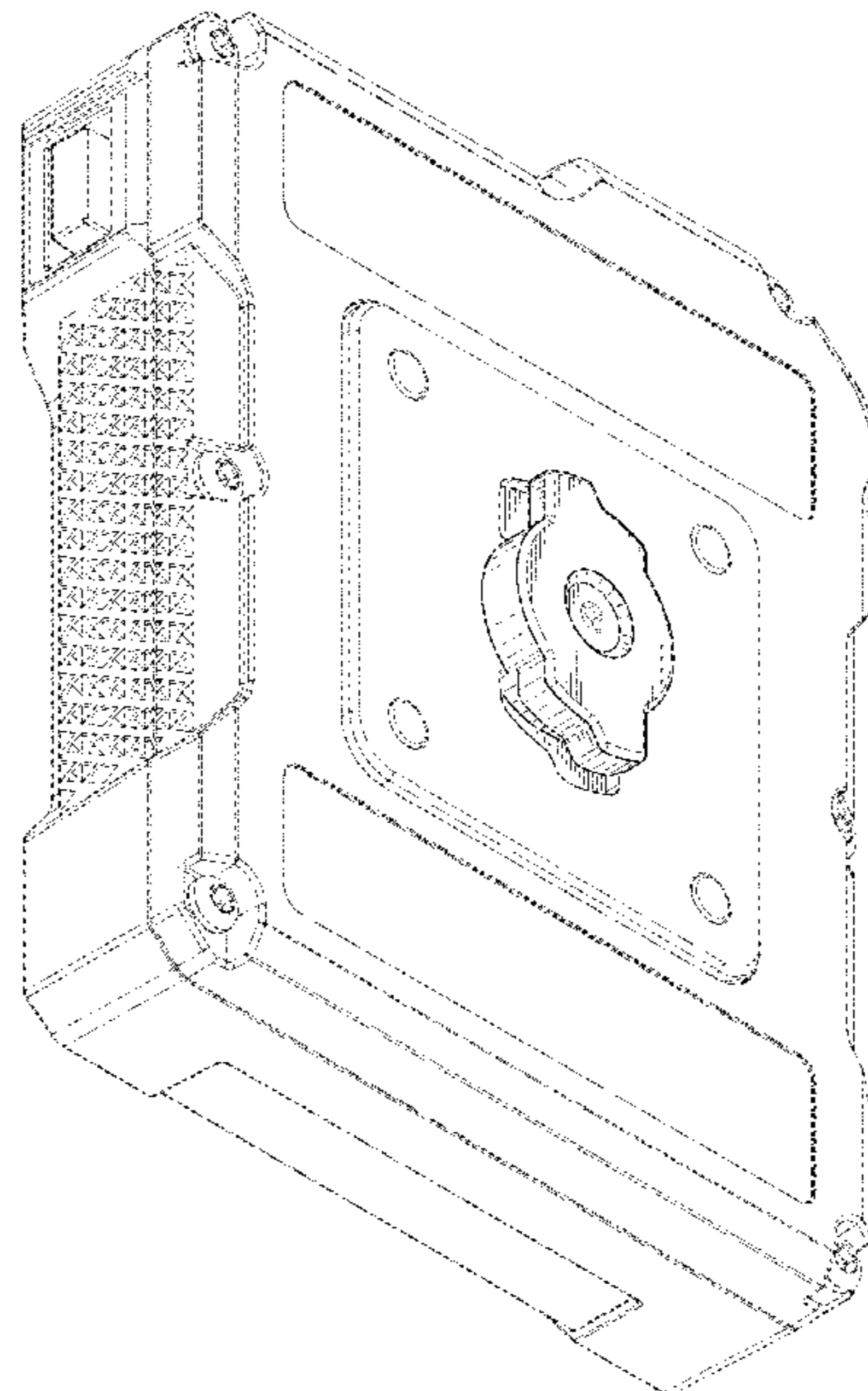
FIG. 1 is a left rear isometric view of a lock for an accessory mount according to our new design;  
FIG. 2 is a rear view of the lock for an accessory mount shown in FIG. 1;  
FIG. 3 is a top view of the lock for an accessory mount shown in FIG. 1;  
FIG. 4 is a bottom view of the lock for an accessory mount shown in FIG. 1;  
FIG. 5 is a left side view of the lock for an accessory mount shown in FIG. 1; and,  
FIG. 6 is a right side view of the lock for an accessory mount shown in FIG. 1.  
The broken lines show portions of the lock for an accessory mount that form no part of the claimed design.

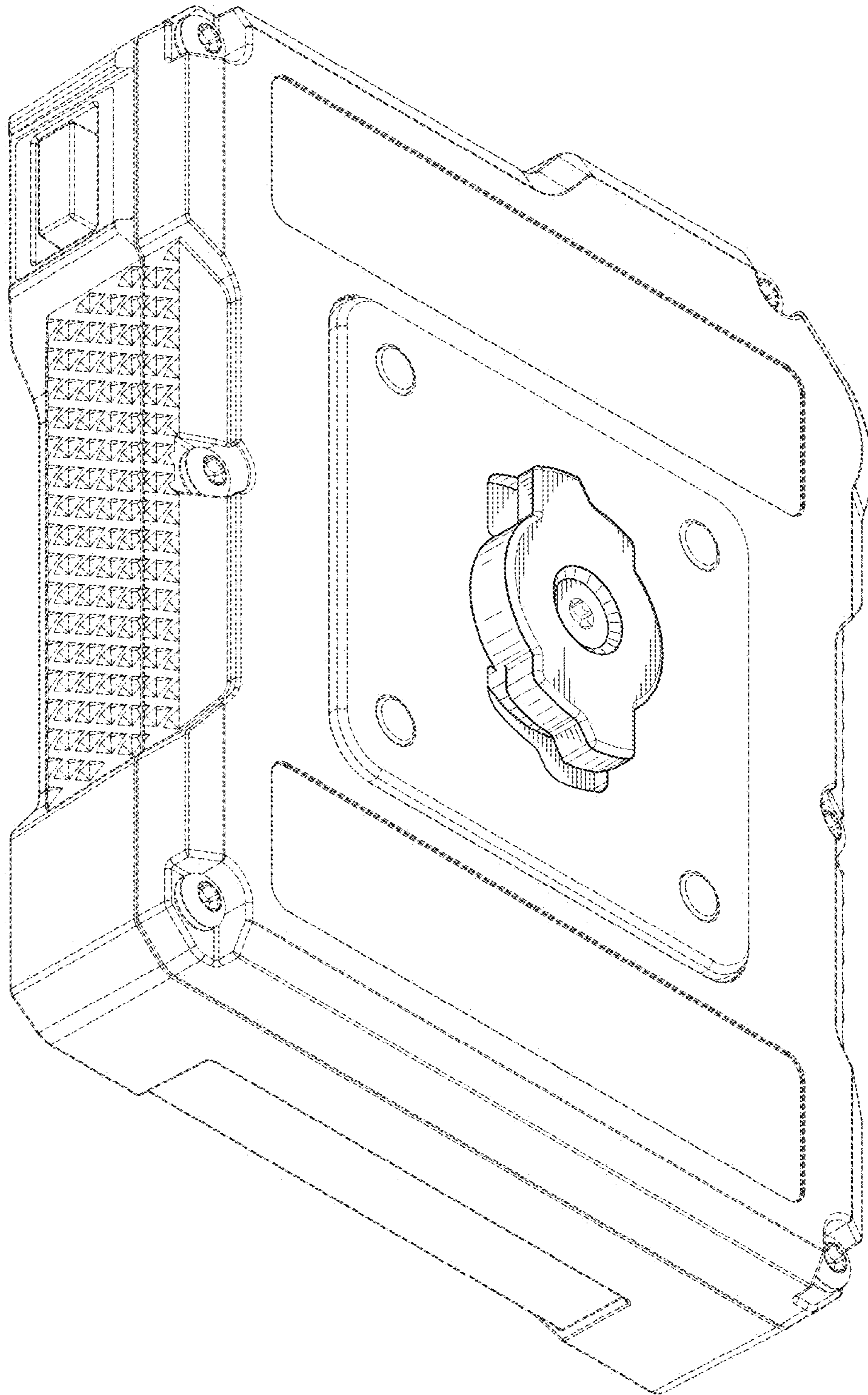
(56) **References Cited**

U.S. PATENT DOCUMENTS

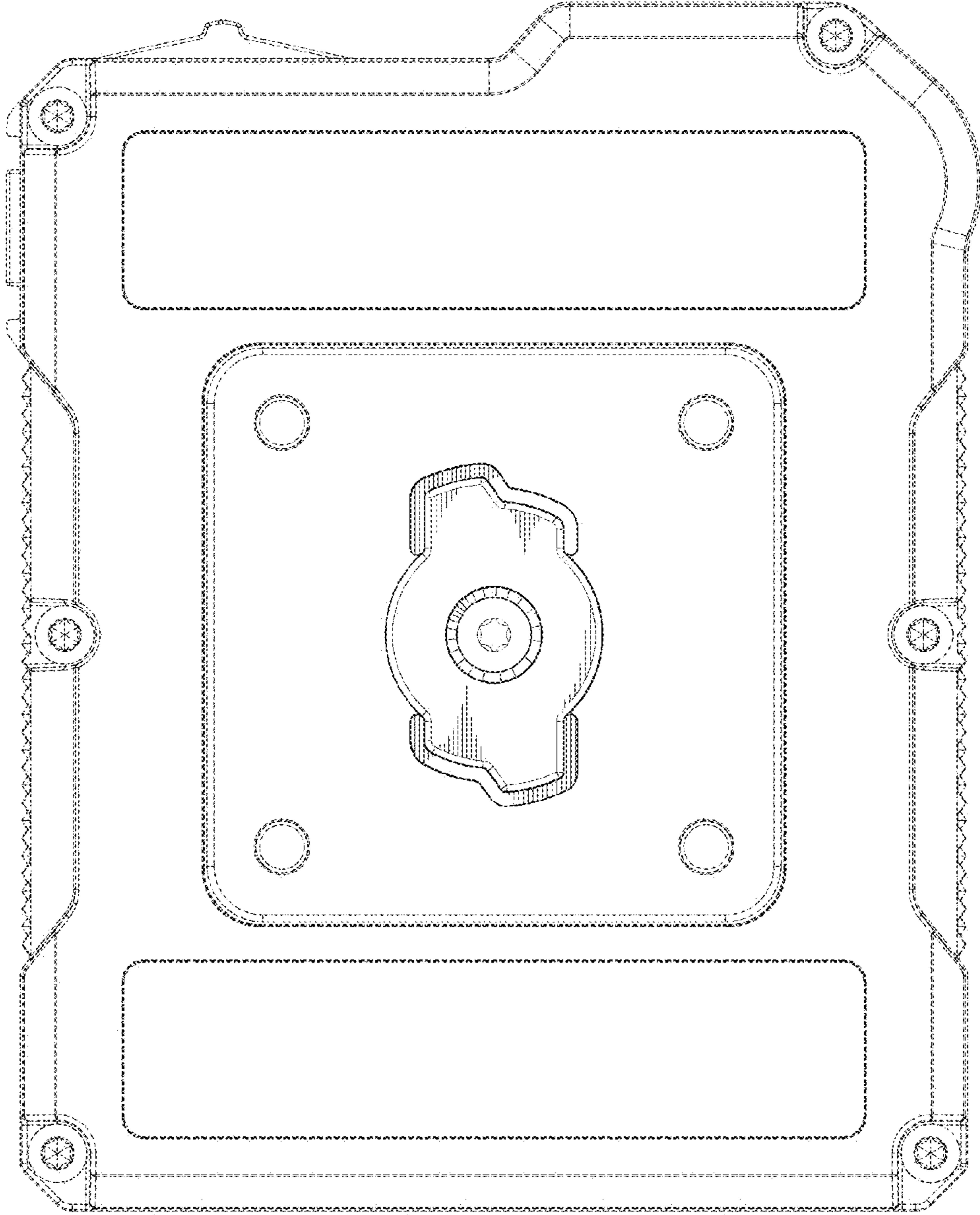
1,221,652	A *	4/1917	Badeau .....	H02G 3/14
				220/242
5,517,836	A *	5/1996	Hong .....	A44B 11/266
				70/30
D450,559	S *	11/2001	Yu .....	D8/331
D454,478	S *	3/2002	Willems .....	D8/331

**1 Claim, 4 Drawing Sheets**

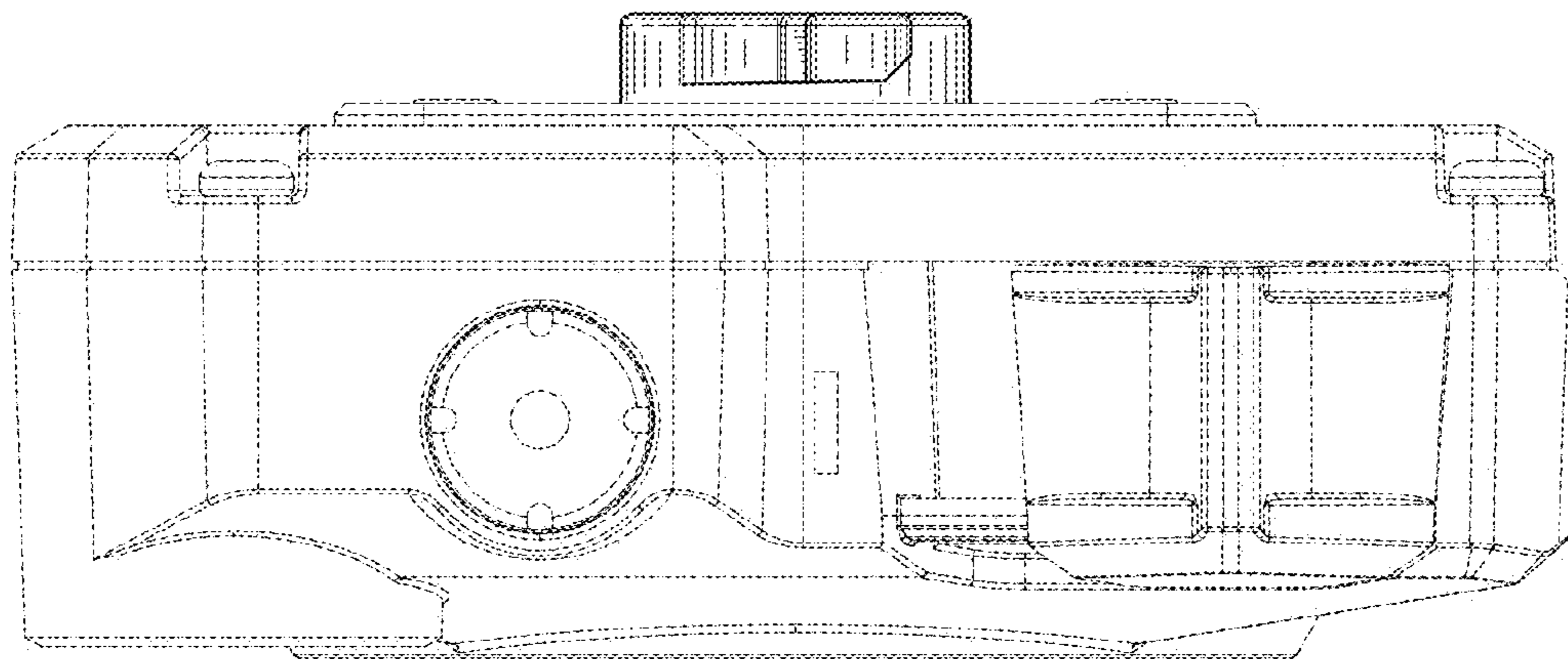




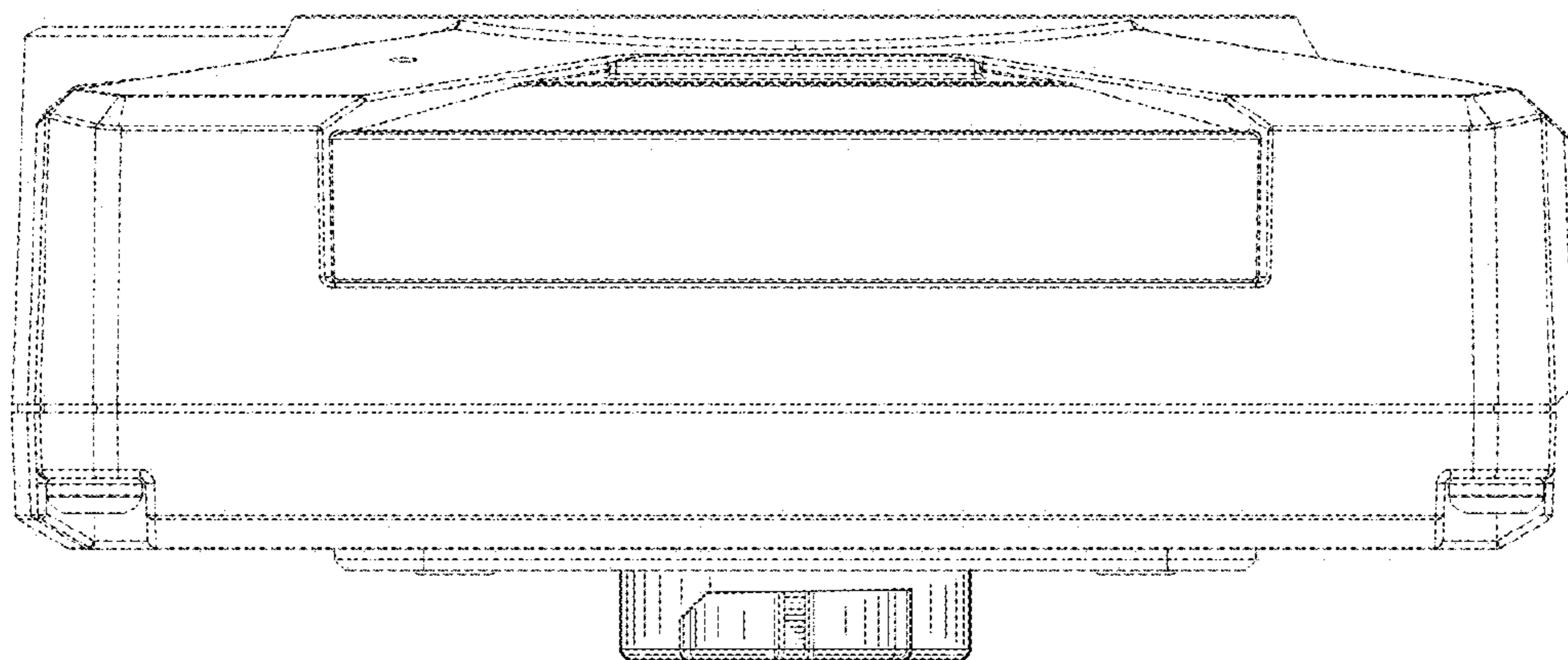
*Fig. 1.*



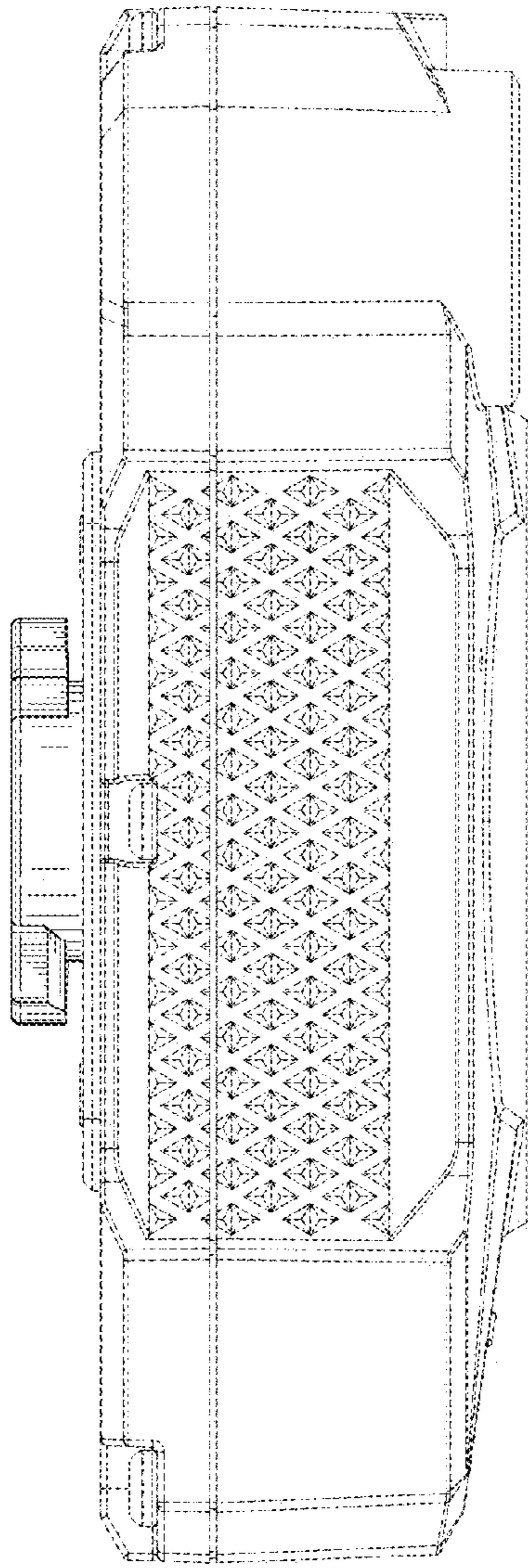
*Fig. 2.*



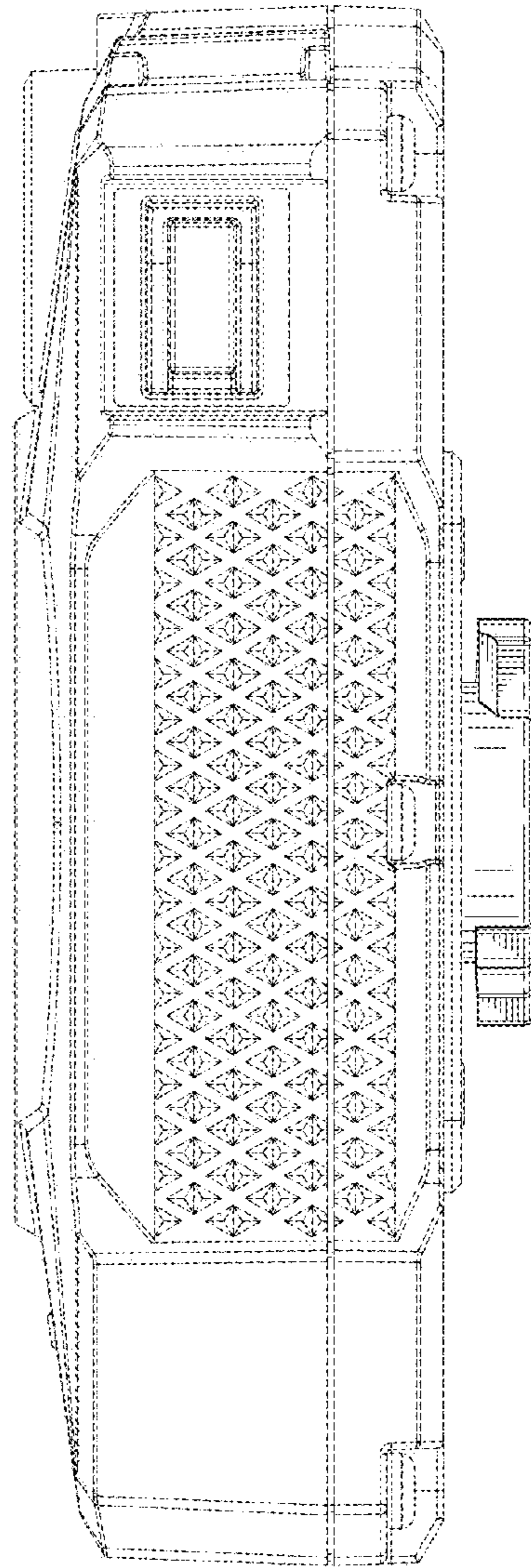
*Fig. 3.*



*Fig. 4.*



*Fig. 5.*



*Fig. 6.*