



US00D763057S

(12) **United States Design Patent**  
**Soper et al.**

(10) **Patent No.:** **US D763,057 S**  
(45) **Date of Patent:** **\*\* Aug. 9, 2016**

- (54) **LOCK FOR AN ACCESSORY MOUNT** 5,517,836 A \* 5/1996 Hong ..... A44B 11/266  
70/30
- (71) Applicant: **TASER International, Inc.**, Scottsdale, AZ (US) D450,559 S \* 11/2001 Yu ..... D8/331  
D454,478 S \* 3/2002 Willems ..... D8/331  
6,447,139 B1 \* 9/2002 Wilkes ..... E05B 17/10  
362/100
- (72) Inventors: **William J. Soper**, Bristol (GB); **Nathan A. Patulski**, Scottsdale, AZ (US) D482,995 S \* 12/2003 Saleen ..... D12/184  
7,336,150 B2 \* 2/2008 Gokcebay ..... E05B 47/06  
340/5.2
- (73) Assignee: **TASER Internationa, Inc.**, Scottsdale, AZ (US) D576,017 S \* 9/2008 Hatton ..... D8/331  
D600,998 S \* 9/2009 De Maria ..... D8/336  
D620,340 S \* 7/2010 Liljeqvist ..... D8/330  
D675,900 S \* 2/2013 Lin ..... D8/339  
D734,650 S \* 7/2015 Kodama ..... D8/330  
D738,193 S \* 9/2015 Master ..... D8/354

(\*\*) Term: **15 Years**

(21) Appl. No.: **29/531,023**

(22) Filed: **Jun. 23, 2015**

(51) **LOC (10) Cl.** ..... **08-07**

(52) **U.S. Cl.**  
USPC ..... **D8/330**

(58) **Field of Classification Search**  
USPC ..... D8/330, 331, 336, 338, 339, 340, 343,  
D8/354; 70/14, 2, 51, 57, 57.1, 91, 107,  
70/141; 292/2, 32, 137, 288, 289, 290,  
292/292  
CPC ..... G05B 19/00; G05B 15/00; E05B 49/00;  
E05B 9/00; E05B 17/00; E05B 37/00  
See application file for complete search history.

(56) **References Cited**

**U.S. PATENT DOCUMENTS**

1,221,652 A \* 4/1917 Badeau ..... H02G 3/14  
220/242

\* cited by examiner

*Primary Examiner* — Prabhakar Deshmukh

(74) *Attorney, Agent, or Firm* — Lawrence Letham

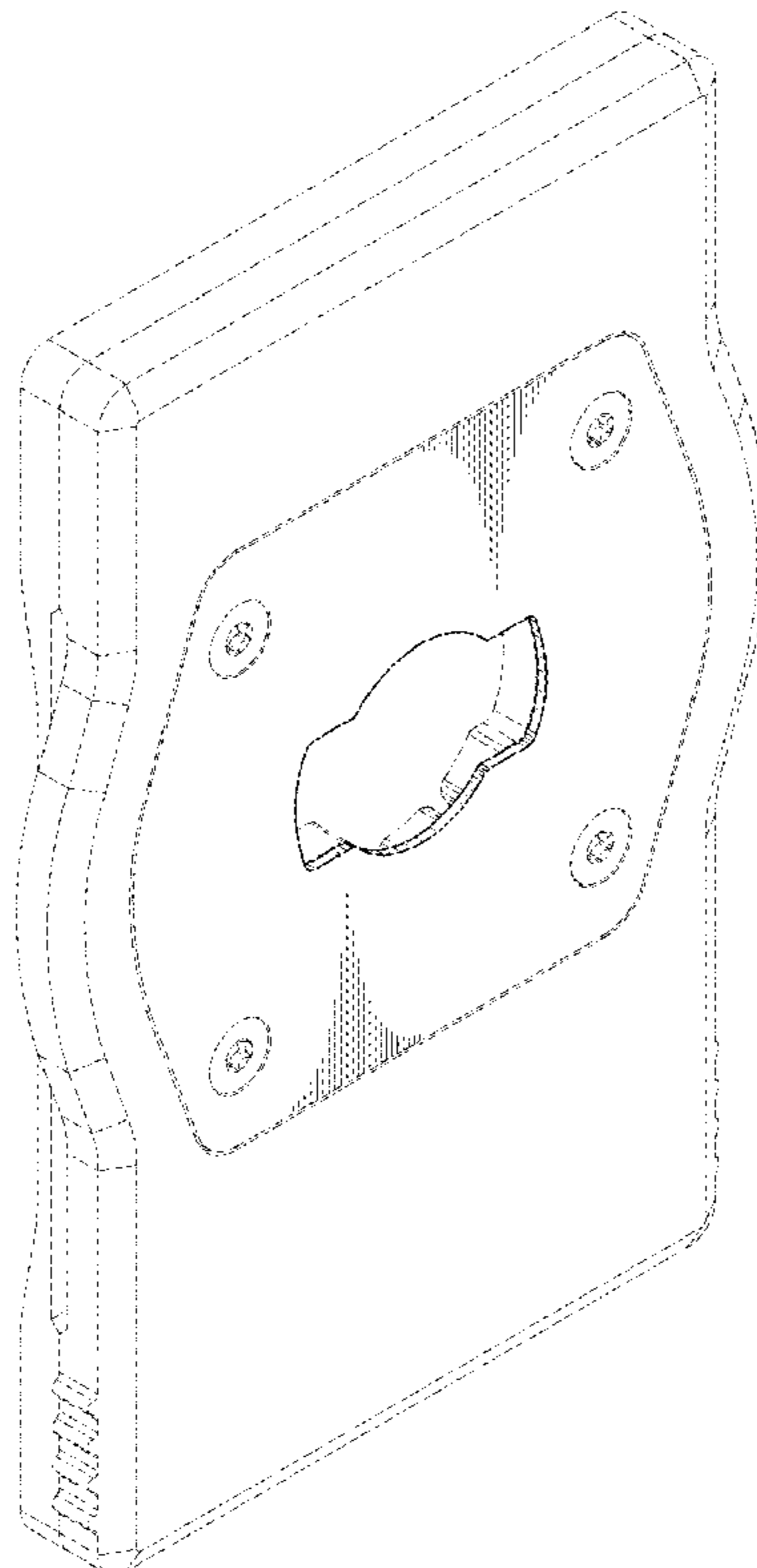
(57) **CLAIM**

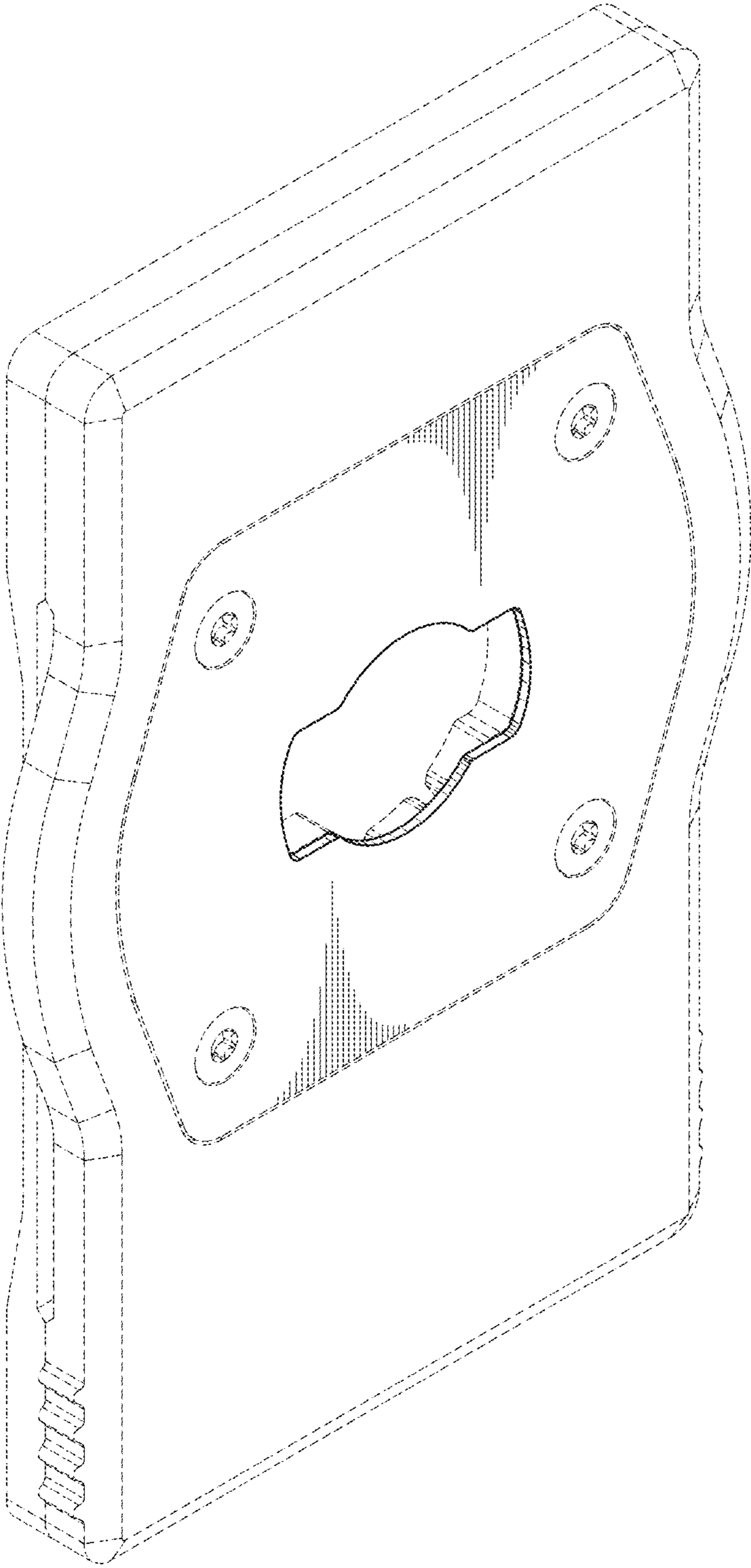
The ornamental design for a lock for an accessory mount, as shown and described.

**DESCRIPTION**

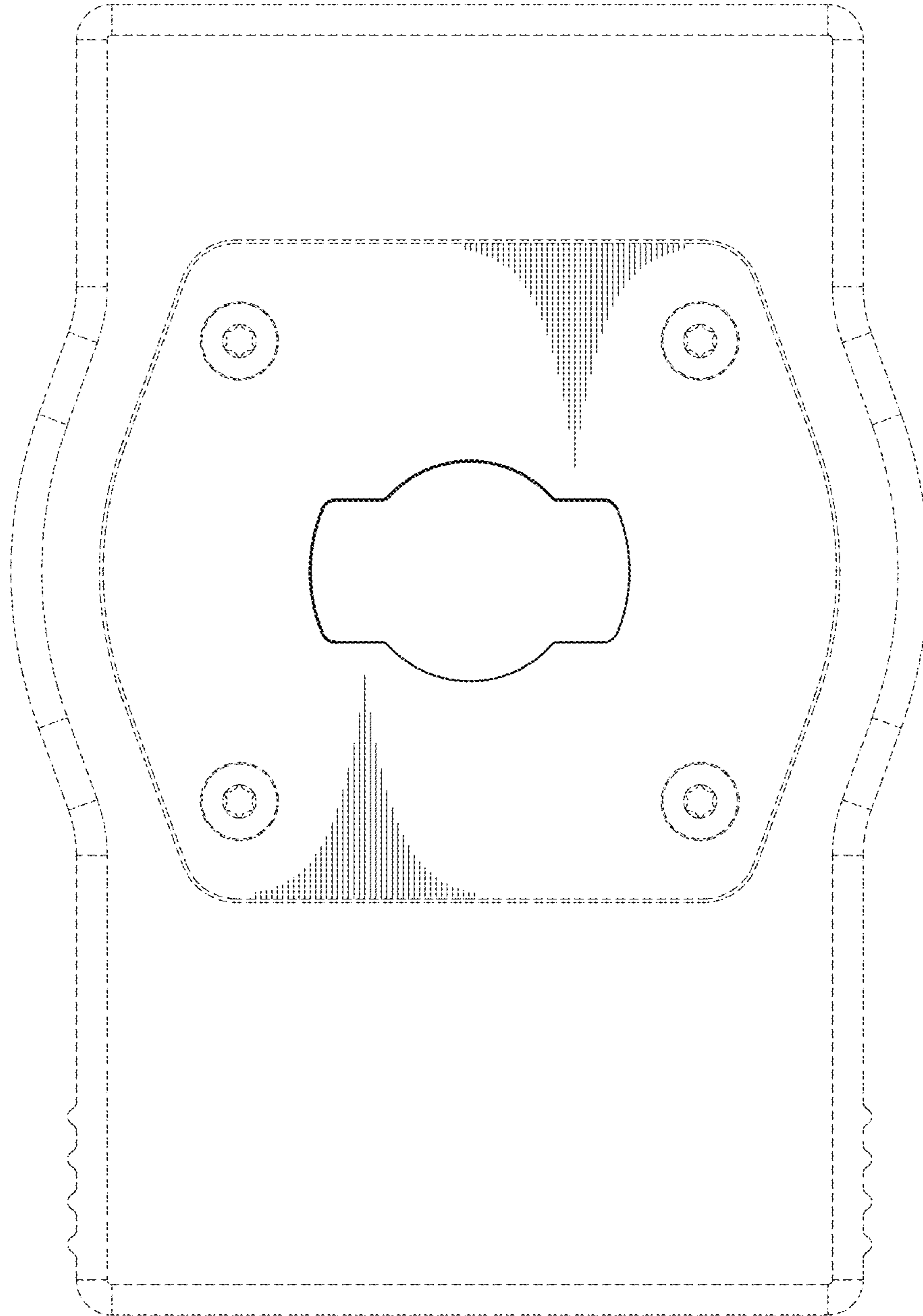
FIG. 1 is a left front isometric view of a lock for an accessory mount according to our new design; and, FIG. 2 is a front view of the lock for an accessory mount shown in FIG. 1. The broken lines show portions of the lock for an accessory mount that form no part of the claimed design.

**1 Claim, 2 Drawing Sheets**





*Fig. 1*



*Fig. 2*