



US00D763055S

(12) **United States Design Patent**  
**Lipscomb et al.**

(10) **Patent No.:** **US D763,055 S**  
(45) **Date of Patent:** **\*\* Aug. 9, 2016**

- (54) **FABRIC CUTTER**
- (71) Applicant: **Fiskars Brands, Inc.**, Madison, WI (US)
- (72) Inventors: **Daniel J. Lipscomb**, Prairie Du Sac, WI (US); **Douglas R. Nelson**, Madison, WI (US); **Stephen P. Dechant**, Lodi, WI (US)
- (73) Assignee: **Fiskars Brands, Inc.**, Madison, WI (US)
- (\*\*) Term: **15 Years**
- (21) Appl. No.: **29/528,575**
- (22) Filed: **May 29, 2015**
- (51) **LOC (10) Cl.** ..... **08-03**
- (52) **U.S. Cl.**  
USPC ..... **D8/98**
- (58) **Field of Classification Search**  
USPC ..... D8/14, 51, 98, 99, 100, 62, 90, 107, D8/110; D32/46  
CPC .... B26B 25/005; B26B 25/00; B26B 25/007; B26B 3/08  
See application file for complete search history.

- 6,877,243 B2 4/2005 Carlson et al.
- 6,951,058 B2 10/2005 McLean et al.
- D512,567 S \* 12/2005 Eckhardt ..... D32/52
- 7,010,860 B2 3/2006 Gardner et al.
- D566,512 S \* 4/2008 Chie ..... D8/98
- D589,776 S \* 4/2009 Camp ..... D8/310
- D594,308 S \* 6/2009 Davies ..... D8/98
- D653,521 S \* 2/2012 Wike ..... D8/310

\* cited by examiner

*Primary Examiner* — Phillip S Hyder  
(74) *Attorney, Agent, or Firm* — Foley & Lardner LLP

(57) **CLAIM**  
We claim the ornamental design for a fabric cutter, as shown and described.

**DESCRIPTION**

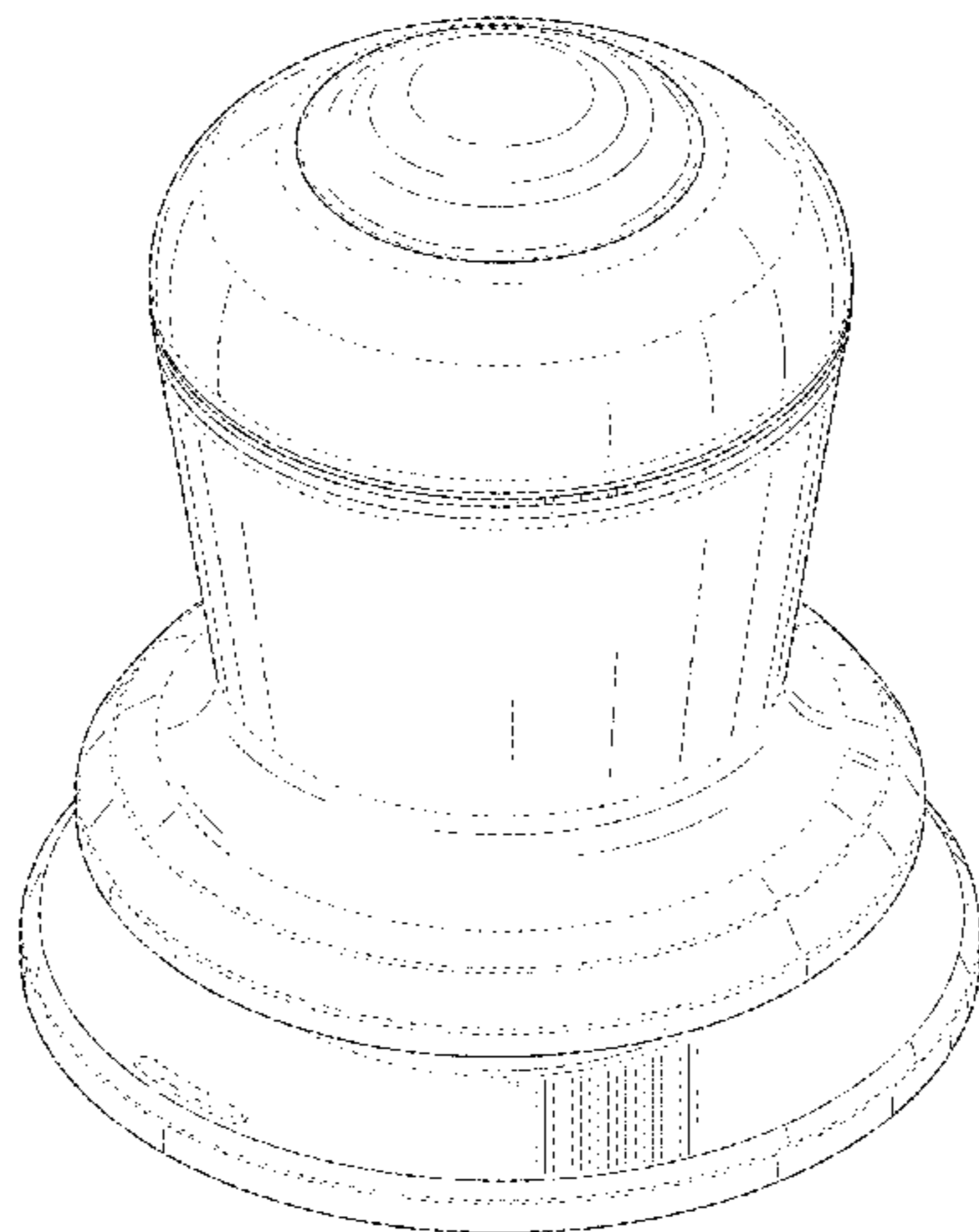
FIG. 1 is an isometric view of a fabric cutter;  
 FIG. 2 is a top plan view thereof;  
 FIG. 3 is a bottom plan view thereof;  
 FIG. 4 is a right side elevational view thereof;  
 FIG. 5 is a left side elevational view thereof;  
 FIG. 6 is a front elevational view thereof;  
 FIG. 7 is a rear elevational view thereof;  
 FIG. 8 is an isometric view of another embodiment of the claimed design;  
 FIG. 9 is a top plan view of the embodiment shown in FIG. 8;  
 FIG. 10 is a bottom plan view of the embodiment shown in FIG. 8;  
 FIG. 11 is a right side elevational view of the embodiment shown in FIG. 8;  
 FIG. 12 is a left side elevational view of the embodiment shown in FIG. 8;  
 FIG. 13 is a front elevational view of the embodiment shown in FIG. 8; and,  
 FIG. 14 is a rear elevational view of the embodiment shown in FIG. 8.  
 The broken lines in the drawings are for illustrative purposes only and show unclaimed aspects of the claimed design.

**1 Claim, 14 Drawing Sheets**

(56) **References Cited**

U.S. PATENT DOCUMENTS

- D332,734 S \* 1/1993 Fushiya ..... D32/19
- D389,326 S \* 1/1998 Moore ..... D6/323
- 6,052,909 A 4/2000 Gardner
- 6,158,133 A 12/2000 Carlson et al.
- 6,216,577 B1 \* 4/2001 Lira-Nunez ..... B26B 3/00  
30/151
- 6,282,742 B1 \* 9/2001 Boggs ..... A47L 1/16  
15/143.1
- 6,374,503 B1 4/2002 Carlson et al.
- 6,484,406 B1 11/2002 Gardner
- 6,668,461 B2 12/2003 Gardner
- 6,708,413 B2 3/2004 Carlson et al.
- 6,722,051 B2 4/2004 Carlson et al.
- 6,813,839 B2 11/2004 McLean et al.
- D499,325 S \* 12/2004 McLean ..... D8/51



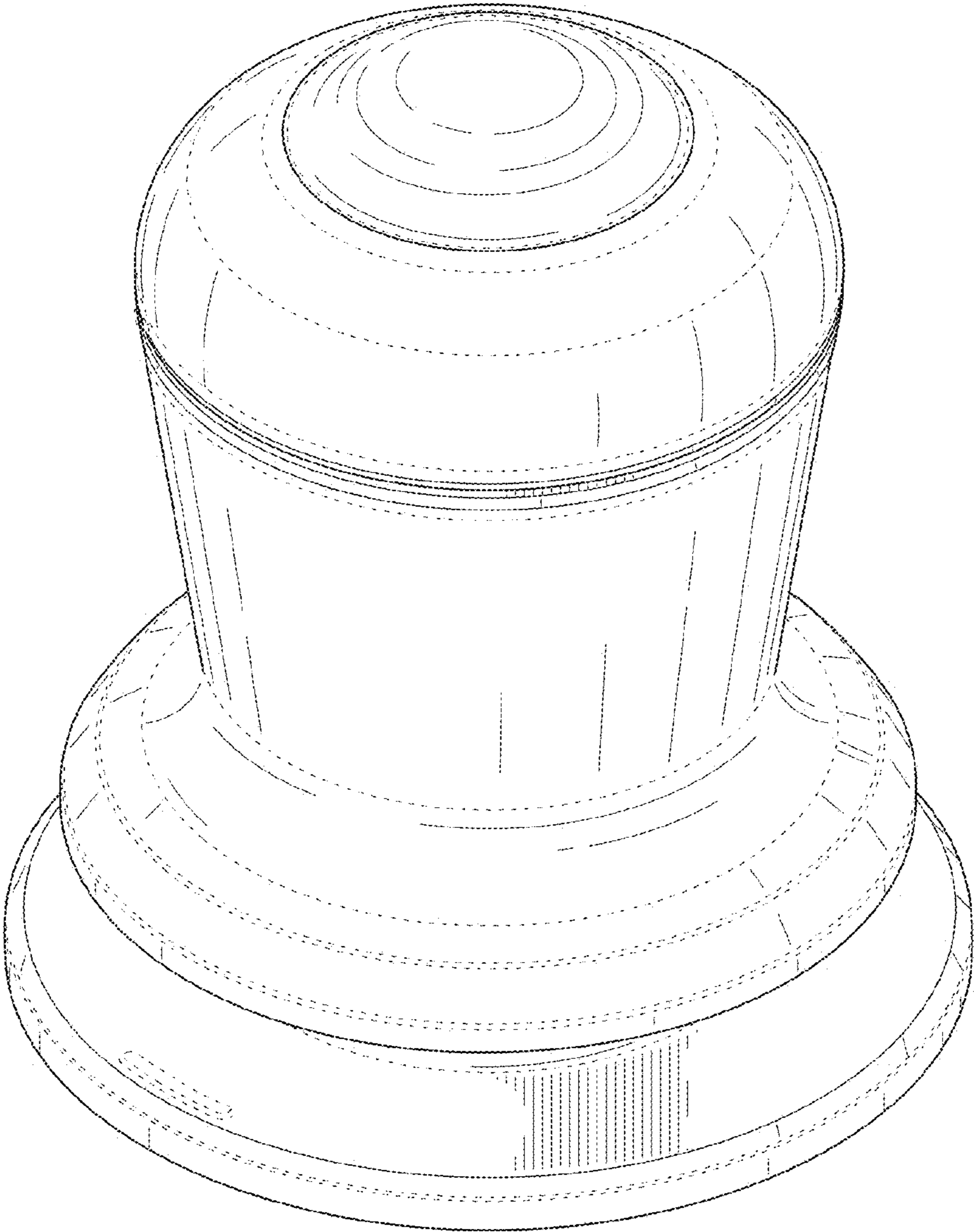


FIG. 1

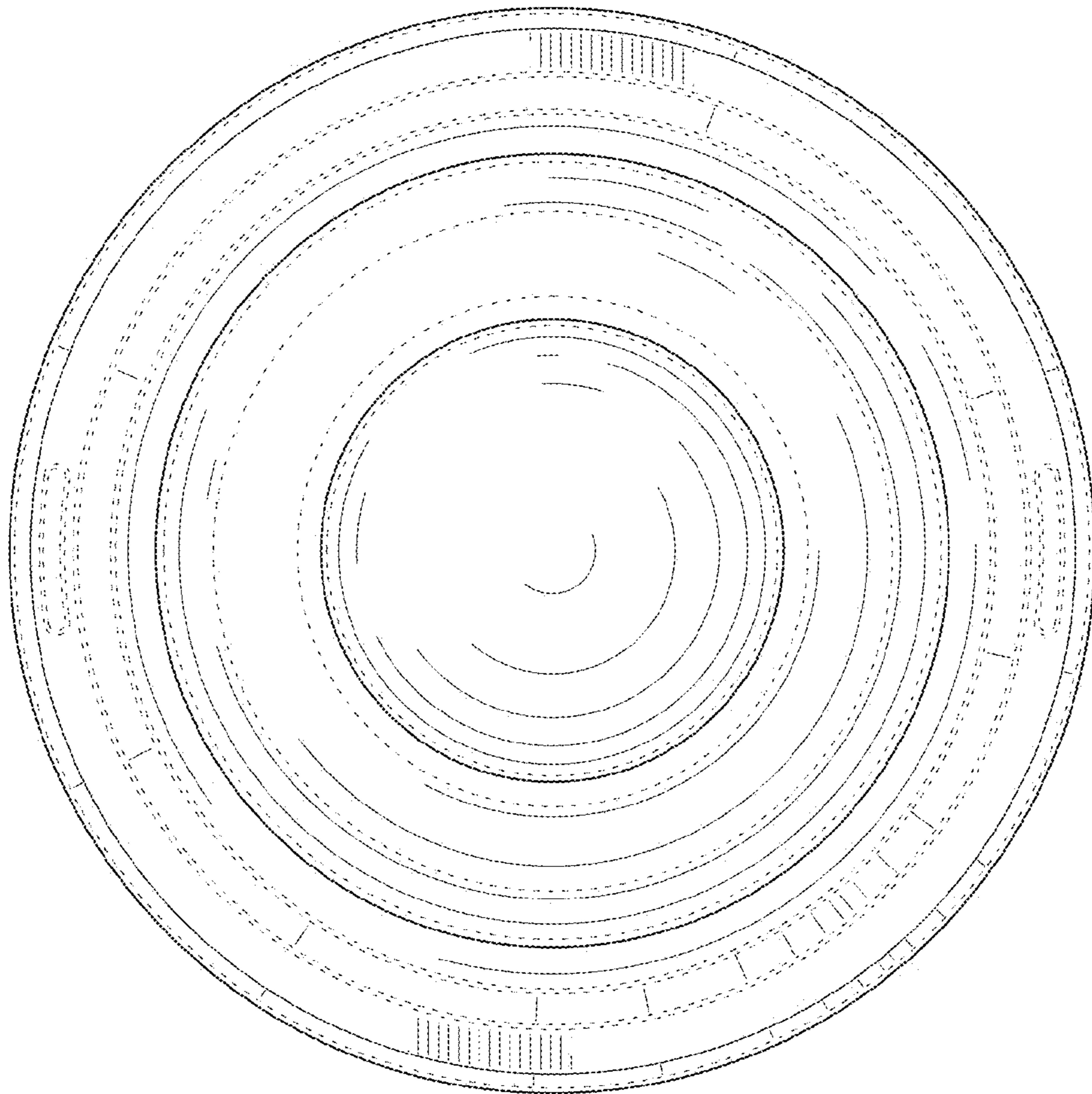


FIG. 2

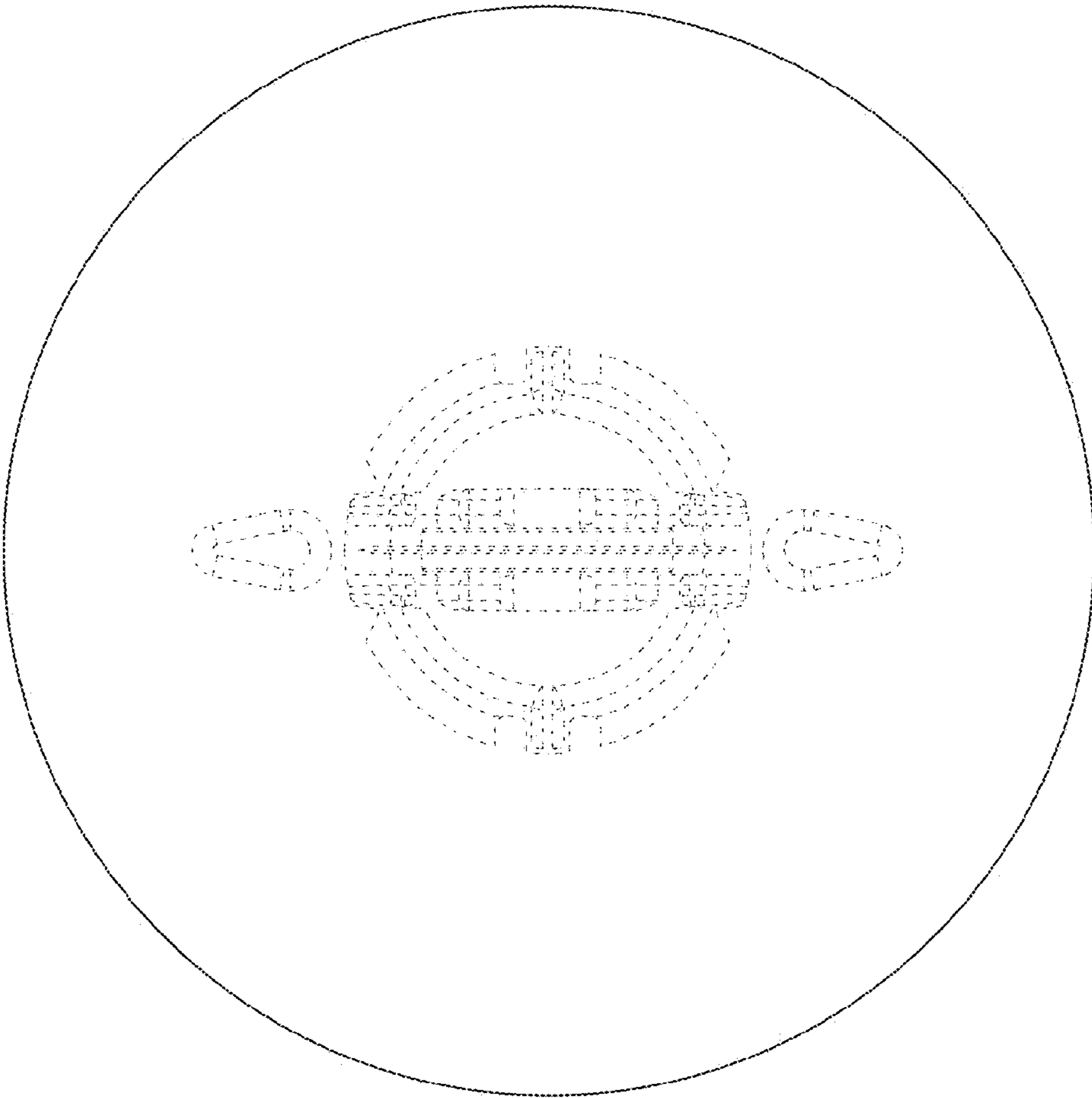


FIG. 3



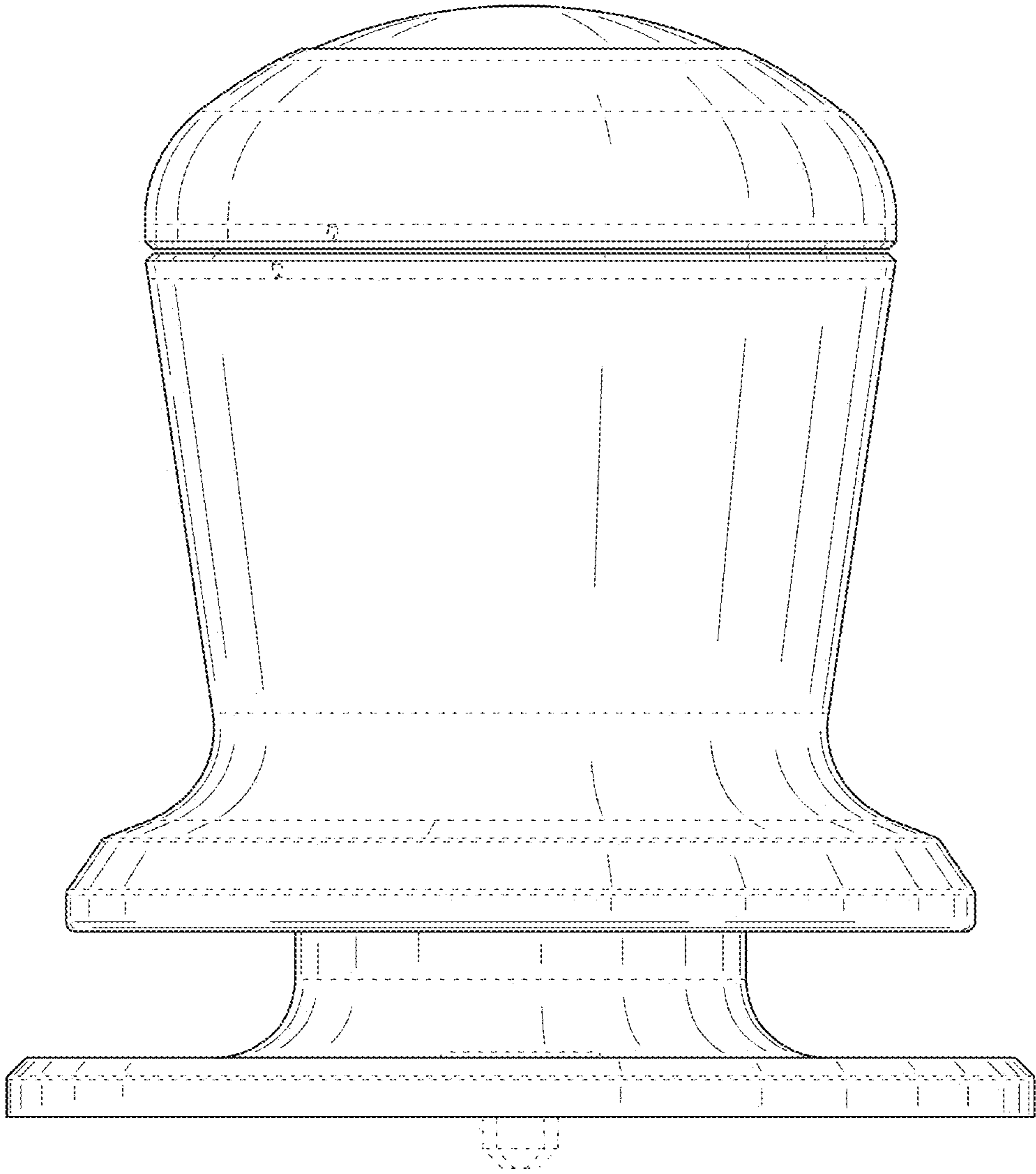


FIG. 4

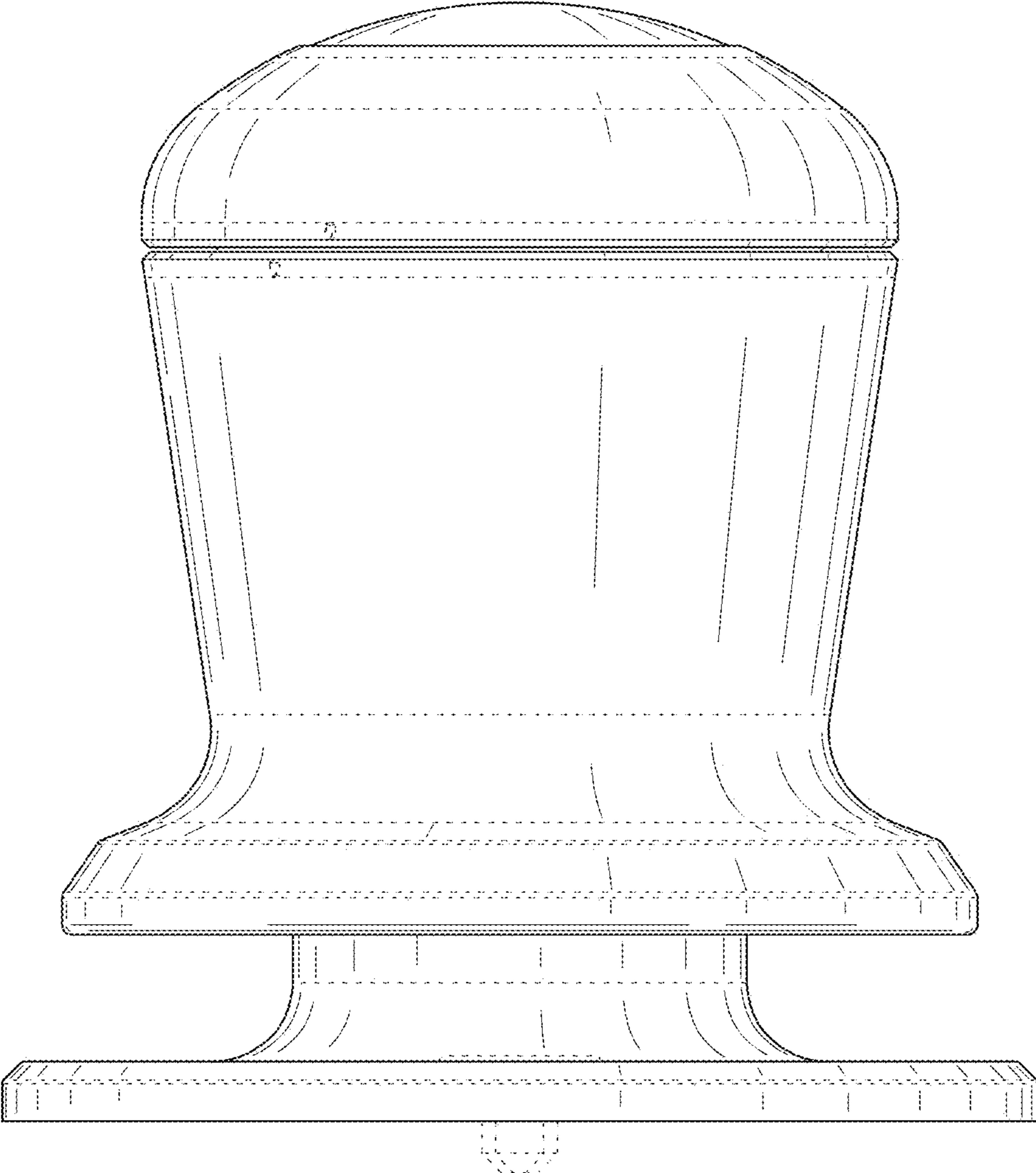


FIG. 5

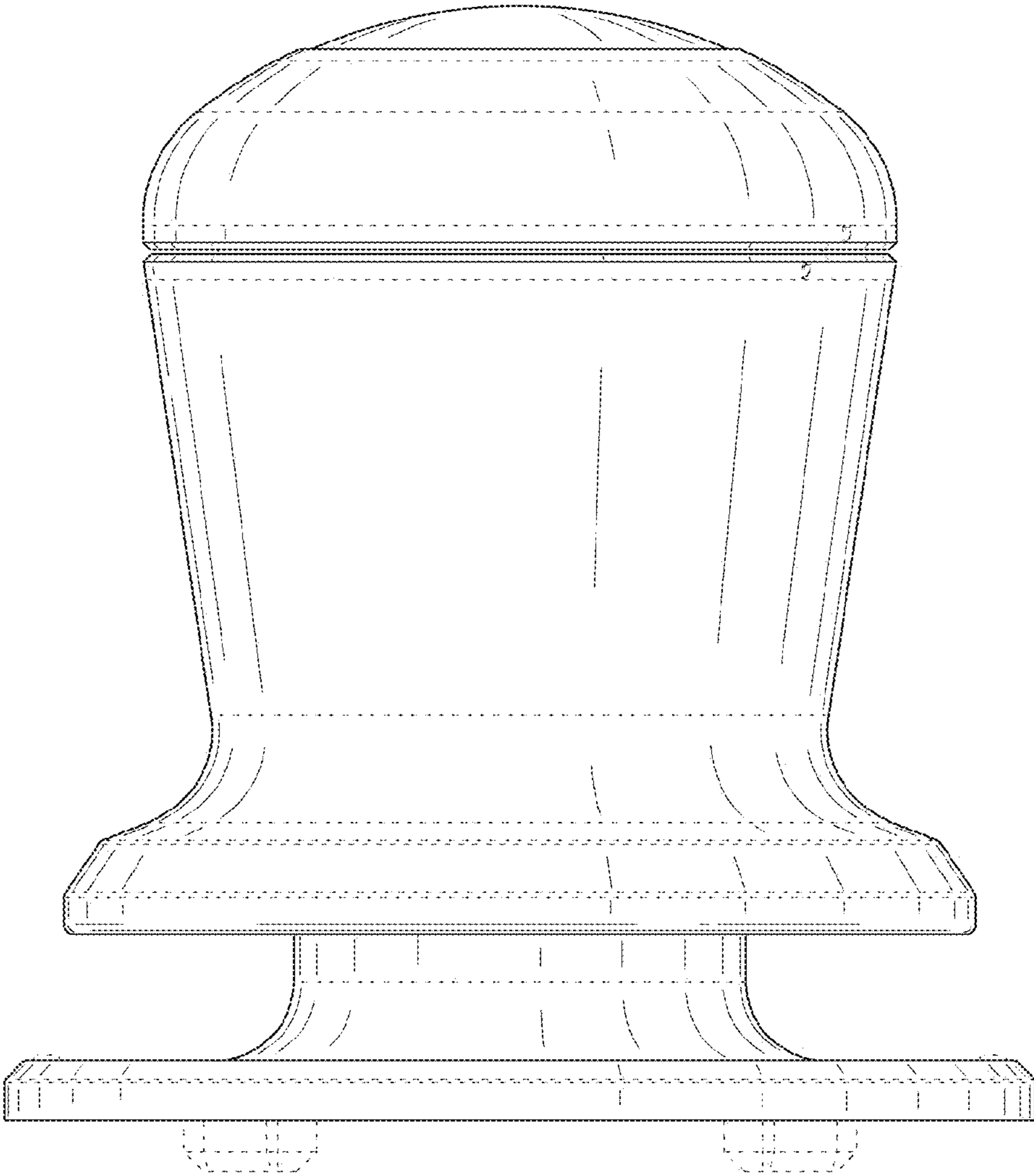


FIG. 6

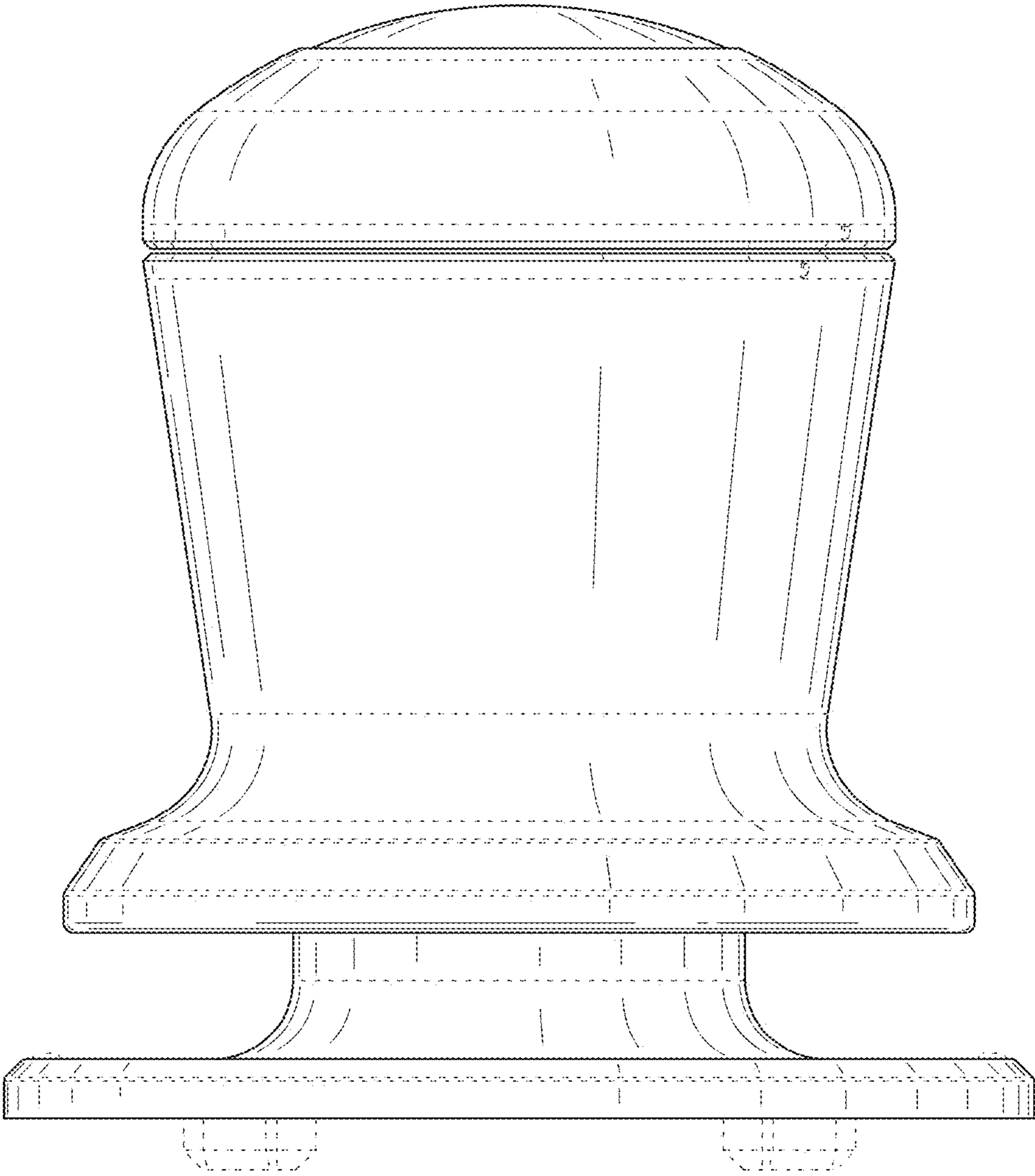


FIG. 7



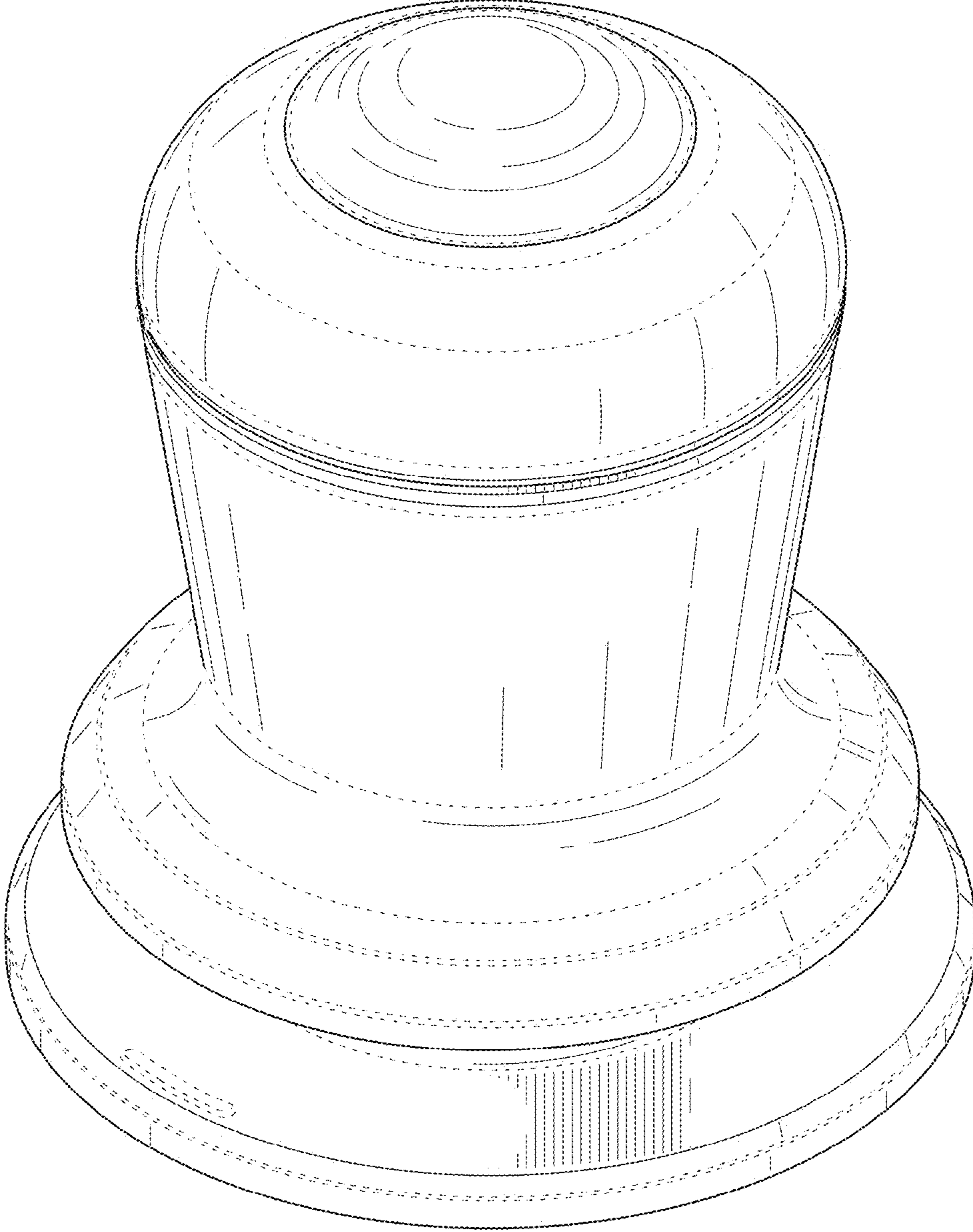


FIG. 8

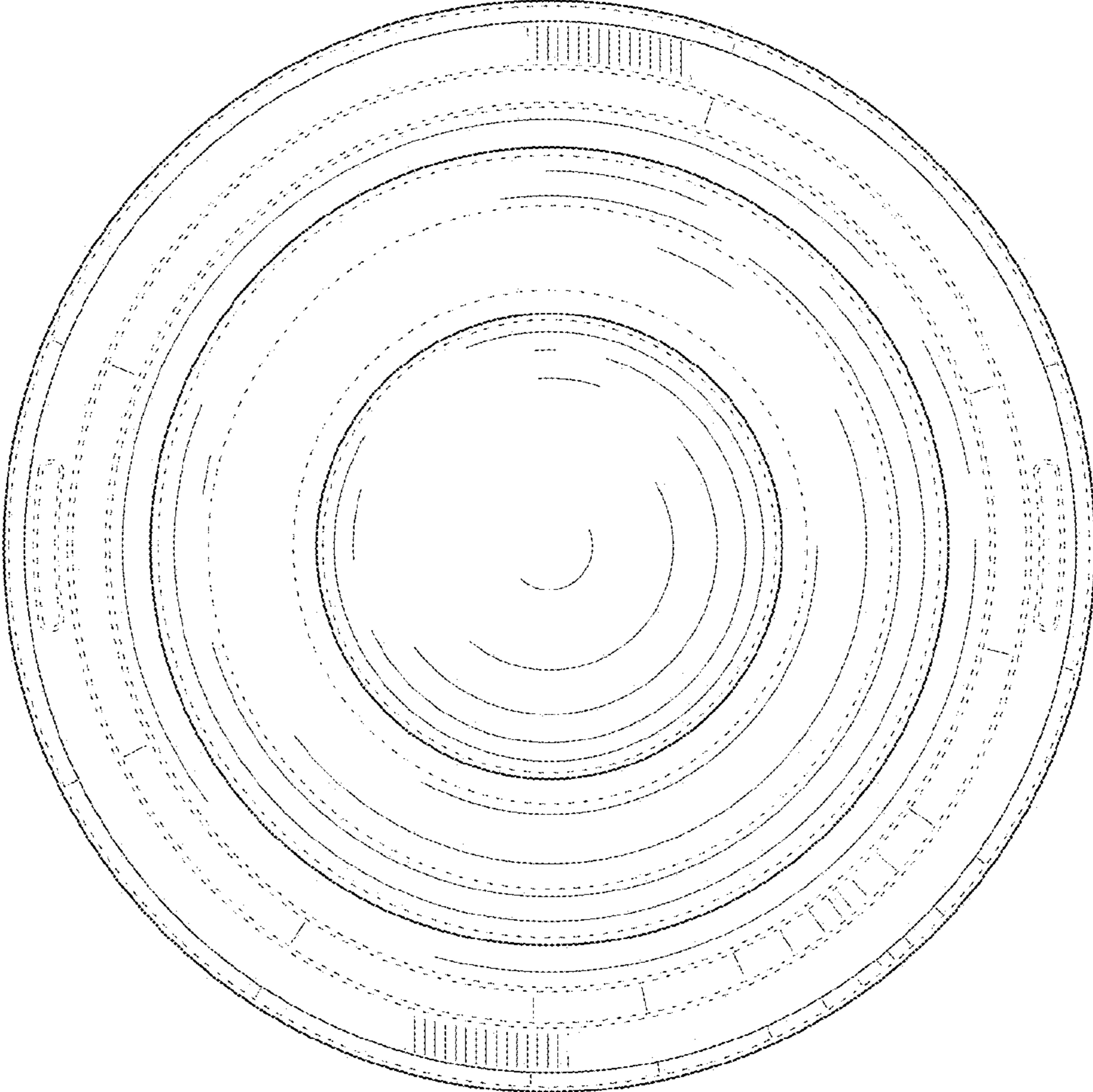


FIG. 9

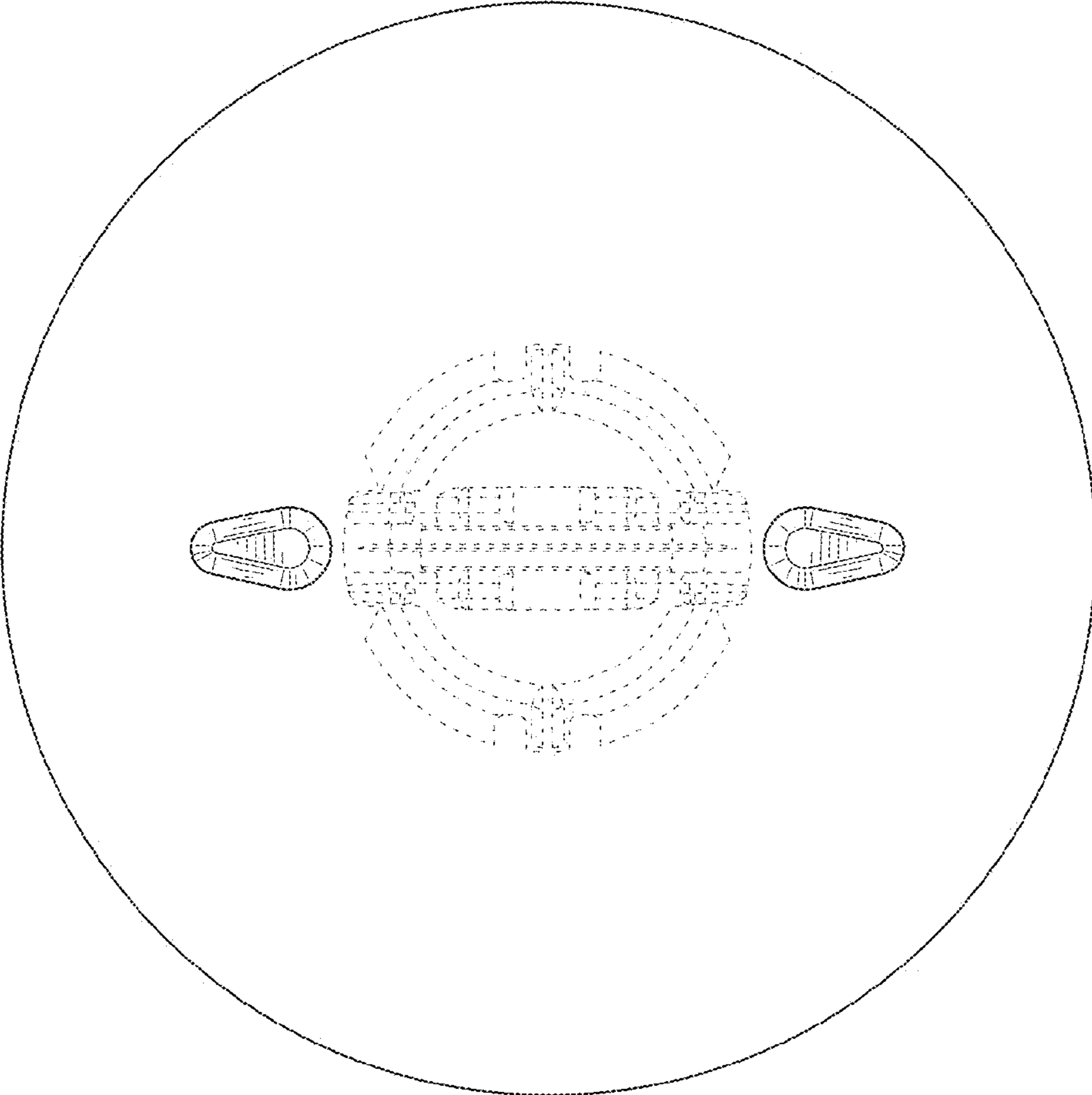


FIG. 10

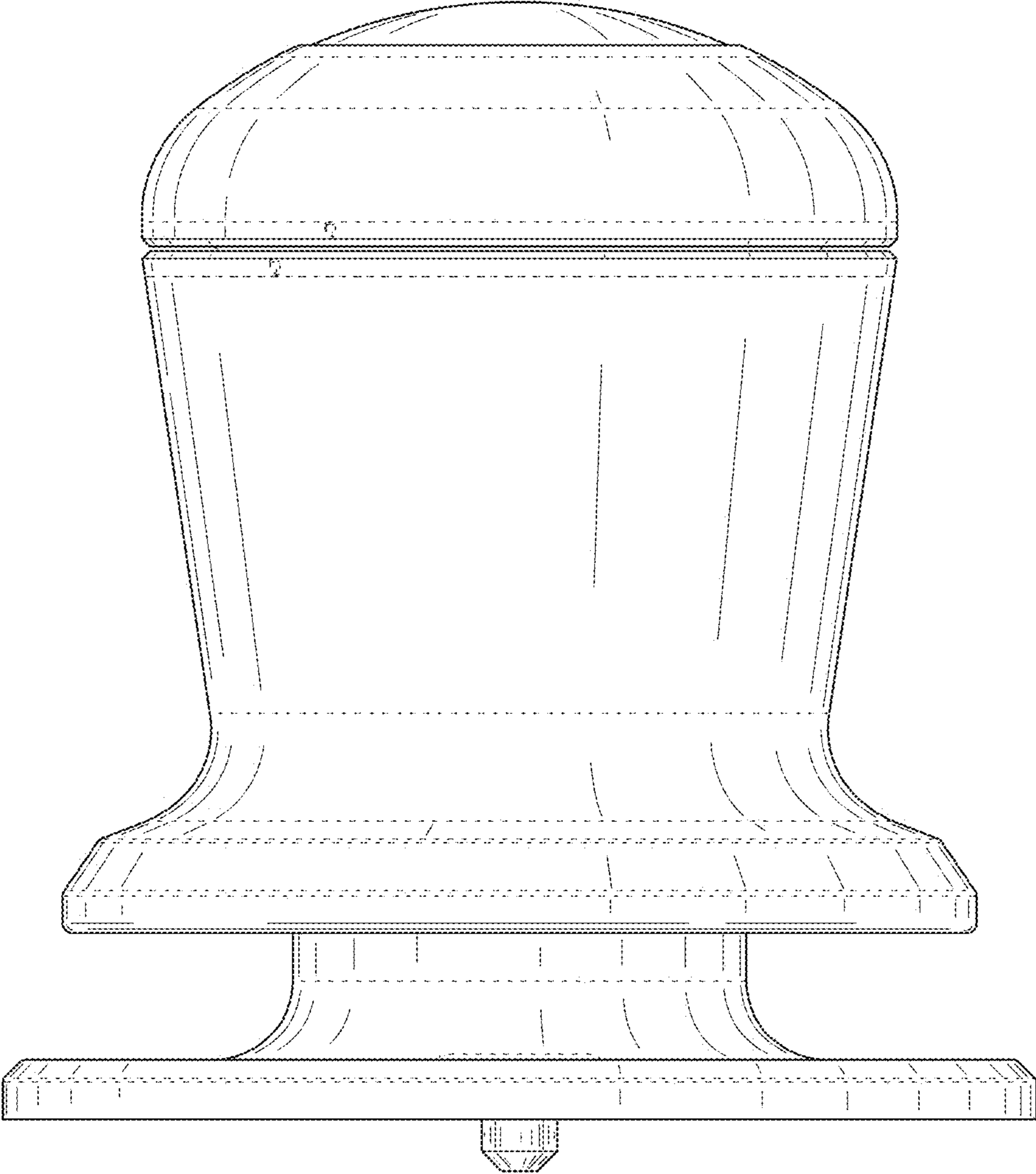


FIG. 11

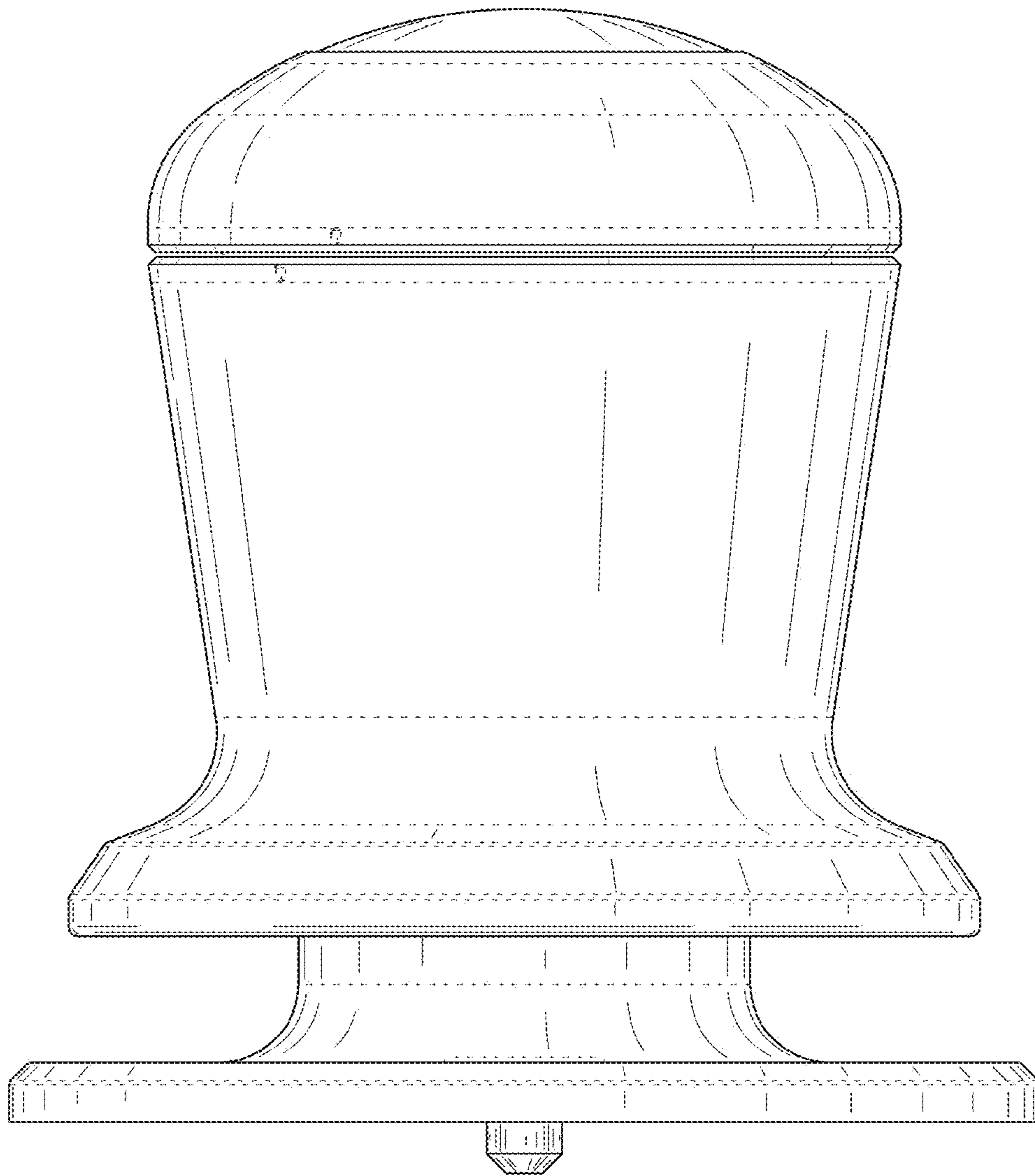


FIG. 12



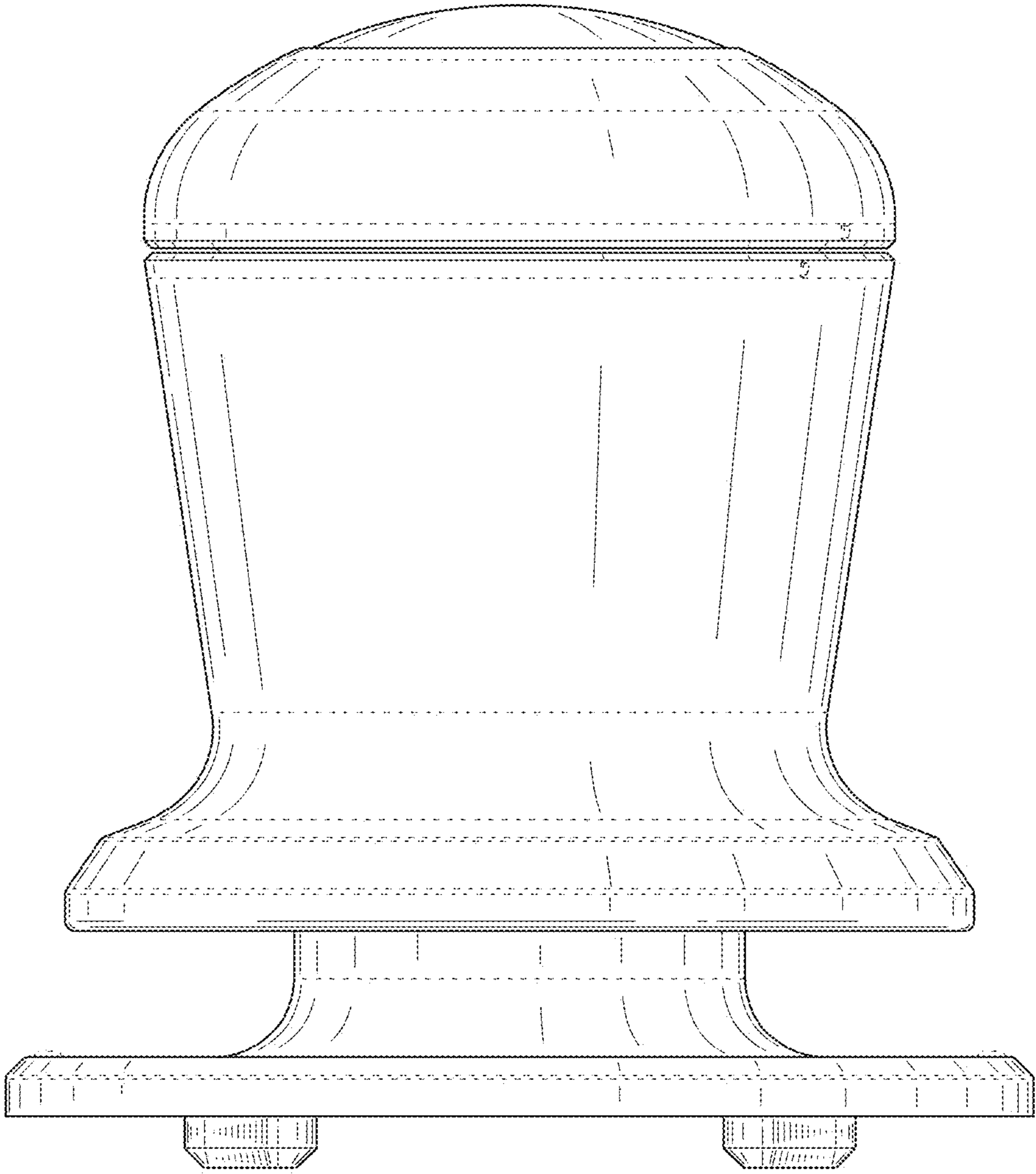


FIG. 13

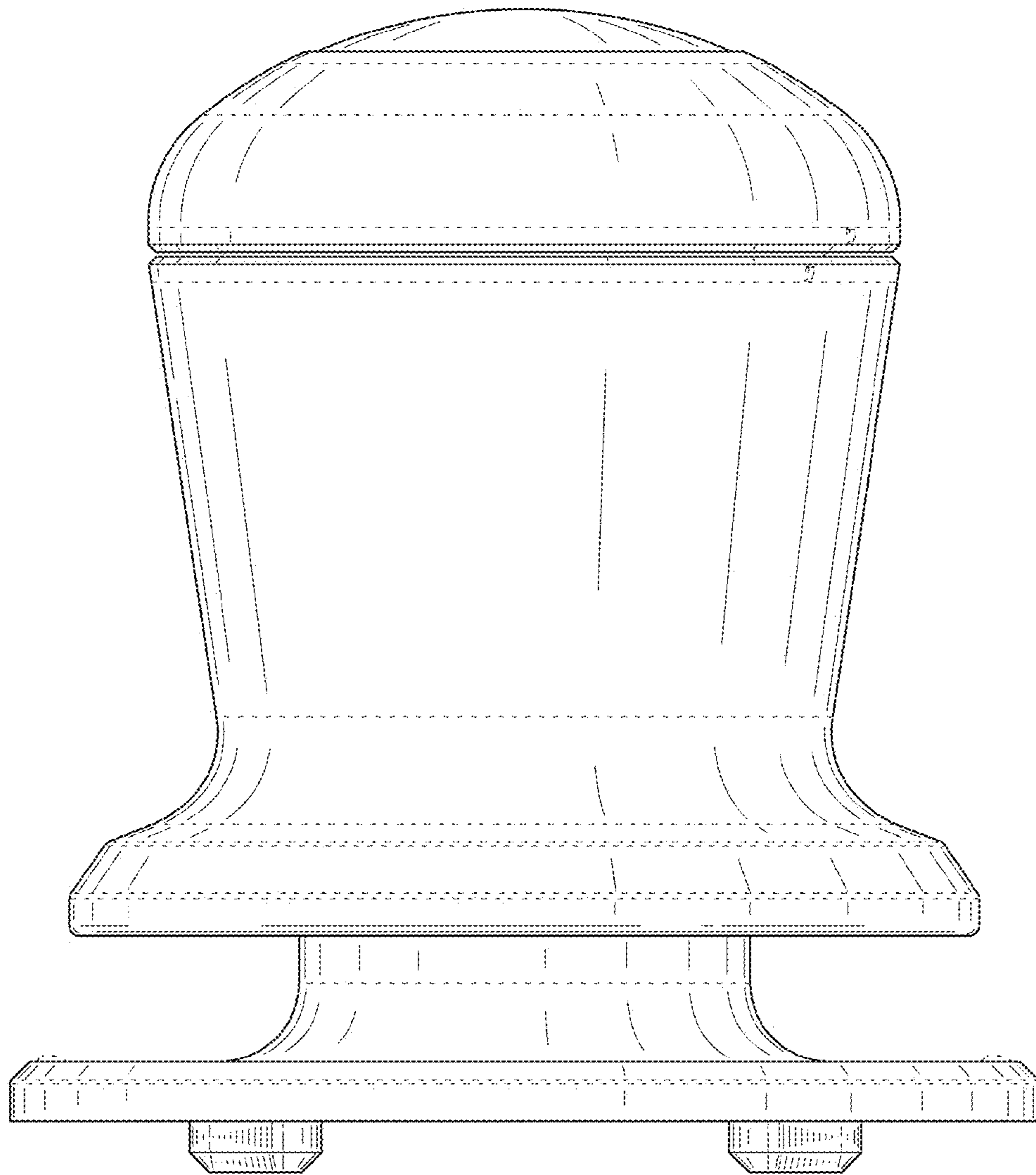


FIG. 14