

US00D763053S

(12) **United States Design Patent**
Clerkx

(10) **Patent No.:** **US D763,053 S**

(45) **Date of Patent:** **** Aug. 9, 2016**

(54) **CONTACT CLAMP**

(71) Applicant: **MULTI-HOLDING AG**, Allschwil
(CH)

(72) Inventor: **Antonius Clerkx**, Venlo (NL)

(73) Assignee: **Multi-Holding AG**, Allschwil (CH)

(**) Term: **14 Years**

(21) Appl. No.: **29/478,111**

(22) Filed: **Dec. 31, 2013**

(30) **Foreign Application Priority Data**

Jul. 1, 2013 (WO) DM/081 541

(51) **LOC (10) Cl.** **08-05**

(52) **U.S. Cl.**
USPC **D8/72**

(58) **Field of Classification Search**
USPC D8/71-74; 81/487, 385, 386; 269/3, 6,
269/143, 165

CPC B25B 1/00; B25B 5/00
See application file for complete search history.

(56) **References Cited**

U.S. PATENT DOCUMENTS

3,070,297 A * 12/1962 Mehlman G06M 1/10
235/98 R
D320,919 S * 10/1991 Sorensen D8/72
D328,846 S * 8/1992 Sorensen D8/72
5,159,861 A * 11/1992 Anderson A61B 17/22
226/127
5,197,360 A * 3/1993 Wooster, Jr. B25B 5/102
269/170

D366,820 S * 2/1996 Wooster, Jr. D8/72
D418,033 S * 12/1999 Svedberg D34/31
D419,415 S * 1/2000 Richter D14/251
D482,585 S * 11/2003 Brass D8/72
D488,043 S * 4/2004 Ben-Gigi D8/72
D494,828 S * 8/2004 Phillips D8/72
D543,821 S * 6/2007 Ranieri D8/73
8,132,704 B2 * 3/2012 Whitman A61B 17/32
128/898

OTHER PUBLICATIONS

Staubli Group, Multi-Contact Brochure.

* cited by examiner

Primary Examiner — David Muller

(74) *Attorney, Agent, or Firm* — Sughrue Mion, PLLC

(57) **CLAIM**

The ornamental design for a contact clamp, as shown and described.

DESCRIPTION

FIG. 1 is a bottom view of the design that comprises my invention;

FIG. 2 is a front view thereof;

FIG. 3 is a top view thereof;

FIG. 4 is a rear view thereof;

FIG. 5 is a right side view thereof;

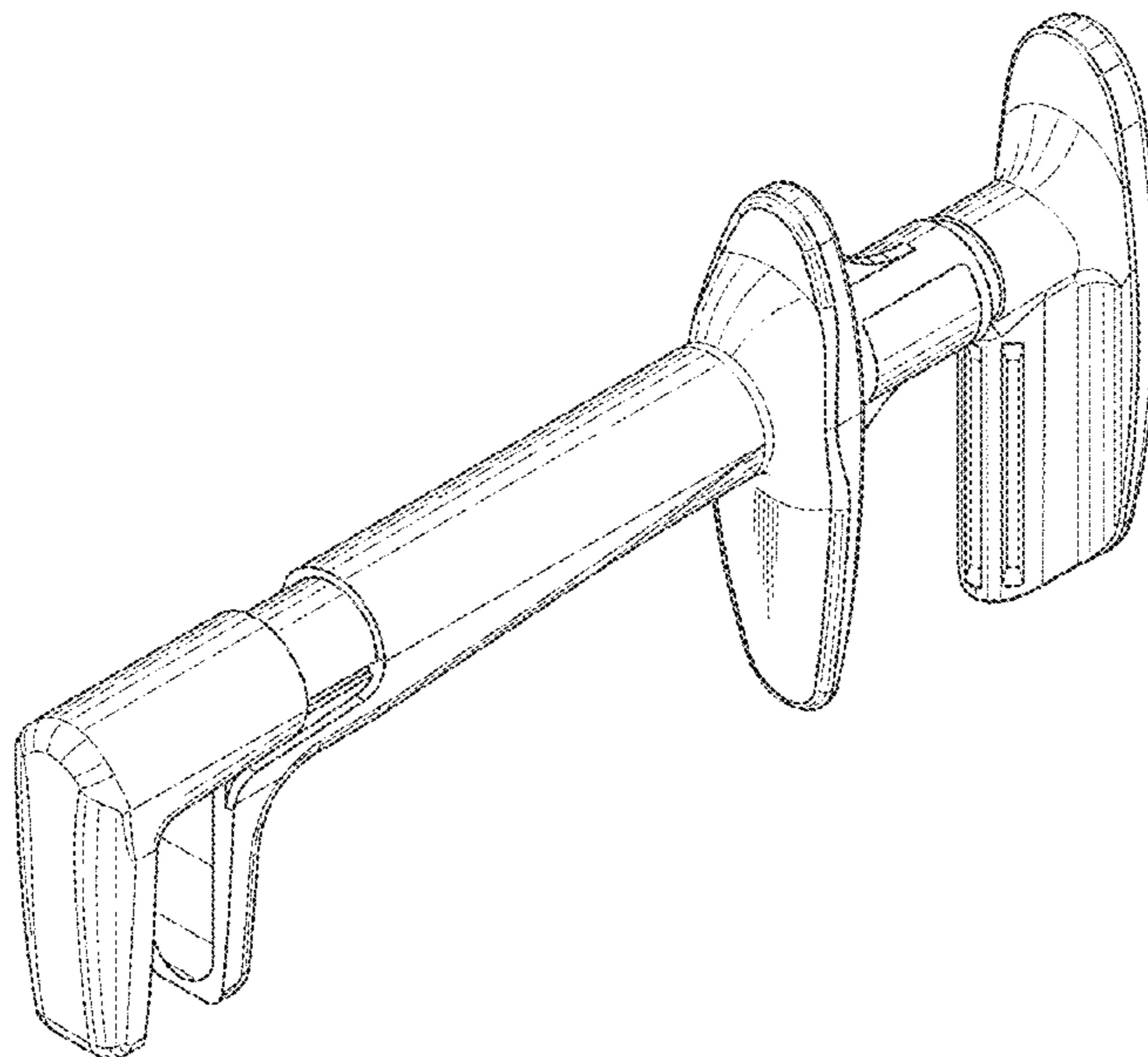
FIG. 6 is a left side view thereof;

FIG. 7 is a first perspective view thereof taken from the left side; and,

FIG. 8 is a second perspective view thereof taken from the left side.

The broken line showing of parts of the drawings is included for the purpose of illustrating use and environment and forms no part of the claimed design.

1 Claim, 7 Drawing Sheets



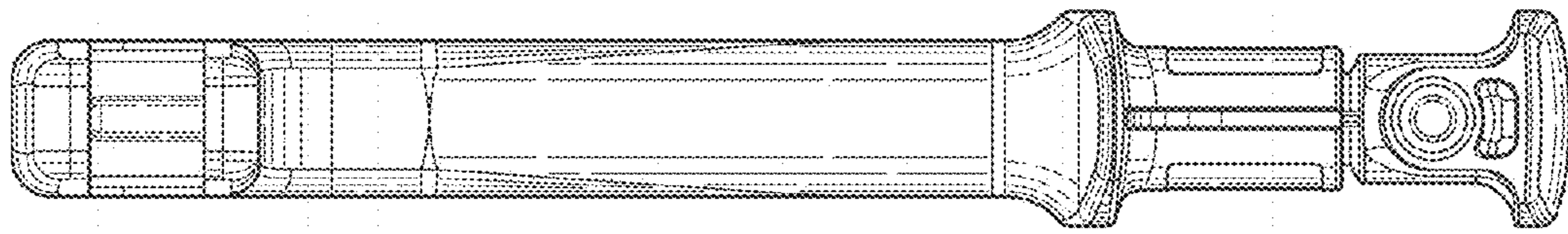


Figure 1

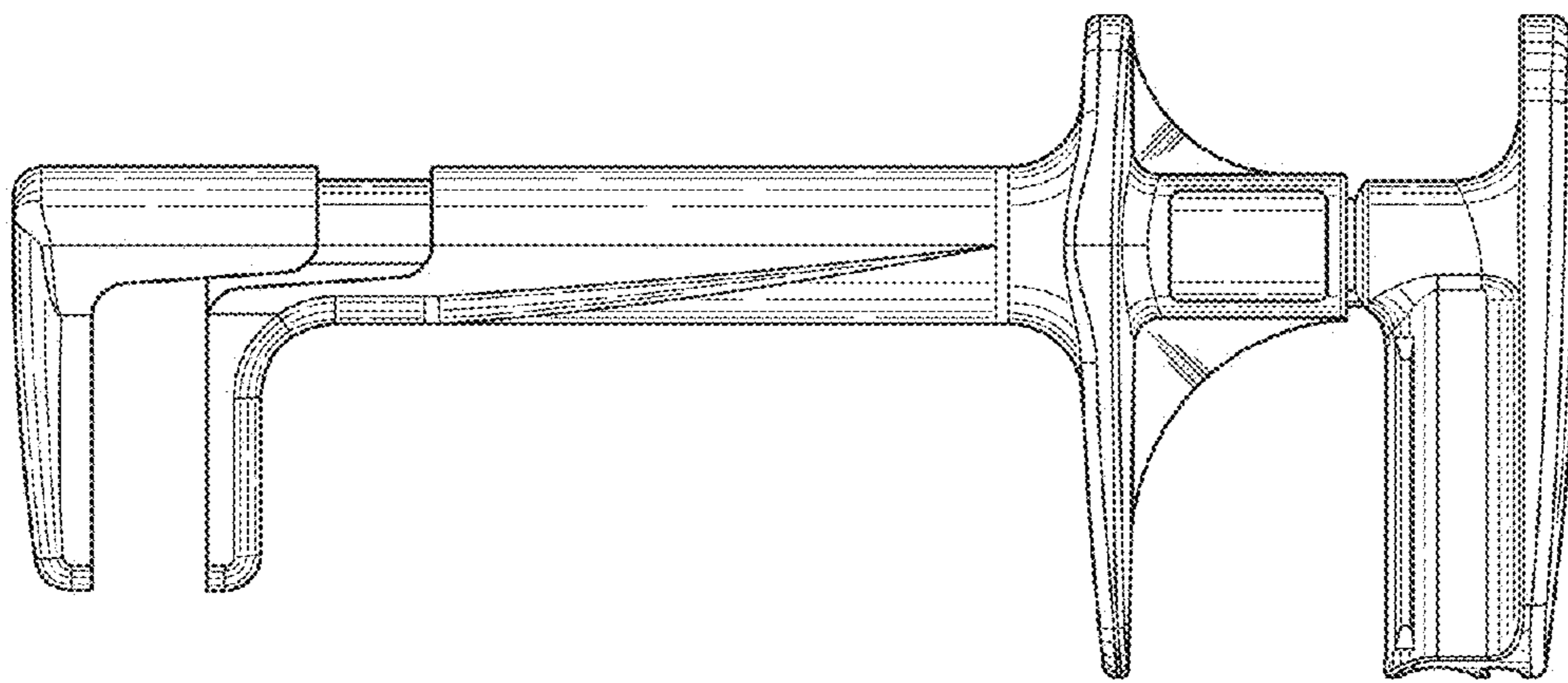


Figure 2

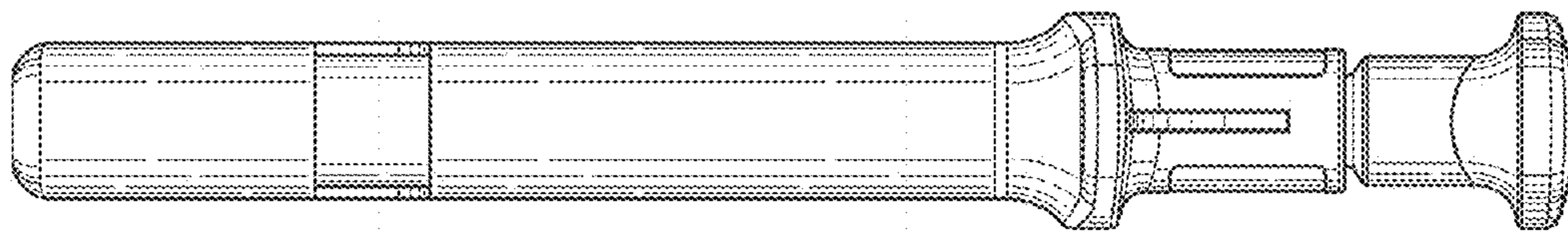


Figure 3

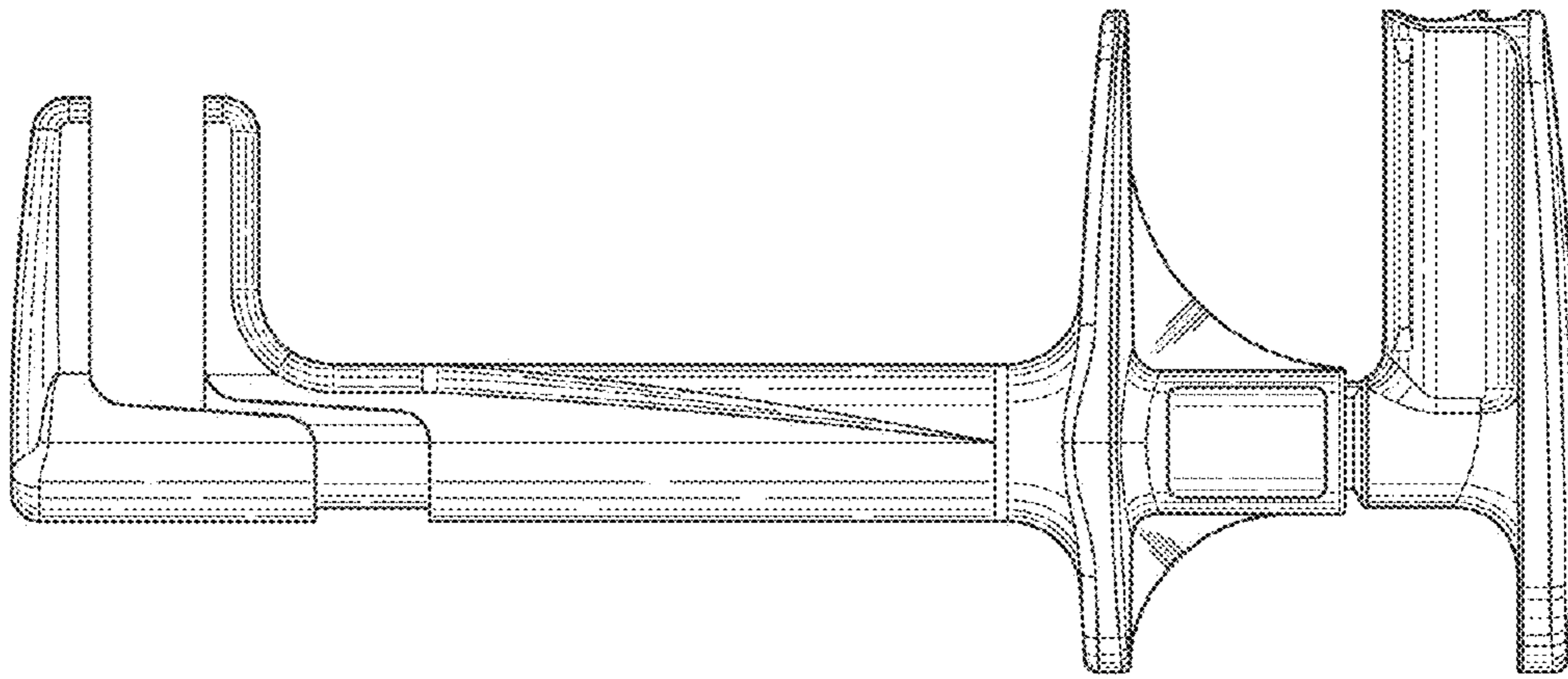


Figure 4

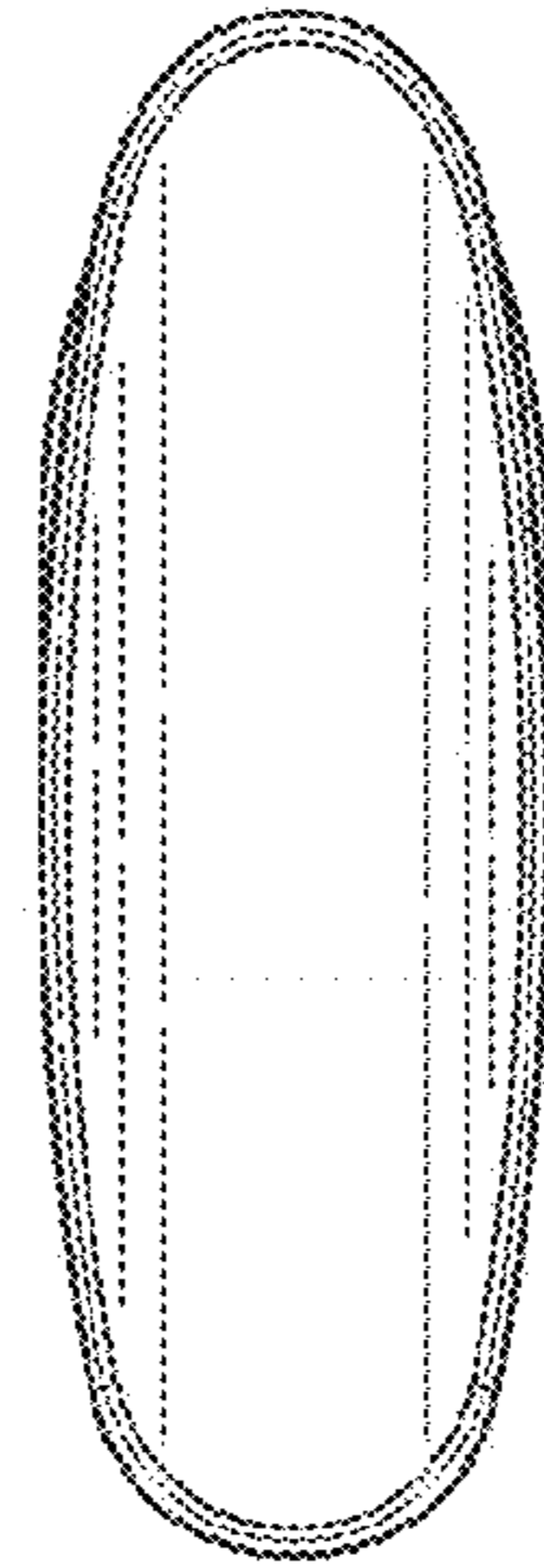


Figure 5

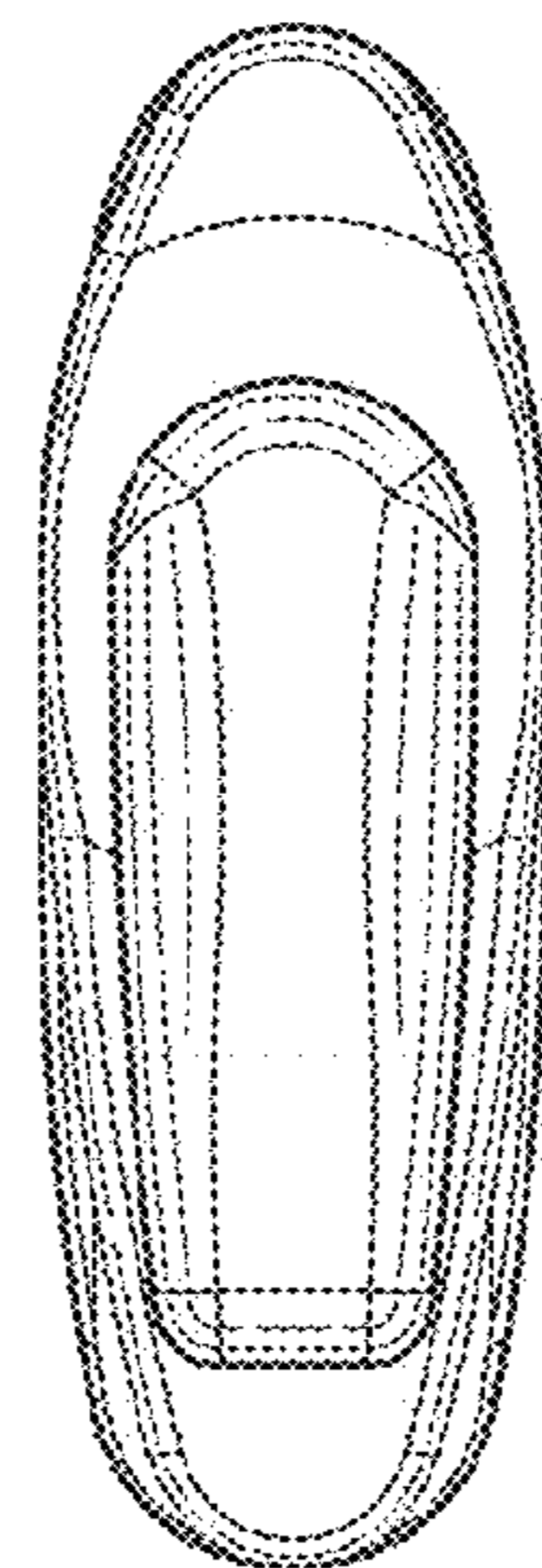


Figure 6

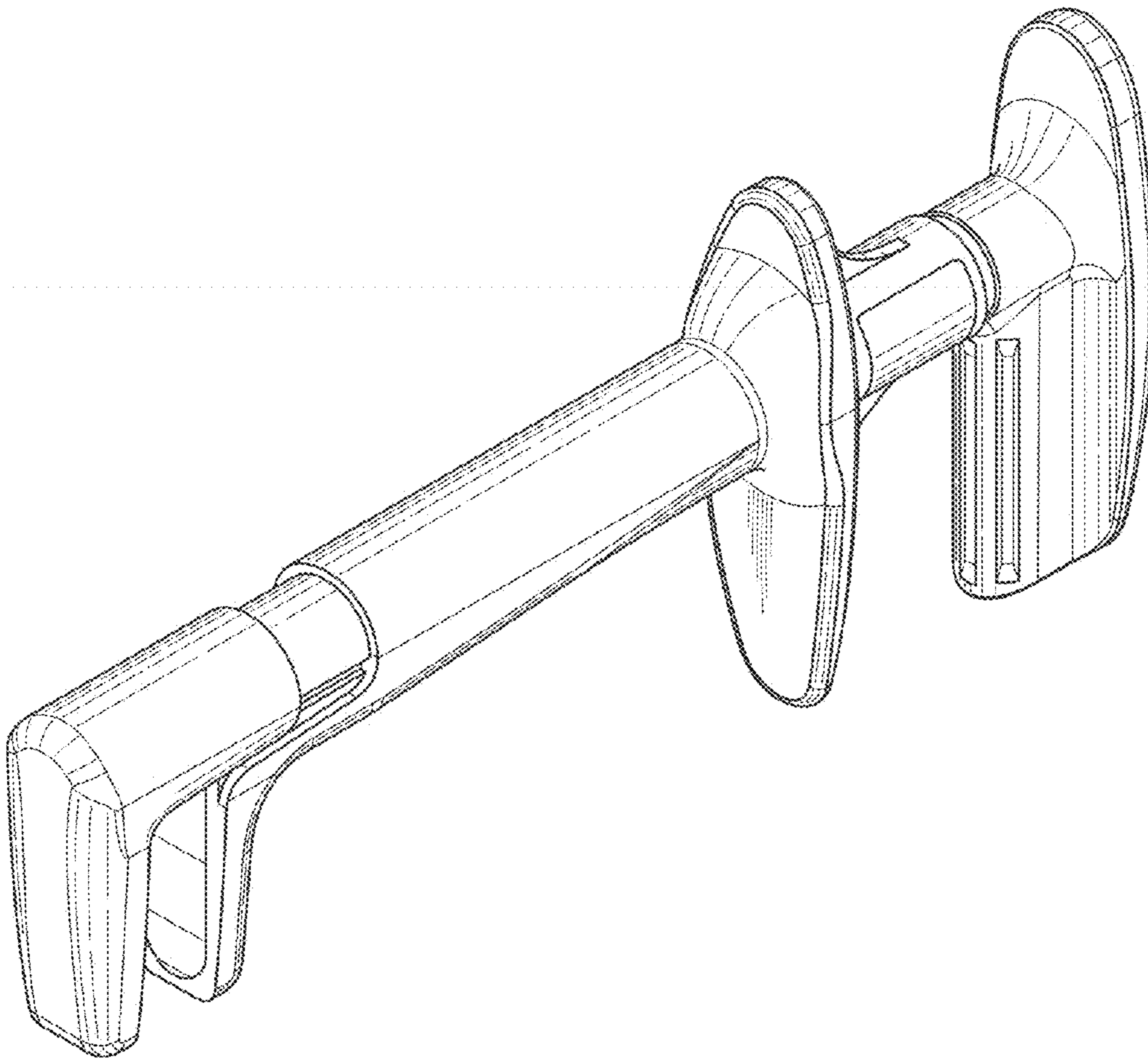


Figure 7

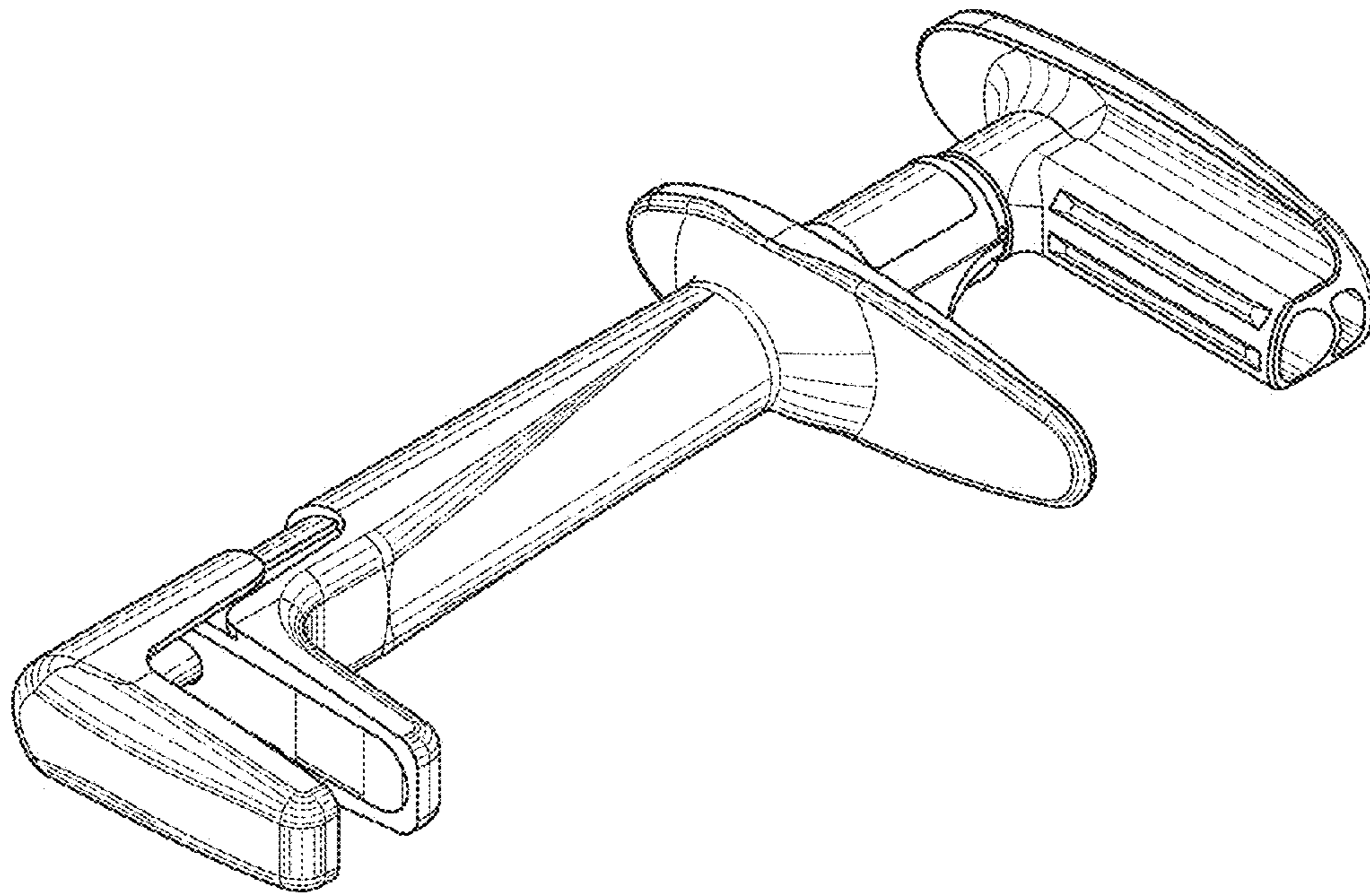


Figure 8