



US00D763052S

(12) **United States Design Patent**  
**Johnson**

(10) **Patent No.:** **US D763,052 S**  
(45) **Date of Patent:** **\*\* Aug. 9, 2016**

(54) **CHAINSAW SHARPENER GUIDE**  
(71) Applicant: **PMD INTERNATIONAL PTY LTD,**  
Essendon, Victoria (AU)  
(72) Inventor: **Brett Johnson,** New Norfolk (AU)  
(73) Assignee: **PMD International Pty Ltd.,** Essendon,  
Victoria (AU)  
(\*\*) Term: **14 Years**  
(21) Appl. No.: **29/517,206**  
(22) Filed: **Feb. 11, 2015**

(30) **Foreign Application Priority Data**  
Aug. 13, 2014 (AU) ..... 201413998  
(51) **LOC (10) Cl.** ..... **08-03**  
(52) **U.S. Cl.**  
USPC ..... **D8/70**  
(58) **Field of Classification Search**  
USPC ..... D8/7, 8, 9, 61, 62, 63, 64, 65, 66, 67,  
D8/70, 91; D15/138; D21/532; 30/123,  
30/138, 371, 381, 382, 383, 386; 83/832,  
83/833, 834; 123/185.3; 125/21; 451/28,  
451/419  
CPC .... B23D 57/023; B23D 63/168; B24B 3/368;  
B27B 17/00; B27B 17/02; B27B 17/025;  
B27B 33/14; B27B 33/141  
See application file for complete search history.

(56) **References Cited**  
**U.S. PATENT DOCUMENTS**  
D630,484 S \* 1/2011 Ruth ..... D8/70

D630,485 S \* 1/2011 Ruth ..... D8/70  
D630,922 S \* 1/2011 Ruth ..... D8/70  
D663,602 S \* 7/2012 Seigneur ..... D8/91  
D731,276 S \* 6/2015 Patterson ..... D8/65  
2007/0238402 A1 \* 10/2007 Hensley et al. .... B23D 63/168  
451/419  
2010/0229406 A1 \* 9/2010 Ruth ..... B27B 17/02  
30/384  
2011/0030223 A1 \* 2/2011 Seigneur ..... B23D 63/168  
30/138  
2014/0123499 A1 \* 5/2014 Martinsson ..... B23D 63/168  
30/138  
2014/0345149 A1 \* 11/2014 Etou ..... B27B 17/083  
30/383

\* cited by examiner

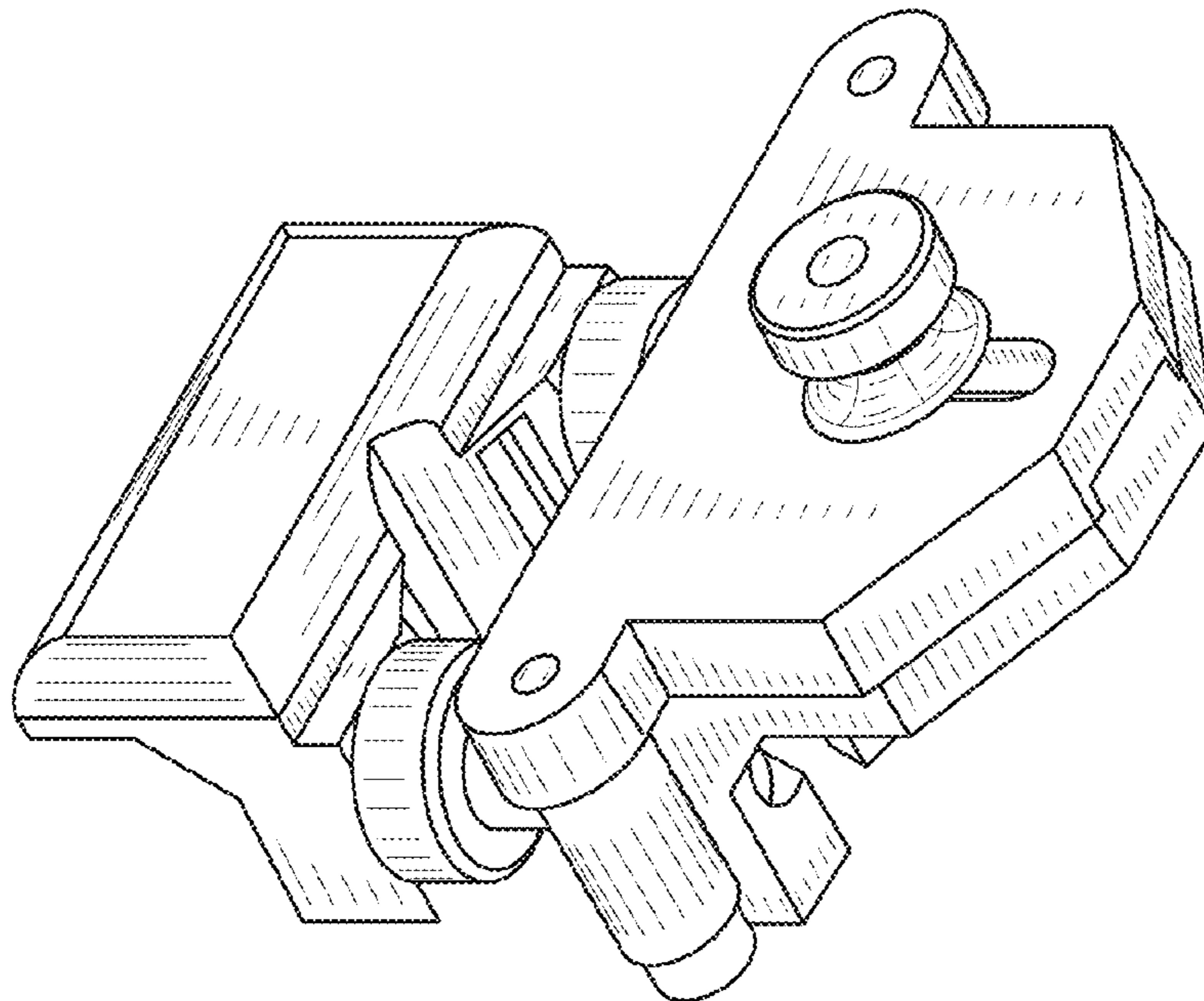
*Primary Examiner* — Philip S Hyder  
*Assistant Examiner* — Darlington Ly  
(74) *Attorney, Agent, or Firm* — J. Peter Paredes; David G.  
Rosenbaum; Rosenbaum IP, P.C.

(57) **CLAIM**  
The ornamental design for a chainsaw sharpener guide, as  
shown and described.

**DESCRIPTION**

FIG. 1 is a top perspective view a chainsaw sharpener guide in  
accordance with my design;  
FIG. 2 is a bottom perspective view thereof;  
FIG. 3 is a side elevation view thereof;  
FIG. 4 is a top plan view thereof; and,  
FIG. 5 is an end elevation view thereof.

**1 Claim, 2 Drawing Sheets**



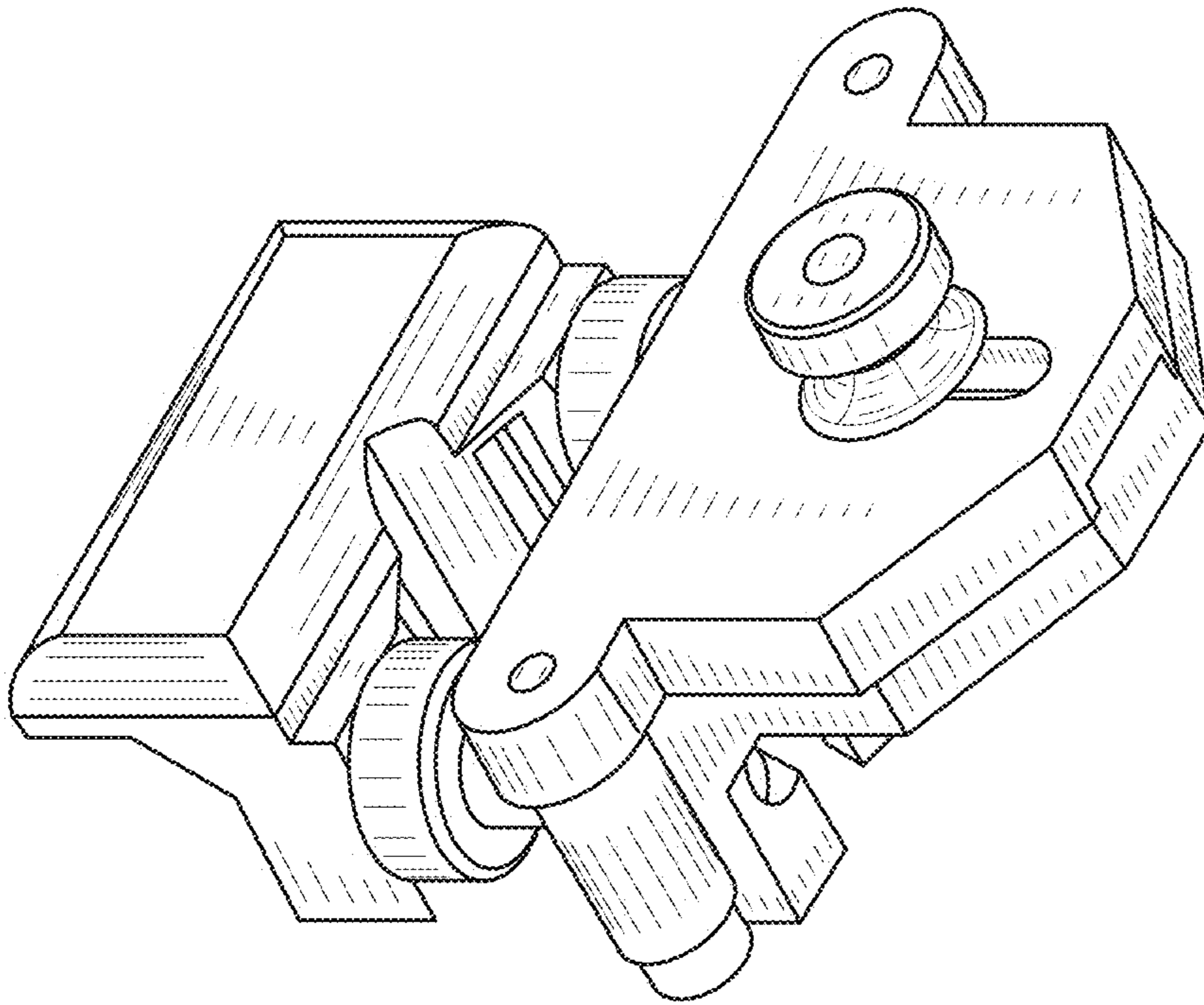


FIG 1.

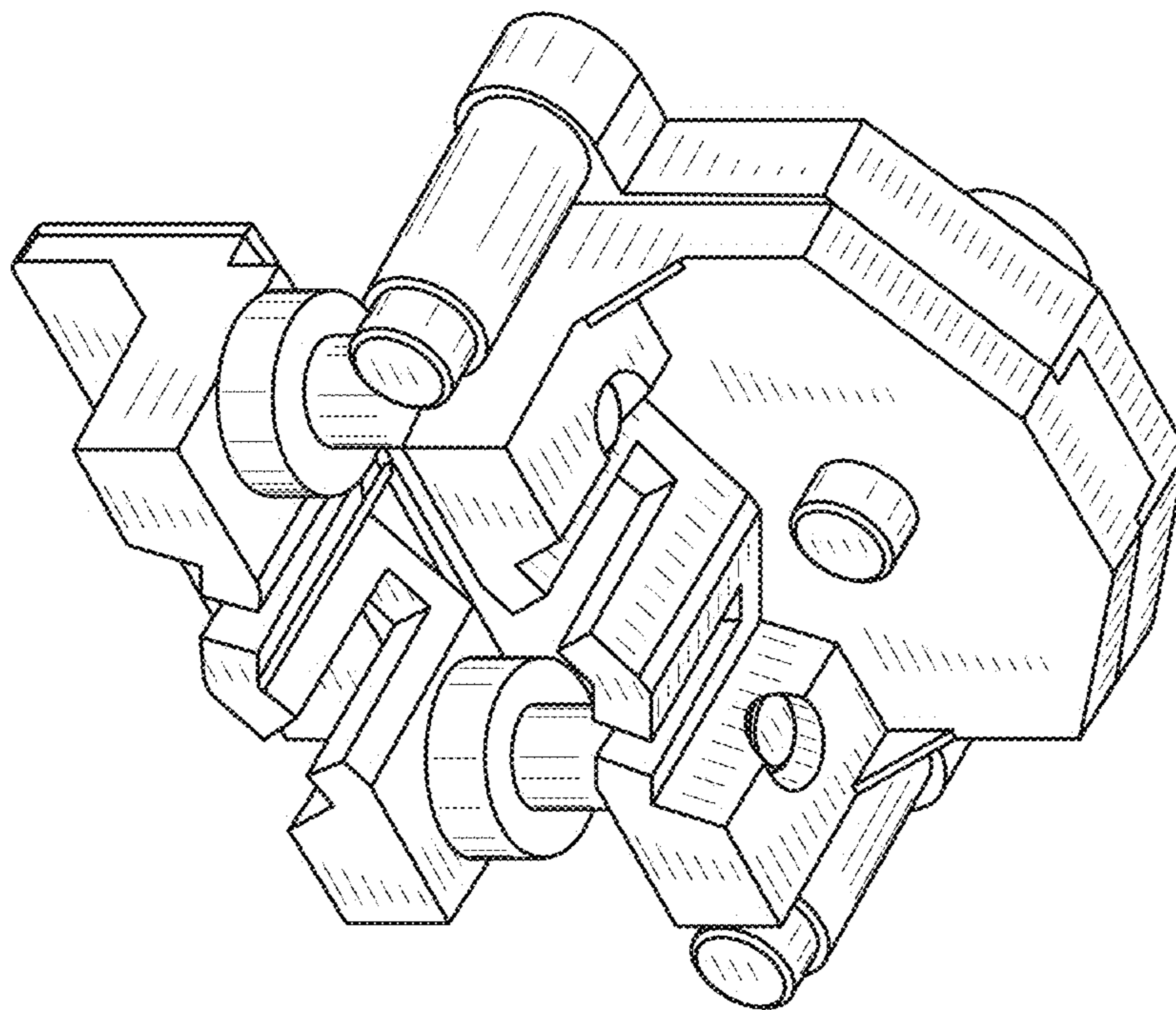


FIG 2.

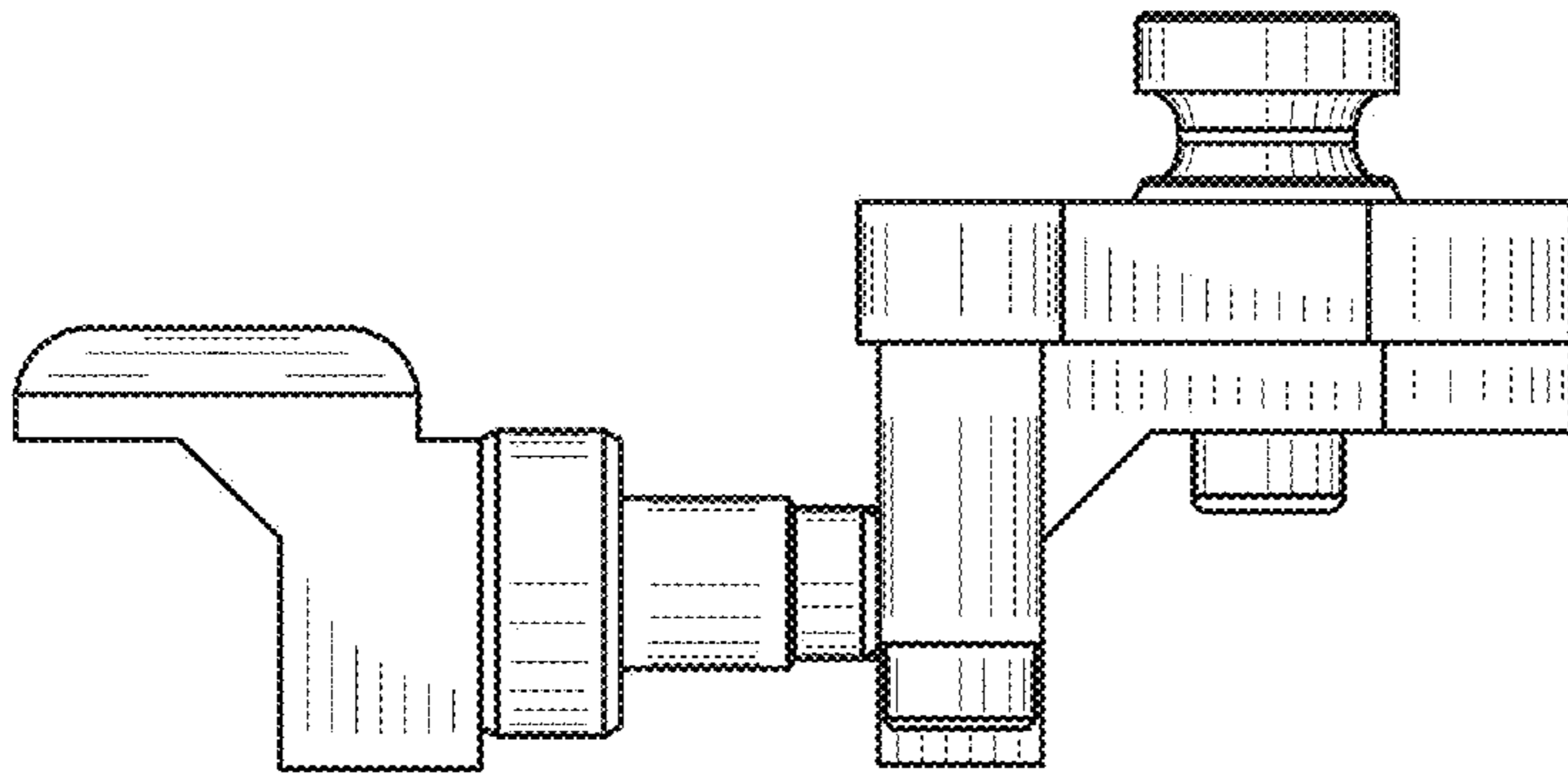


FIG 3.

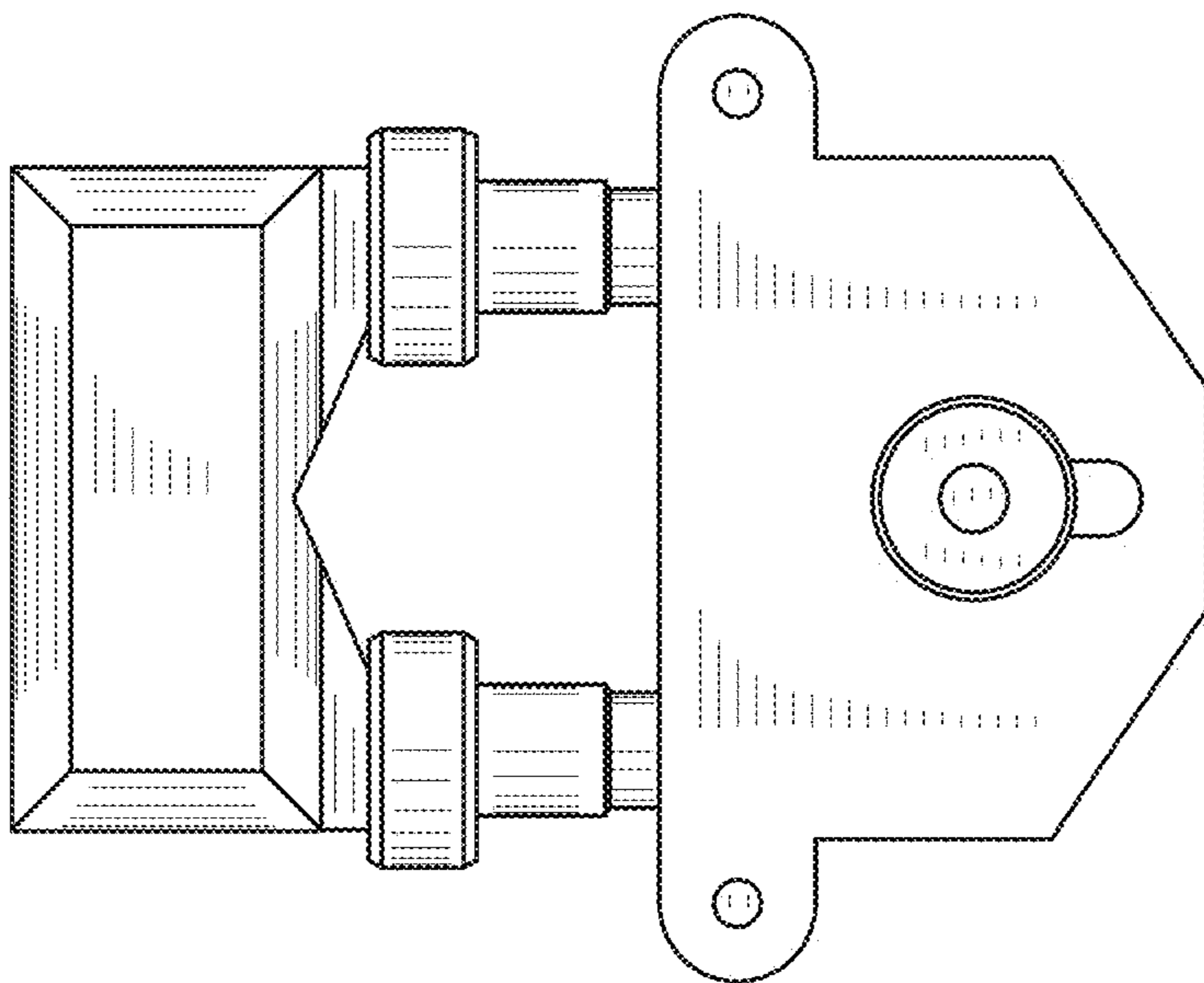


FIG 4.

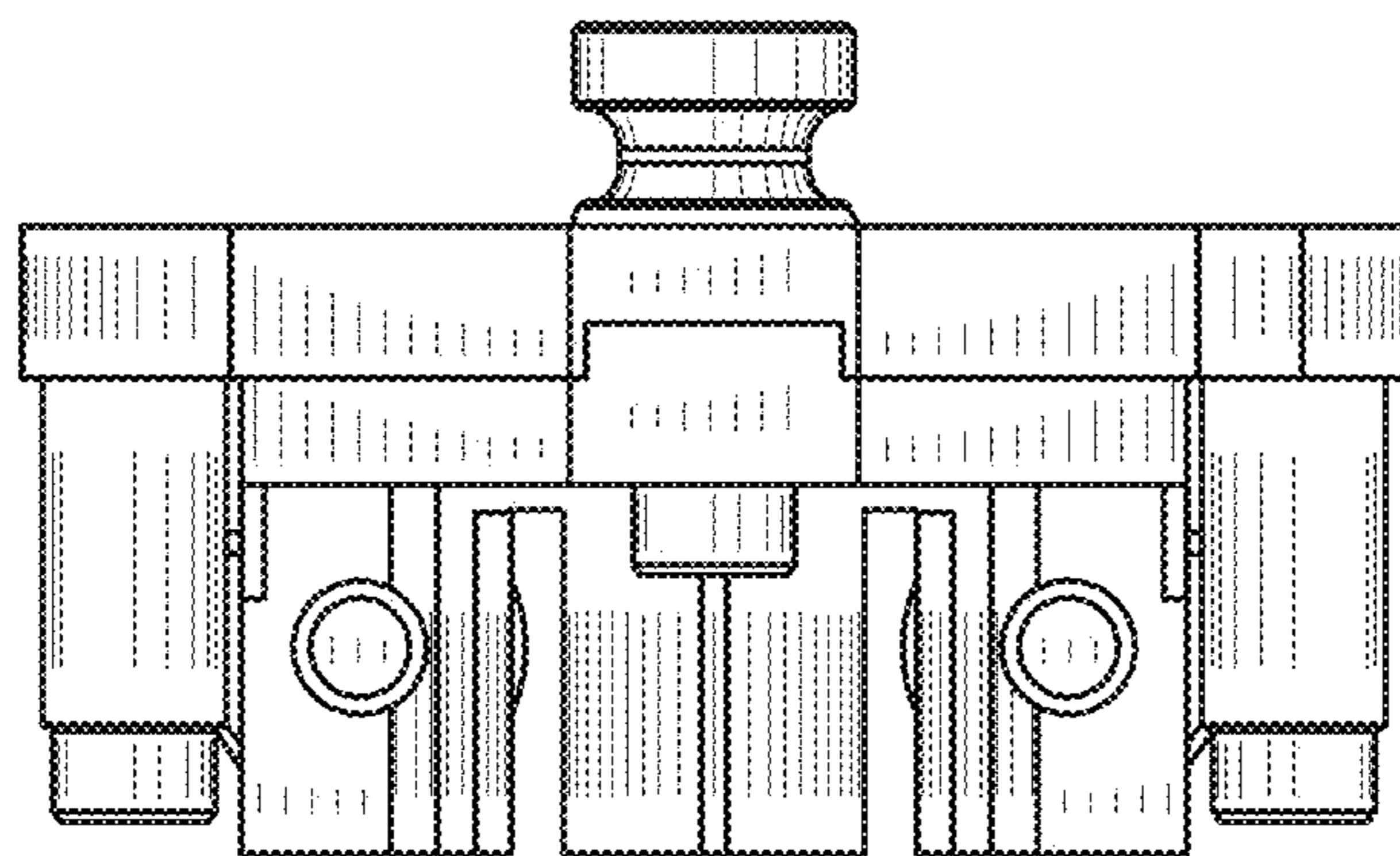


FIG 5.