

US00D763051S

(12) **United States Design Patent**  
**Tinius**

(10) **Patent No.:** **US D763,051 S**

(45) **Date of Patent:** **\*\* Aug. 9, 2016**

(54) **CHAINSAW**

(71) Applicant: **Andreas Stihl AG & Co. KG**,  
Waiblingen (DE)

(72) Inventor: **Michael Tinius**, Ulm (DE)

(73) Assignee: **Andreas Stihl AG & CO. KG**,  
Waiblingen (DE)

(\*\*) Term: **14 Years**

(21) Appl. No.: **29/499,541**

(22) Filed: **Aug. 15, 2014**

(30) **Foreign Application Priority Data**

Apr. 4, 2014 (EM) ..... 002440180-0002

(51) **LOC (10) Cl.** ..... **08-03**

(52) **U.S. Cl.**  
USPC ..... **D8/65**

(58) **Field of Classification Search**

USPC ..... D8/65, 7, 8, 9, 66, 64, 61, 98, 14, 51,  
D8/99, 107, 70, 68, 60, 85, 21, 25, 24, 29,  
D8/36, 40; 30/386, 382, 123, 381, 165,  
30/123.3, 123.4, 319, 292, 307, 162, 306,  
30/263, 92, 371; 125/21; D21/532;  
83/832, 833, 834; 74/54, 49

CPC ..... B27B 17/02  
See application file for complete search history.

(56) **References Cited**

**U.S. PATENT DOCUMENTS**

D216,384 S 12/1969 George  
3,583,106 A 6/1971 Dobbertin  
3,620,269 A 11/1971 Lange et al.  
3,680,608 A 8/1972 Emmerich et al.

3,733,700 A 5/1973 Notaras et al.  
3,845,827 A 11/1974 Schulin  
D237,352 S 10/1975 Shymkus  
4,178,685 A 12/1979 Inaga  
4,188,935 A 2/1980 Tubesing  
4,197,640 A 4/1980 Murray  
D255,770 S 7/1980 Asamoto  
D256,584 S 8/1980 Tuggle et al.  
D273,456 S 4/1984 McDougall et al.  
4,534,005 A 8/1985 Nagashima et al.  
4,602,656 A 7/1986 Nagashima et al.

(Continued)

*Primary Examiner* — Austin Murphy

(74) *Attorney, Agent, or Firm* — McGuireWoodsLLP

(57) **CLAIM**

I claim the ornamental design for a chainsaw, as shown and described.

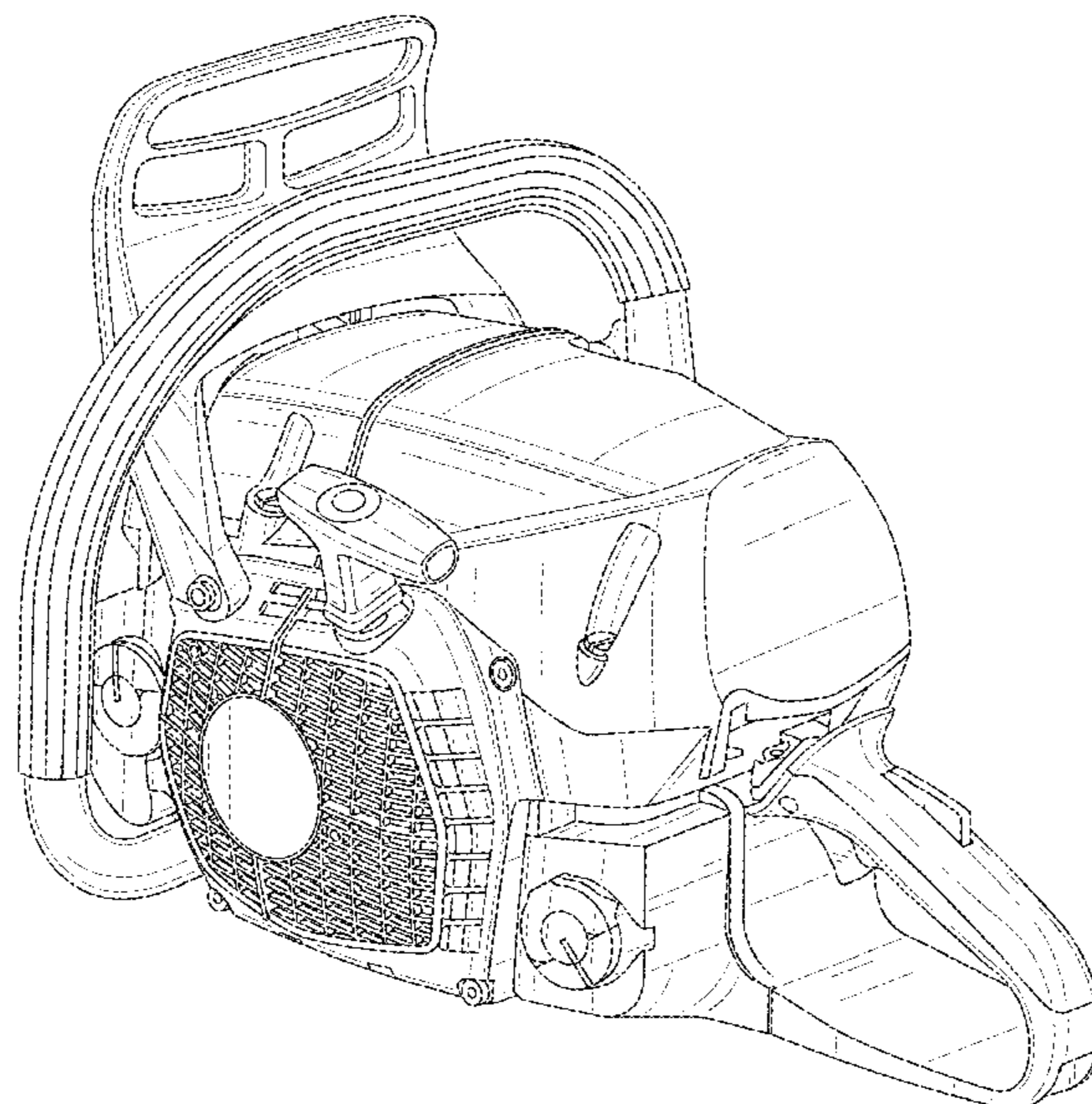
**DESCRIPTION**

The present application also relates to U.S. design patent application Ser. No. 29/499,703, titled "Chan Sprocket Cover".

FIG. 1 is a right-rear perspective view of the chainsaw;  
FIG. 2 is a front view of the chainsaw shown in FIG. 1;  
FIG. 3 is a rear view of the chainsaw shown in FIG. 1;  
FIG. 4 is a left side of the chainsaw shown in FIG. 1;  
FIG. 5 is a right side view of the chainsaw shown in FIG. 1;  
FIG. 6 is a top view of the chainsaw shown in FIG. 1; and,  
FIG. 7 is a bottom view of the chainsaw shown in FIG. 1.  
Applicant expressly reserves the right to modify FIGS. 1-7 to include, in line drawing format, any one or all of the features shown (i.e., shown in either dashed-lines or solid lines) in FIGS. 1-7.

The subject matter shown in dashed lines, and any surfaces of the design not shown, including interior surfaces, form no part of the claimed invention.

**1 Claim, 7 Drawing Sheets**



(56)

References Cited

U.S. PATENT DOCUMENTS

4,630,372 A	12/1986	Nagashima	D579,742 S	11/2008	Arvidsson et al.	
4,654,970 A	4/1987	Nagashima	D580,724 S	11/2008	Tinius	
4,662,071 A	5/1987	Hoppner et al.	D596,912 S	7/2009	Arvidsson et al.	
4,683,660 A	8/1987	Schurr	D606,829 S	12/2009	Tinius	
4,693,006 A	9/1987	Wehle	D607,292 S	1/2010	Tinius	
H378 H	12/1987	Matsumoto	D607,293 S	1/2010	Tinius	
D295,713 S	5/1988	Nagashima et al.	D609,070 S	2/2010	Tinius	
4,753,012 A	6/1988	Schurr	D615,836 S	5/2010	Kosugi et al.	
4,809,438 A	3/1989	Nagashima et al.	D623,487 S	9/2010	Tinius	
4,819,332 A	4/1989	Sugihara et al.	D633,353 S	3/2011	Tinius	
D303,207 S	9/1989	Narakima	D633,766 S	3/2011	Tinius	
4,939,842 A	7/1990	Rebhan	D636,652 S	4/2011	Mehra	
5,029,393 A	7/1991	Nagashima et al.	D640,110 S	6/2011	Tinius	
5,038,474 A	8/1991	Larsson et al.	D640,111 S	6/2011	Tinius	
D320,728 S	10/1991	Arvidsson	D641,603 S	7/2011	Tinius	
5,070,618 A	12/1991	Edlund	D645,315 S	9/2011	Tinius	
D325,330 S	4/1992	Barnhill	D647,773 S	11/2011	Sugishita et al.	
5,212,886 A	5/1993	Tasaki	D649,852 S	12/2011	Tinius	
5,233,750 A	8/1993	Wolf et al.	D649,853 S	12/2011	Tinius	
D361,251 S	8/1995	Griffin	D651,061 S	12/2011	Tinius	
D364,326 S	11/1995	Lohse et al.	D651,497 S	1/2012	Worsnop	
D365,262 S	12/1995	Beaulieu et al.	D658,959 S	5/2012	Landberg	
5,485,814 A	1/1996	Tuggle et al.	D658,960 S	5/2012	Landberg	
5,570,512 A	11/1996	Hoppner	D662,801 S	7/2012	Tinius	
D377,441 S	1/1997	Hoppner et al.	D663,182 S	7/2012	Schoening et al.	
D378,184 S	2/1997	Naslund et al.	D663,599 S	7/2012	Tinius	
D385,766 S	11/1997	Kondo et al.	D668,923 S	10/2012	Tinius	
D386,958 S	12/1997	Karlsson et al.	D669,329 S	10/2012	Tinius	
5,826,478 A	10/1998	Zerrer	D670,144 S	11/2012	Tinius	
5,855,067 A	1/1999	Taomo et al.	D681,412 S	5/2013	Ortlund et al.	
D408,247 S	4/1999	Juratovac et al.	D690,570 S	10/2013	Tinius	
D412,652 S	8/1999	Durr et al.	D701,102 S	3/2014	Itoh et al.	
5,992,025 A	11/1999	Fricke	D702,098 S	4/2014	Landberg	
6,016,604 A	1/2000	Wolf et al.	D707,094 S *	6/2014	Carl .....	D8/65
D445,657 S	7/2001	Jong	D711,700 S *	8/2014	Mehra .....	D8/65
6,374,501 B1	4/2002	Claesson	D711,716 S	8/2014	Tinius	
D466,957 S	12/2002	Visnick	D725,452 S *	3/2015	Carl .....	D8/65
6,546,631 B2	4/2003	Lida et al.	D729,027 S *	5/2015	Tinius .....	D8/65
6,591,826 B1	7/2003	Donnerdal	D731,868 S *	6/2015	Tinius .....	D8/65
6,637,117 B2	10/2003	Kobayashi	D737,646 S *	9/2015	Tinius .....	D8/65
D481,601 S	11/2003	Ashfield	D738,175 S *	9/2015	Tinius .....	D8/65
D505,602 S	5/2005	Houghton	D741,678 S *	10/2015	Tinius .....	D8/65
6,955,152 B2	10/2005	Uhl et al.	D744,308 S *	12/2015	Tinius .....	D8/65
6,973,726 B2	12/2005	Kramer	2001/0003983 A1	6/2001	Lida et al.	
D530,175 S	10/2006	Arvidsson et al.	2002/0073551 A1	6/2002	Goodwin	
7,137,877 B2	11/2006	Uhl et al.	2002/0124421 A1	9/2002	Hermes et al.	
D533,757 S	12/2006	Arvidsson et al.	2002/0129502 A1	9/2002	Durr et al.	
7,168,132 B2	1/2007	Durr et al.	2003/0051351 A1	3/2003	Buchholtz et al.	
D538,123 S	3/2007	Yates	2003/0088987 A1	5/2003	Jong	
D545,157 S	6/2007	Fisher et al.	2003/0167642 A1	9/2003	Chen	
D547,630 S	7/2007	Fisher et al.	2003/0188618 A1	10/2003	Menzel et al.	
D549,537 S	8/2007	Harada et al.	2004/0016133 A1	1/2004	Gorenflo et al.	
D558,019 S	12/2007	Granberg et al.	2004/0103857 A1	6/2004	Kruse	
D558,020 S	12/2007	Karlsson et al.	2006/0137653 A1	6/2006	Amend et al.	
D561,551 S	2/2008	Tinius	2006/0230900 A1	10/2006	Bergquisto	
D563,747 S	3/2008	Tinius	2006/0254557 A1	11/2006	Hamisch et al.	
D573,860 S	7/2008	Shimokawa et al.	2008/0196687 A1	8/2008	Kohler et al.	
D574,207 S	8/2008	Arnesson et al.	2012/0102765 A1	5/2012	Andersson et al.	
D576,005 S	9/2008	Shimokawa et al.	2013/0091715 A1	4/2013	Zimmermann et al.	
D577,557 S	9/2008	Shimokawa et al.	2014/0283665 A1	9/2014	Seigneur et al.	
			2014/0290074 A1	10/2014	Takayanagi et al.	

\* cited by examiner

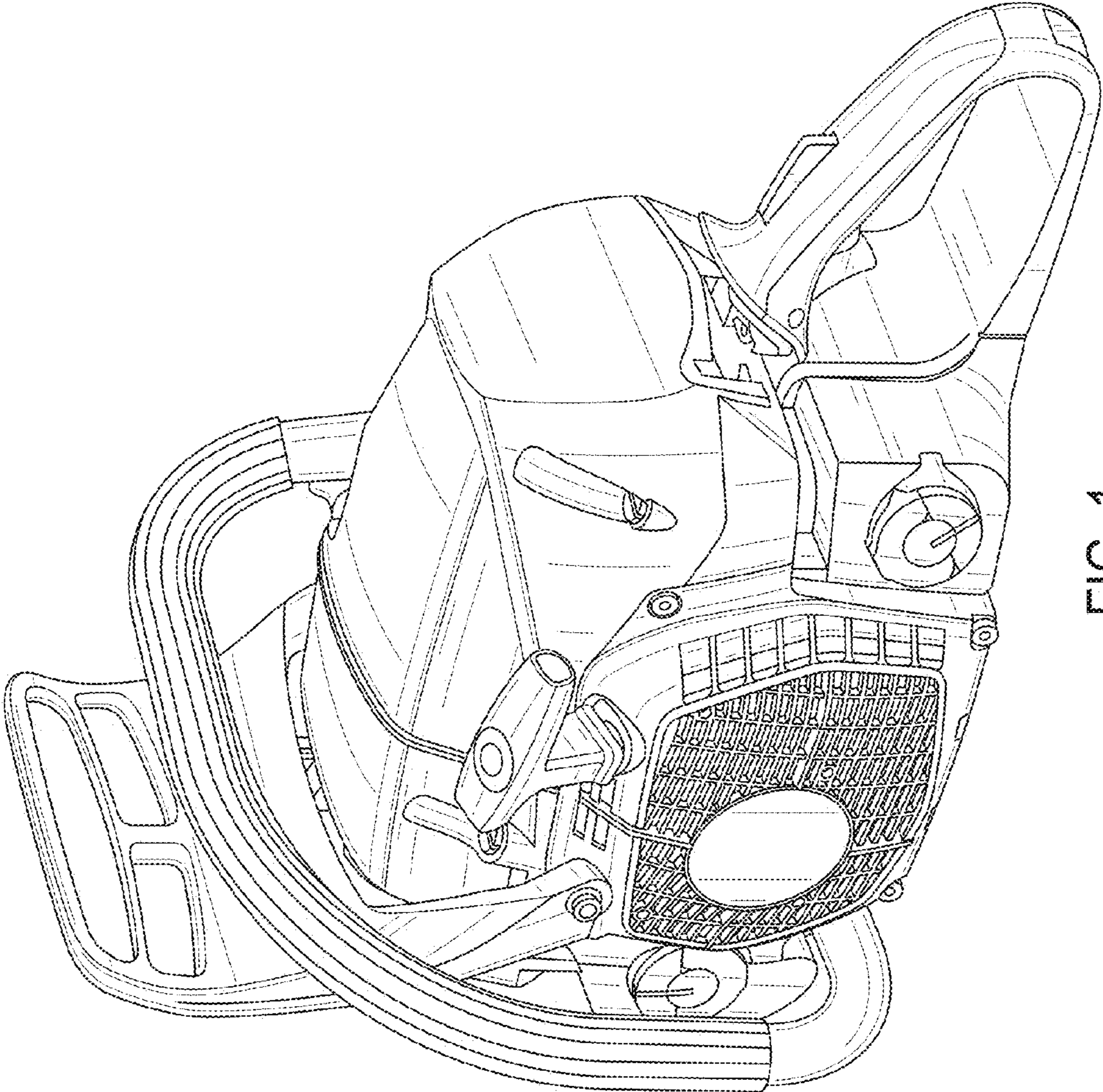


FIG. 1

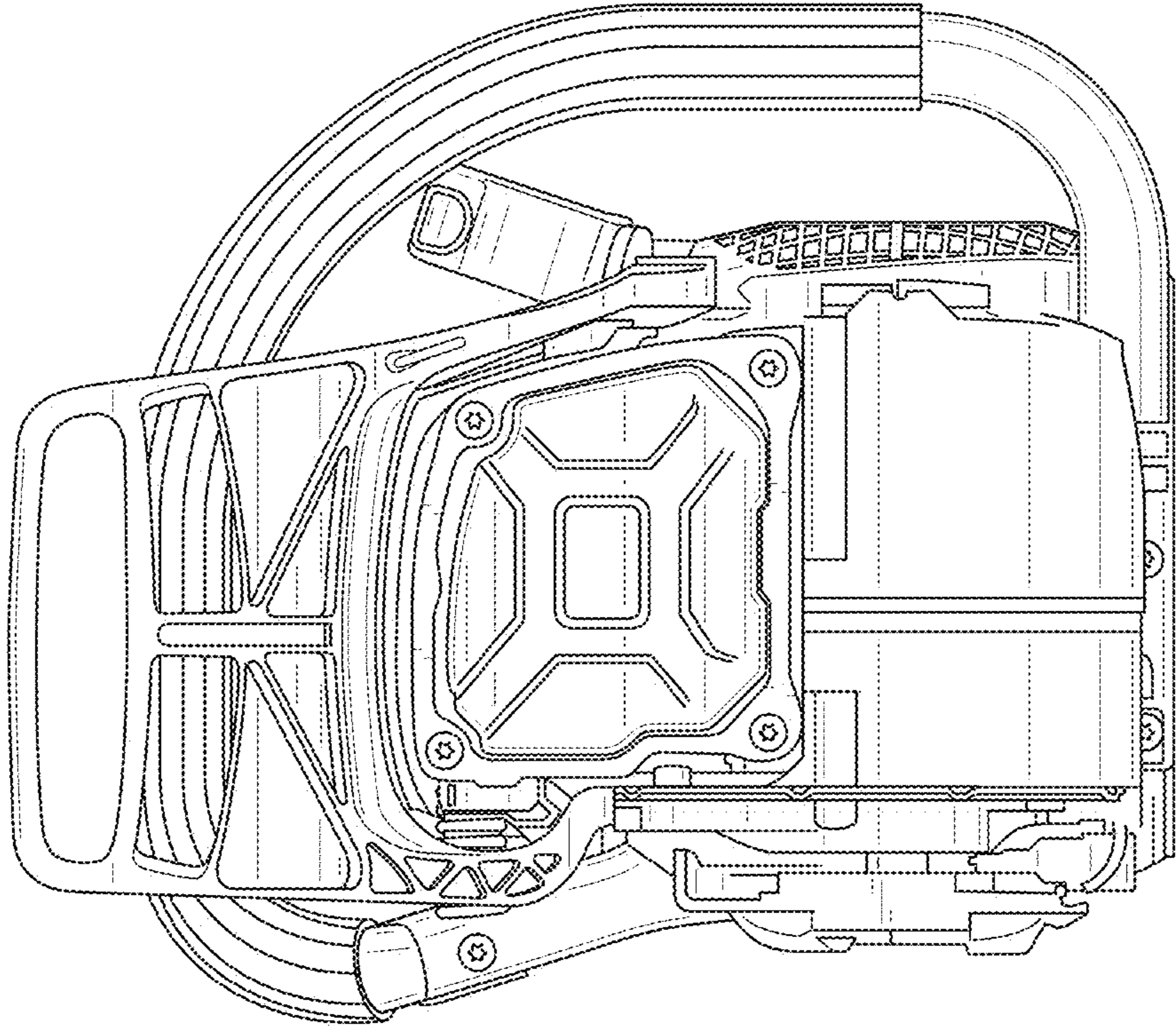


FIG. 2

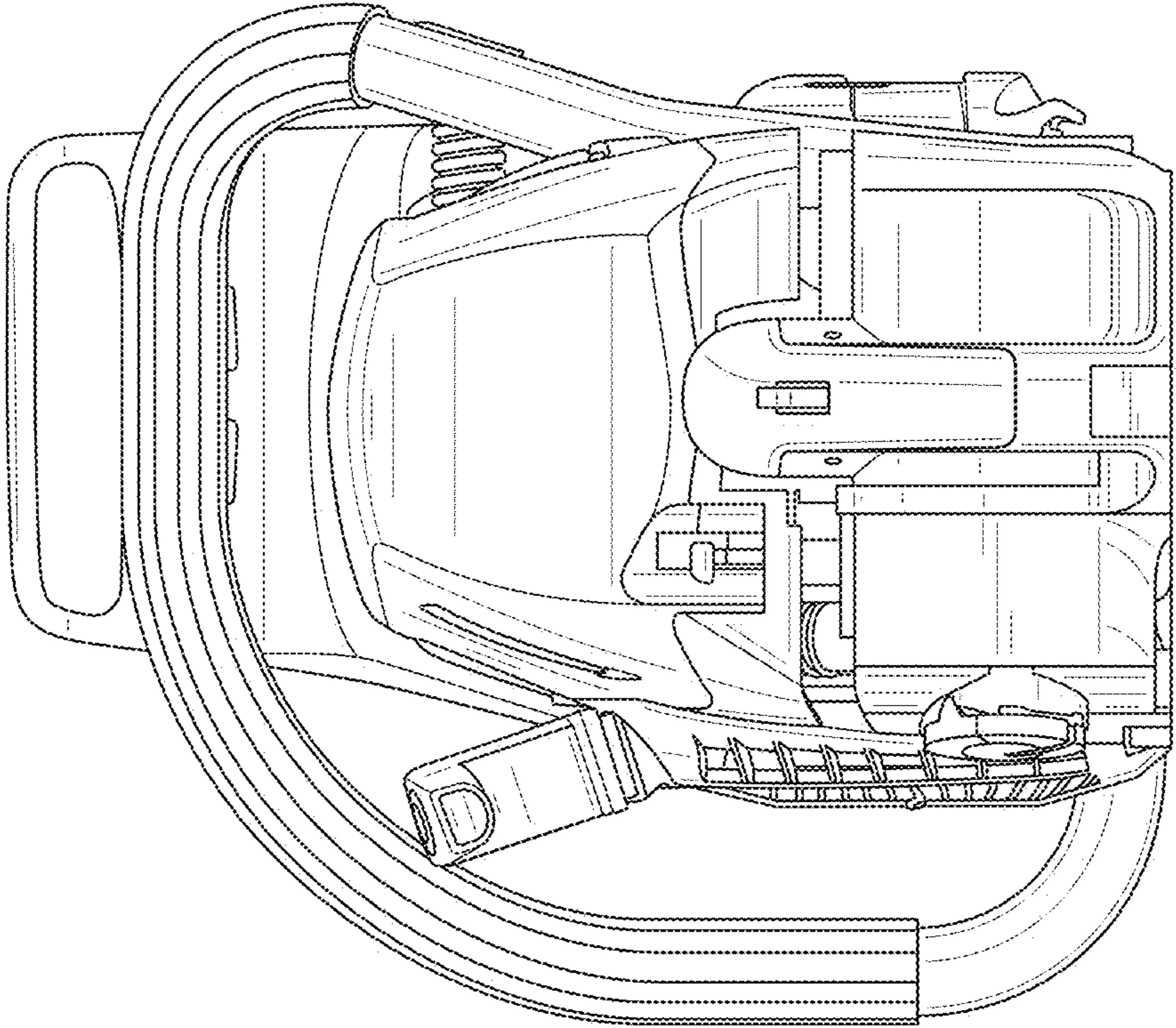


FIG. 3

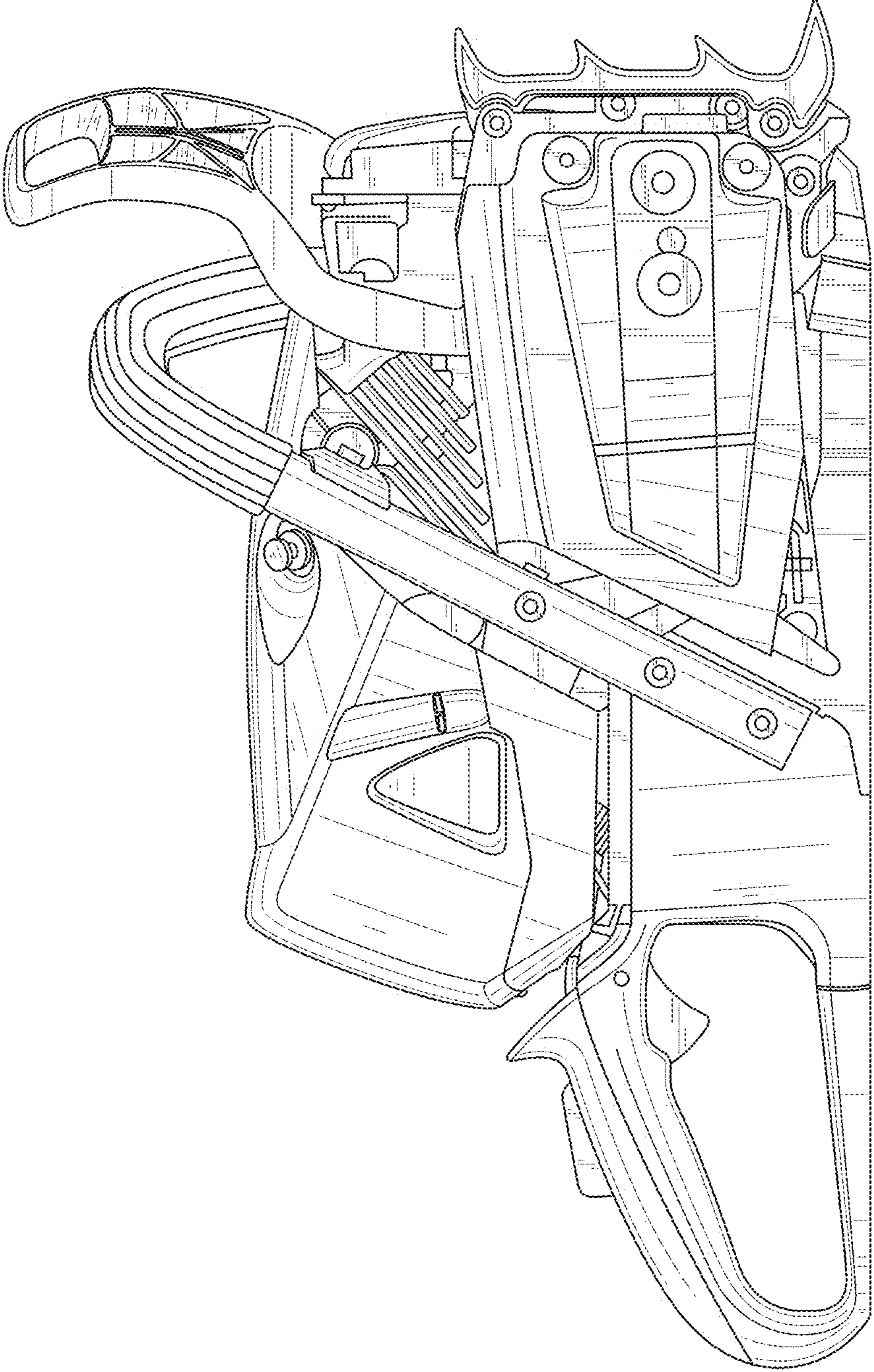


FIG. 4

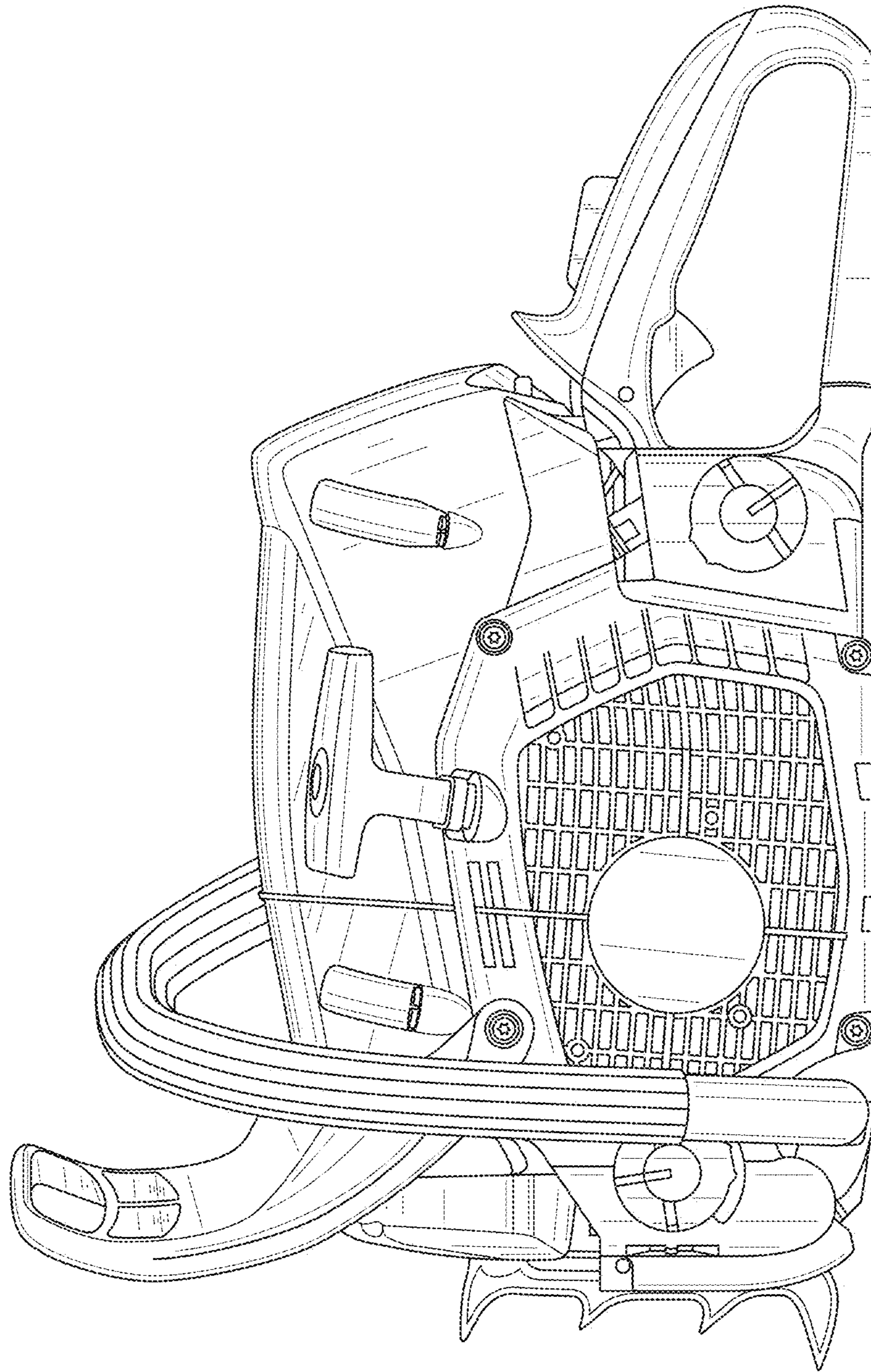


FIG. 5

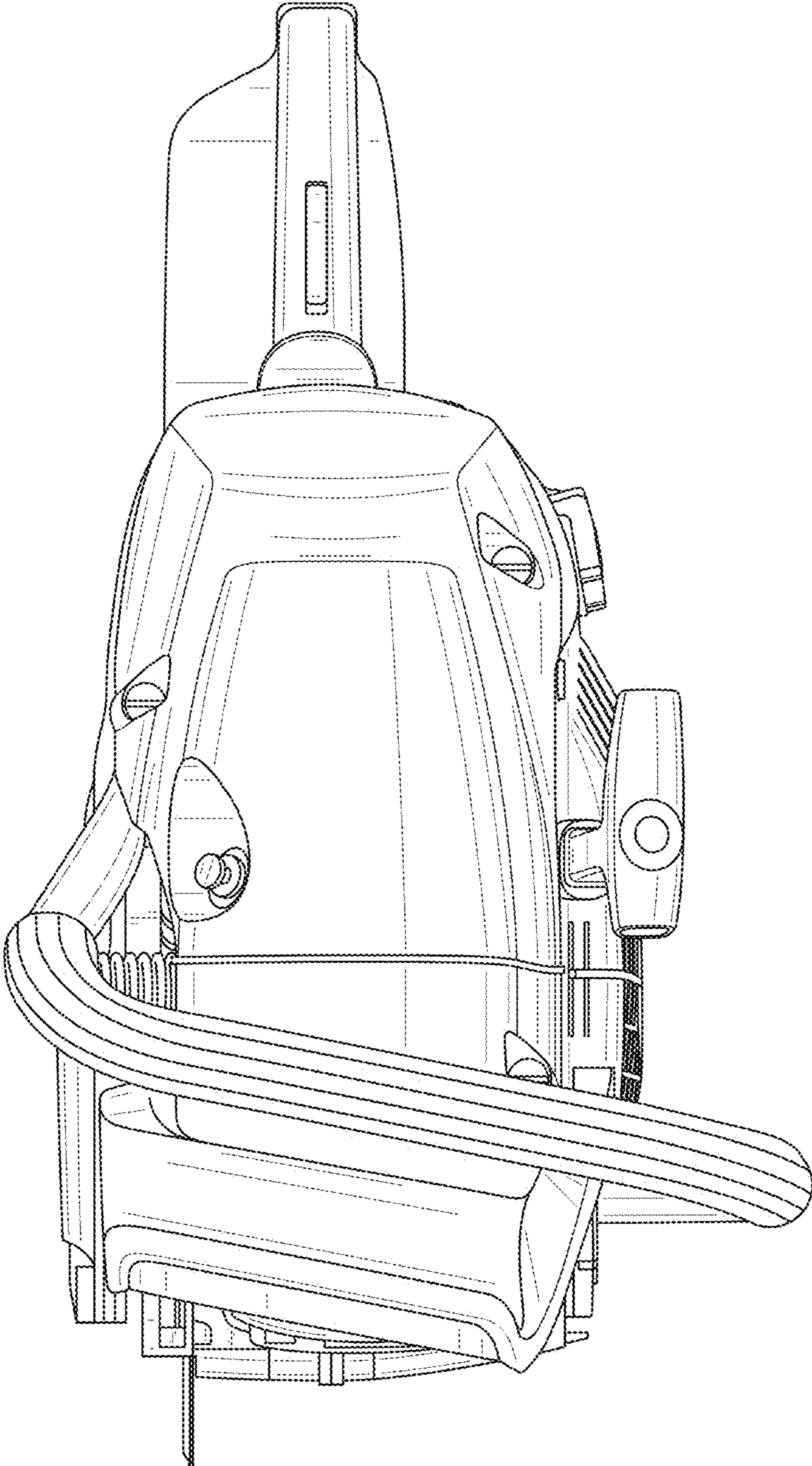


FIG. 6



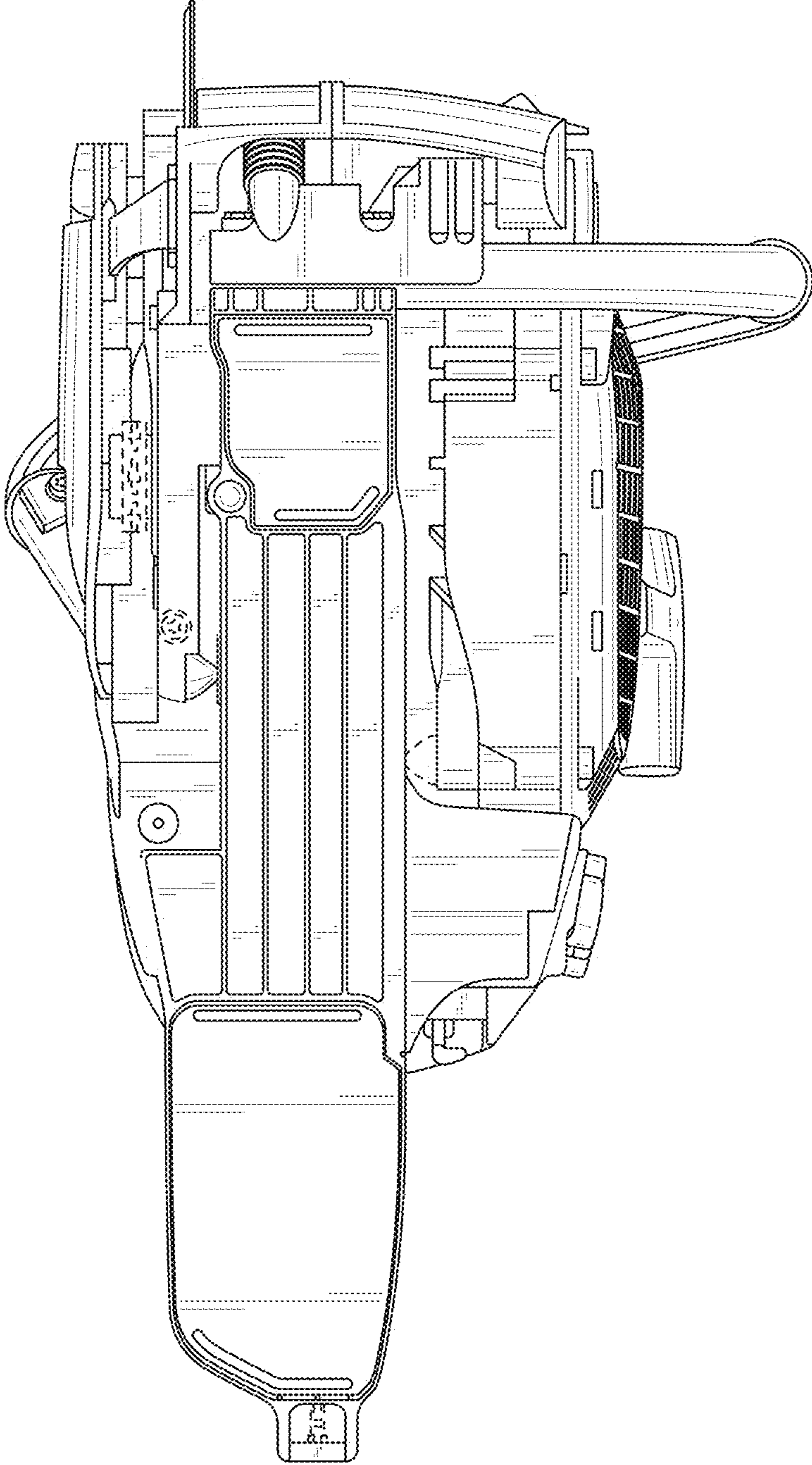


FIG. 7