



US00D763050S

(12) **United States Design Patent**
Wu

(10) **Patent No.:** **US D763,050 S**
(45) **Date of Patent:** **** Aug. 9, 2016**

- (54) **LOCKING PLIERS**
- (71) Applicant: **Gong Maw Enterprise Co., Ltd.,**
Taichung (TW)
- (72) Inventor: **Ming-Chieh Wu,** Taichung (TW)
- (73) Assignee: **Gong Maw Enterprise Co., Ltd.,**
Taichung (TW)
- (**) Term: **14 Years**
- (21) Appl. No.: **29/521,283**
- (22) Filed: **Mar. 23, 2015**
- (51) **LOC (10) Cl.** **08-05**
- (52) **U.S. Cl.**
USPC **D8/52**
- (58) **Field of Classification Search**
USPC D8/4, 51, 52, 53, 54, 55, 56, 71, 72, 73,
D8/81, 104, 105, 106; D21/532
CPC B25B 5/163; B25B 5/12; B25B 7/123;
B25B 7/12; B25B 5/06; B25B 7/04; B25B
7/10
See application file for complete search history.

- D426,440 S * 6/2000 Torres D8/52
- D506,907 S * 7/2005 Olivarez D8/14
- 7,779,733 B1 * 8/2010 Dumback B25B 7/02
29/426.1
- D646,135 S * 10/2011 Huff D8/51
- D650,253 S * 12/2011 Liu D8/52
- 2006/0025863 A1 * 2/2006 Lamprich A61F 2/442
623/17.16
- 2007/0051213 A1 * 3/2007 Tyler B25B 5/163
81/367
- 2010/0162859 A1 * 7/2010 Roppolo B25B 7/02
81/321
- 2010/0320663 A1 * 12/2010 Wasinger B25B 7/02
269/8
- 2011/0302764 A1 * 12/2011 Smith B25B 7/02
29/505
- 2015/0020650 A1 * 1/2015 Ford B25B 7/04
81/319

* cited by examiner

Primary Examiner — Sheryl Lane

Assistant Examiner — Iesha Price

(74) *Attorney, Agent, or Firm* — Alan D. Kamrath; Kamrath
IP Lawfirm, P.A.

(57) **CLAIM**

The ornamental design for locking pliers, as shown and
described.

DESCRIPTION

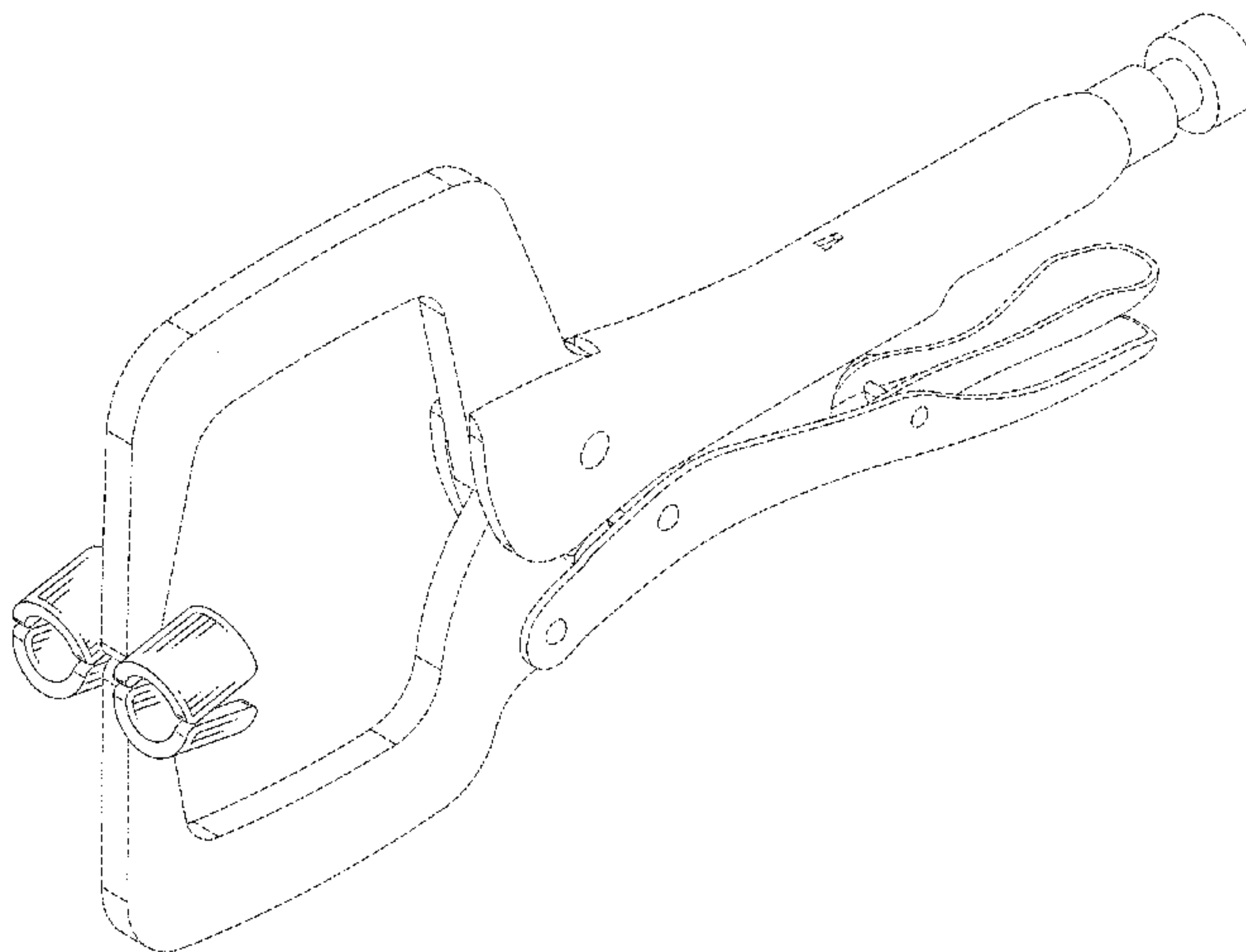
FIG. 1 is a perspective view of locking pliers showing my new
design;
FIG. 2 is a right view thereof;
FIG. 3 is a left view thereof;
FIG. 4 is a front view thereof;
FIG. 5 is a rear view thereof;
FIG. 6 is a top view thereof; and,
FIG. 7 is a bottom view thereof.
The broken line shown in the drawing disclosure represents
the environment of the claimed design and forms no part
thereof.

1 Claim, 5 Drawing Sheets

(56) **References Cited**

U.S. PATENT DOCUMENTS

- D54,516 S * 2/1920 Durham D8/58
- D124,211 S * 12/1940 Swearingen D8/58
- 4,386,461 A * 6/1983 Plummer H01R 43/015
29/749
- 4,872,709 A * 10/1989 Stack B25B 7/02
285/39
- D350,465 S * 9/1994 Walsky D8/52
- 5,591,203 A * 1/1997 Fahy A61B 17/11
433/159
- 6,000,304 A * 12/1999 Hegemier B25B 7/123
59/7
- 6,000,686 A * 12/1999 Yates B25B 5/12
269/143
- 6,029,330 A * 2/2000 Ratia, Jr. B25B 7/02
257/E23.086



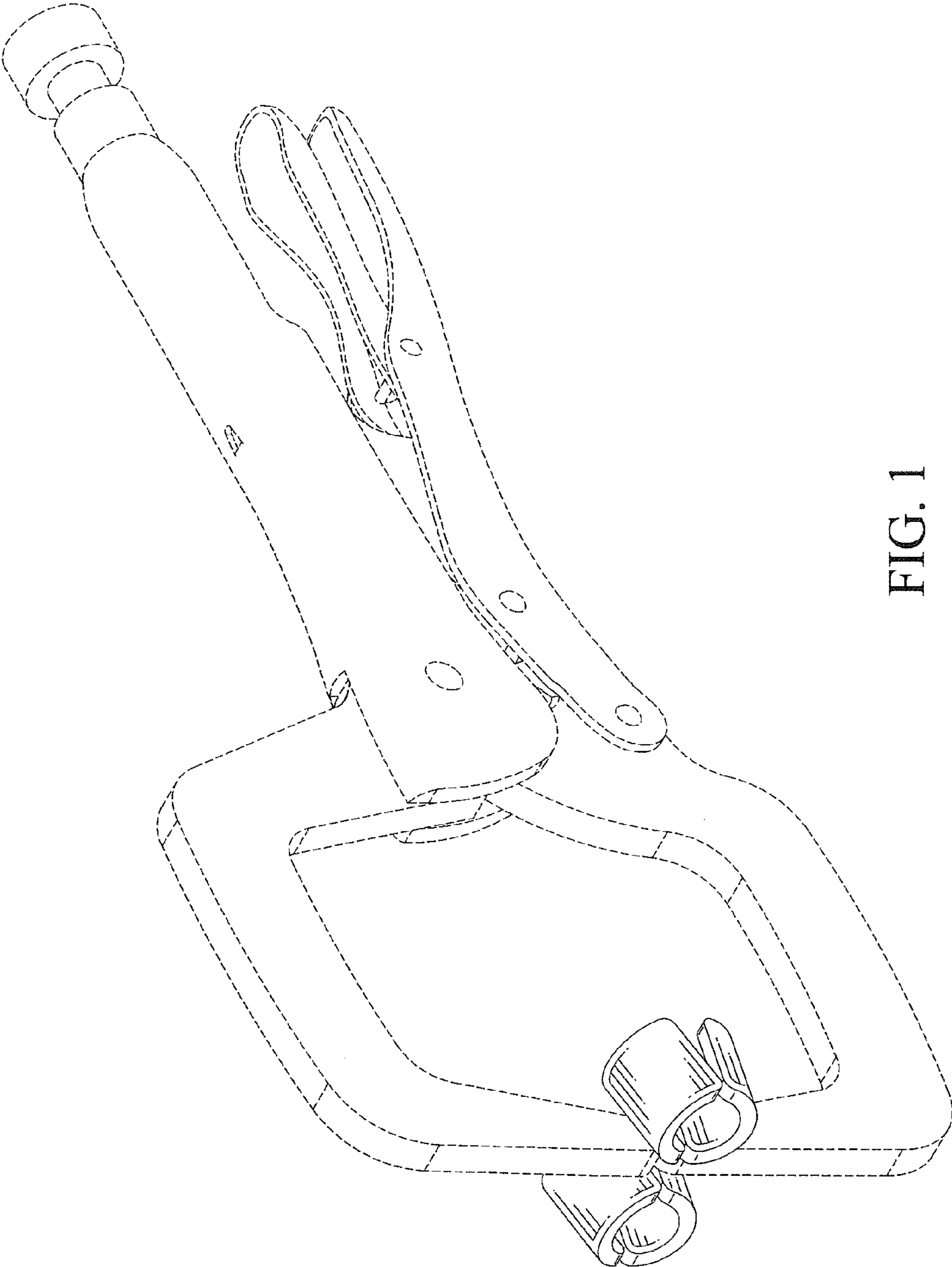


FIG. 1

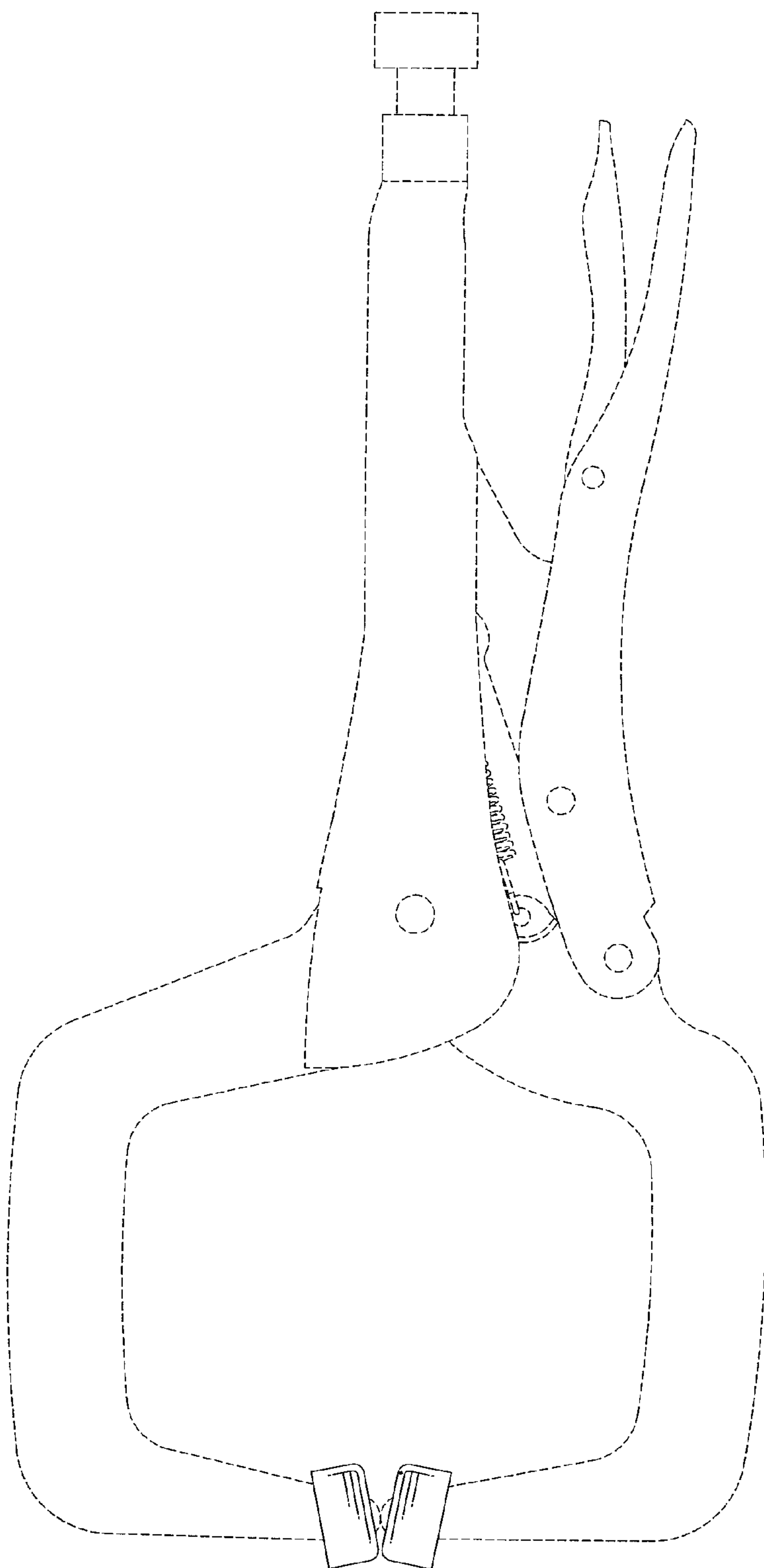


FIG. 2

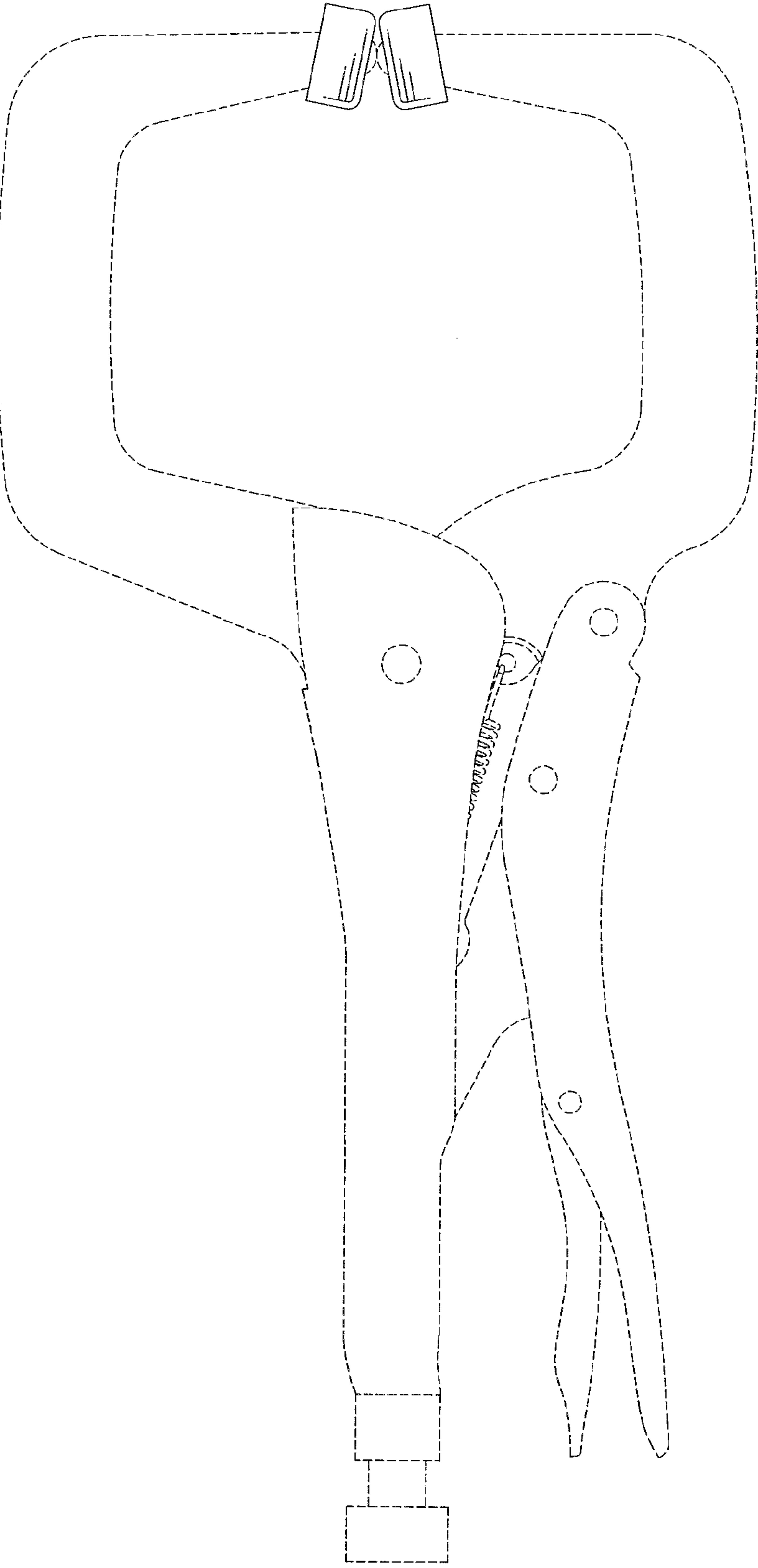


FIG. 3

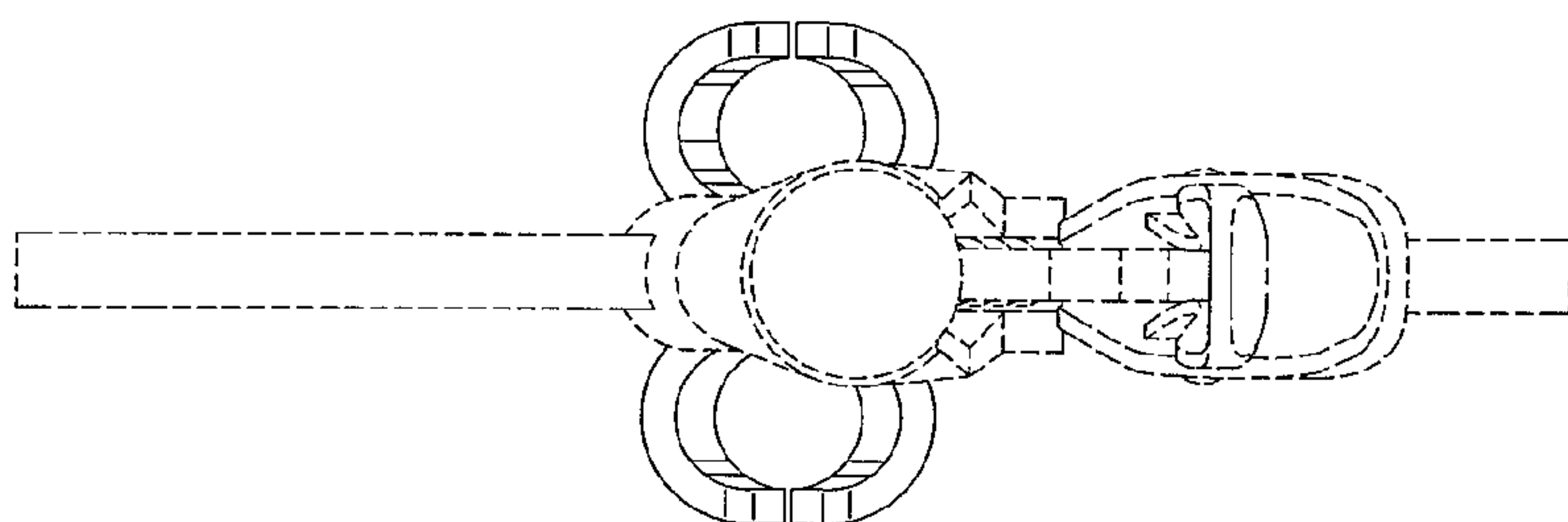


FIG. 5

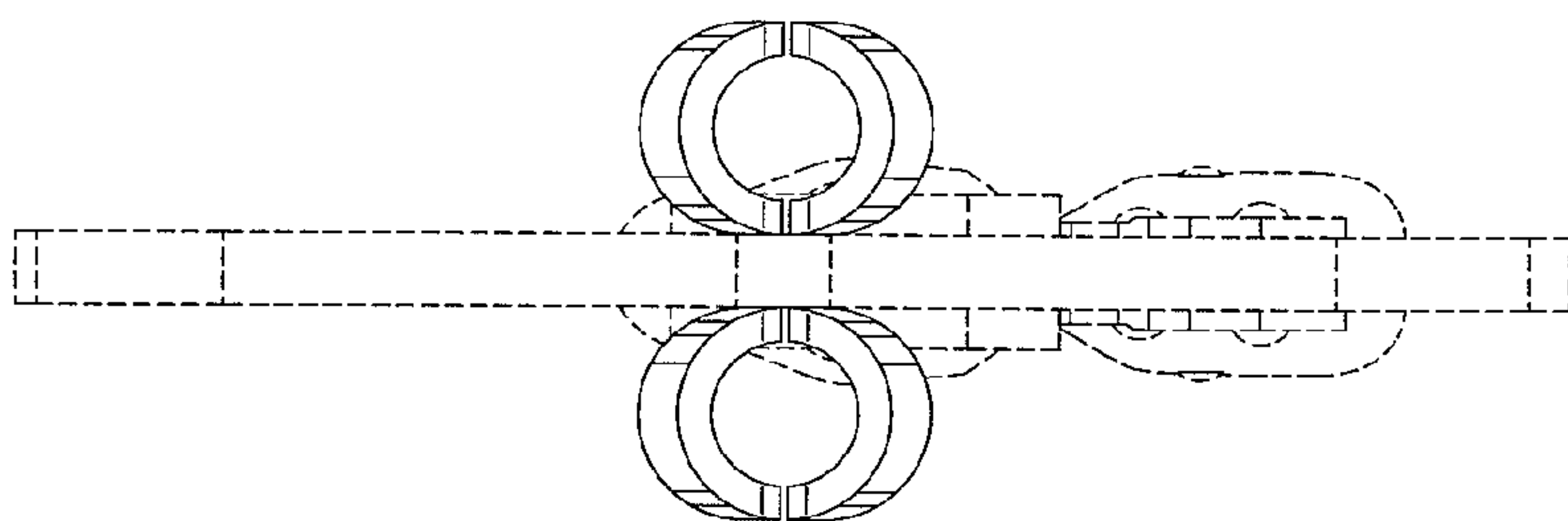


FIG. 4

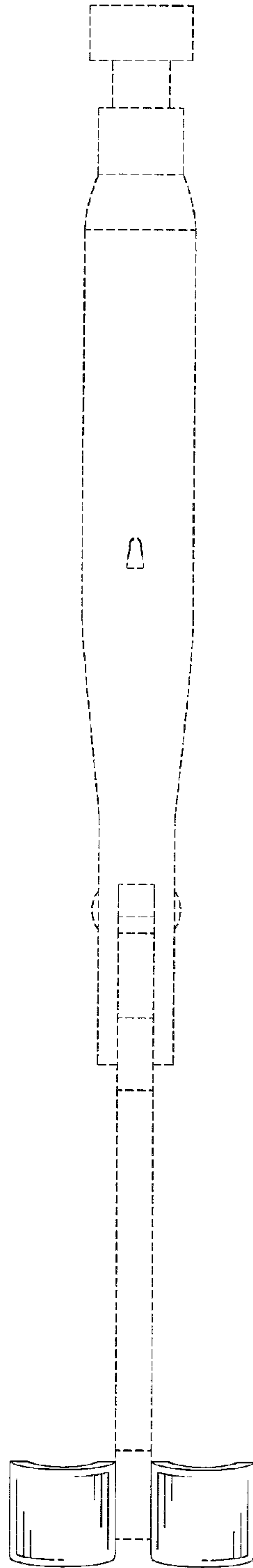


FIG. 6

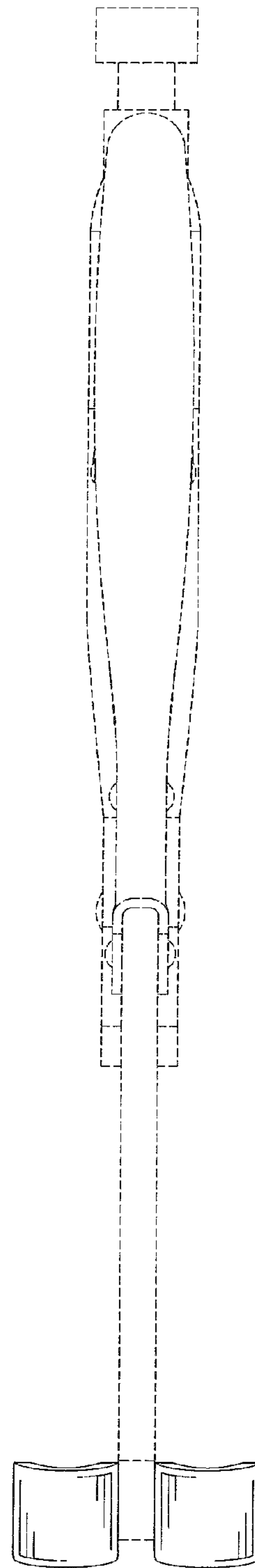


FIG. 7