



US00D763049S

(12) **United States Design Patent**  
**Lin**

(10) **Patent No.:** **US D763,049 S**  
(45) **Date of Patent:** **\*\* Aug. 9, 2016**

- (54) **SHEAR WITH CLAMPING FUNCTION**
- (71) Applicant: **Kun-Meng Lin**, Changhua County (TW)
- (72) Inventor: **Kun-Meng Lin**, Changhua County (TW)
- (\*\*) Term: **14 Years**
- (21) Appl. No.: **29/517,485**
- (22) Filed: **Feb. 13, 2015**
- (51) **LOC (10) Cl.** ..... **08-05**
- (52) **U.S. Cl.**  
USPC ..... **D8/52; D8/55**
- (58) **Field of Classification Search**  
USPC ..... D8/4, 5, 51-56, 105, 107  
CPC .... H01R 43/042; B25B 27/146; A01K 13/00;  
A01K 17/00  
See application file for complete search history.

- D386,658 S \* 11/1997 Jansson ..... D8/52
- D615,254 S \* 5/2010 Manheimer, III ..... D30/158
- D624,379 S \* 9/2010 Pantoja ..... D8/52
- D624,797 S \* 10/2010 Kochi ..... D8/52
- D722,849 S \* 2/2015 Weinblut ..... D8/52
- D740,634 S \* 10/2015 Descombes ..... D8/58
- 9,174,267 B2 \* 11/2015 Weinblut ..... B21F 1/002

\* cited by examiner

*Primary Examiner* — Deanna L Pratt

(57) **CLAIM**  
The ornamental design for a shear with clamping function, as shown and described.

**DESCRIPTION**

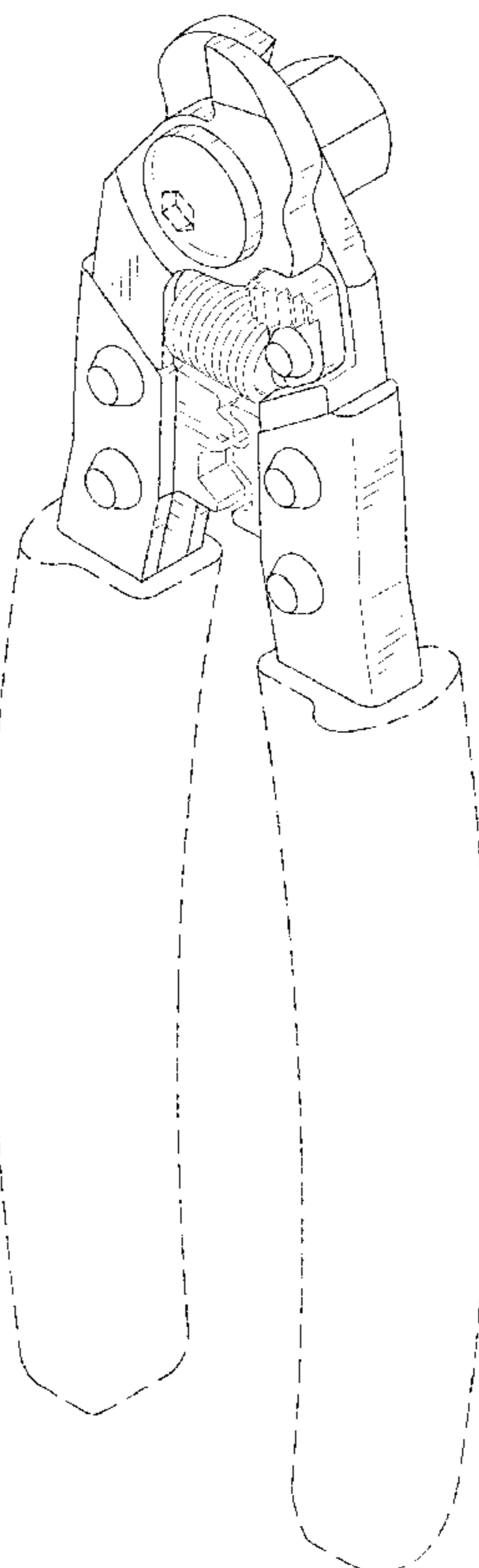
FIG. 1 is a perspective view of a shear with clamping function showing my new design;  
FIG. 2 is a front elevational view thereof;  
FIG. 3 is a rear elevational view thereof;  
FIG. 4 is a left side elevational view thereof;  
FIG. 5 is a right side elevational view thereof;  
FIG. 6 is a top plan view thereof;  
FIG. 7 is a bottom plan view thereof; and,  
FIG. 8 is another perspective view thereof.  
The broken lines illustrate portions of the shear with clamping function that form no part of the claimed design.

**1 Claim, 7 Drawing Sheets**

(56) **References Cited**

**U.S. PATENT DOCUMENTS**

- D215,809 S \* 11/1969 Baun ..... D8/52
- D259,695 S \* 6/1981 Byberg ..... D8/58
- D260,132 S \* 8/1981 Shaffer ..... D8/52
- D366,199 S \* 1/1996 Bartky ..... D8/52
- D373,714 S \* 9/1996 Hebert ..... D8/52
- D386,374 S \* 11/1997 Jansson ..... D8/52



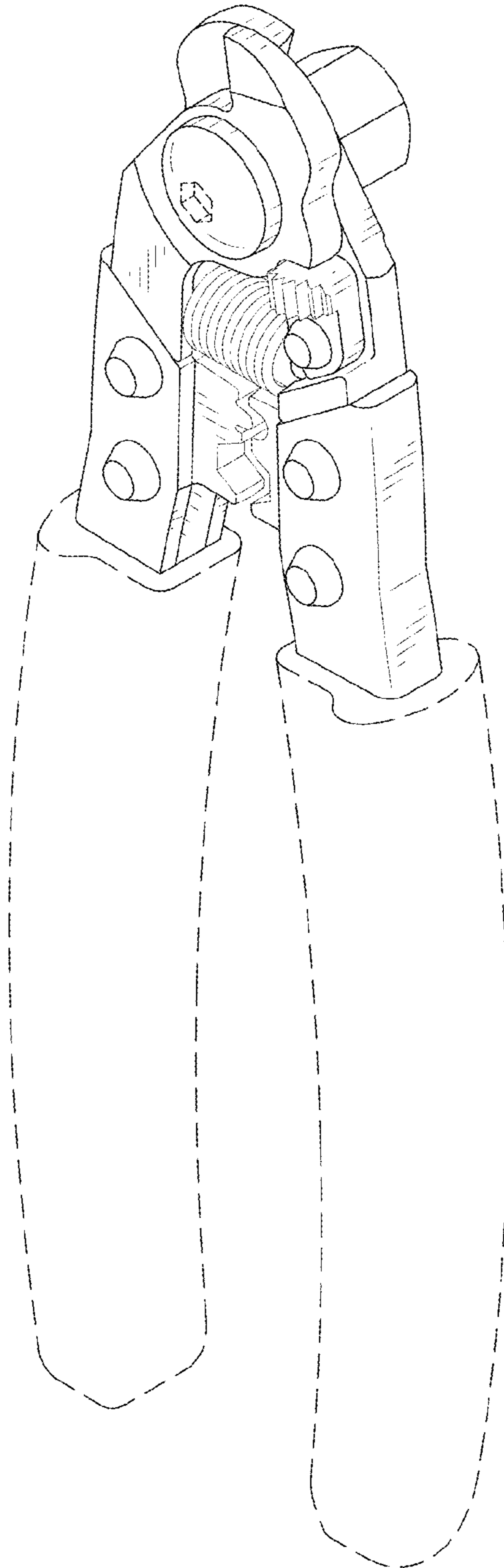


FIG. 1

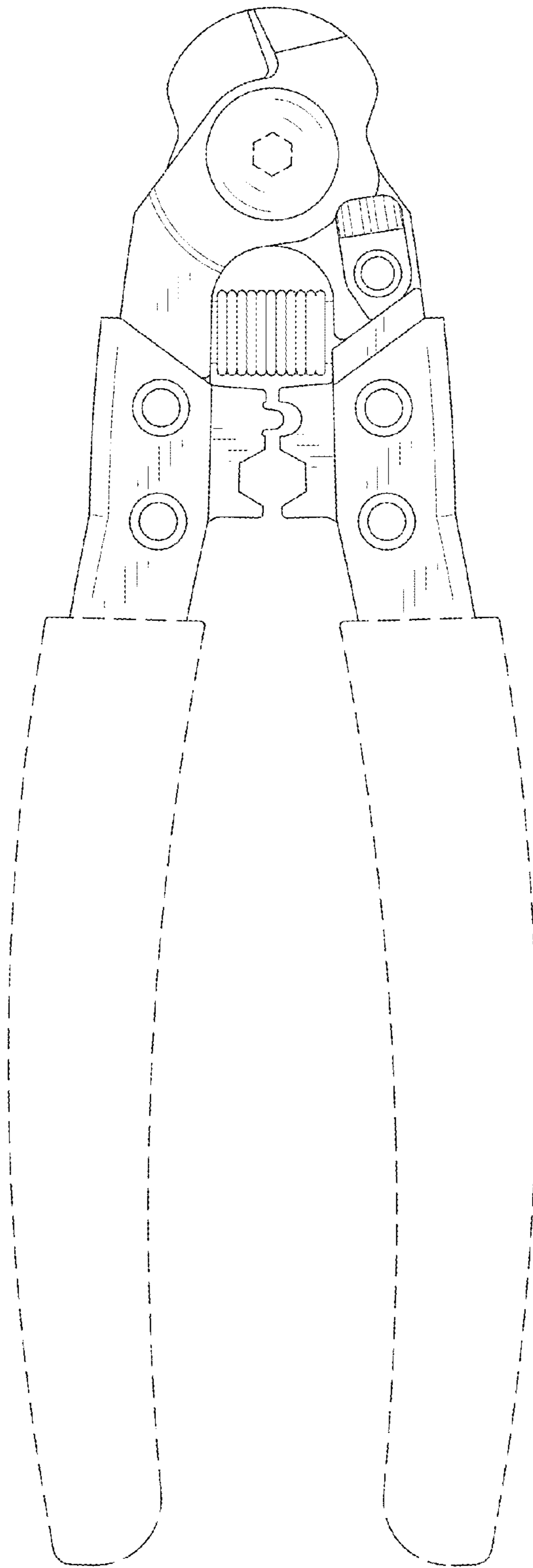


FIG. 2

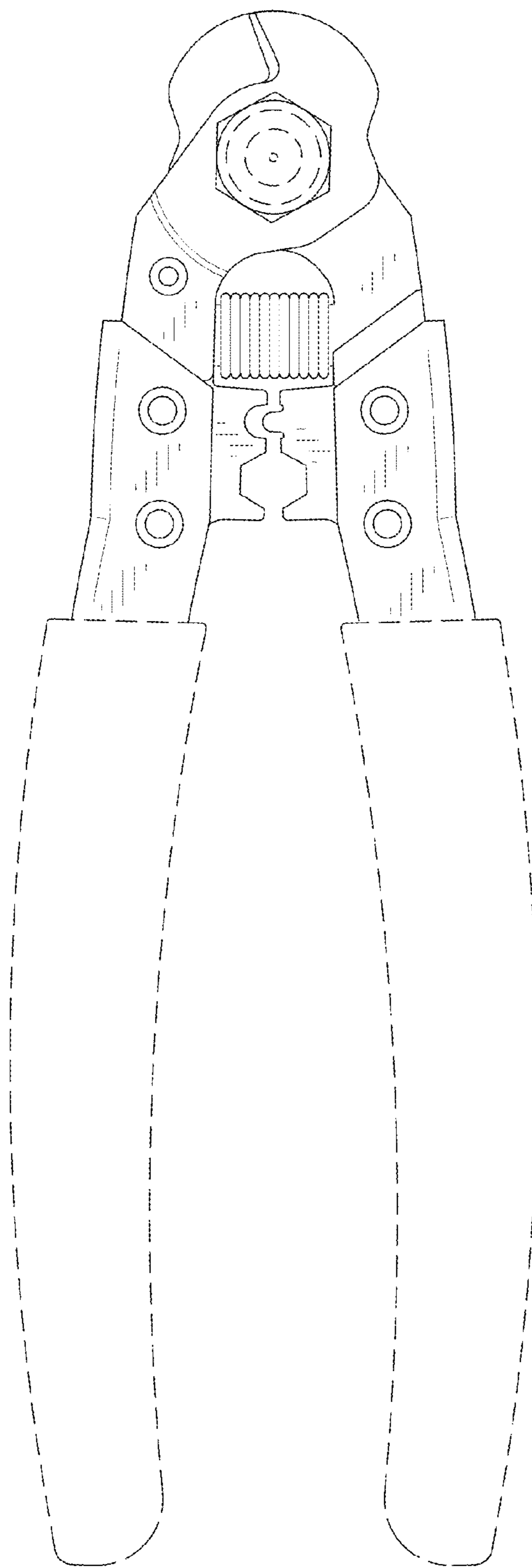


FIG. 3

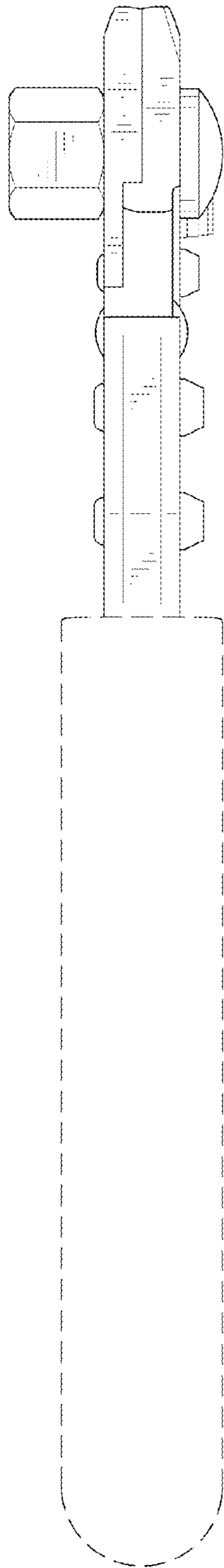


FIG. 4

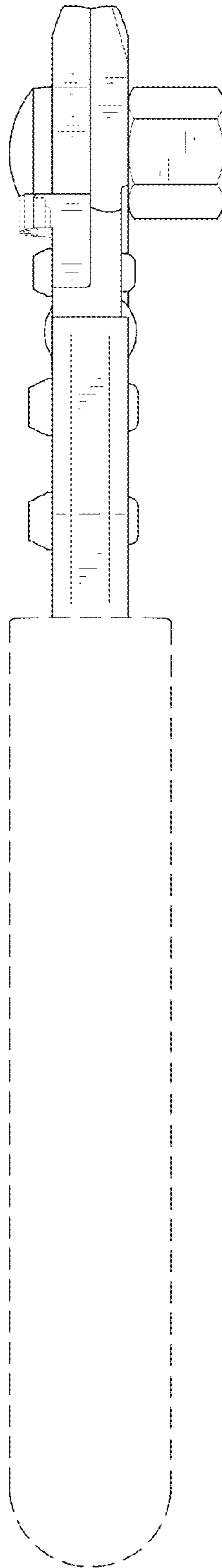


FIG. 5

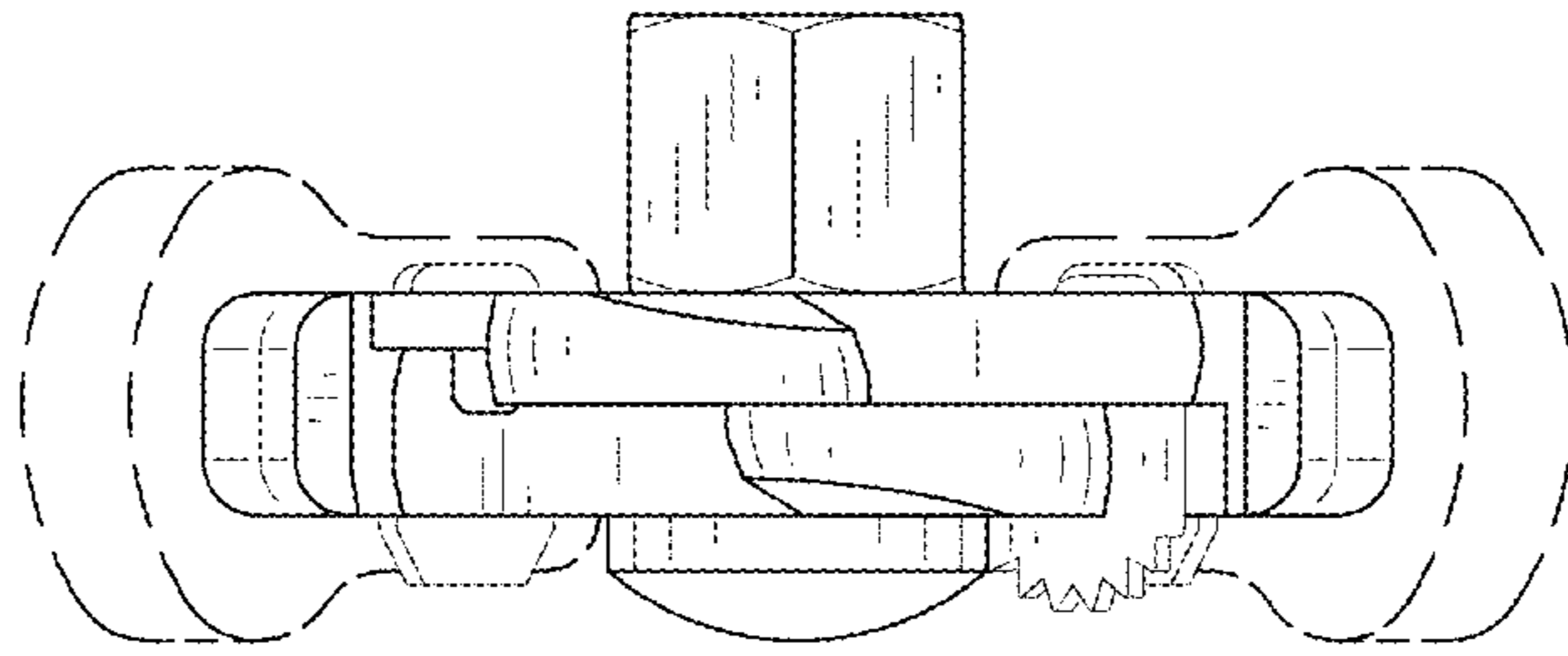


FIG. 6

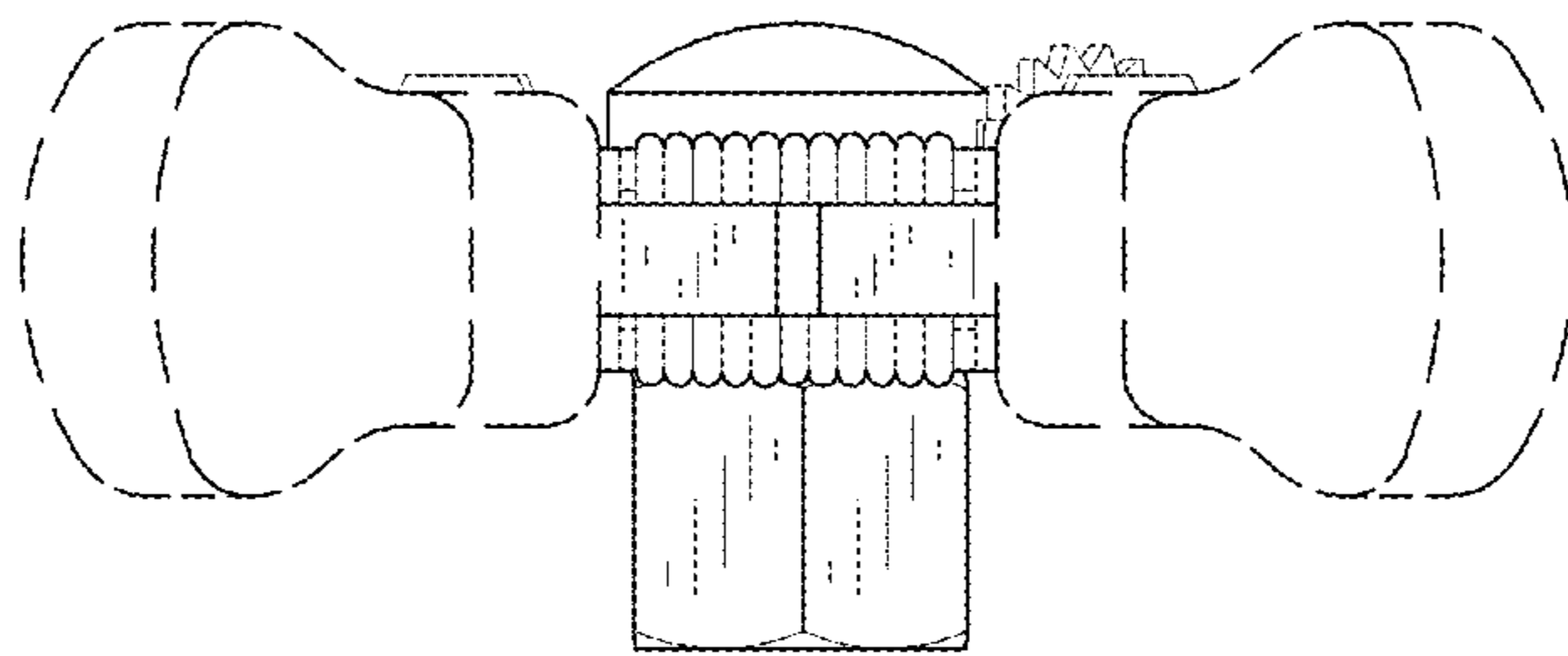


FIG. 7

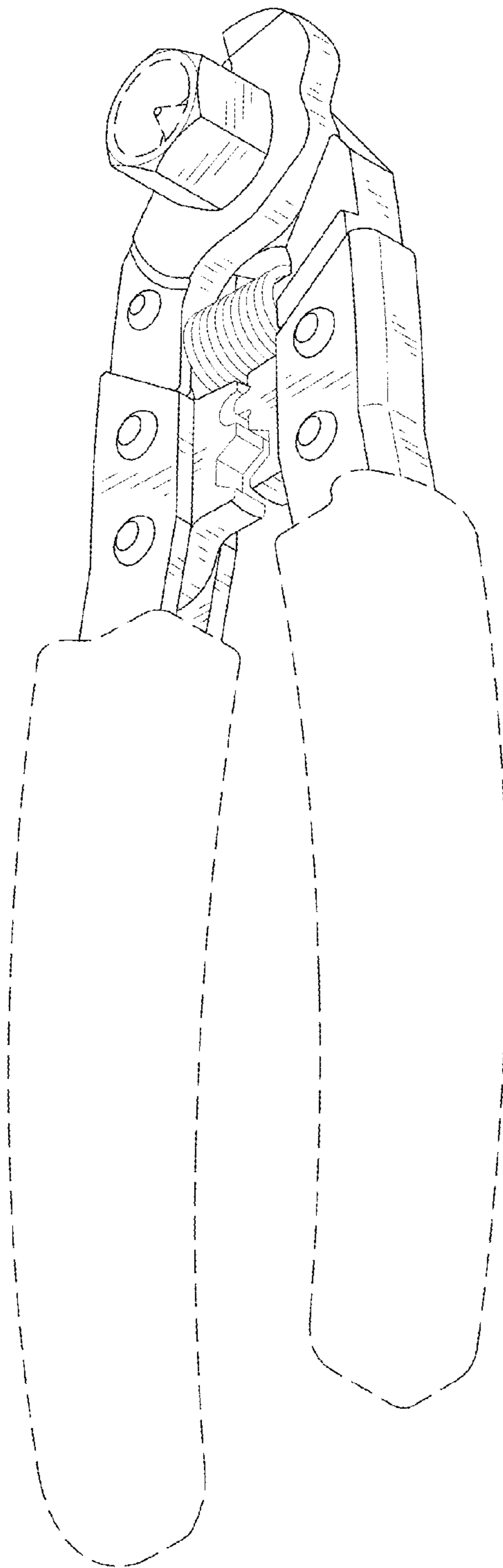


FIG. 8