



US00D763046S

(12) **United States Design Patent**  
**Hume**

(10) **Patent No.:** **US D763,046 S**  
(45) **Date of Patent:** **\*\* Aug. 9, 2016**

- (54) **BAR TOOL**
- (71) Applicant: **True Fabrications, Inc.**, Seattle, WA (US)
- (72) Inventor: **Ryan William Hume**, Seattle, WA (US)
- (73) Assignee: **TRUE FABRICATIONS, INC.**, Seattle, WA (US)
- (\*\*) Term: **14 Years**
- (21) Appl. No.: **29/515,307**
- (22) Filed: **Jan. 21, 2015**
- (51) **LOC (10) Cl.** ..... **07-99**
- (52) **U.S. Cl.**  
USPC ..... **D8/33**
- (58) **Field of Classification Search**  
USPC ..... D7/683; D8/18, 33-43, 105  
CPC ..... B67B 7/00; B67B 7/14; B67B 7/16;  
B67B 7/38; B67B 7/385; B67B 7/44  
See application file for complete search history.

D495,572	S *	9/2004	Yeung	.....	D8/40
D512,888	S *	12/2005	Cefalu	.....	D8/18
7,004,049	B2 *	2/2006	So	.....	B67B 7/32 30/418
D541,122	S *	4/2007	Chaconas	.....	D8/40
D628,348	S *	11/2010	Chao	.....	D30/145
D654,770	S *	2/2012	Frank	.....	D8/40
D661,559	S *	6/2012	O'Connell	.....	D8/18
D688,542	S *	8/2013	Wysoczynski	.....	D8/18
8,607,668	B1 *	12/2013	Frank	.....	B67B 7/16 81/3.09
D713,699	S *	9/2014	Bachman	.....	D8/40
8,844,405	B2 *	9/2014	Colgan	.....	B67B 7/18 81/3.09
D739,194	S *	9/2015	Kieu	.....	D8/34
D751,360	S *	3/2016	Oakley	.....	D8/18
2005/0252343	A1 *	11/2005	Turner	.....	B67B 7/16 81/3.09
2007/0079670	A1 *	4/2007	Chaconas	.....	B67B 7/18 81/3.55
2007/0089569	A1 *	4/2007	Hernandez	.....	B67B 7/16 81/3.09
2010/0294083	A1 *	11/2010	Hastings	.....	B67B 7/02 81/3.47

\* cited by examiner

*Primary Examiner* — Elizabeth Albert  
(74) *Attorney, Agent, or Firm* — Vicky Kaur Bajwa

(56) **References Cited**  
U.S. PATENT DOCUMENTS

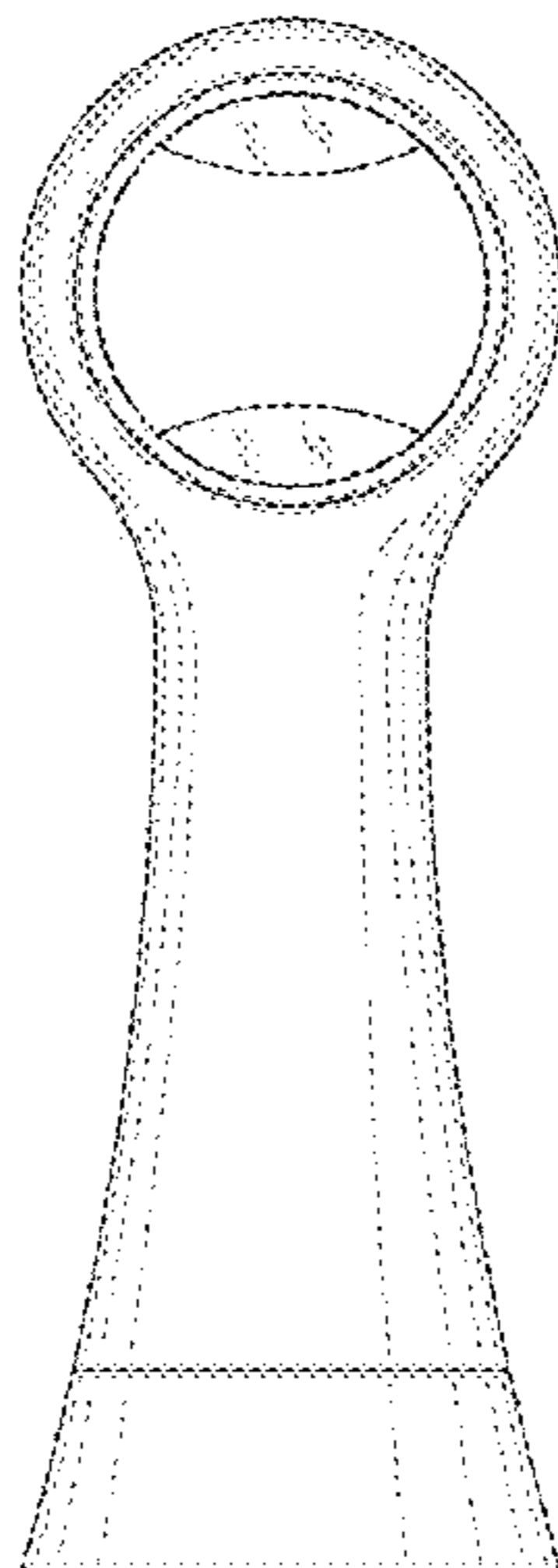
1,007,502	A *	10/1911	Stephens	.....	B67B 7/44 81/3.09
2,514,566	A *	7/1950	Capriccio	.....	B67B 3/02 53/363
4,854,856	A *	8/1989	Steiger, Jr.	.....	B67B 7/16 131/185
4,979,407	A *	12/1990	Hernandez	.....	B67B 7/44 81/3.09
D347,776	S *	6/1994	Brix-Hansen	.....	D8/40
D391,134	S *	2/1998	Laib	.....	D8/33
D420,265	S *	2/2000	Pierce	.....	D8/18
D434,623	S *	12/2000	Cheng	.....	D8/40
D435,412	S *	12/2000	Bentley	.....	D8/28

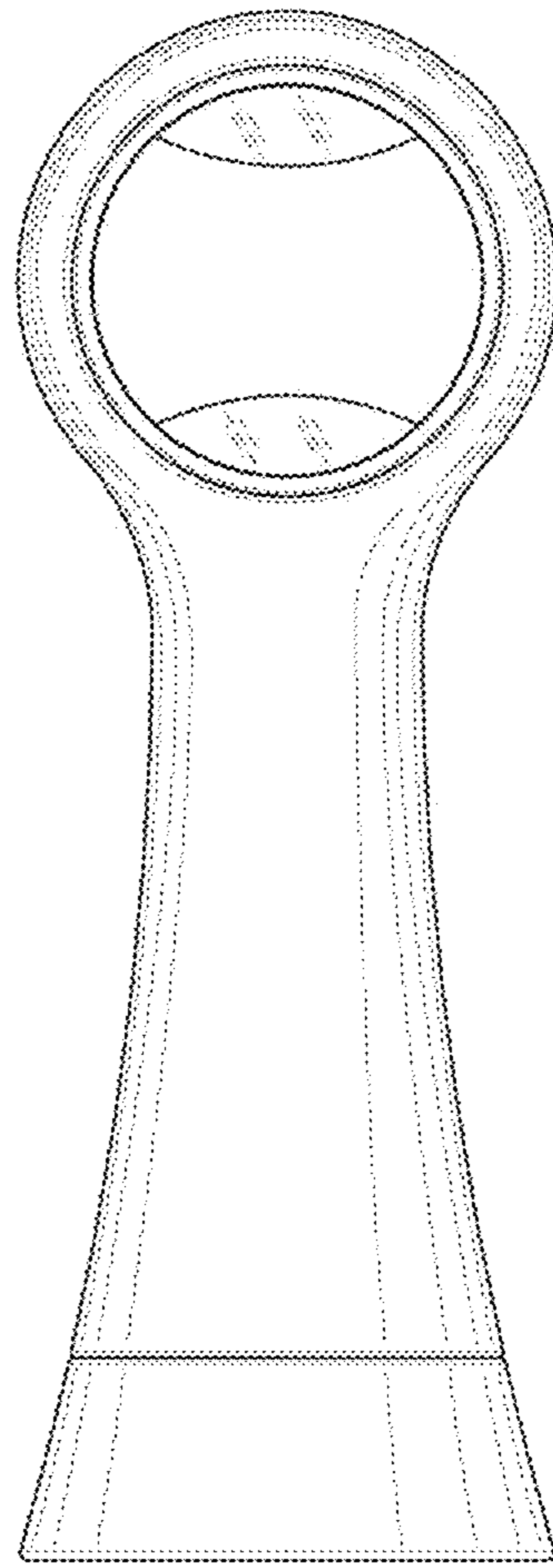
(57) **CLAIM**  
The ornamental design for a bar tool, as shown and described.

**DESCRIPTION**

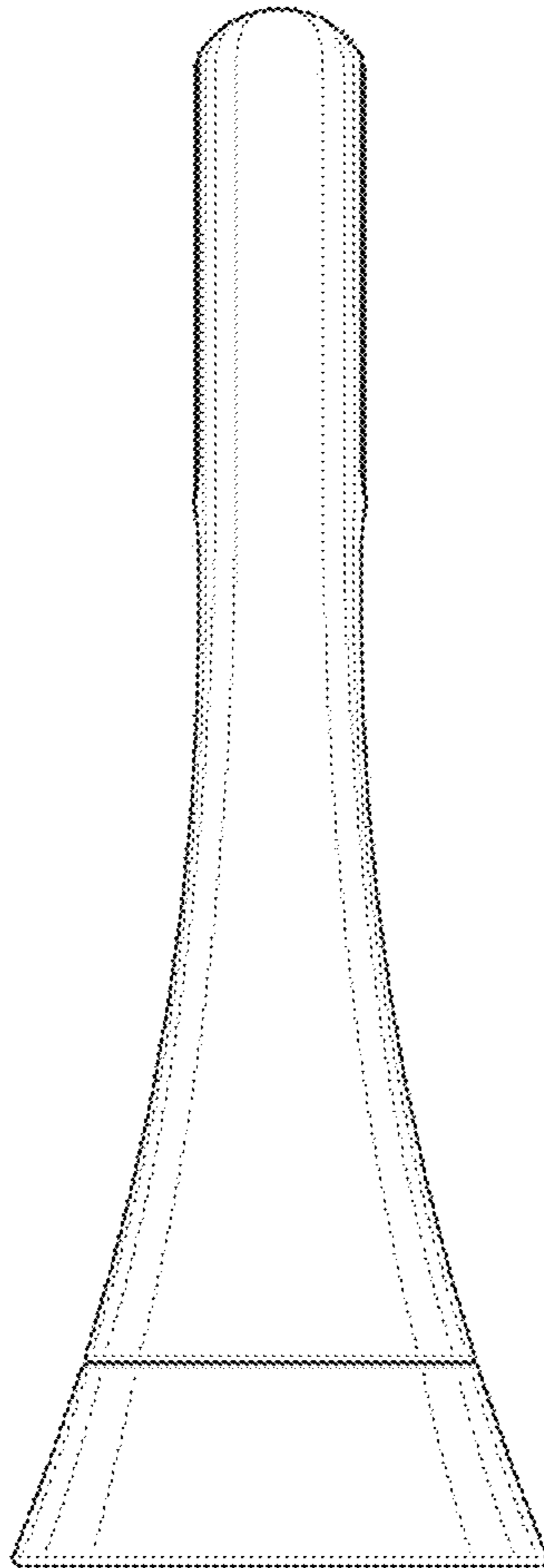
FIG. 1 is a front elevation view of a bar tool, the rear view being a mirror image;  
FIG. 2 is a left side elevation view of the bar tool of FIG. 1, the right side elevation being a mirror image;  
FIG. 3 is a top view of the bar tool of FIG. 1;  
FIG. 4 is a bottom view of the bar tool of FIG. 1; and,  
FIG. 5 is a perspective view of the bar tool of FIG. 1.

**1 Claim, 4 Drawing Sheets**

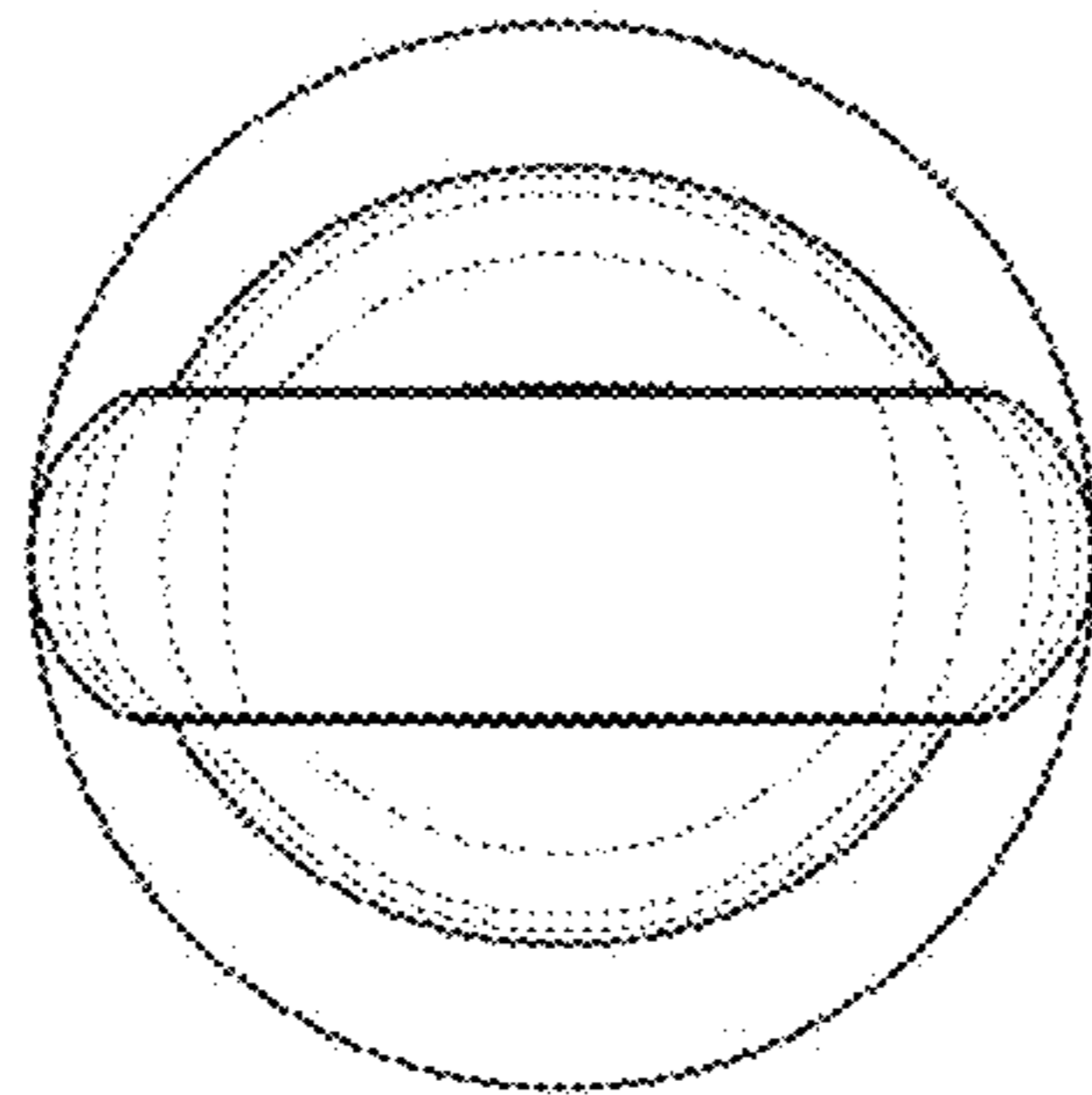




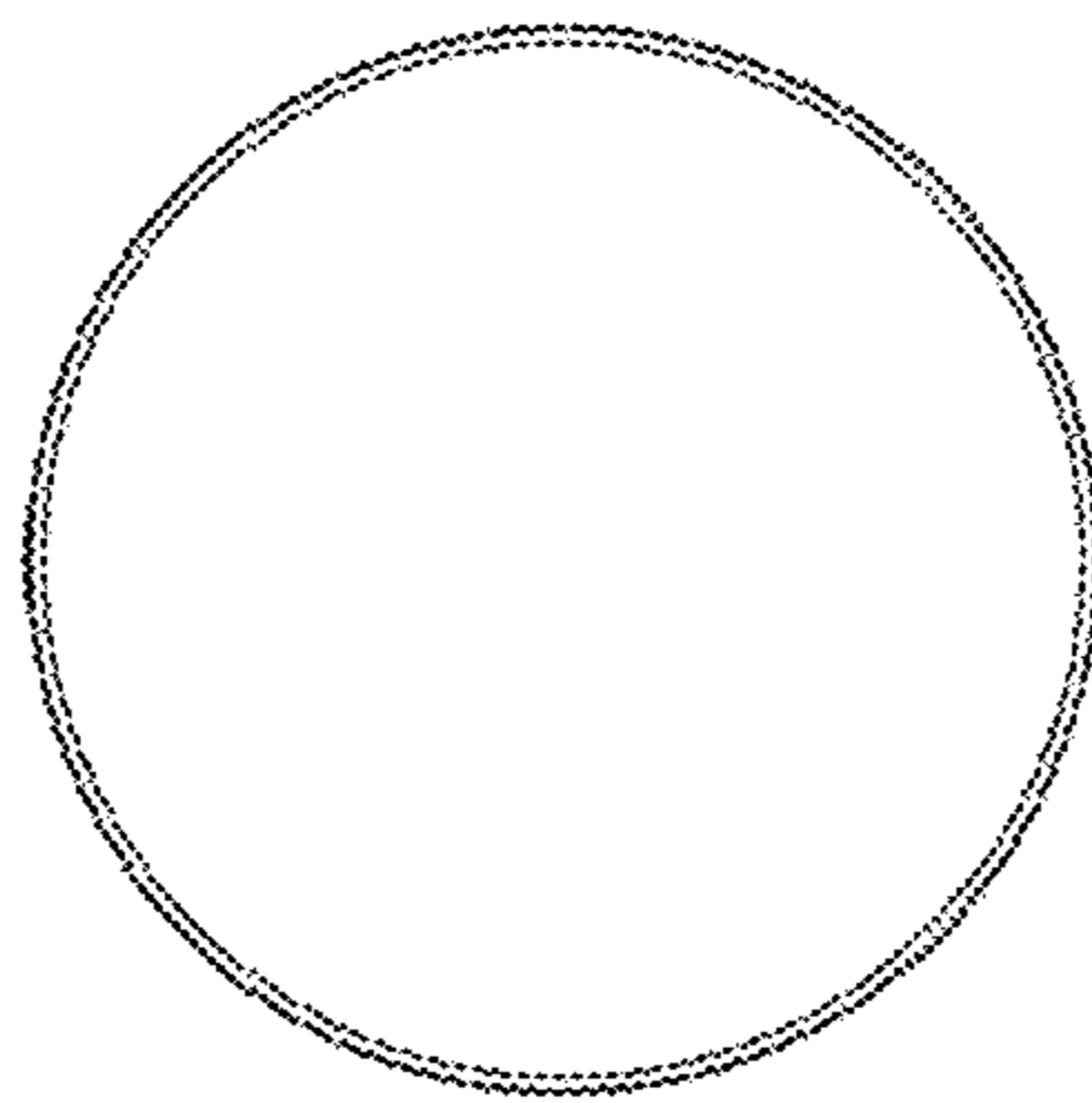
*Fig. 1*



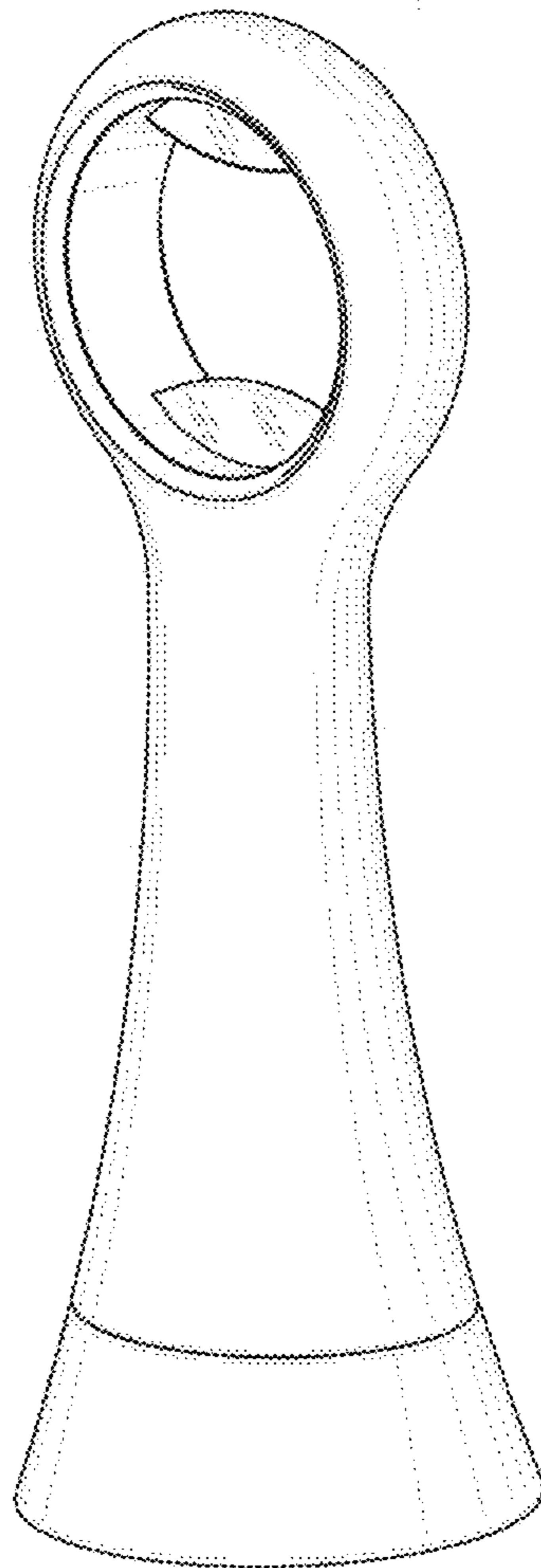
*Fig. 2*



*Fig. 3*



*Fig. 4*



*Fig. 5*