



US00D763045S

(12) **United States Design Patent**
Bodum

(10) **Patent No.:** **US D763,045 S**
(45) **Date of Patent:** **** Aug. 9, 2016**

(54) **ELECTRIC JUICER**
(71) Applicant: **PI-Design AG**, Triengen (CH)
(72) Inventor: **Jorgen Bodum**, Meggen (CH)
(73) Assignee: **Tribune Broadcasting Company, LLC**,
Chicago, IL (US)

7,673,824 B2 * 3/2010 Stamper, III A47J 43/046
241/282.2
2012/0291638 A1 * 11/2012 Kim A47J 19/027
99/501
2013/0255511 A1 * 10/2013 Steiner A47J 19/02
99/513

(**) Term: **14 Years**
(21) Appl. No.: **29/511,939**
(22) Filed: **Dec. 15, 2014**

* cited by examiner

Primary Examiner — Terry Wallace
(74) *Attorney, Agent, or Firm* — McDonnell Boehnen
Hulbert & Berghoff LLP

(30) **Foreign Application Priority Data**

Jun. 16, 2014 (WO) DM/083811
(51) **LOC (10) Cl.** **31-00**

(57) **CLAIM**
The ornamental design for an electric juicer, as shown and
described.

(52) **U.S. Cl.**
USPC **D7/665**

DESCRIPTION

(58) **Field of Classification Search**
USPC D7/665-68, 372, 376, 381, 382
CPC A47J 19/02; A47J 19/027; A47J 19/00;
A47J 19/06; A47J 19/022; A47J 43/046;
A47J 43/0794; A23N 1/00; A23N 1/02;
A23N 1/003

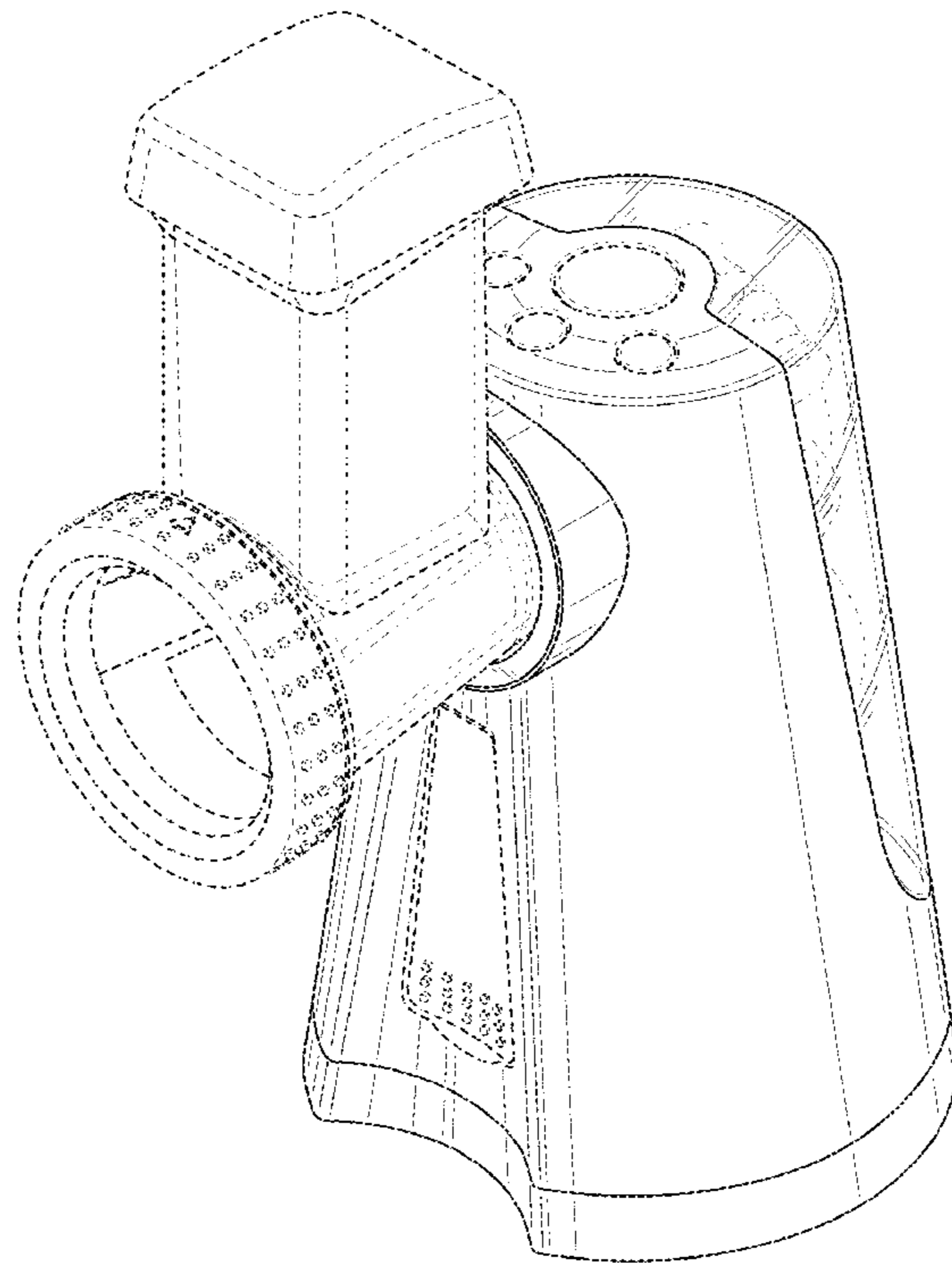
FIG. 1 is a perspective view of the electric juicer showing my
new design.
FIG. 2 is a front view thereof.
FIG. 3 is a rear view thereof.
FIG. 4 is a left side view thereof.
FIG. 5 is a right side view thereof.
FIG. 6 is a top plan view thereof; and,
FIG. 7 is a bottom plan view thereof.
The broken lines are for illustrative purposes only and form
no part of the claimed design.

See application file for complete search history.

(56) **References Cited**
U.S. PATENT DOCUMENTS

D227,971 S * 7/1973 Weiss D7/665

1 Claim, 7 Drawing Sheets



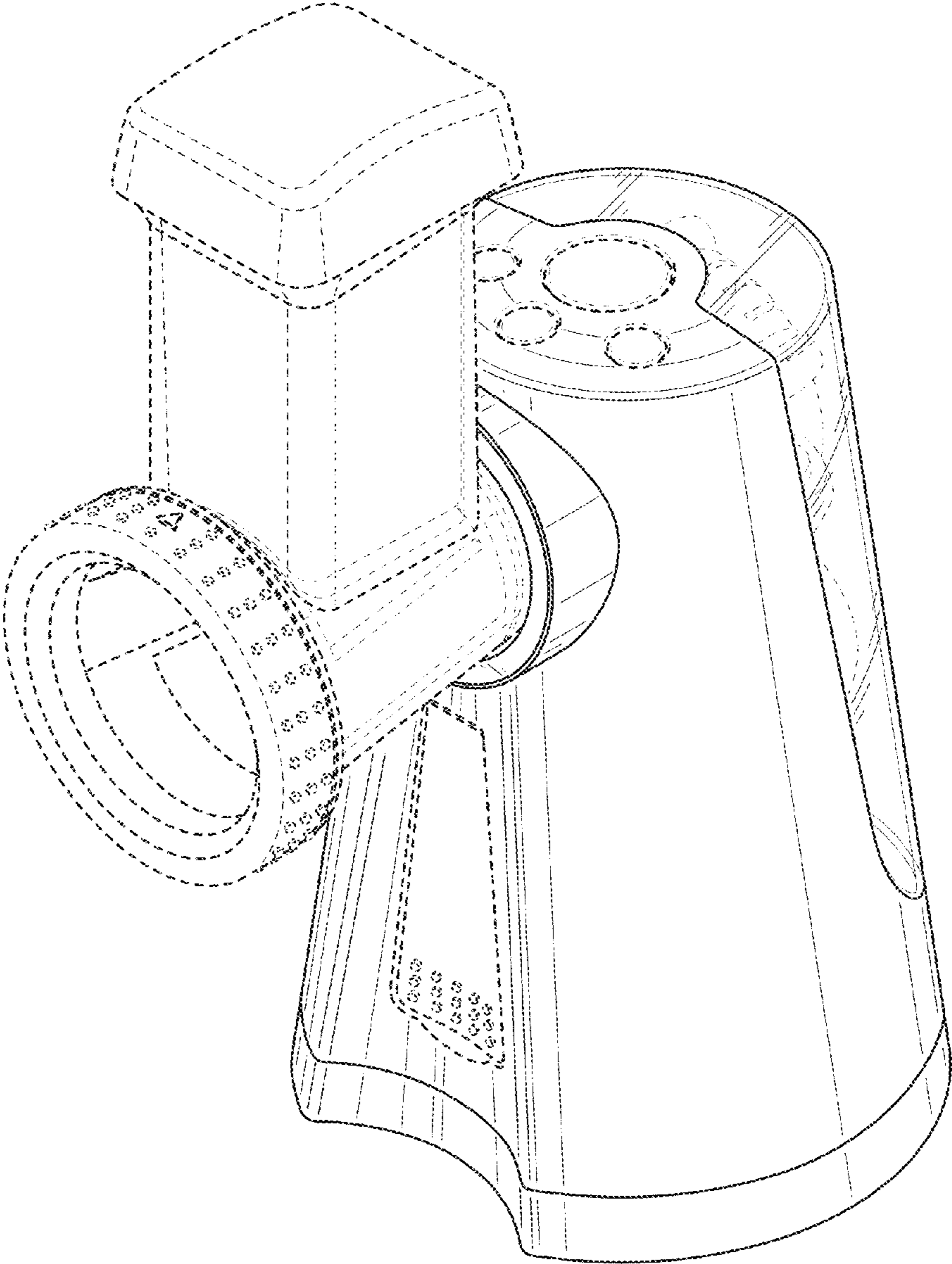


FIG. 1

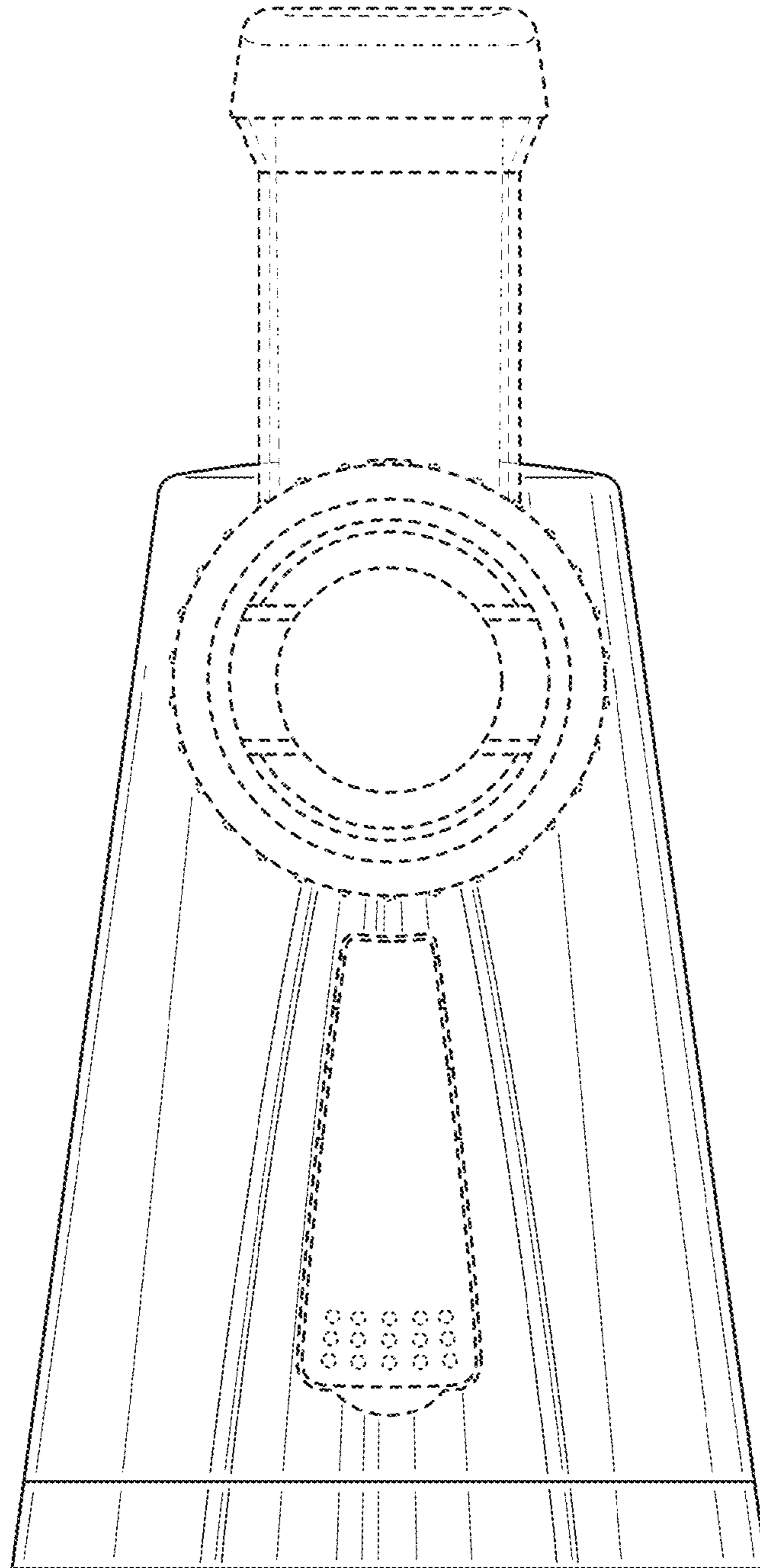


FIG. 2

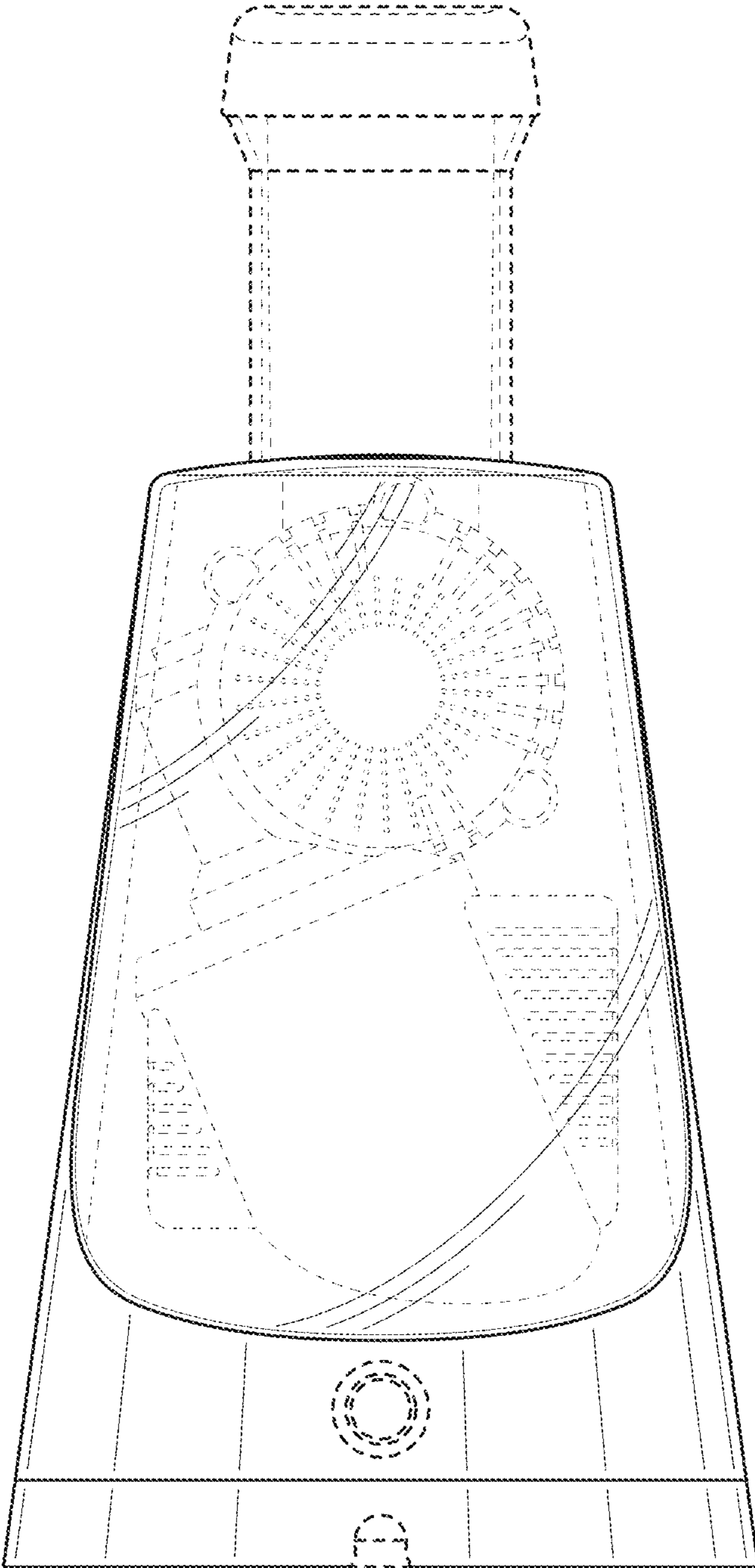


FIG. 3

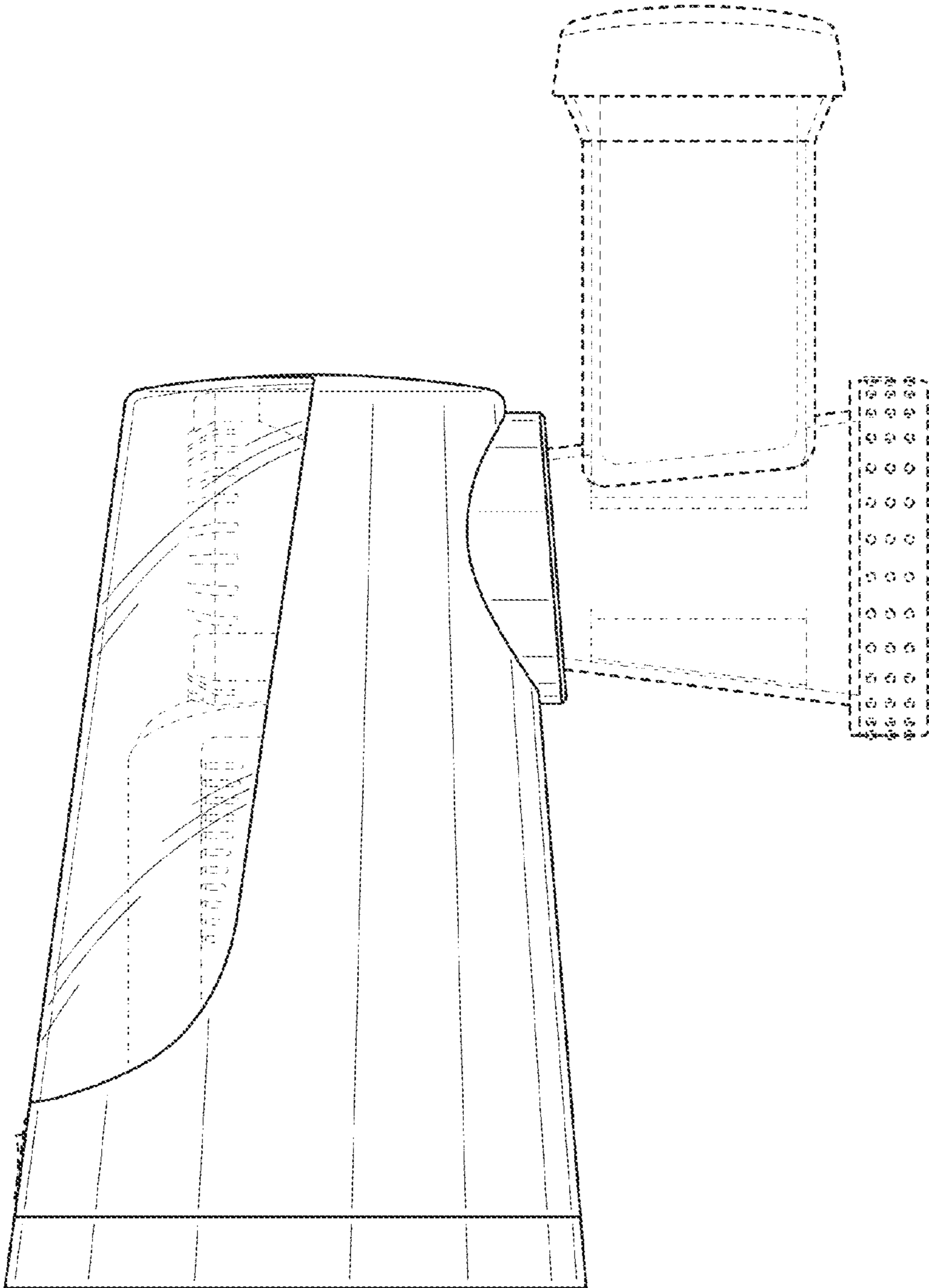


FIG. 4

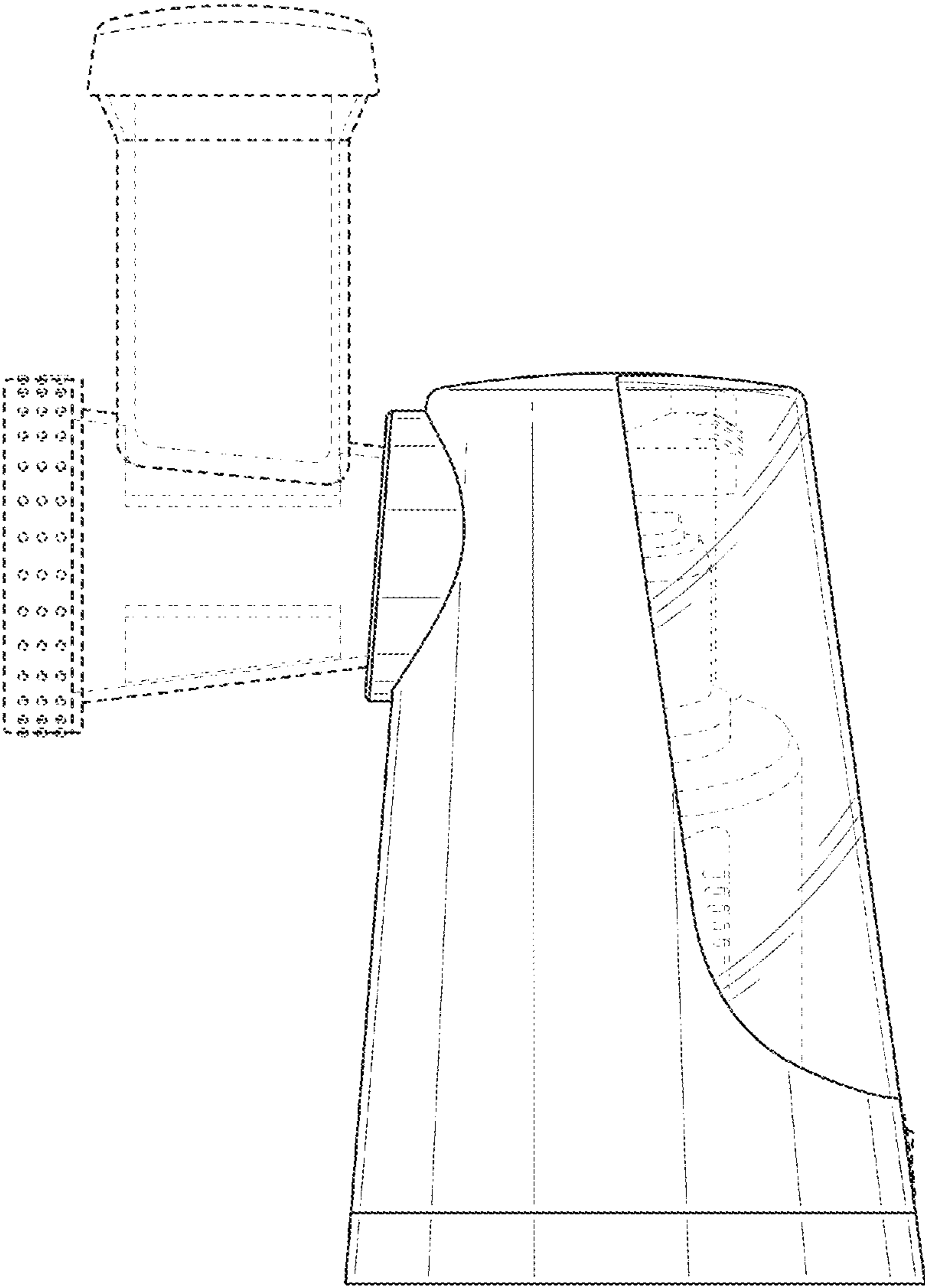


FIG. 5

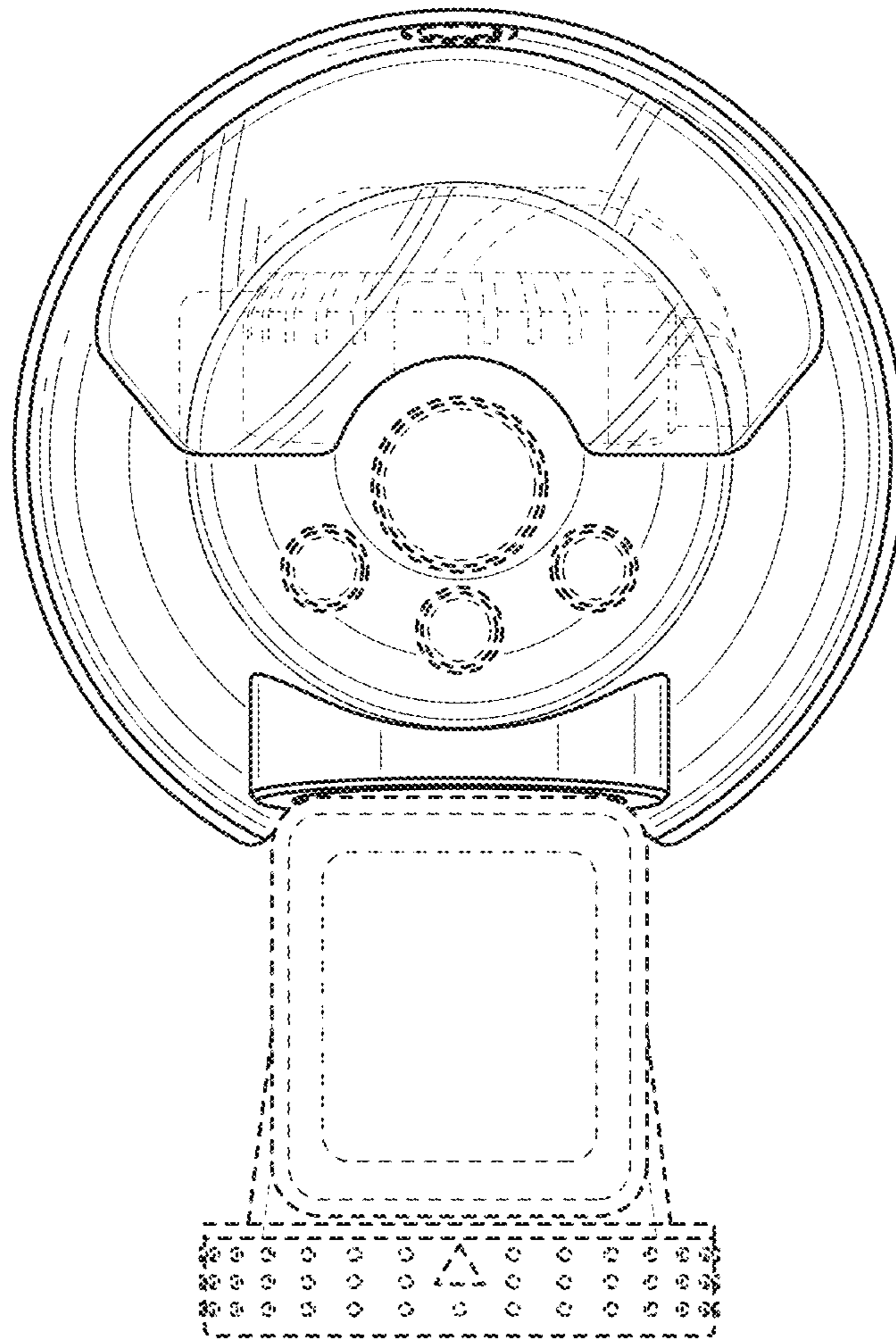


FIG. 6

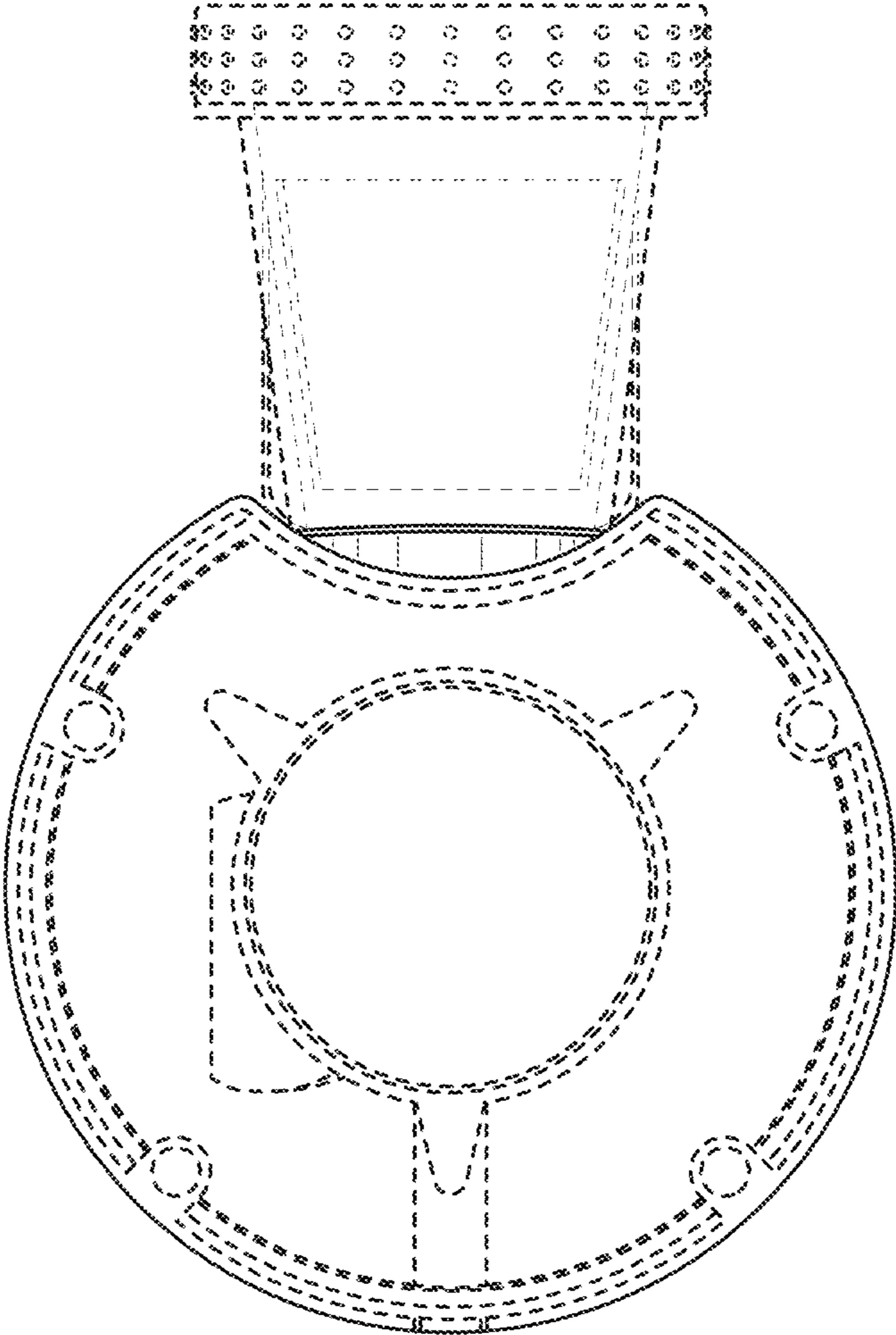


FIG. 7

UNITED STATES PATENT AND TRADEMARK OFFICE
CERTIFICATE OF CORRECTION

PATENT NO. : D763,045 S
APPLICATION NO. : 29/511939
DATED : August 9, 2016
INVENTOR(S) : Jorgen Bodum

Page 1 of 1

It is certified that error appears in the above-identified patent and that said Letters Patent is hereby corrected as shown below:

On the Title Page

In the “Assignee” item (73), replace “Tribune Broadcasting Company, LLC (US)” with “PI-Design AG (CH)”.

Signed and Sealed this
Twenty-first Day of March, 2017



Michelle K. Lee
Director of the United States Patent and Trademark Office