



US00D763042S

(12) **United States Design Patent**
Shao et al.

(10) **Patent No.:** **US D763,042 S**
(45) **Date of Patent:** **** Aug. 9, 2016**

- (54) **COFFEE PRESS**
- (71) Applicant: **Whirlpool Corporation**, Benton Harbor, MI (US)
- (72) Inventors: **Ben C. Shao**, Clarendon Hills, IL (US);
Zhaoyi Yin, Benton Harbor, MI (US)
- (73) Assignee: **Whirlpool Corporation**, Benton Harbor, MI (US)
- (**) Term: **14 Years**
- (21) Appl. No.: **29/517,518**
- (22) Filed: **Feb. 13, 2015**
- (51) **LOC (10) Cl.** **07-01**
- (52) **U.S. Cl.**
USPC **D7/519; D7/517**
- (58) **Field of Classification Search**
USPC D7/300.1, 510, 511, 598, 599, 600, 608,
D7/515, 523, 312, 306, 300, 316-319, 400,
D7/398; 169/71; D9/680; D22/112;
102/486; D29/125, 126; 220/713, 715,
220/739; D23/209; D10/46.2; 210/264,
210/321.6
CPC A47G 19/22; A47G 21/18; A47G 19/00;
A47G 19/12; A47G 19/127; A62C 13/003;
A47J 43/044
See application file for complete search history.

(56) **References Cited**

U.S. PATENT DOCUMENTS

2,665,898 A	1/1954	Campbell	
D220,773 S *	5/1971	Dilyard	D7/317
4,058,179 A	11/1977	Price	
4,114,709 A	9/1978	Jacobs et al.	
4,136,750 A	1/1979	Strickler	
4,254,841 A	3/1981	Loskill	
4,273,203 A	6/1981	Blawert et al.	
D304,799 S *	11/1989	Freese	D7/319
4,967,939 A *	11/1990	Taylor	A47J 43/27 222/196

4,999,109 A	3/1991	Sabre	
D338,591 S *	8/1993	Wyatt	D7/316
5,725,898 A	3/1998	Murphy et al.	
5,853,788 A	12/1998	Murphy et al.	
D405,641 S	2/1999	Brady	
D416,749 S *	11/1999	Moran	D7/318
6,224,253 B1 *	5/2001	Dixon	A47J 43/27 366/247
D454,275 S	3/2002	Lillelund et al.	
6,394,322 B1 *	5/2002	Sekiya	A47G 19/12 222/465.1
D480,904 S *	10/2003	Backes	D7/316
D493,662 S	8/2004	Bodum	
D498,638 S *	11/2004	Morrison	D7/318
7,032,507 B2	4/2006	Cai	
7,067,168 B1	6/2006	Podlucky et al.	
D557,978 S	12/2007	Bodum	
D560,951 S *	2/2008	Appleton	D7/317
D566,454 S	4/2008	Bodum	
D584,559 S *	1/2009	Bodum	D7/317
D595,534 S *	7/2009	Mankowitz	D7/317

(Continued)

FOREIGN PATENT DOCUMENTS

DE	10148404	4/2003
WO	2008081238	7/2008

Primary Examiner — Marianne Pandozzi

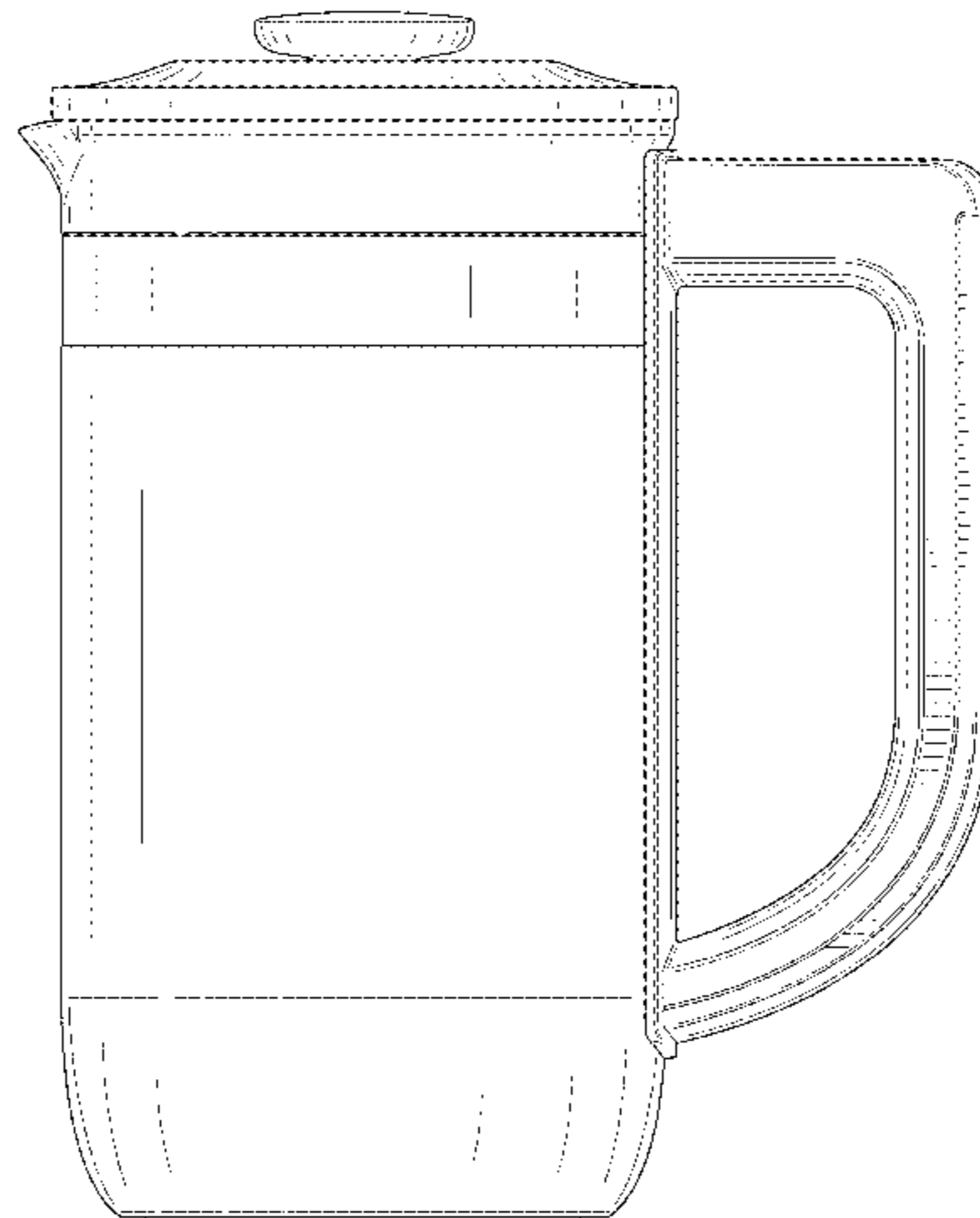
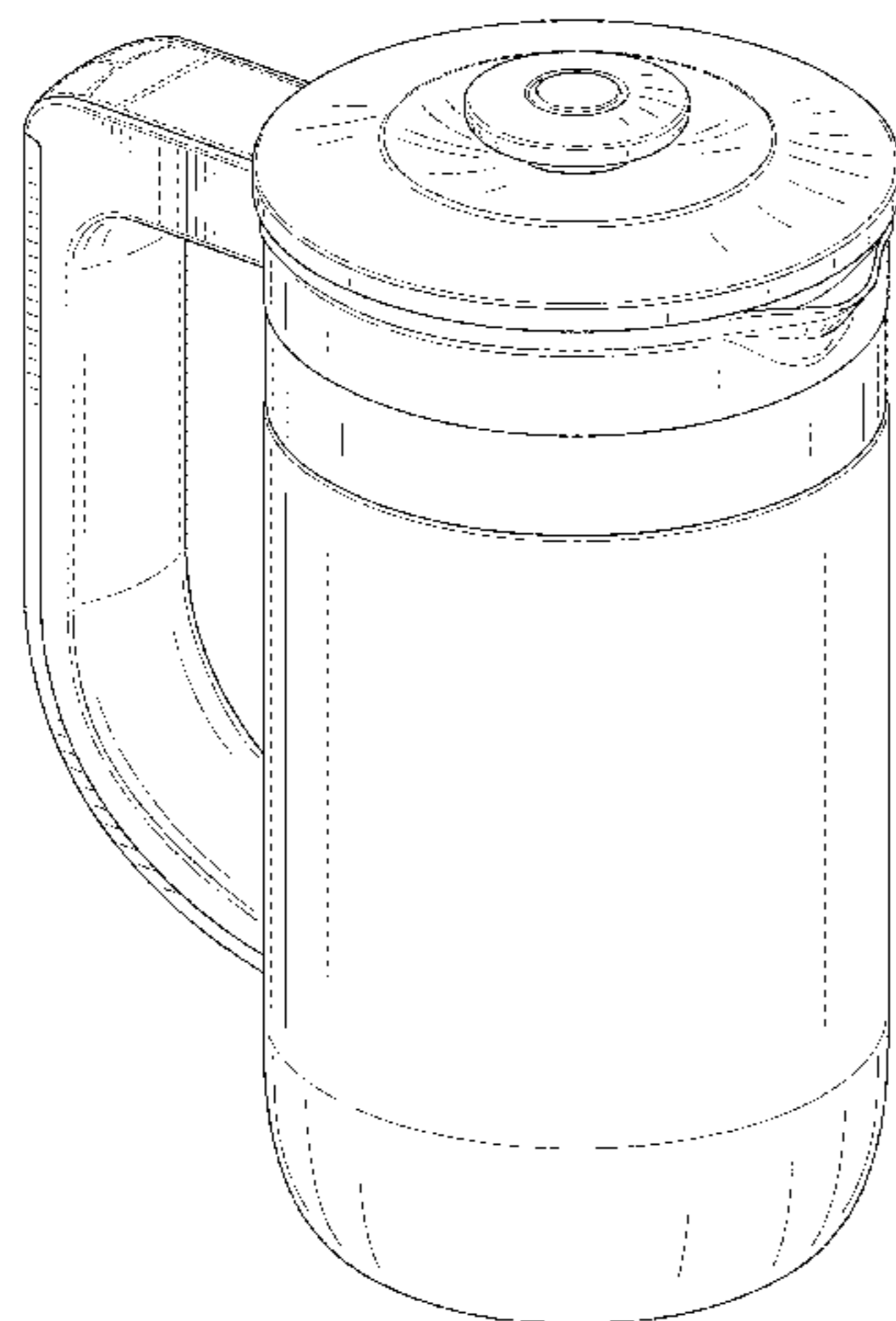
(57) **CLAIM**

We claim the ornamental design for a coffee press, as shown and described.

DESCRIPTION

FIG. 1 is a front perspective view of a coffee press showing our new design;
 FIG. 2 is a front view thereof;
 FIG. 3 is a rear view thereof;
 FIG. 4 is a left side view thereof;
 FIG. 5 is a right side view thereof;
 FIG. 6 is a top plan view thereof; and,
 FIG. 7 is a bottom plan view thereof.
 The broken lines depict portions of the coffee press that form no part of the claimed design.

1 Claim, 7 Drawing Sheets



US D763,042 S

Page 2

(56)

References Cited

U.S. PATENT DOCUMENTS

7,992,486 B2	8/2011	Constantine et al.	
D663,155 S *	7/2012	Bodum	D7/317
8,371,211 B2	2/2013	Nosler et al.	
8,375,846 B2	2/2013	Baccetti	
8,402,888 B2	3/2013	Baccetti	
D682,600 S *	5/2013	De Leo	D7/317
D683,996 S *	6/2013	Sworder	D7/317
8,515,574 B2	8/2013	Studor et al.	
D688,909 S *	9/2013	Chapman	D7/317
8,534,908 B2 *	9/2013	Rhodes, II	A47J 43/1018 222/465.1
D703,479 S *	4/2014	Norland	D7/376
8,770,097 B2	7/2014	McLean et al.	
D714,581 S *	10/2014	Shao	D7/312
2003/0079612 A1	5/2003	Con	

* cited by examiner

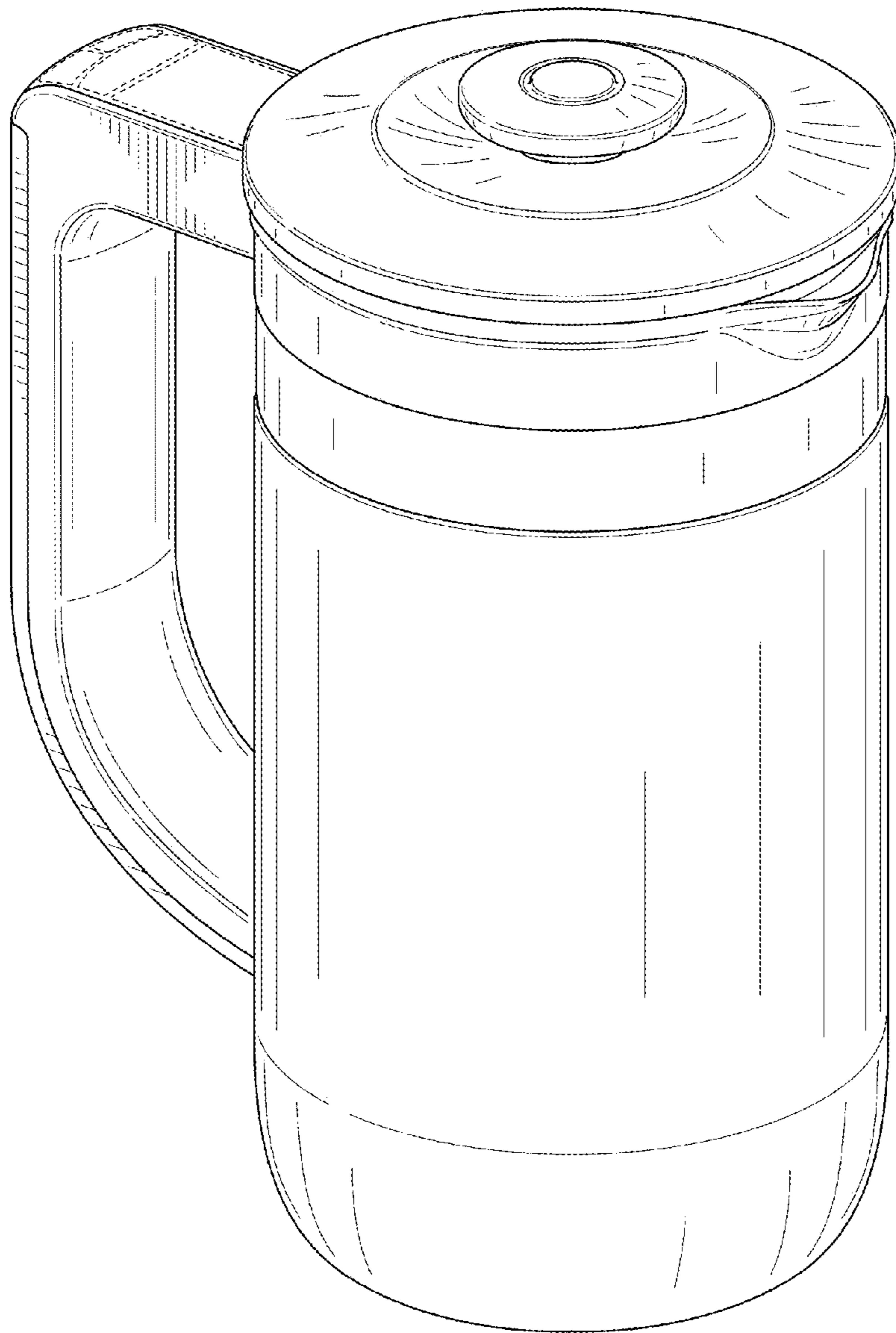


FIG. 1

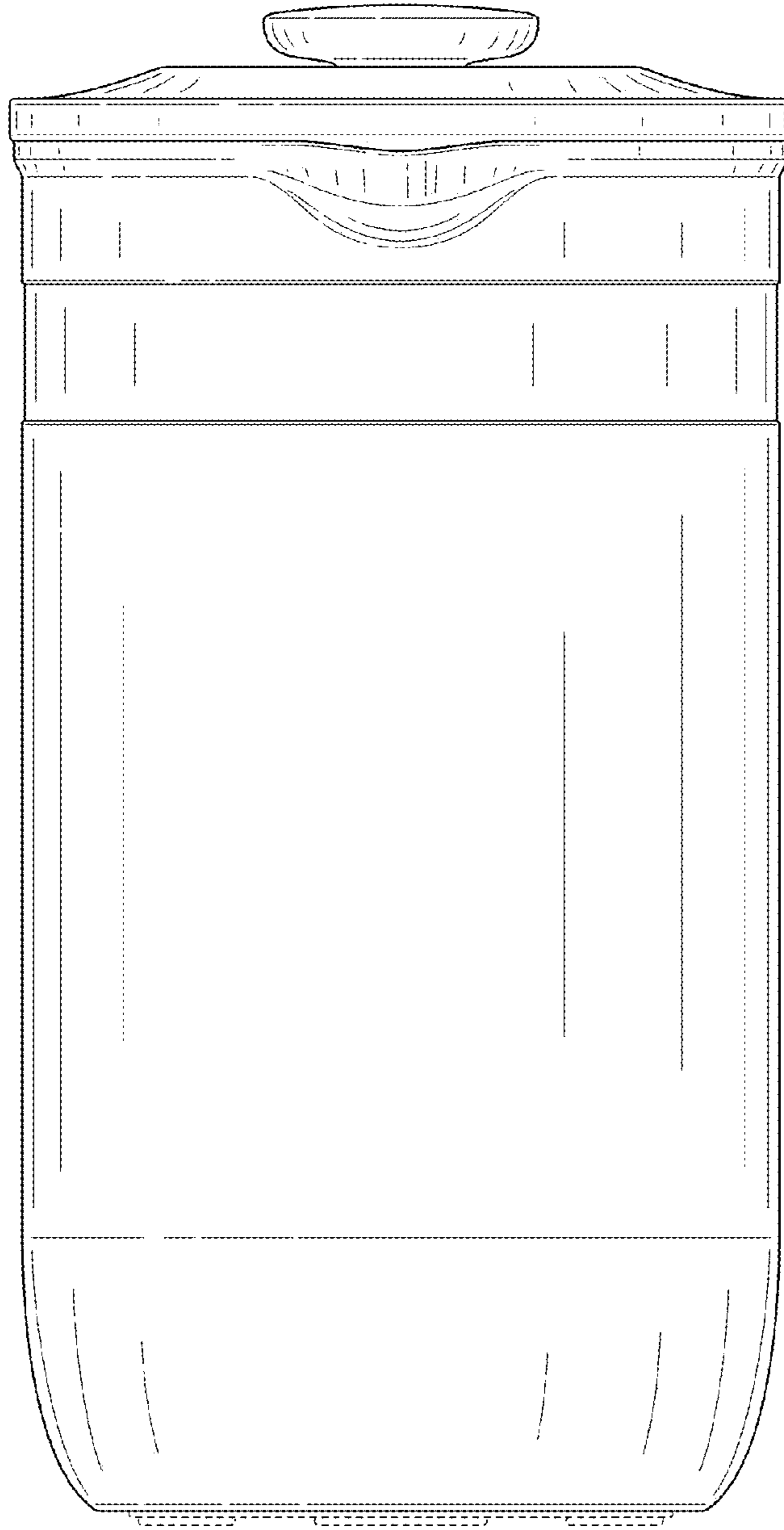


FIG. 2

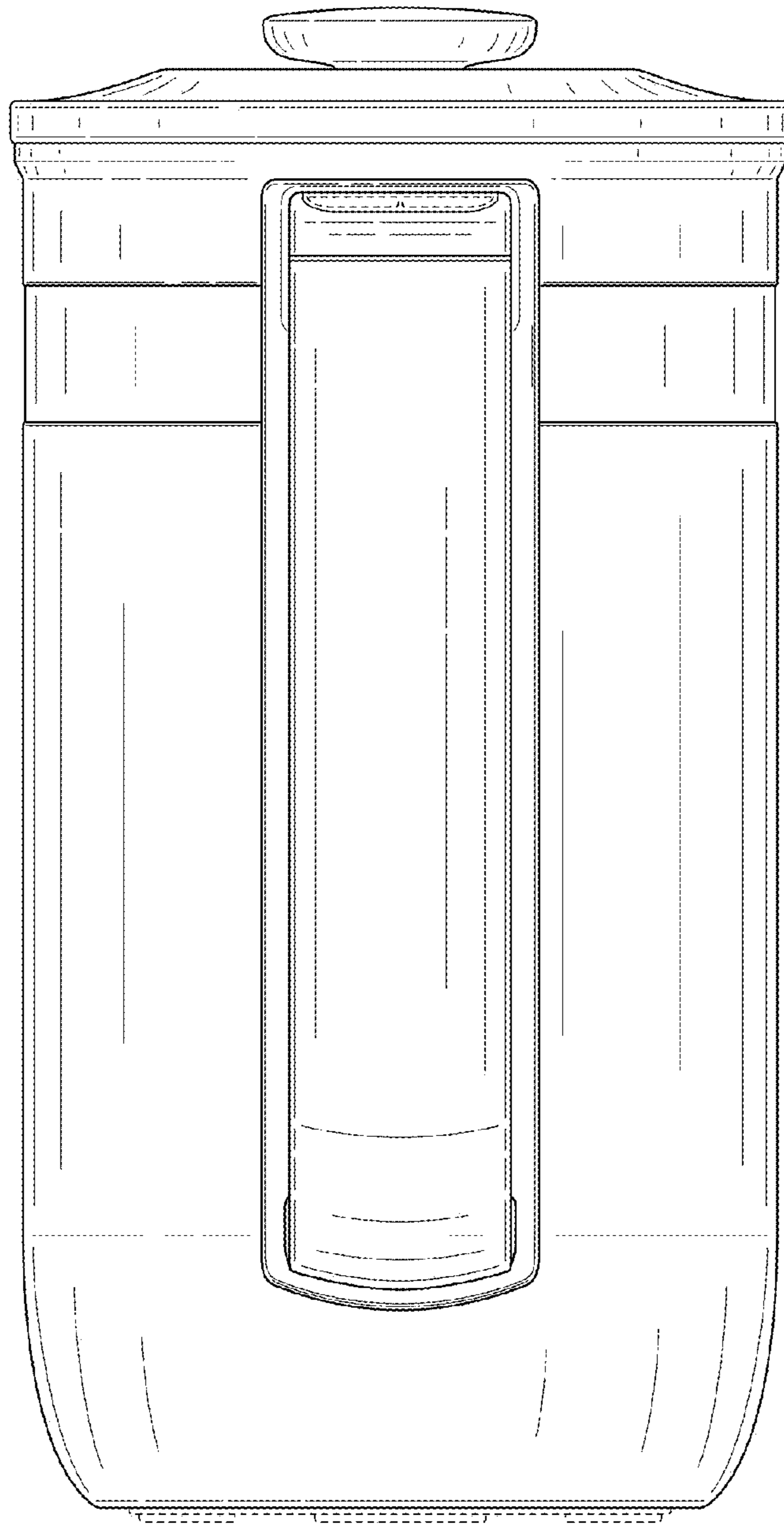


FIG. 3

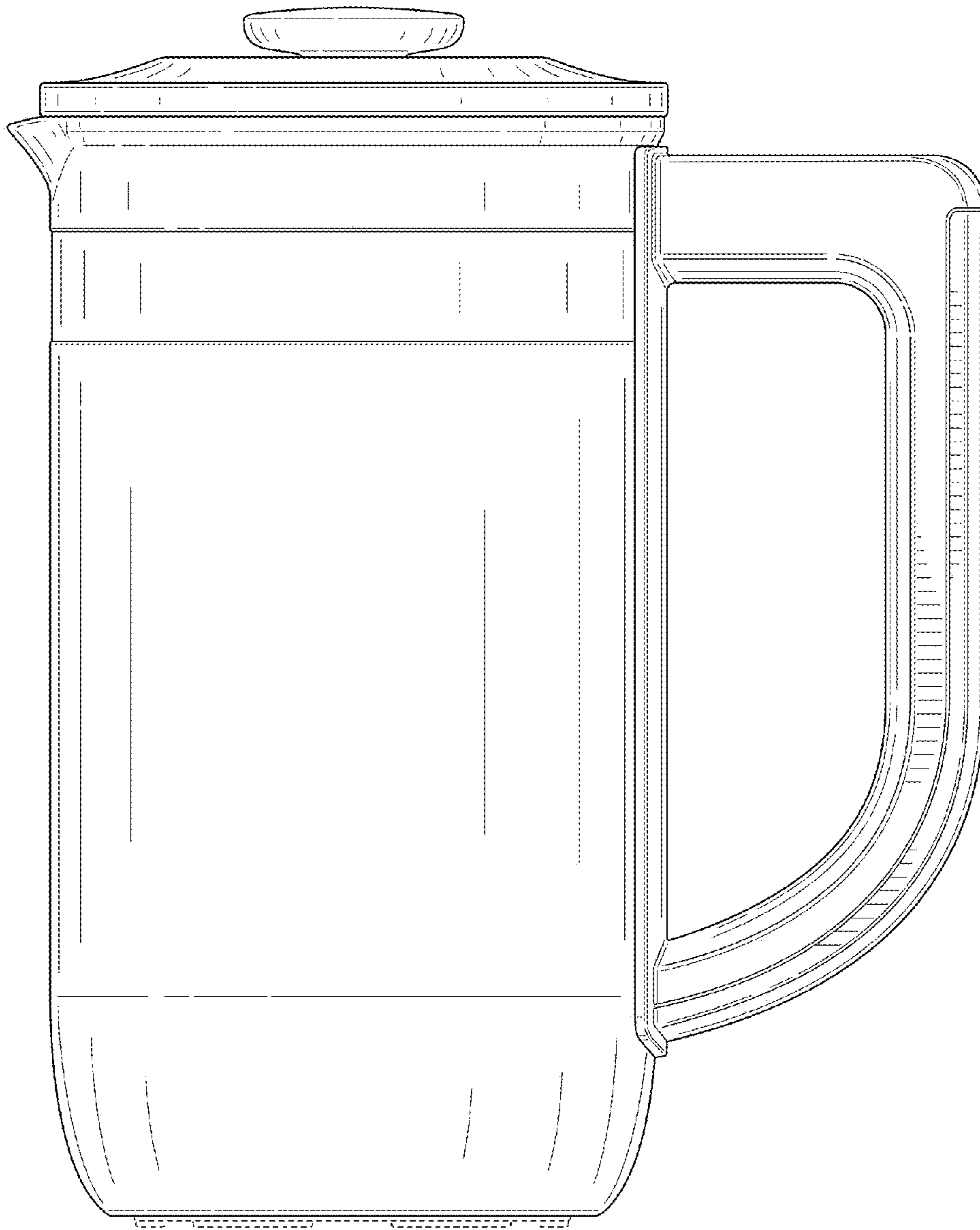


FIG. 4

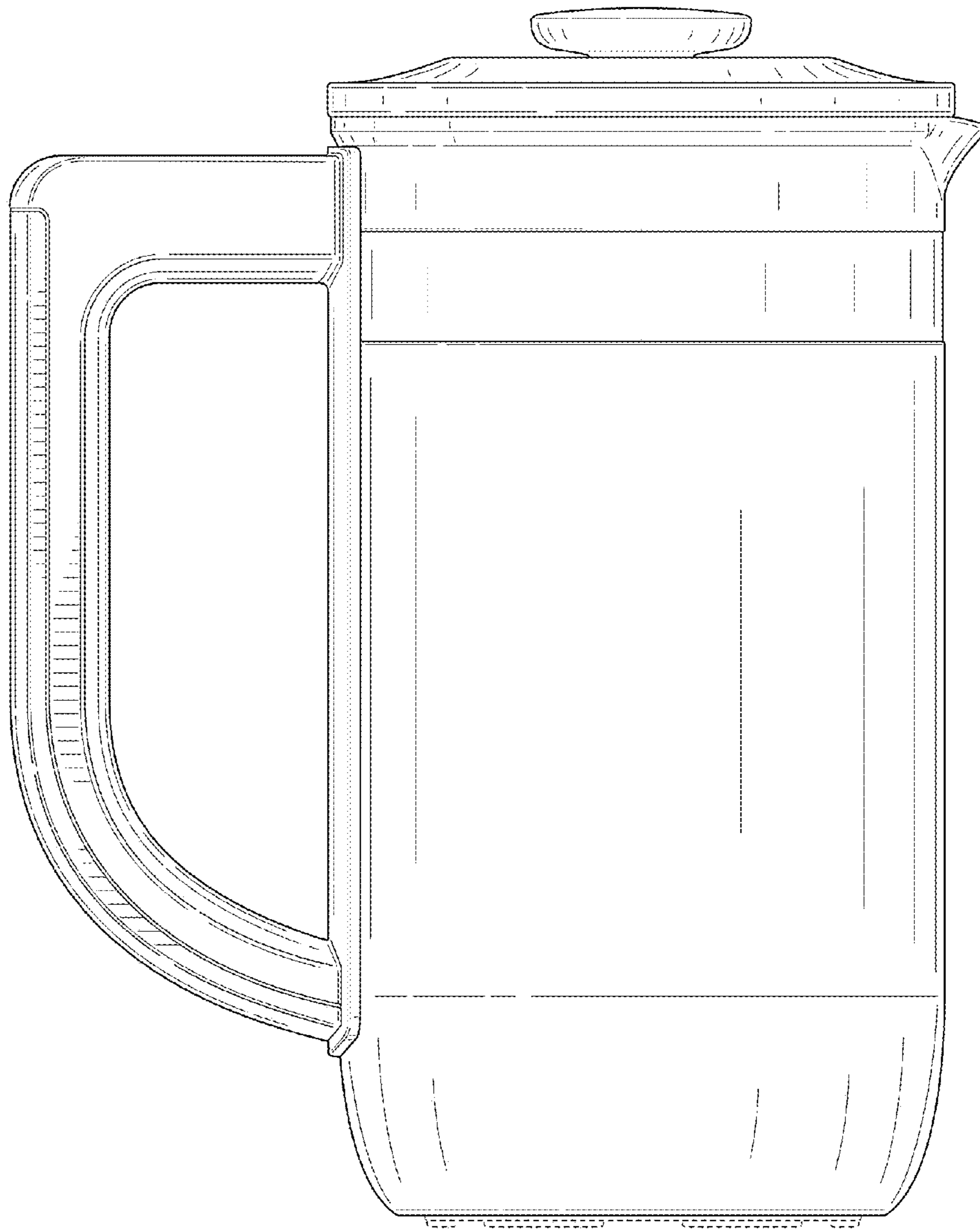


FIG. 5

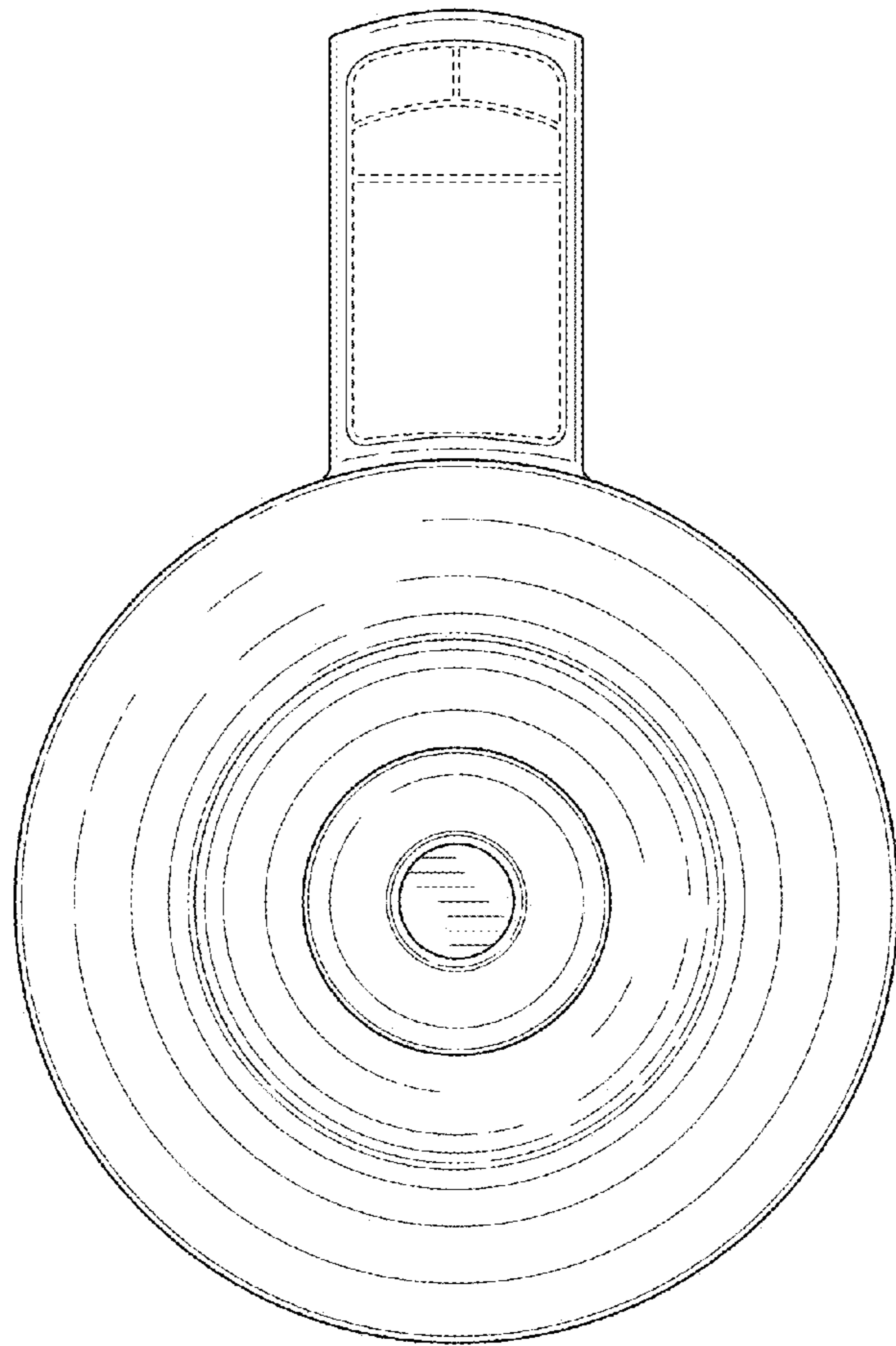


FIG. 6

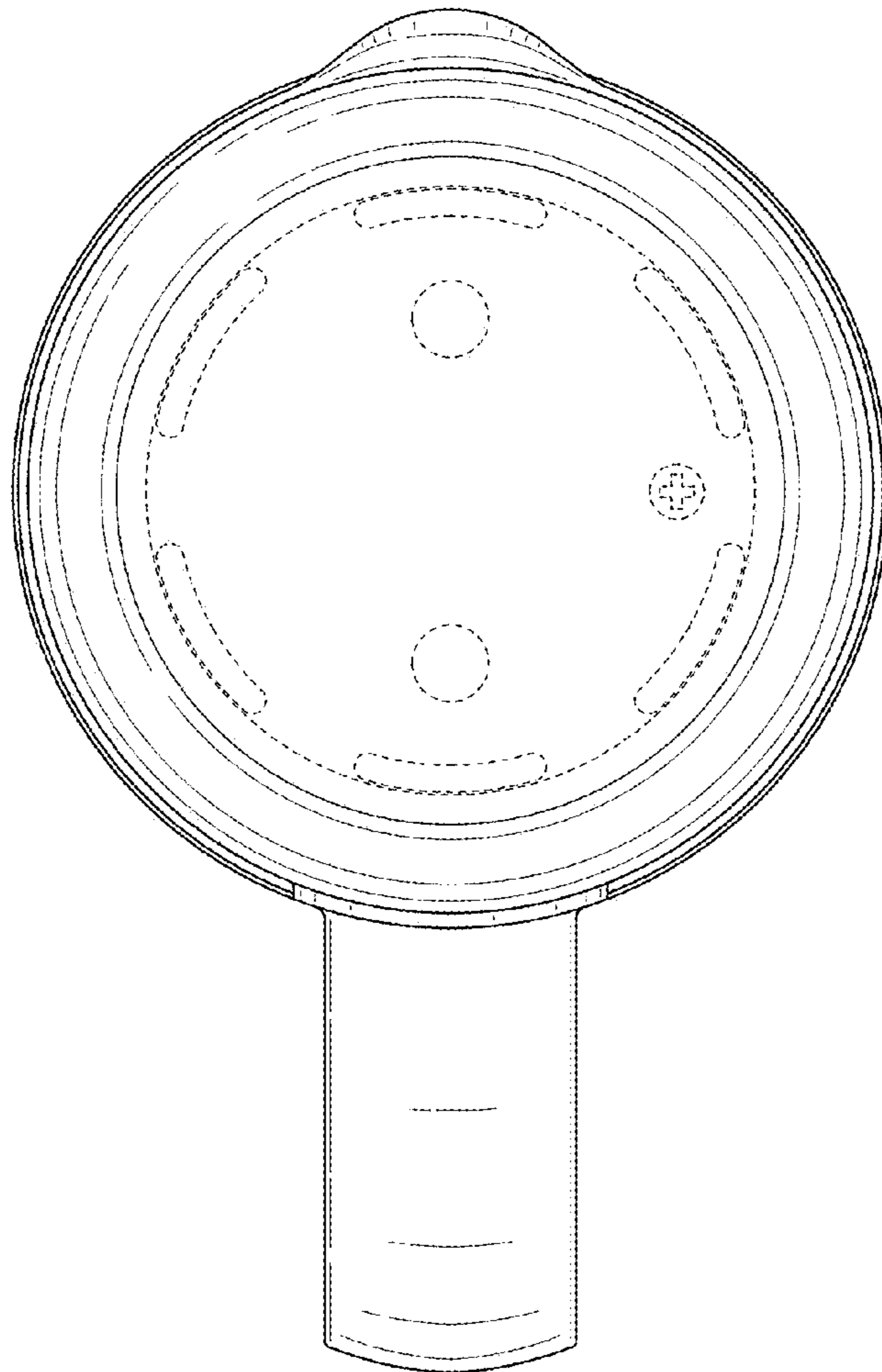


FIG. 7