

US00D763041S

(12) **United States Design Patent**
Ash et al.

(10) **Patent No.:** **US D763,041 S**
(45) **Date of Patent:** **** Aug. 9, 2016**

- (54) **SOCCER MUG WITH A GOAL**
- (71) Applicant: **Max's Creations, Inc.**, Boston, MA (US)
- (72) Inventors: **Max J Ash**, Weston, MA (US); **Jordan Nollman**, Boston, MA (US)
- (73) Assignee: **HMDYH Holding Company, LLC**, Norwood, MA (US)
- (**) Term: **15 Years**
- (21) Appl. No.: **29/527,263**
- (22) Filed: **May 18, 2015**

- 2,591,606 A * 4/1952 Reed A47G 19/22 210/469
- 2,600,479 A * 6/1952 Campomar A47G 19/2211 119/900
- 2,753,049 A * 7/1956 Gaines A47G 19/2211 210/469
- 2,770,956 A * 11/1956 Achtziger A47G 19/23 215/10
- 3,150,084 A * 9/1964 Rodges A47G 19/2211 210/463
- 3,752,320 A * 8/1973 Biro A47G 19/2211 210/469
- 4,366,914 A * 1/1983 Ingram A47G 19/2211 210/469
- D308,431 S * 6/1990 Phelps D21/703
- 4,938,375 A * 7/1990 Fantacone A47G 19/2211 210/464
- D330,826 S * 11/1992 English D7/515
- D333,373 S * 2/1993 Pacelli D99/37

(Continued)

Related U.S. Application Data

- (63) Continuation-in-part of application No. 14/624,892, filed on Feb. 18, 2015, and application No. 29/527,263, and a continuation-in-part of application No. 14/624,963, filed on Feb. 18, 2015.
- (51) **LOC (10) Cl.** **07-01**
- (52) **U.S. Cl.**
USPC **D7/515**; D7/396.2; D7/396.3
- (58) **Field of Classification Search**
USPC D7/396.2, 510, 511, 300.2, 398, 397, D7/392, 300, 514, 515, 396.3; D9/435, D9/447; 220/713, 731, 287; 215/387, 389; 206/457; D21/699
CPC A47G 19/2211; A47G 19/22; A45D 33/02
See application file for complete search history.

(56) **References Cited**

U.S. PATENT DOCUMENTS

- D69,899 S * 4/1926 Mahoney D11/99
- 1,739,627 A * 12/1929 Austin A47G 19/2211 220/719
- 2,198,059 A * 4/1940 Pistorius A47G 19/2211 210/469
- D143,321 S * 12/1945 Hubbard D7/520

Primary Examiner — Marianne Pandozzi

(74) *Attorney, Agent, or Firm* — Ascentage Patent Law, LLC; Travis Lee Johnson; David S. Einfeldt

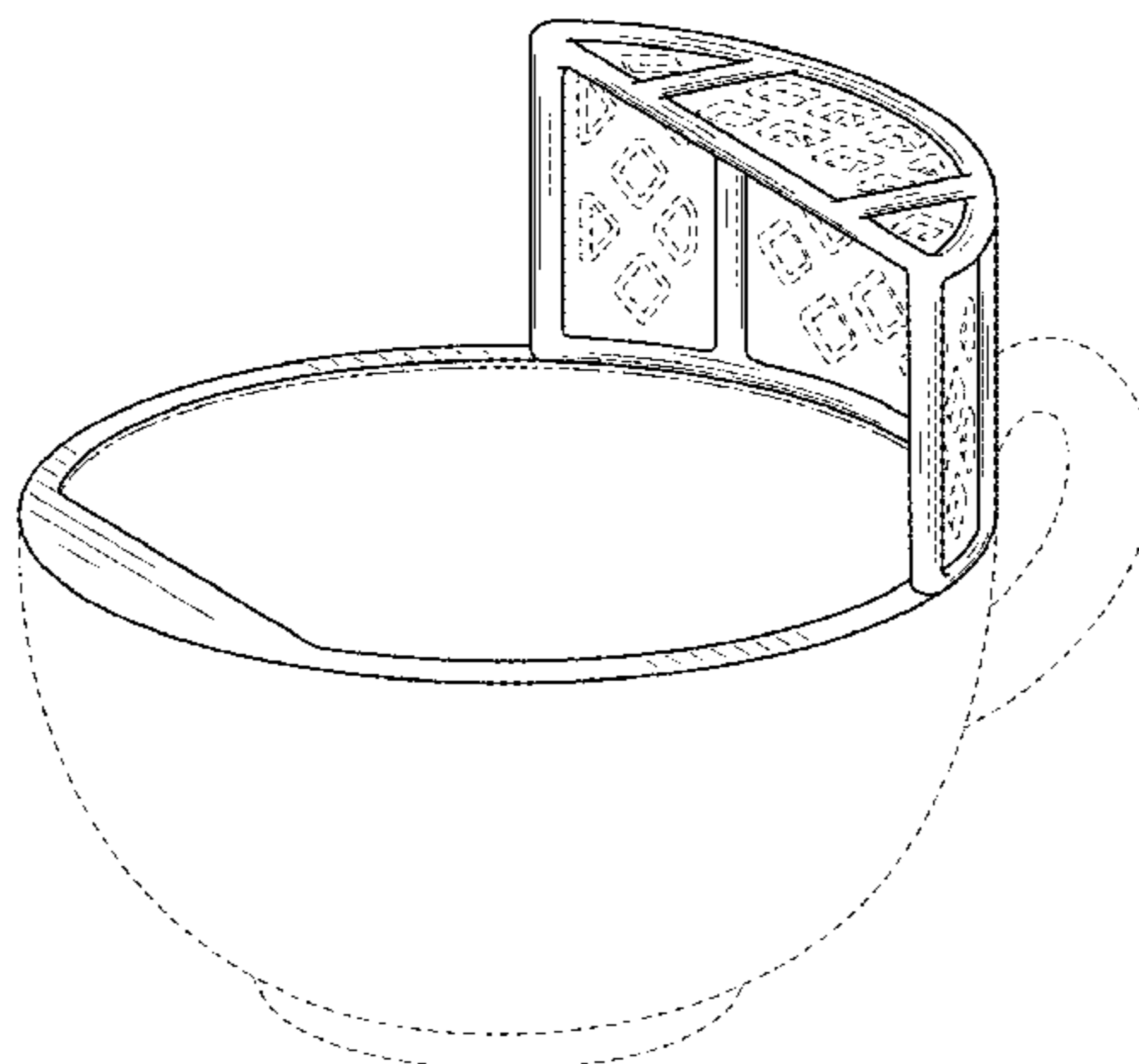
(57) **CLAIM**

The ornamental design for a soccer mug with a goal, as shown and described.

DESCRIPTION

FIG. 1 is a top perspective view of a soccer mug with a goal illustrating the Applicant's new design;
 FIG. 2 is a top view of the soccer mug with a goal;
 FIG. 3 is a bottom view of the soccer mug with a goal;
 FIG. 4 is a front view of the soccer mug with a goal;
 FIG. 5 is a side view of the soccer mug with a goal; and,
 FIG. 6 is an enlarged rear view thereof, the rest of the soccer mug with a goal removed for ease of illustration.
 Where included, the use of stippling is intended to denote a difference in materials.
 The broken lines shown in the figures represent portions of a soccer mug with a goal that form no part of the claimed design.

1 Claim, 3 Drawing Sheets



(56)

References Cited

U.S. PATENT DOCUMENTS

5,379,914 A *	1/1995	Martins	A47G 19/2211	220/269
D360,667 S *	7/1995	Liu	D21/703	
5,702,024 A *	12/1997	Riso	A47G 19/2211	220/704
5,853,106 A *	12/1998	Galluzzo	A47G 19/2211	220/703
6,102,203 A *	8/2000	Marro	A47K 1/09	206/362.1
D529,250 S *	9/2006	Sofy	D34/4	
D529,968 S *	10/2006	Frankel	D21/699	
D562,636 S *	2/2008	Weber	D7/509	
7,472,801 B1 *	1/2009	Moynihan	B65F 1/14	220/694
7,611,146 B2 *	11/2009	Arden	A63B 67/083	273/317
D609,280 S *	2/2010	Lessard	273/317.5	
7,722,049 B2 *	5/2010	Williams	A47G 19/025	273/317
D647,595 S *	10/2011	Reid	D23/209	
D723,336 S *	3/2015	Ash	D7/515	
D727,107 S *	4/2015	Parodi, Jr.	D7/396.2	
D751,391 S *	3/2016	Wu	D7/392.1	

* cited by examiner

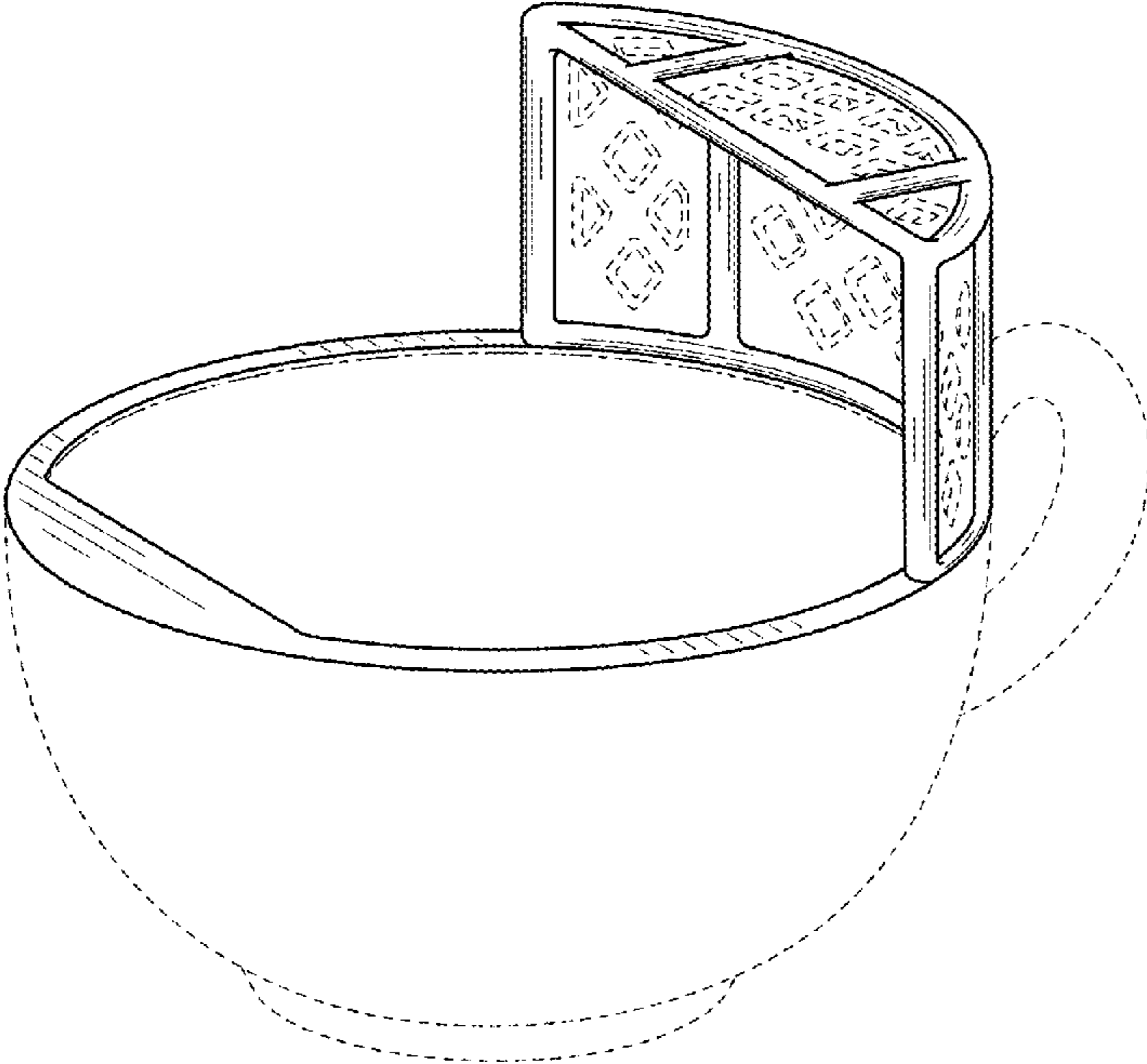


FIG. 1

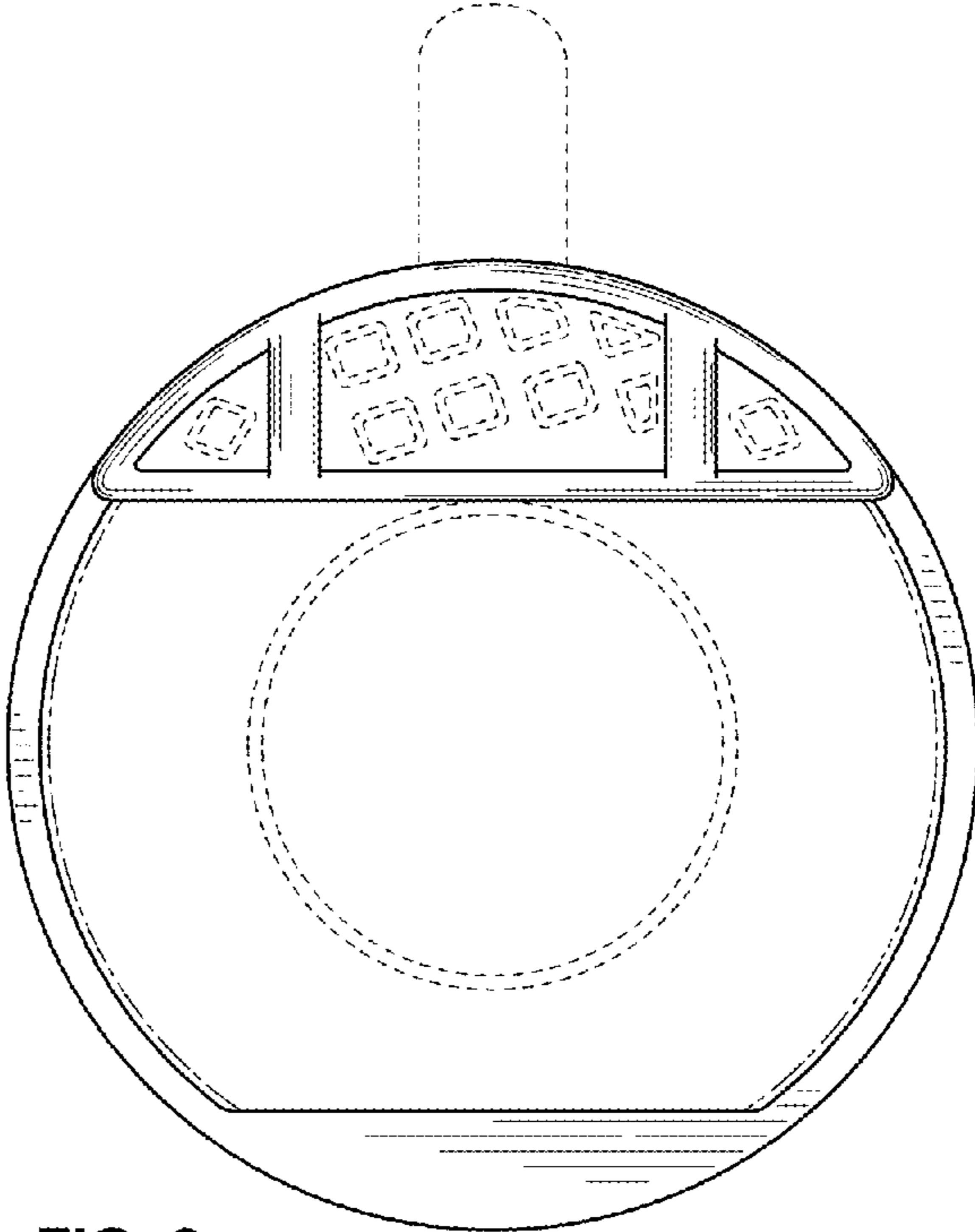


FIG. 2

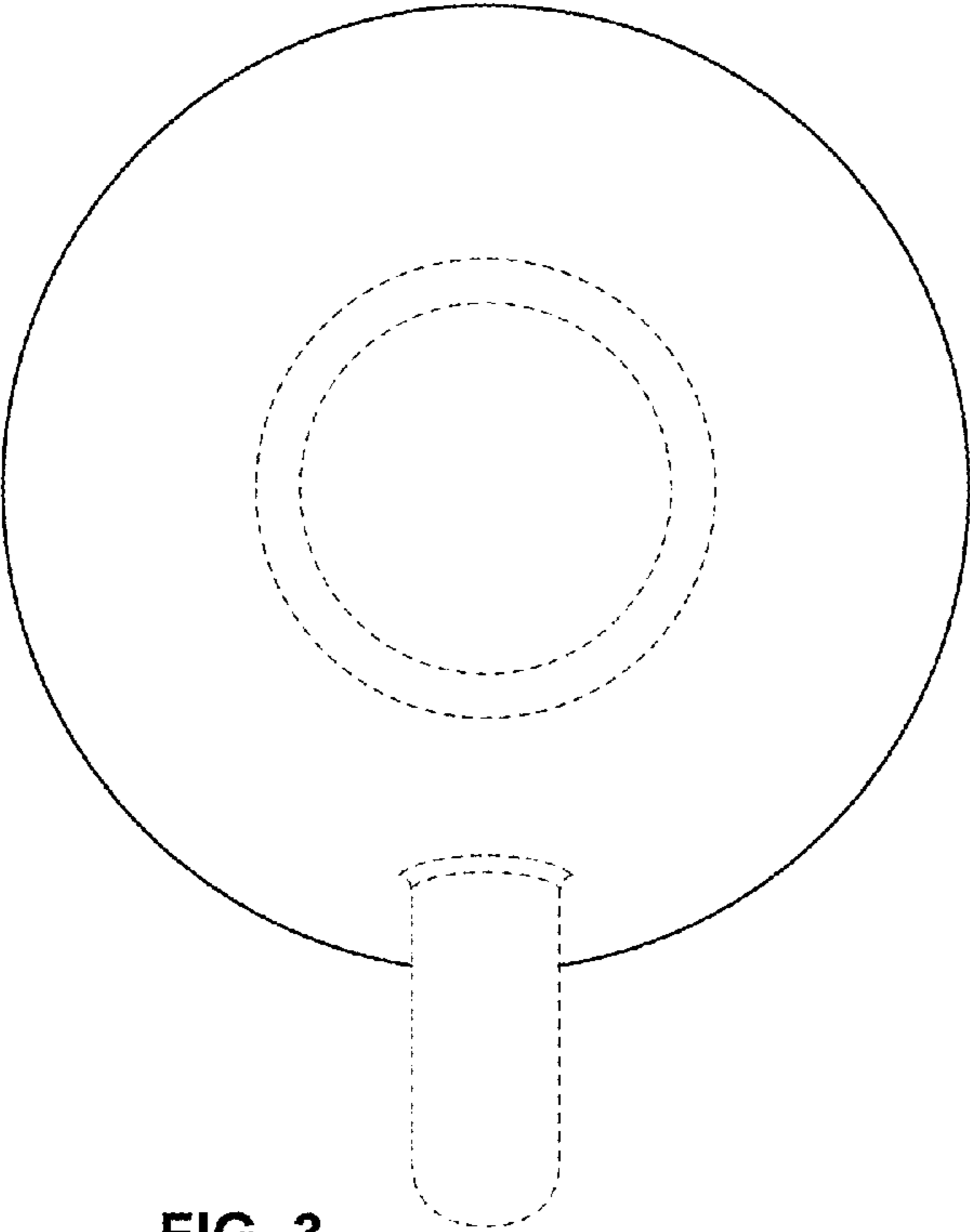


FIG. 3

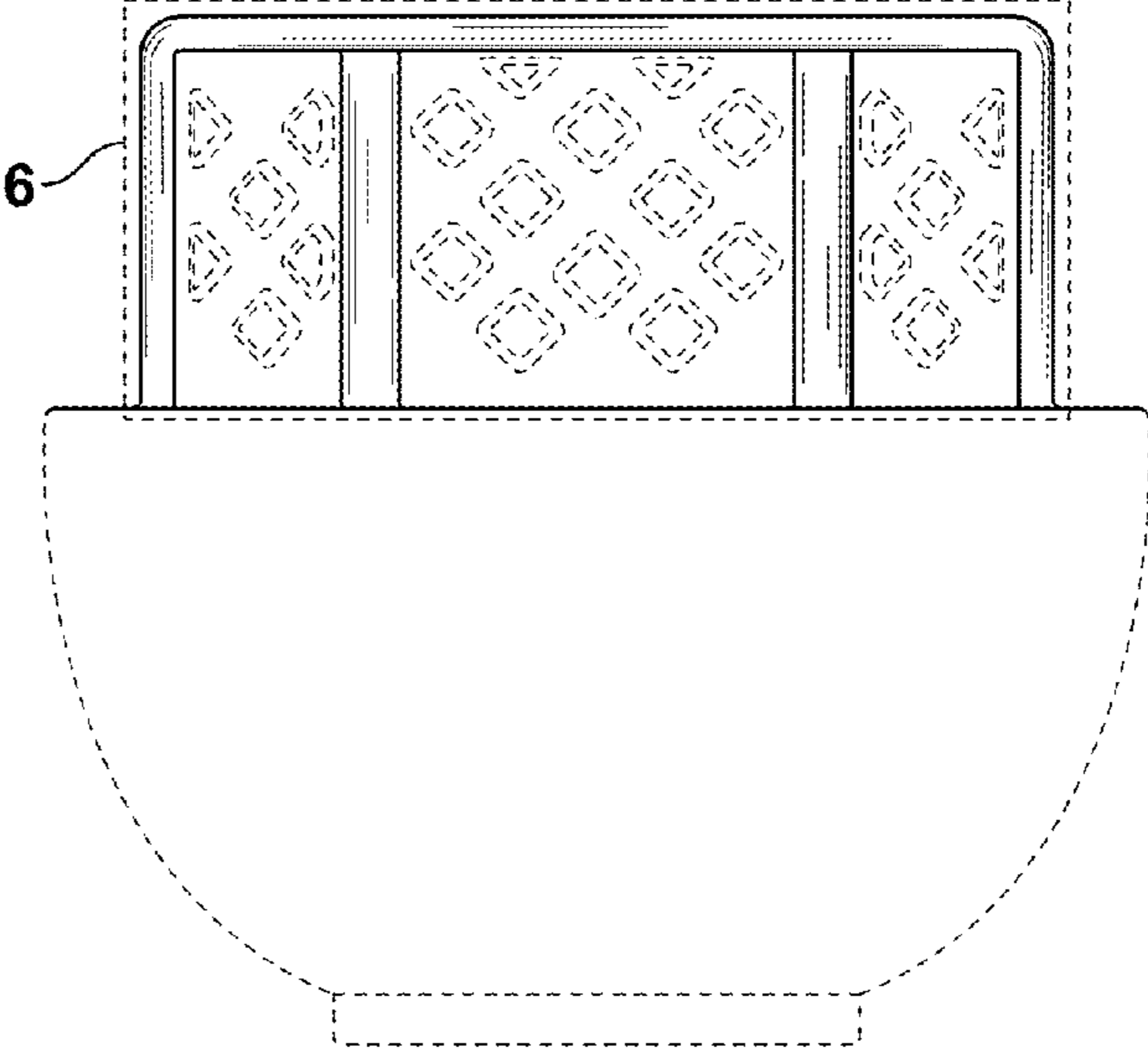


FIG. 4

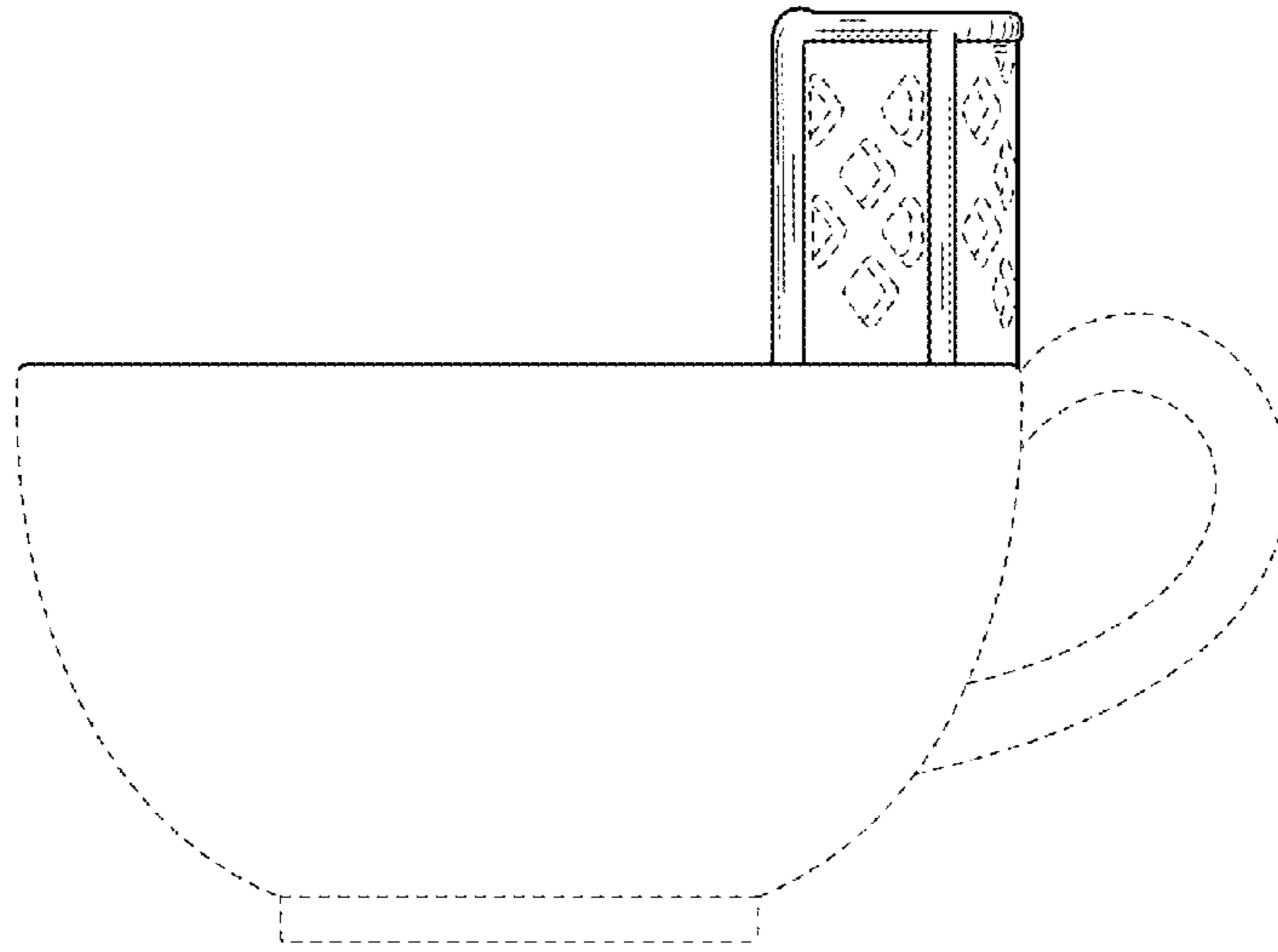


FIG. 5

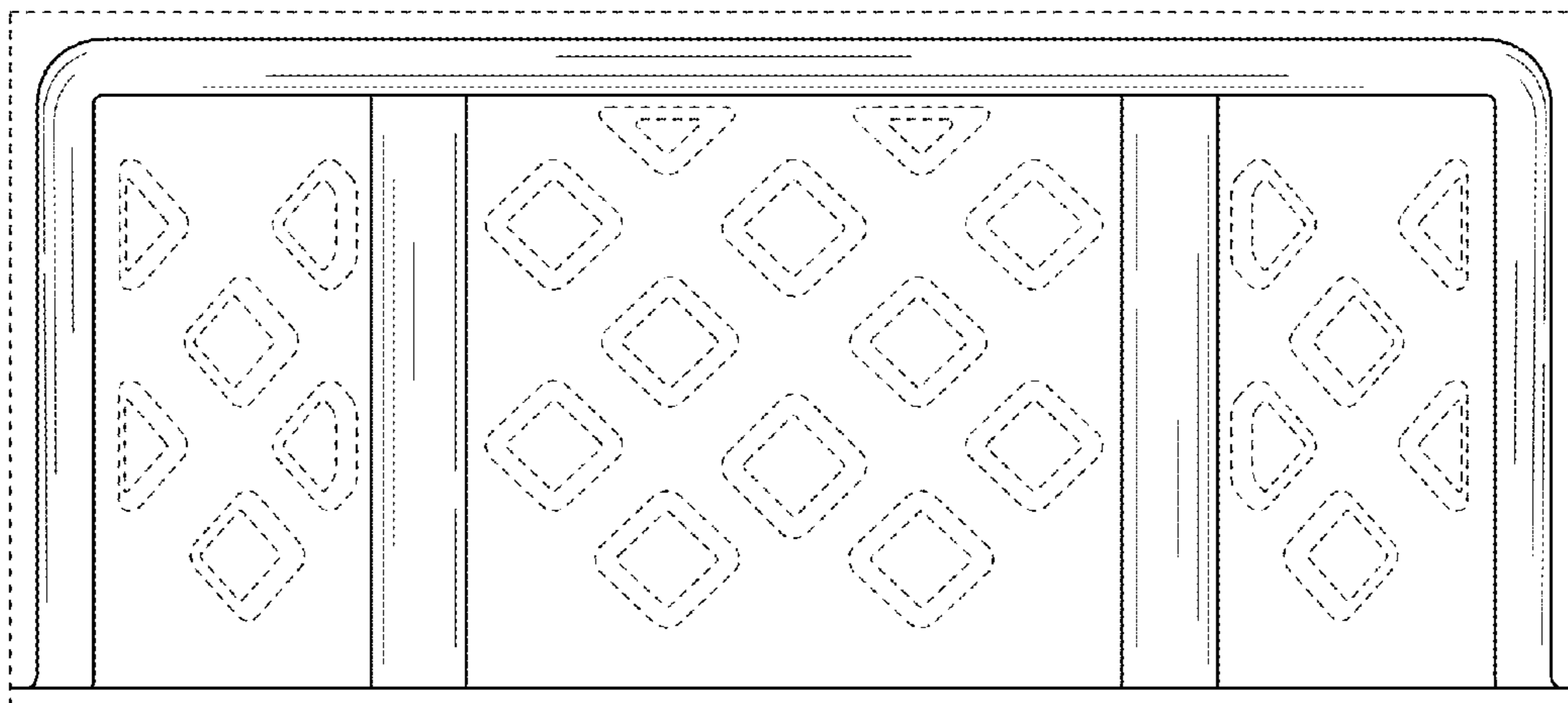


FIG. 6