

US00D763040S

(12) **United States Design Patent**
Punjabi

(10) **Patent No.:** **US D763,040 S**

(45) **Date of Patent:** **** Aug. 9, 2016**

- (54) **GOLF BAG DRINKING GLASS**
- (71) Applicant: **Raj Punjabi**, Nashua, NH (US)
- (72) Inventor: **Raj Punjabi**, Nashua, NH (US)
- (**) Term: **14 Years**
- (21) Appl. No.: **29/526,519**
- (22) Filed: **May 11, 2015**
- (51) **LOC (10) Cl.** **07-01**
- (52) **U.S. Cl.**
USPC **D7/515**; D7/536; D9/668; D3/255
- (58) **Field of Classification Search**
USPC D7/509, 514, 515, 518, 521, 539, 564,
D7/301, 623, 536; 220/212, 23.86;
215/387; D9/68; D3/255; 206/315.5
CPC A47G 19/2205; A47J 43/27; A45C 7/0086
See application file for complete search history.

- 5,908,132 A * 6/1999 Pigeon B65F 1/141
206/315.3
- D413,018 S * 8/1999 Boldig D3/255
- D463,645 S * 9/2002 Chavarri Gonzalez D3/254
- D493,033 S * 7/2004 Howe, Jr. D3/255
- D557,023 S * 12/2007 Baughman D6/351
- D573,405 S * 7/2008 Bruce D7/507
- D665,227 S * 8/2012 Cason D7/510
- 8,405,230 B2 * 3/2013 Lee H01L 23/16
257/666
- 8,424,678 B2 * 4/2013 Anderson A63B 55/00
206/315.3
- 8,905,230 B2 * 12/2014 Smith A63B 55/408
206/315.3
- 8,997,981 B1 * 4/2015 Gilkerson F25D 3/08
206/315.5

* cited by examiner

Primary Examiner — Marianne Pandozzi
(74) *Attorney, Agent, or Firm* — Gary E. Lambert; David J. Connaughton, Jr.; Lambert & Associates

(57) **CLAIM**
The ornamental design for a golf bag drinking glass, as shown and described.

(56) **References Cited**

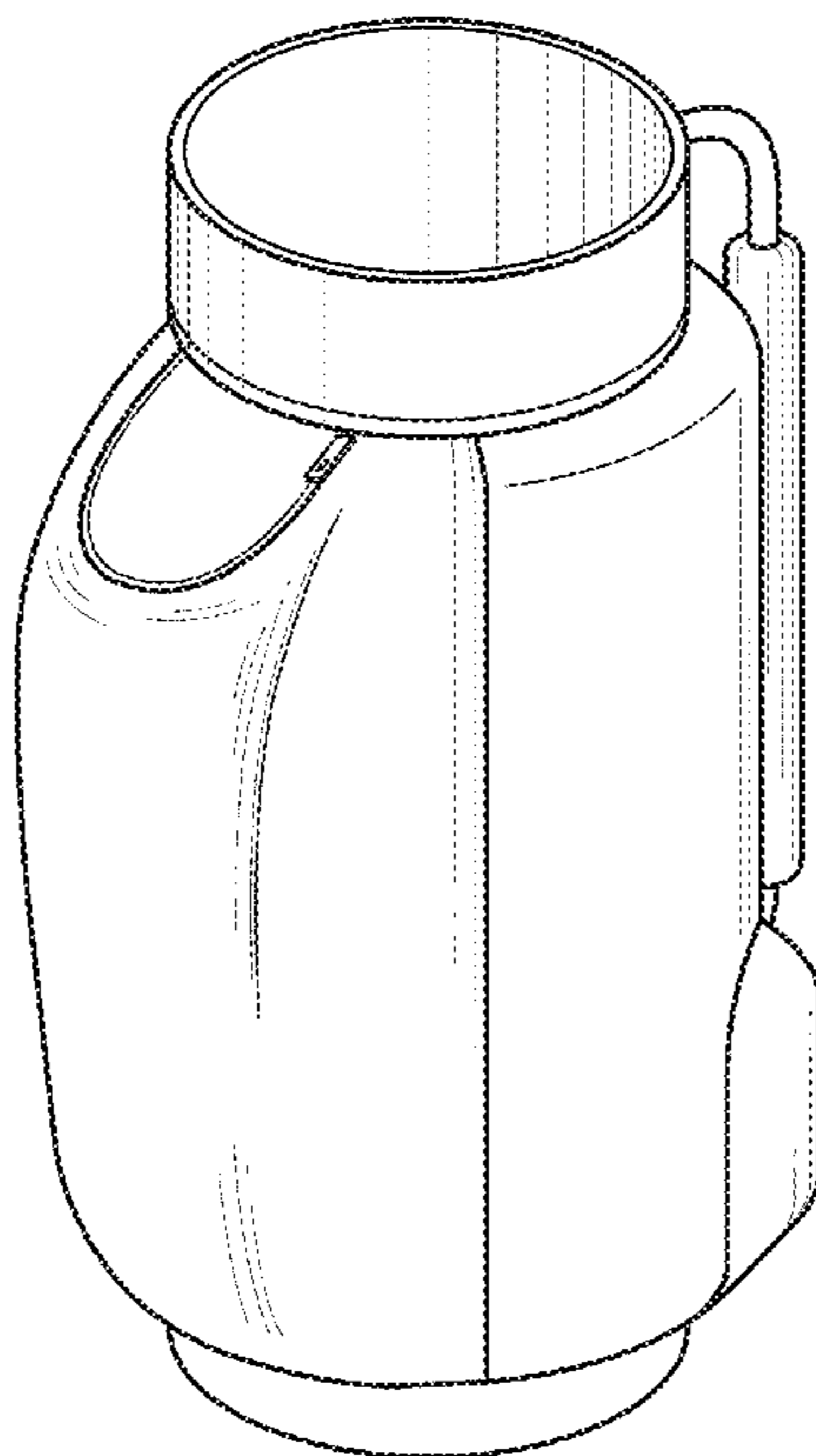
U.S. PATENT DOCUMENTS

- D234,181 S * 1/1975 Haswdl D34/15
- D320,887 S * 10/1991 Jones D3/255
- D327,422 S * 6/1992 Laing D9/668
- D328,688 S * 8/1992 Palmer D7/511
- 5,176,253 A * 1/1993 Perrin A45C 7/0086
206/315.3
- D347,968 S * 6/1994 Friedman D7/302
- D356,233 S * 3/1995 Meier D7/515
- D360,805 S * 8/1995 Friedman D7/302
- D364,536 S * 11/1995 Law D7/515
- D366,812 S * 2/1996 Collins D3/255
- D382,397 S * 8/1997 Wu D3/255

DESCRIPTION

FIG. 1 is a perspective view of a golf bag drinking glass showing my new design;
FIG. 2 is a front view thereof;
FIG. 3 is a rear view thereof;
FIG. 4 is a right view thereof;
FIG. 5 is a left view thereof;
FIG. 6 is a top plan view thereof; and,
FIG. 7 is a bottom plan view thereof.

1 Claim, 4 Drawing Sheets



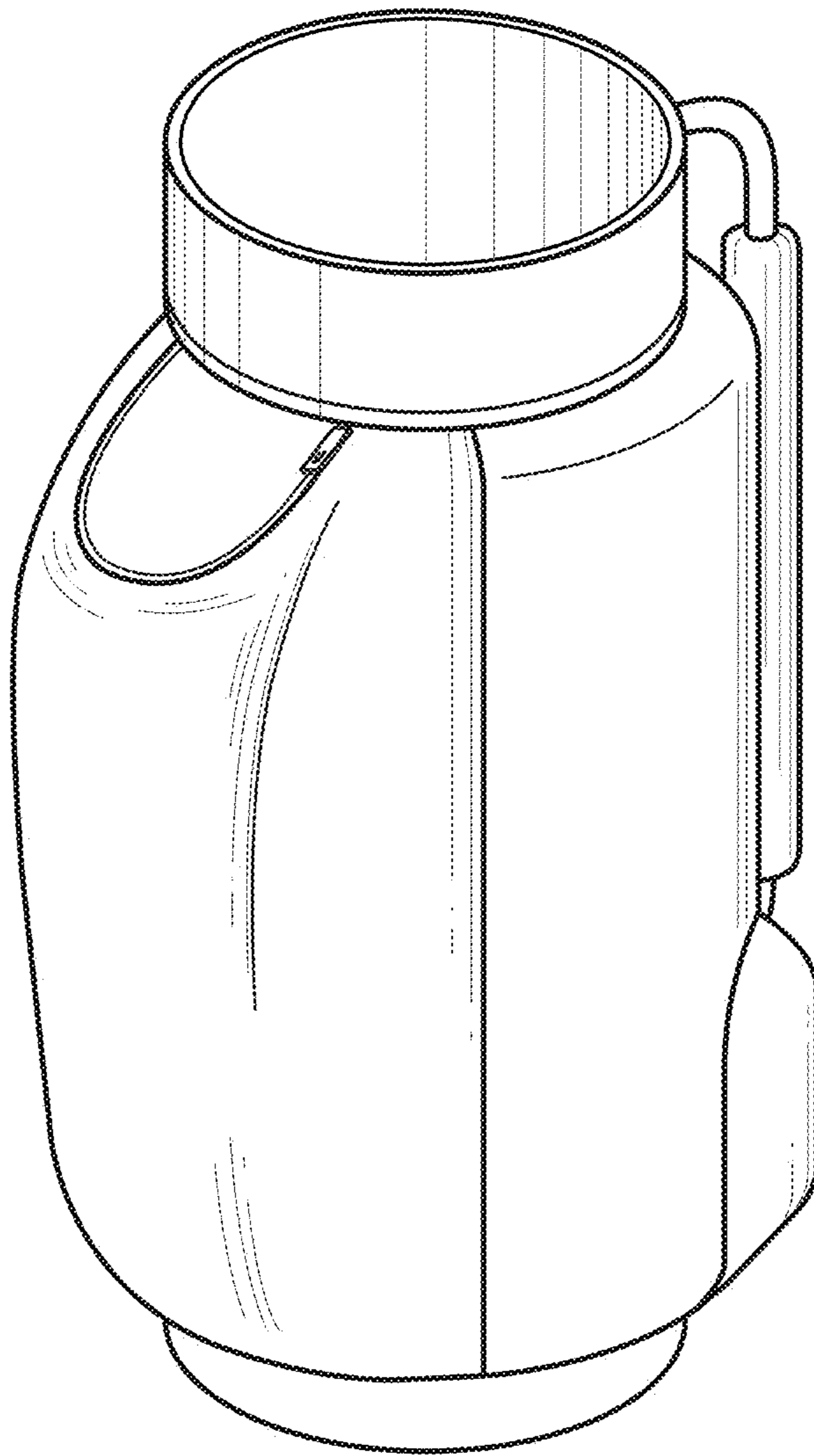


Fig. 1

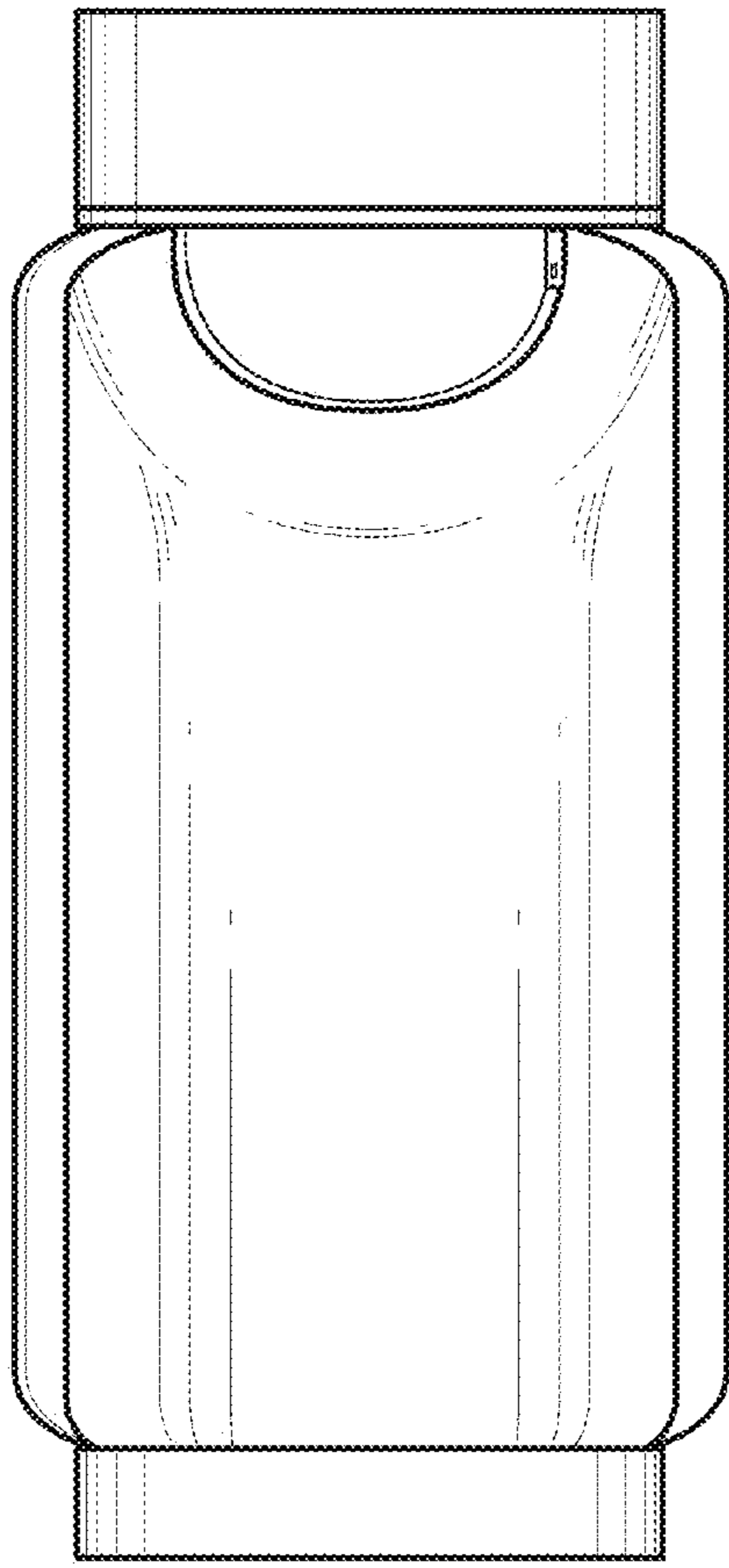


Fig. 2

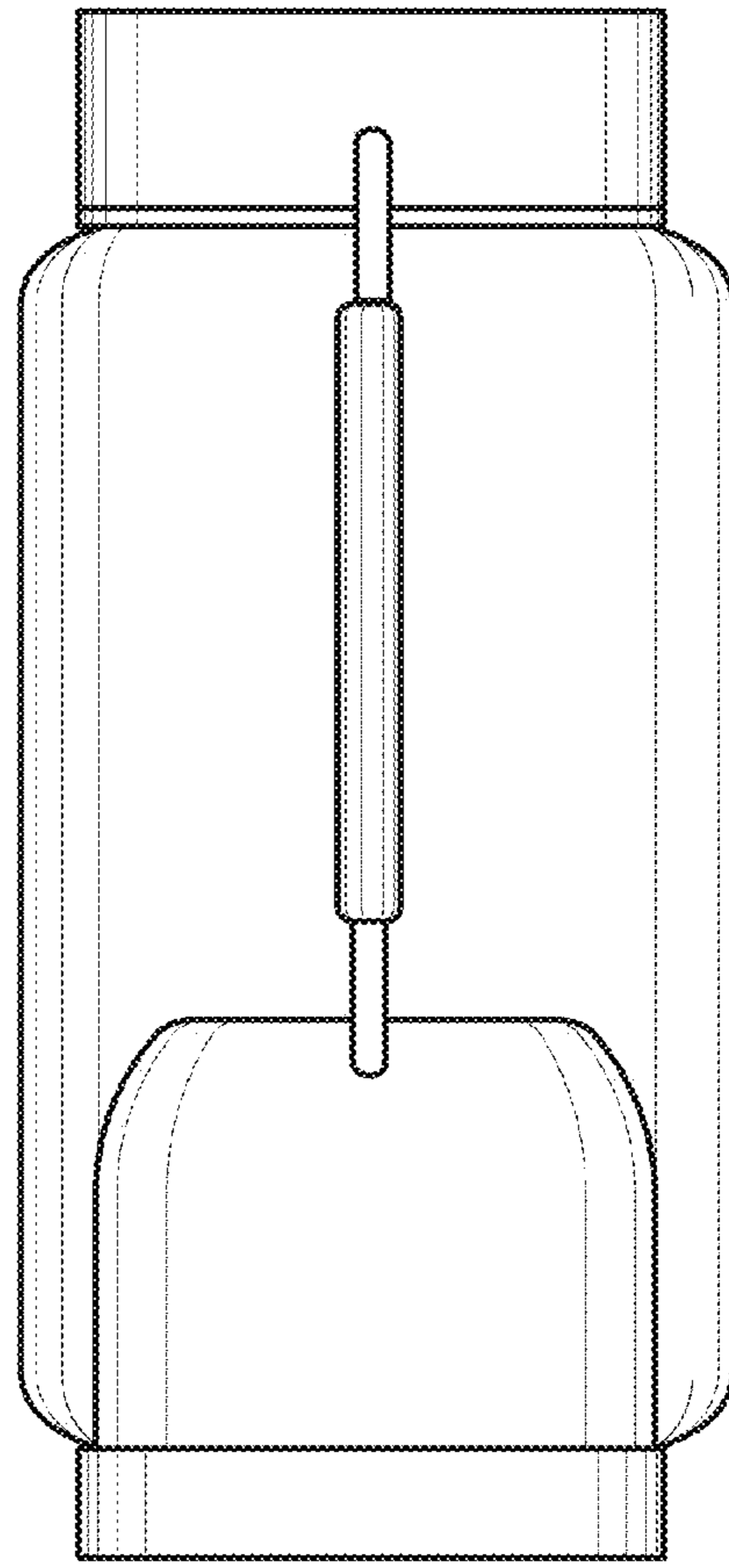


Fig. 3

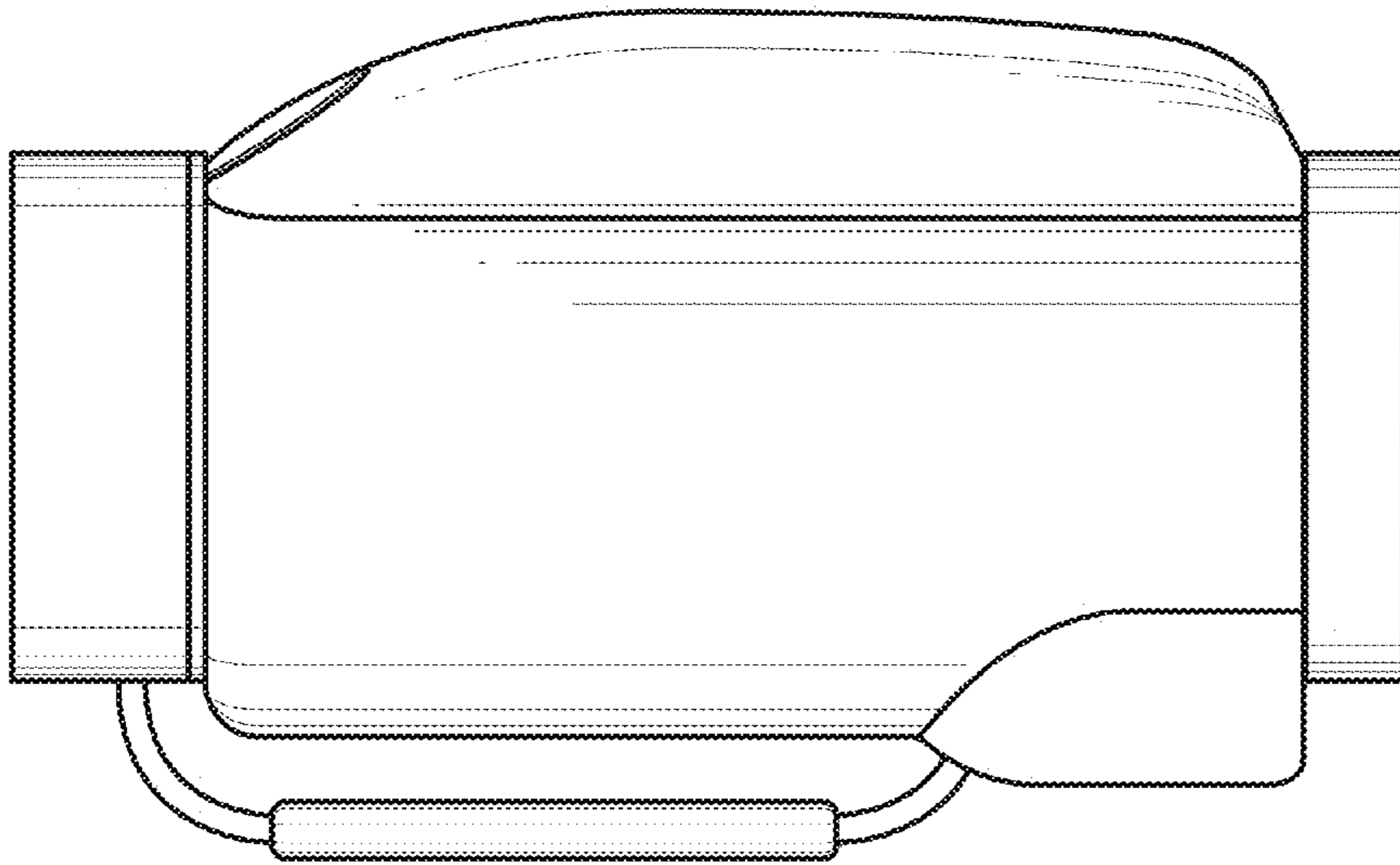


Fig. 5

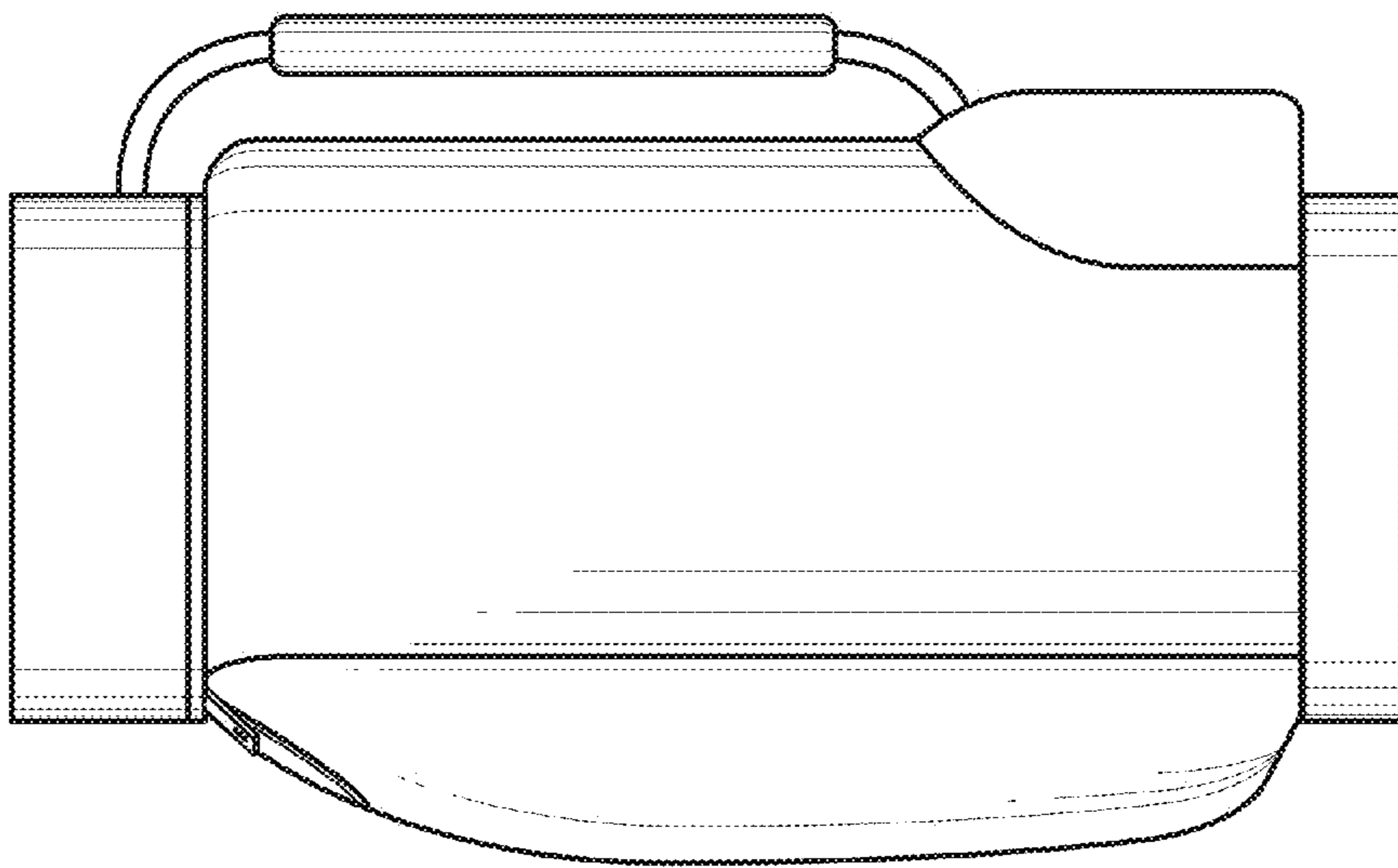


Fig. 4

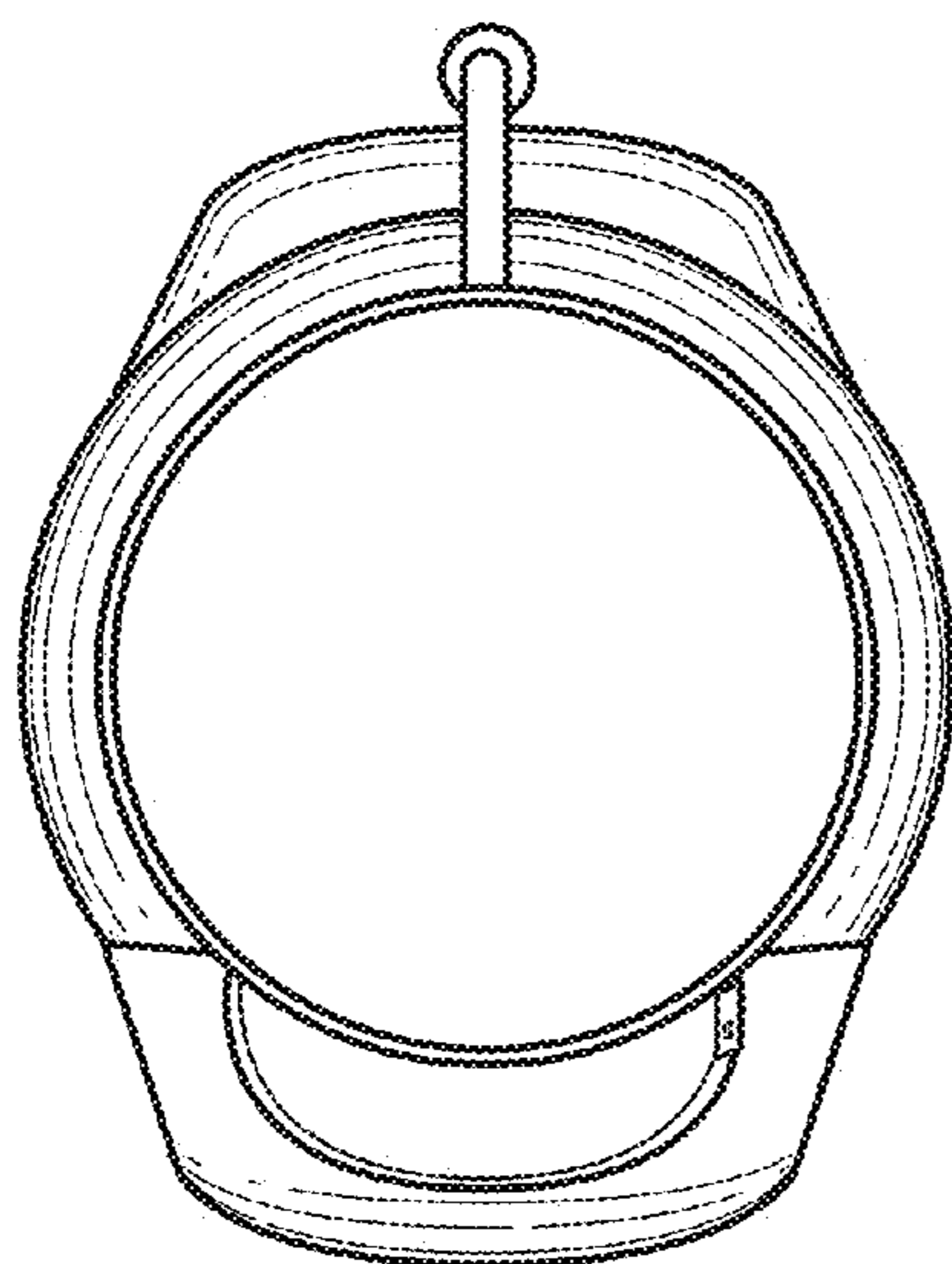


Fig. 6

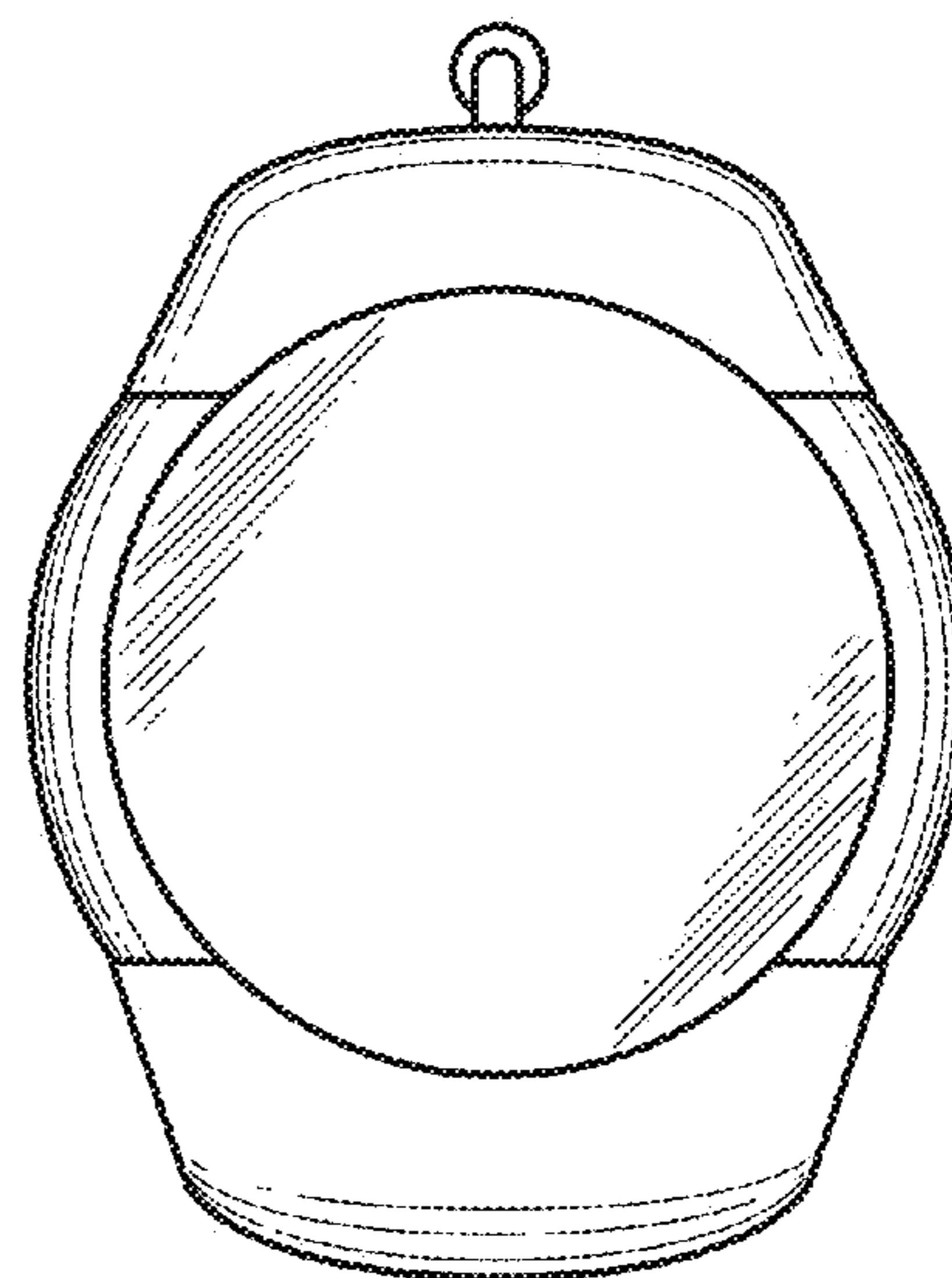


Fig. 7