

US00D763039S

(12) **United States Design Patent**
Ionov

(10) **Patent No.:** **US D763,039 S**
(45) **Date of Patent:** **** Aug. 9, 2016**

- (54) **BEVERAGE CONTAINER**
- (71) Applicant: **Andrey Yuryevich Ionov**, Saint Petersburg (RU)
- (72) Inventor: **Andrey Yuryevich Ionov**, Saint Petersburg (RU)
- (73) Assignee: **LIMITED LIABILITY COMPANY "DAIRY CULTURE"** (RU)
- (**) Term: **14 Years**
- (21) Appl. No.: **29/515,861**
- (22) Filed: **Jan. 27, 2015**
- (51) **LOC (10) Cl.** **07-01**
- (52) **U.S. Cl.**
USPC **D7/511; D7/510; D9/428**
- (58) **Field of Classification Search**
USPC D7/507-512, 523, 528-532, 543, 312, D7/316, 317, 589, 607, 608, 387, 392.1, D7/396.2, 400; D9/555, 556, 569, 453, D9/499, 447, 449, 428, 425, 417; D8/499, D8/391, 393, 373; 220/669, 737, 675, 220/592.17; 206/520
CPC A47G 19/2272; A47G 19/2216; A47G 19/22; B65D 1/265; B65D 3/06; B65D 41/62; B65D 2543/00351; B65D 2543/00046
See application file for complete search history.

D369,108	S	*	4/1996	Haske	D9/447
D382,763	S	*	8/1997	Jeppesen	D7/312
D402,556	S	*	12/1998	Frye	D9/447
5,845,807	A	*	12/1998	De Villiers	A47G 19/12 220/703
D514,444	S	*	2/2006	Smith	D9/447
D514,445	S	*	2/2006	Smith	D9/447
D553,435	S	*	10/2007	de Groote	D7/300.1
D598,743	S	*	8/2009	LaMasney	D7/316
D647,399	S	*	10/2011	Winkler	D9/417
D658,057	S	*	4/2012	Donat	D9/447
D664,001	S	*	7/2012	Liu	D7/510
D675,524	S	*	2/2013	Bickert	D7/392.1
D676,270	S	*	2/2013	Heiberg	D7/316
D700,512	S	*	3/2014	Daniel	D9/447
D707,490	S	*	6/2014	Hertaus	D7/397
D736,615	S	*	8/2015	O'Brien	D9/417
2004/0084452	A1	*	5/2004	Hsieh	A47G 19/2272 220/256.1
2005/0173434	A1	*	8/2005	O'Neal	B65D 43/0212 220/212
2013/0037558	A1	*	2/2013	Selina	B65D 21/0219 220/715
2013/0306663	A1	*	11/2013	Stuchell	A47G 19/2272 220/711

* cited by examiner

Primary Examiner — Marianne Pandozzi
Assistant Examiner — Jae Liang
(74) *Attorney, Agent, or Firm* — Inventa Capital PLC

(57) **CLAIM**
The ornamental design for a beverage container, as shown and described.

(56) **References Cited**

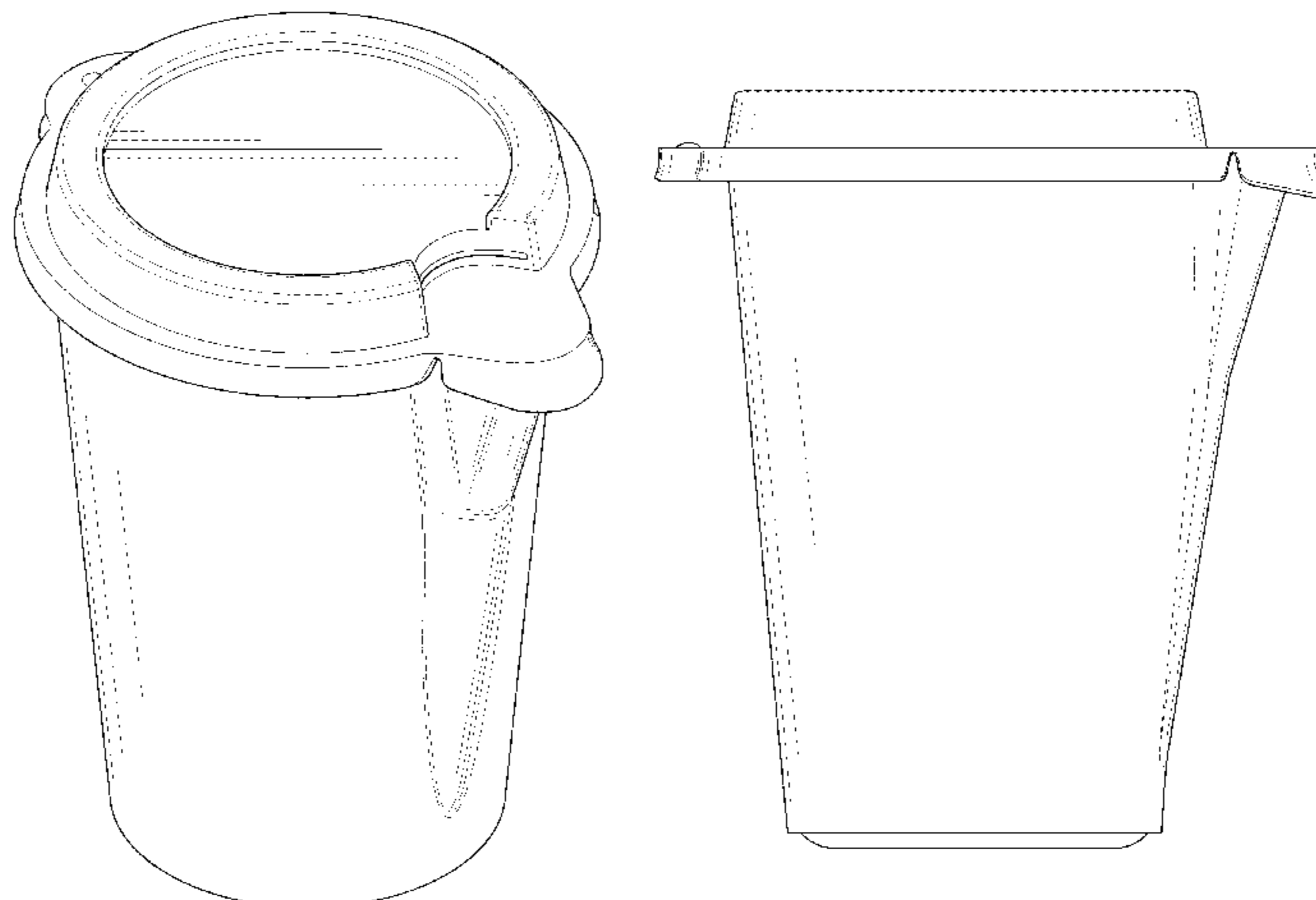
U.S. PATENT DOCUMENTS

2,812,121	A	*	11/1957	Sheets	A47G 19/12 220/784
3,081,010	A	*	3/1963	Tupper	B65D 47/0895 222/465.1
D215,749	S	*	10/1969	Adler	D7/317
3,810,470	A	*	5/1974	Von Gunten	A61J 7/0046 206/515
3,858,767	A	*	1/1975	Borin	B65D 51/10 222/494
D328,492	S	*	8/1992	Mathis	D10/46.2
D353,973	S	*	1/1995	Adado	D7/510

DESCRIPTION

FIG. 1 is a front perspective view of a beverage container showing my new design;
FIG. 2 is a left side view of the beverage container;
FIG. 3 is a top view of the beverage container;
FIG. 4 is a bottom view of the beverage container;
FIG. 5 is a front view of the beverage container; and,
FIG. 6 is a rear view of the beverage container.
The broken lines in the drawing depict portions of the beverage container that form no part of the claimed design.

1 Claim, 6 Drawing Sheets



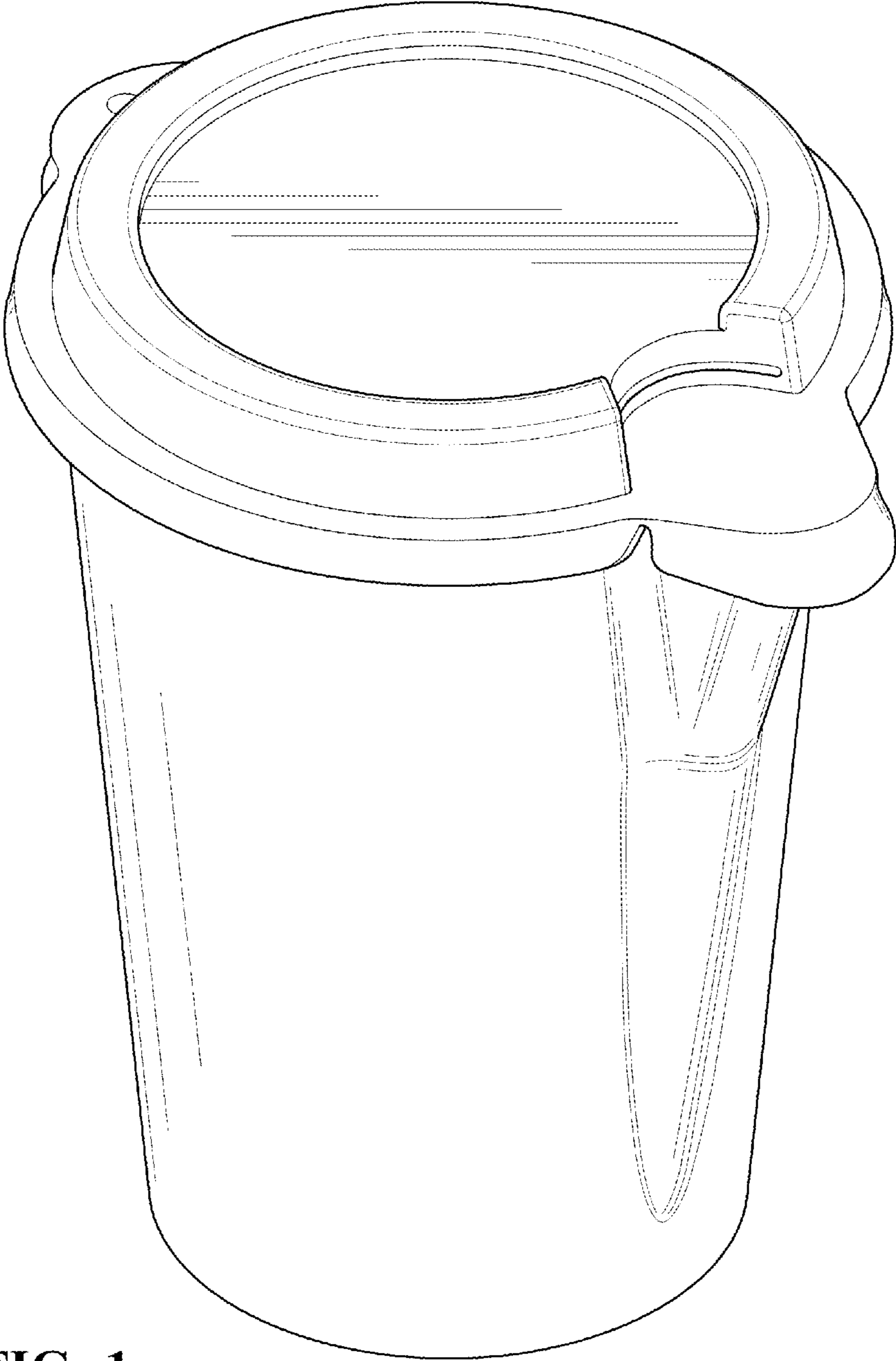


FIG. 1

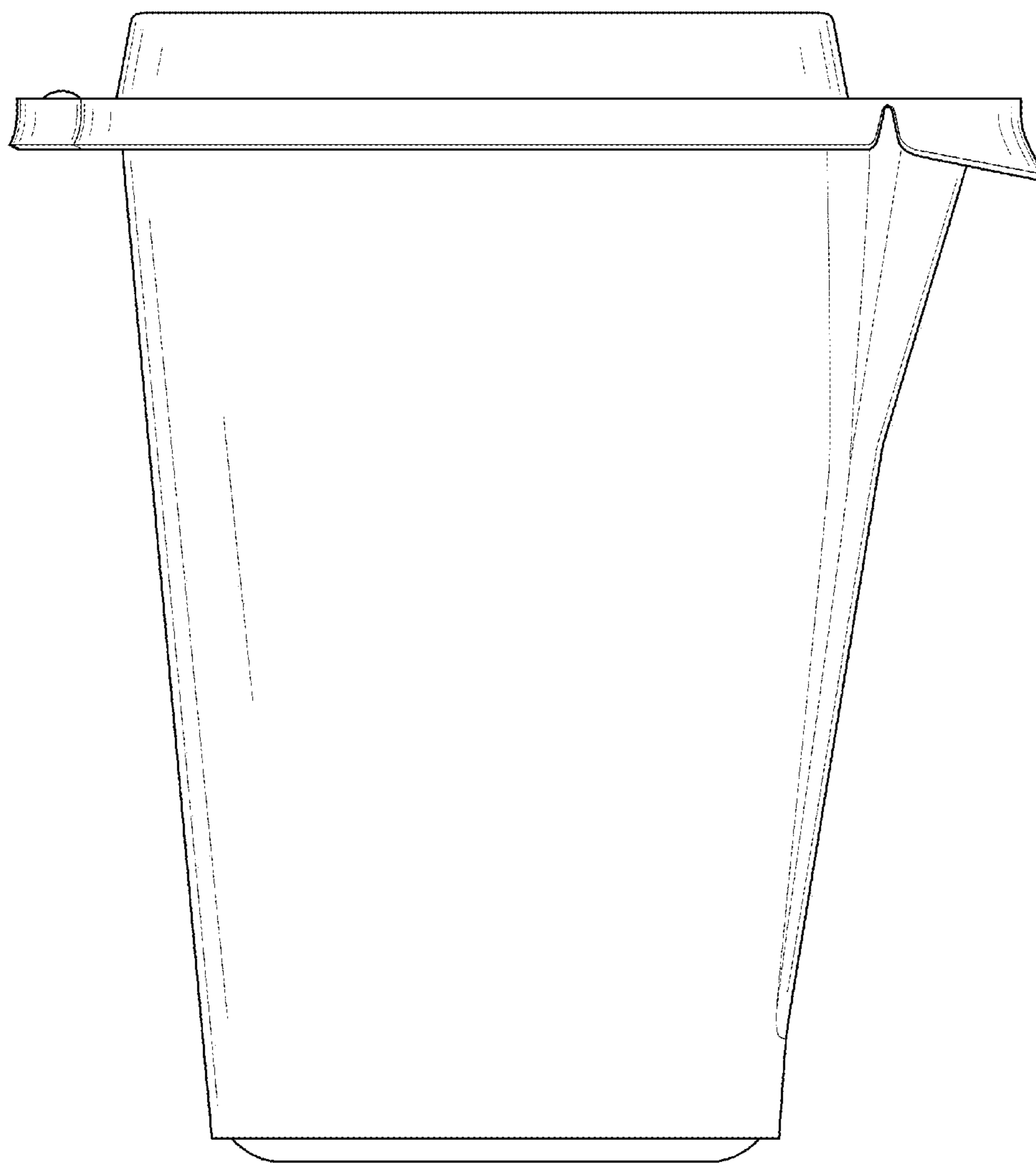


FIG. 2

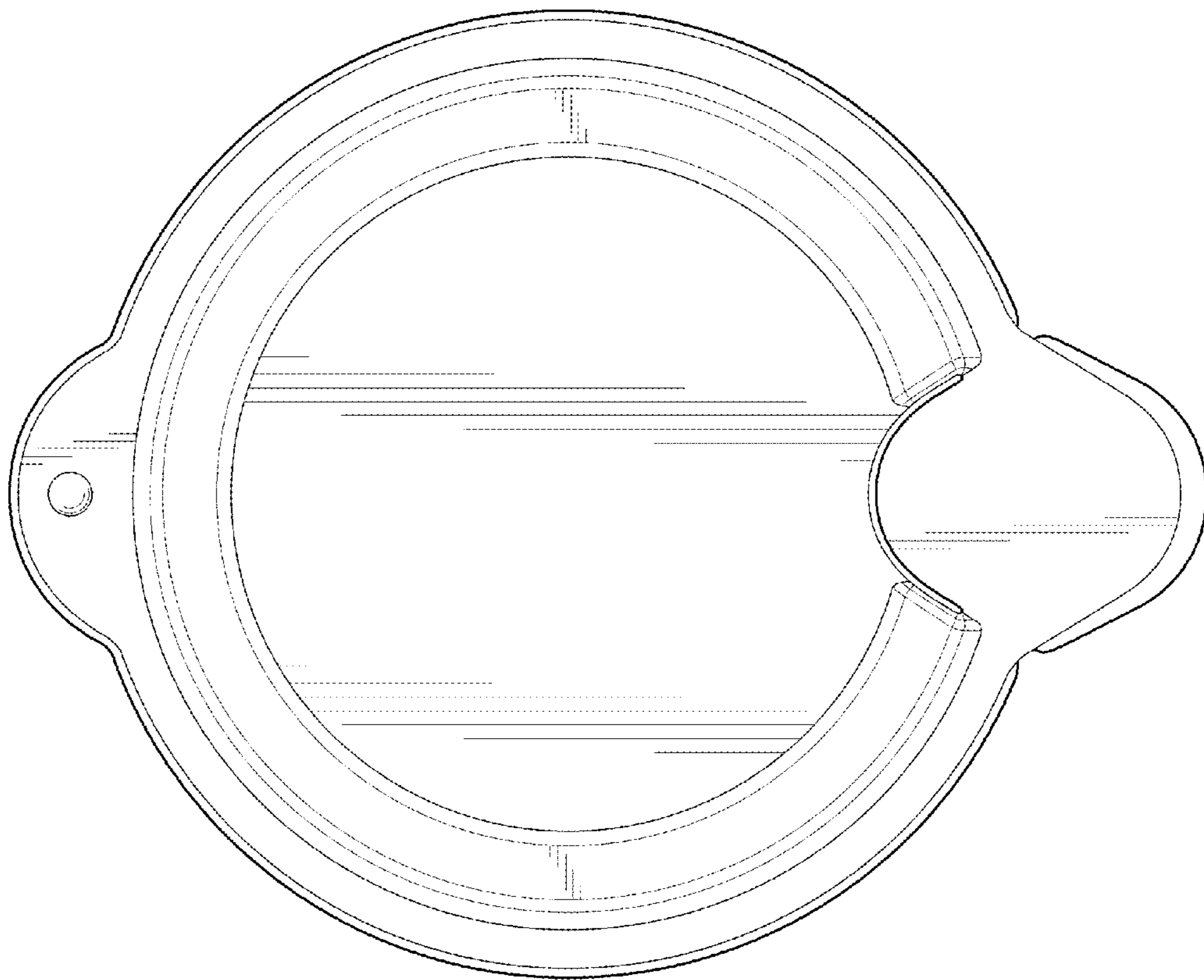


FIG. 3

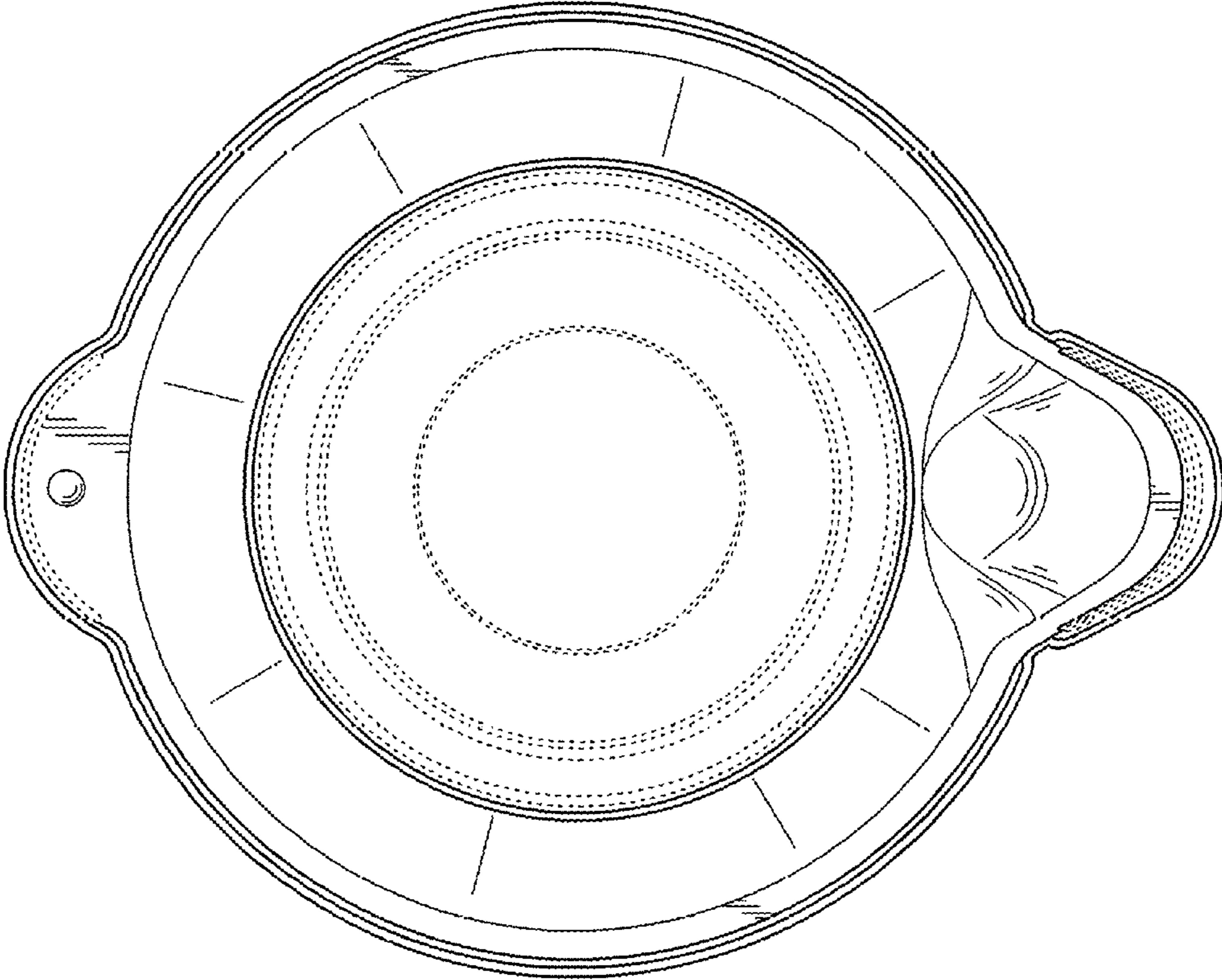


FIG. 4

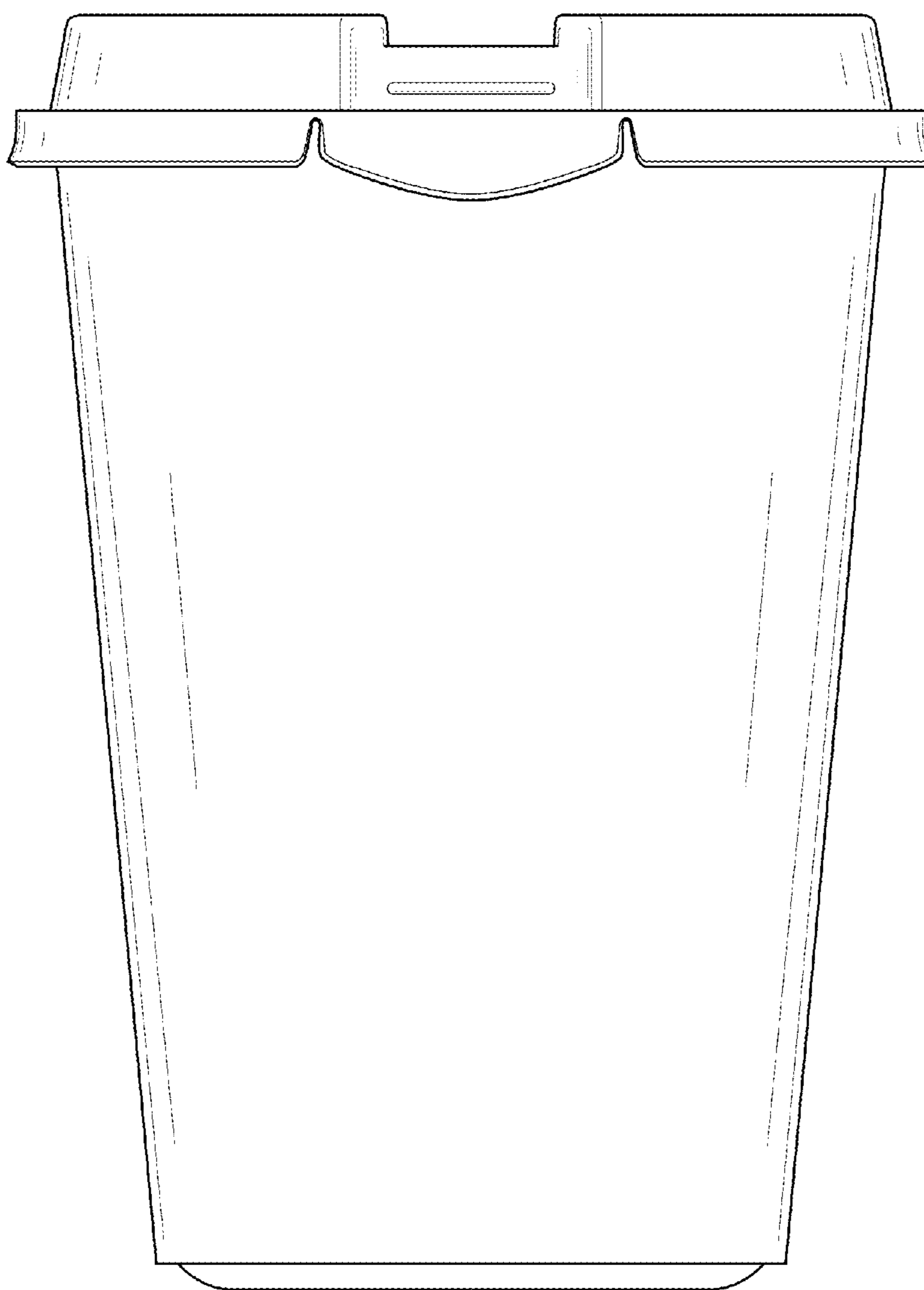


FIG. 5

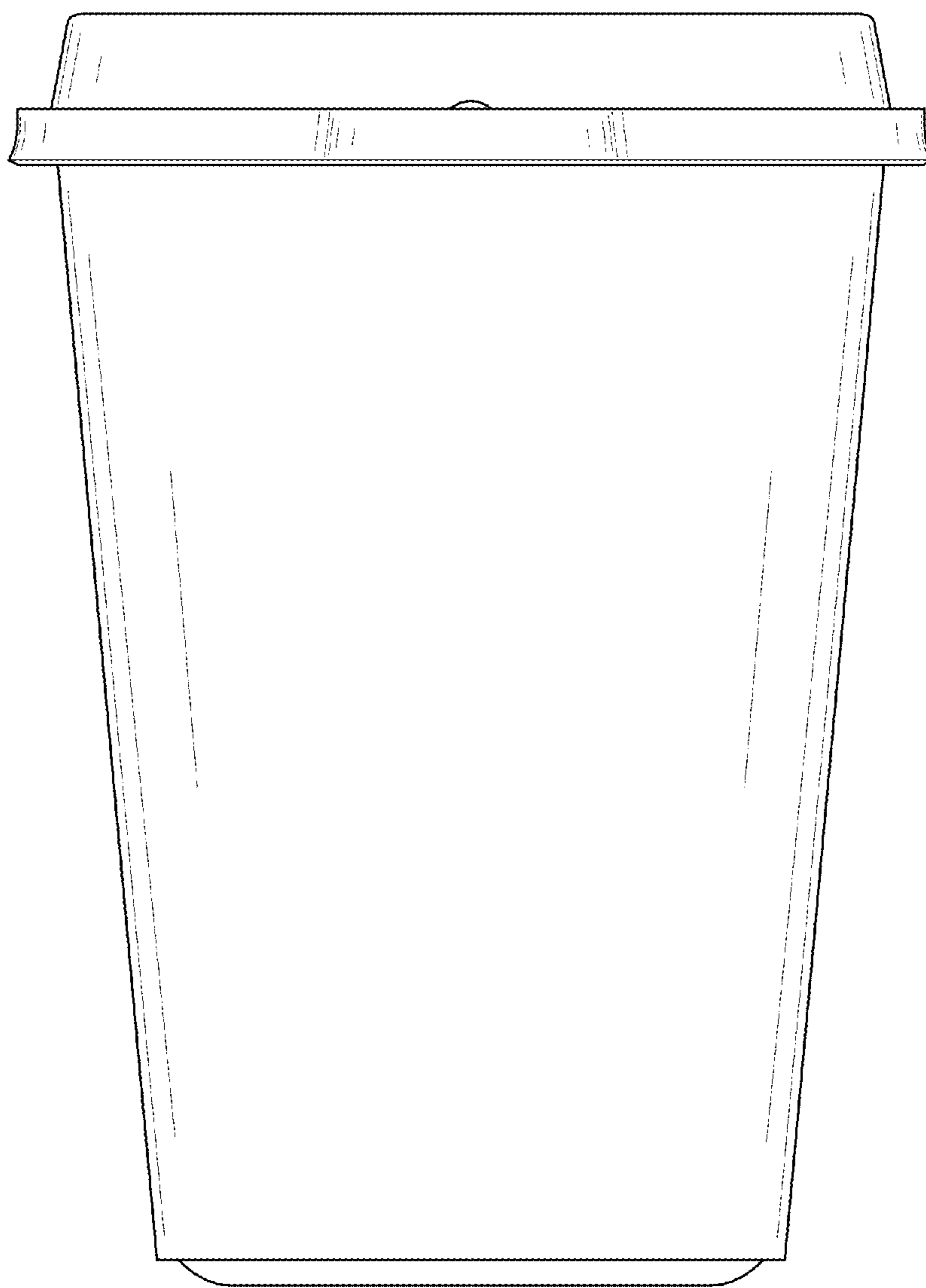


FIG. 6