



US00D763038S

(12) **United States Design Patent**
Whitcomb

(10) **Patent No.:** **US D763,038 S**
(45) **Date of Patent:** **** Aug. 9, 2016**

- (54) **KETTLE GRILL HINGE ASSEMBLY**
- (71) Applicant: **Jason Whitcomb**, Winter Haven, FL (US)
- (72) Inventor: **Jason Whitcomb**, Winter Haven, FL (US)
- (**) Term: **14 Years**
- (21) Appl. No.: **29/515,030**
- (22) Filed: **Jan. 20, 2015**
- (51) **LOC (10) Cl.** **07-02**
- (52) **U.S. Cl.**
USPC **D7/409**
- (58) **Field of Classification Search**
USPC D7/323, 332–337, 354–355, 359–364, D7/387–388, 402, 407–409
CPC A21B 2/00; A21B 3/00; A21B 3/13; A21B 3/15; A21B 5/00; A21B 5/02; A23N 12/06; A23N 12/08; A23N 12/10; A45C 13/005; A47J 36/12; A47J 37/00; A47J 37/04; A47J 37/041; A47J 37/042; A47J 37/06; A47J 37/0688; A47J 37/0694; A47J 37/07; A47J 37/0704; A47J 37/0754; A47J 37/10; A47J 47/20; A47J 2037/00; A47J 2037/06; A47J 2037/0611; A47J 2037/07; A47J 2037/0786; A47J 2037/0795; B60J 5/0472; E05D 3/02; E05D 3/022; E05D 3/10; E05D 3/127; E05D 3/147; F16J 13/18; F24C 15/10; F24C 15/12; F24C 15/14; F24C 15/16; F24C 15/164; F24C 15/18
See application file for complete search history.

- 6,629,337 B2 * 10/2003 Nania E05D 3/127 16/334
- 6,701,577 B1 * 3/2004 Yeh A47J 36/12 126/194
- 6,845,547 B2 * 1/2005 Ham B60J 5/0472 16/239
- 7,784,155 B2 * 8/2010 Hoffman E05D 3/10 16/367
- D623,003 S * 9/2010 Chung D7/334
- 8,353,279 B2 * 1/2013 Jackovitch A47J 37/0754 126/1 R
- D717,095 S * 11/2014 Chung D7/334
- 9,038,244 B2 * 5/2015 Tonelli A45C 13/005 16/382

* cited by examiner

Primary Examiner — Ricky Pham
(74) *Attorney, Agent, or Firm* — The Law Offices of Jerry D. Haynes

(57) **CLAIM**
The ornamental design for a kettle grill hinge assembly, as shown and described.

DESCRIPTION

FIG. 1 depicts a perspective view of a kettle grill hinge assembly attached to a kettle grill in accordance with an exemplary embodiment of the present invention.

FIG. 2 depicts an enlarged view of a kettle grill hinge assembly in accordance with an exemplary embodiment of the present invention.

FIG. 3 depicts a side view of a kettle grill hinge assembly attached to a kettle grill in accordance with an exemplary embodiment of the present invention.

FIG. 4 depicts a backside view of a kettle grill hinge assembly attached to a kettle grill in accordance with an exemplary embodiment of the present invention; and,

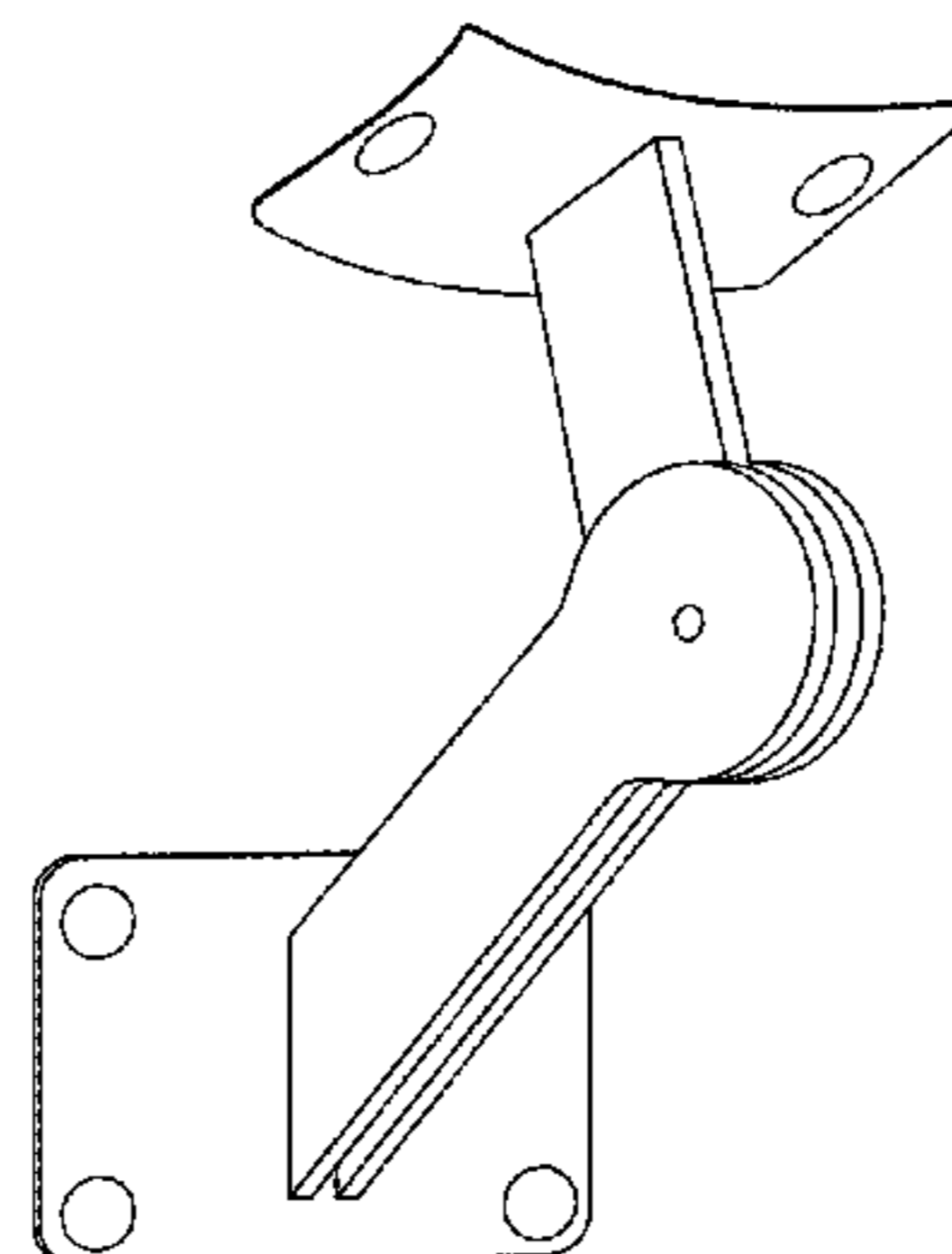
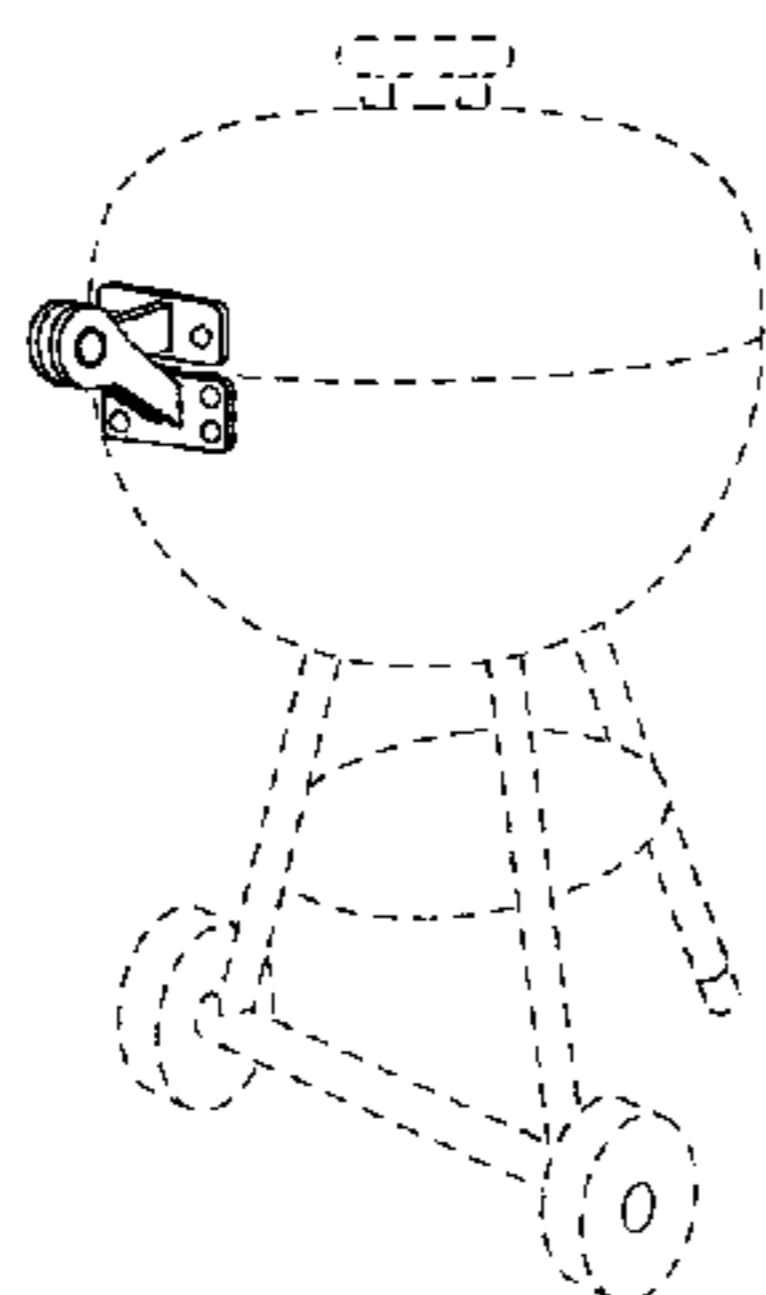
FIG. 5 depicts a front view of a kettle grill hinge assembly attached to a kettle grill in accordance with an exemplary embodiment of the present invention.

The broken lines shown in the drawings are for illustrative purposes only and form no part of the claimed design.

1 Claim, 3 Drawing Sheets

(56) **References Cited**
U.S. PATENT DOCUMENTS

- 1,837,232 A * 12/1931 Reinhardt E05D 3/022 126/194
- 2,114,644 A * 4/1938 Bennett E05D 3/02 126/194
- 4,649,599 A * 3/1987 Beller A47J 36/12 16/319
- 4,655,365 A * 4/1987 Miller F16J 13/18 105/377.07
- 6,052,870 A * 4/2000 Hagenlocher E05D 3/147 16/343



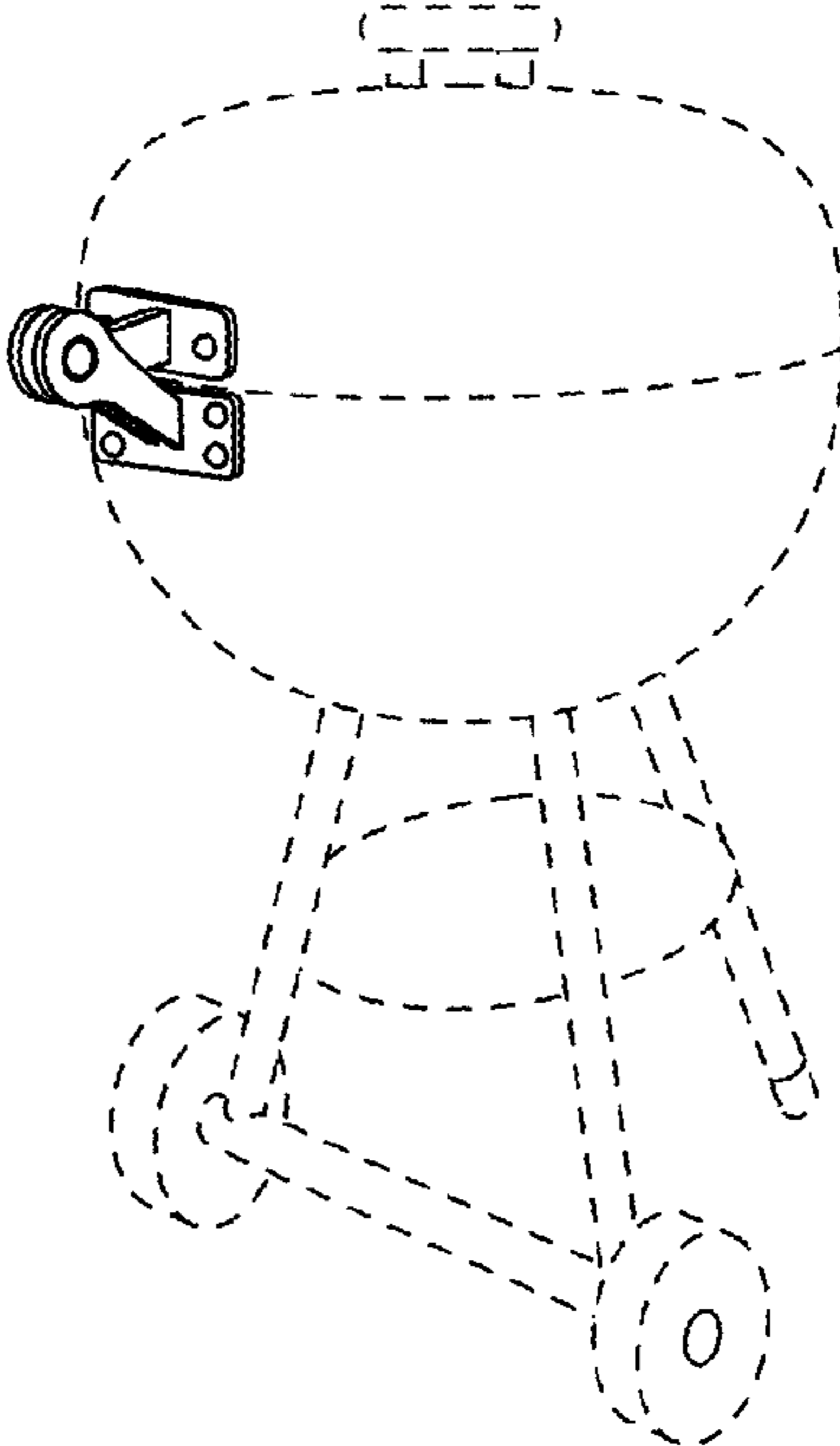


FIG. 1

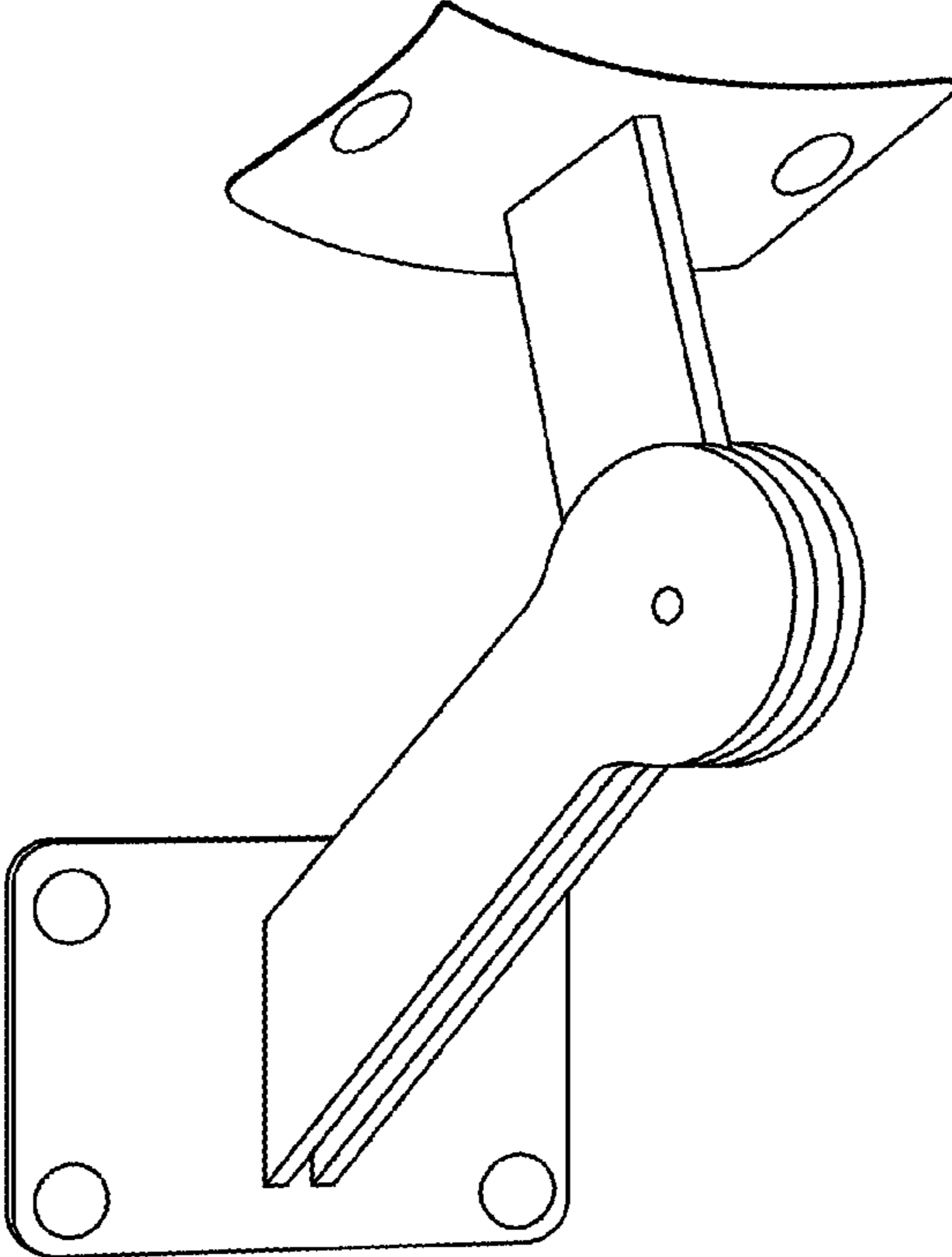


FIG. 2

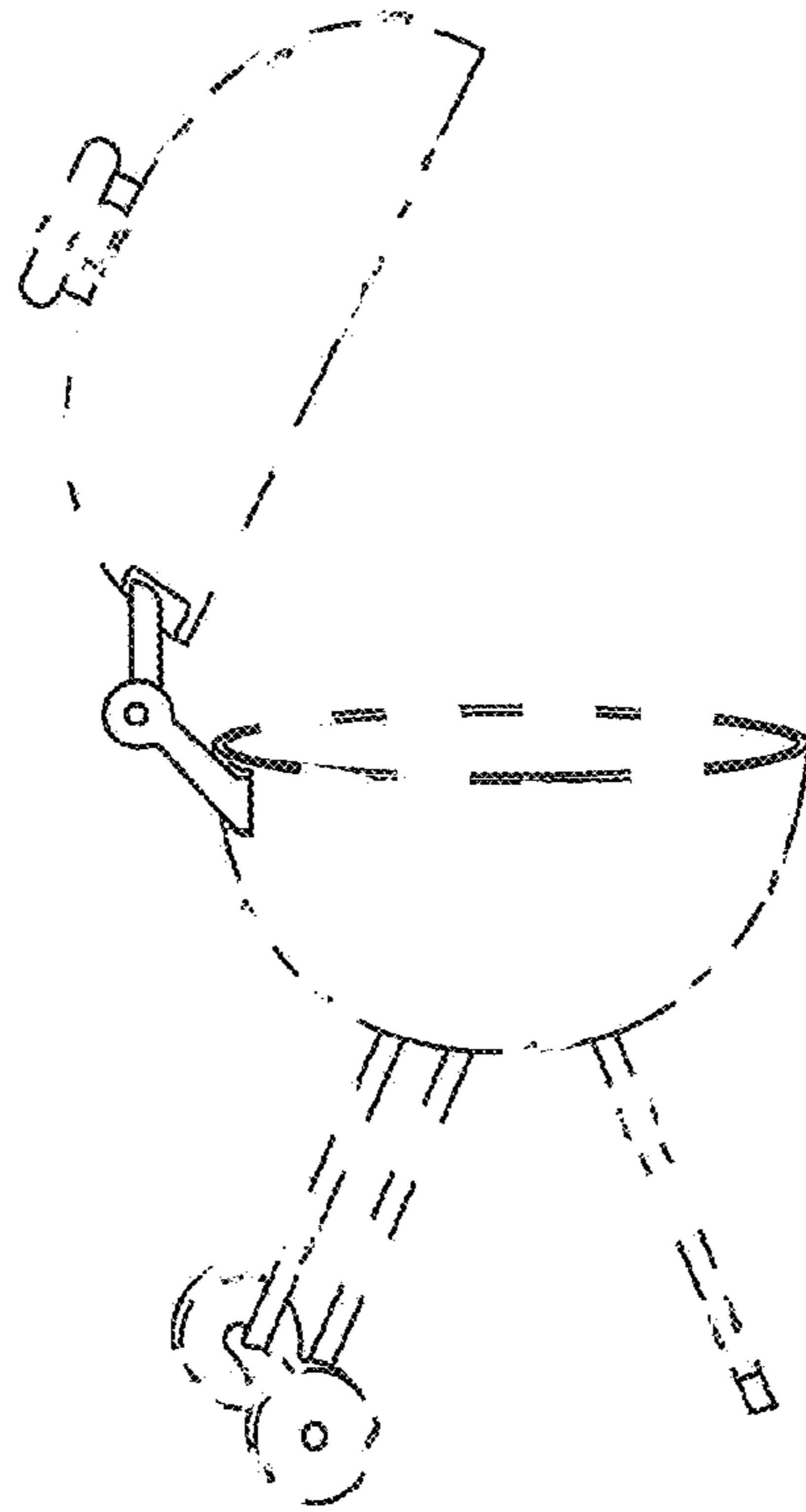


FIG. 3

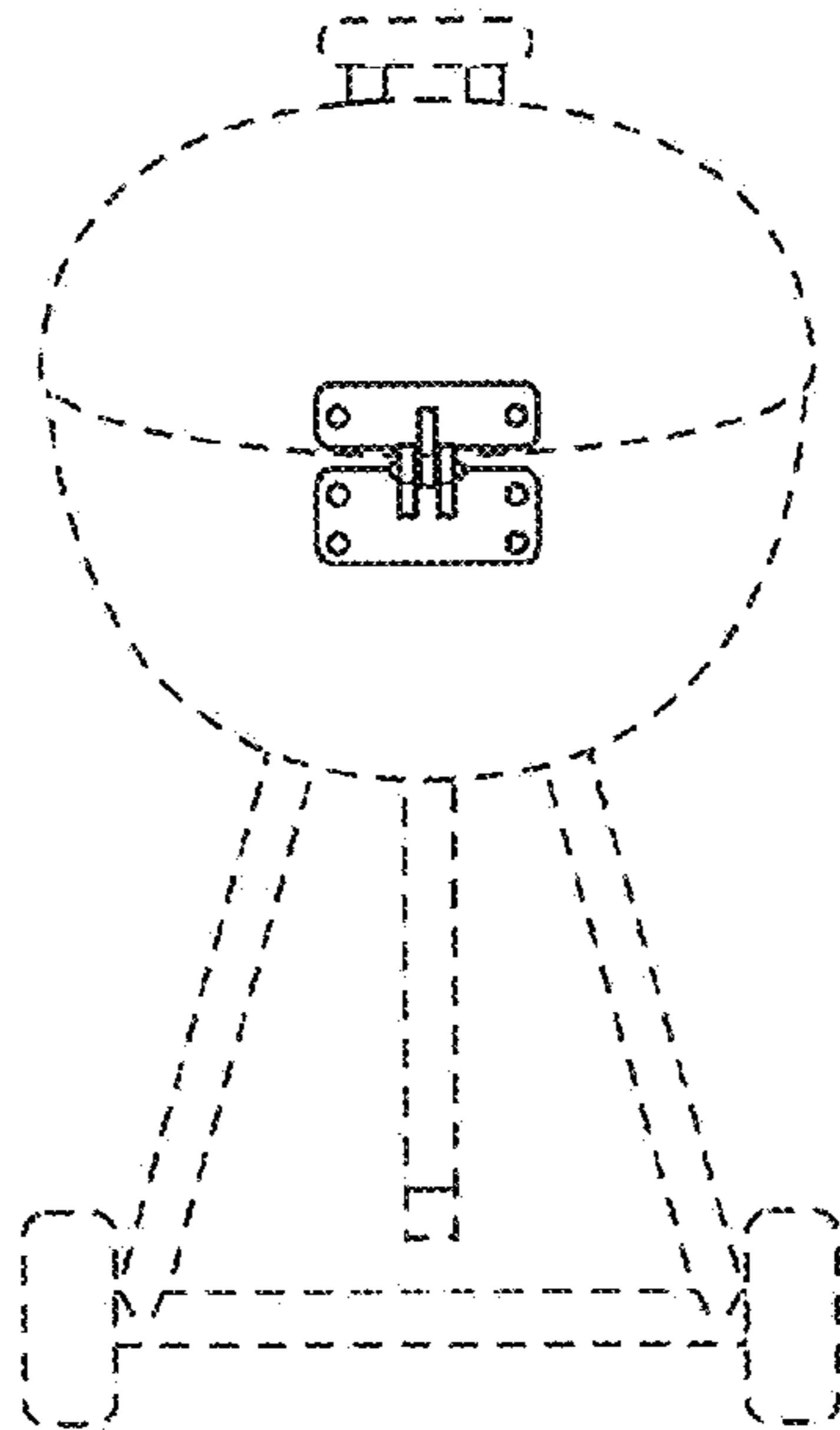


FIG. 4

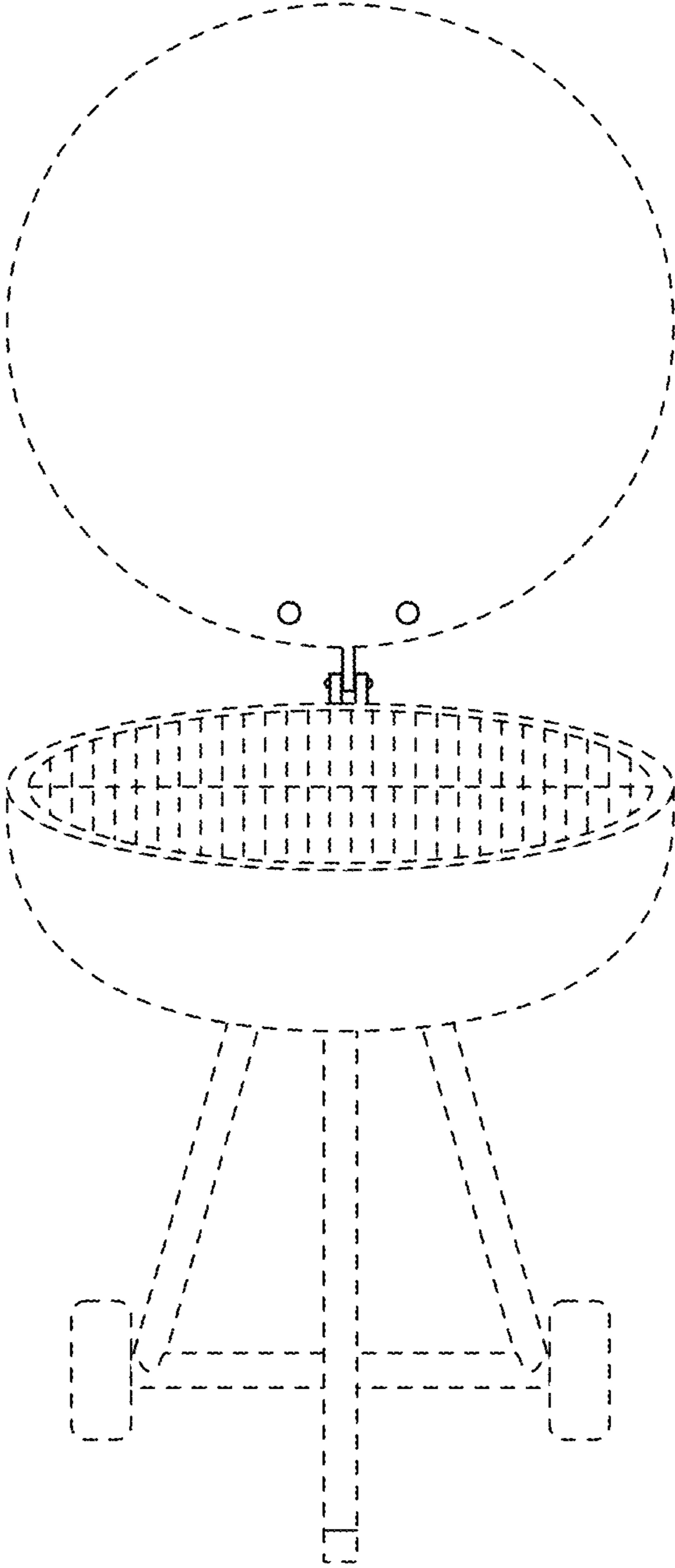


FIG. 5