



US00D763036S

(12) **United States Design Patent**
Smart

(10) **Patent No.:** **US D763,036 S**

(45) **Date of Patent:** **** Aug. 9, 2016**

(54) **RICE COOKER LID**

(71) Applicant: **Gordon Smart**, Bristol (GB)

(72) Inventor: **Gordon Smart**, Bristol (GB)

(73) Assignee: **INNOVATION ASSETS LIMITED**
(GB)

(**) Term: **14 Years**

(21) Appl. No.: **29/519,355**

(22) Filed: **Mar. 4, 2015**

(30) **Foreign Application Priority Data**

Mar. 4, 2015 (EM) 002645804

(51) **LOC (10) Cl.** **07-02**

(52) **U.S. Cl.**
USPC **D7/391; D7/354; D7/356; D7/361**

(58) **Field of Classification Search**
USPC D7/323, 354–363, 391, 393–396, 545,
D7/667, 669
CPC A47G 19/12; A47G 27/00; A47G 27/002;
A47G 27/08; A47G 27/12; A47G 27/21;
A47G 27/58; A47G 36/025; A47G 36/06;
A47G 36/12; A47G 37/00; A47G 37/10;
A47G 37/101; A47G 37/103; A47G 37/12;
A47G 37/1204; A47G 45/061; A47G 45/071;
A47G 45/08; H05B 6/12

See application file for complete search history.

(56) **References Cited**

U.S. PATENT DOCUMENTS

D335,795 S *	5/1993	Conti	D7/359
D338,132 S *	8/1993	Chang	D7/354
D359,202 S *	6/1995	Cousins	D7/667
6,035,766 A *	3/2000	Schirmer	A47J 27/12 126/369
D526,541 S *	8/2006	Repp	D7/667
D581,747 S *	12/2008	Repp	D7/667
D603,211 S *	11/2009	Ek	D7/354
D677,515 S *	3/2013	Cloutier	D7/354
D708,916 S *	7/2014	Lee	D7/667
D727,091 S *	4/2015	Mok	D7/391

* cited by examiner

Primary Examiner — Ricky Pham

(74) *Attorney, Agent, or Firm* — Gardner Groff Greenwald & Villanueva, PC

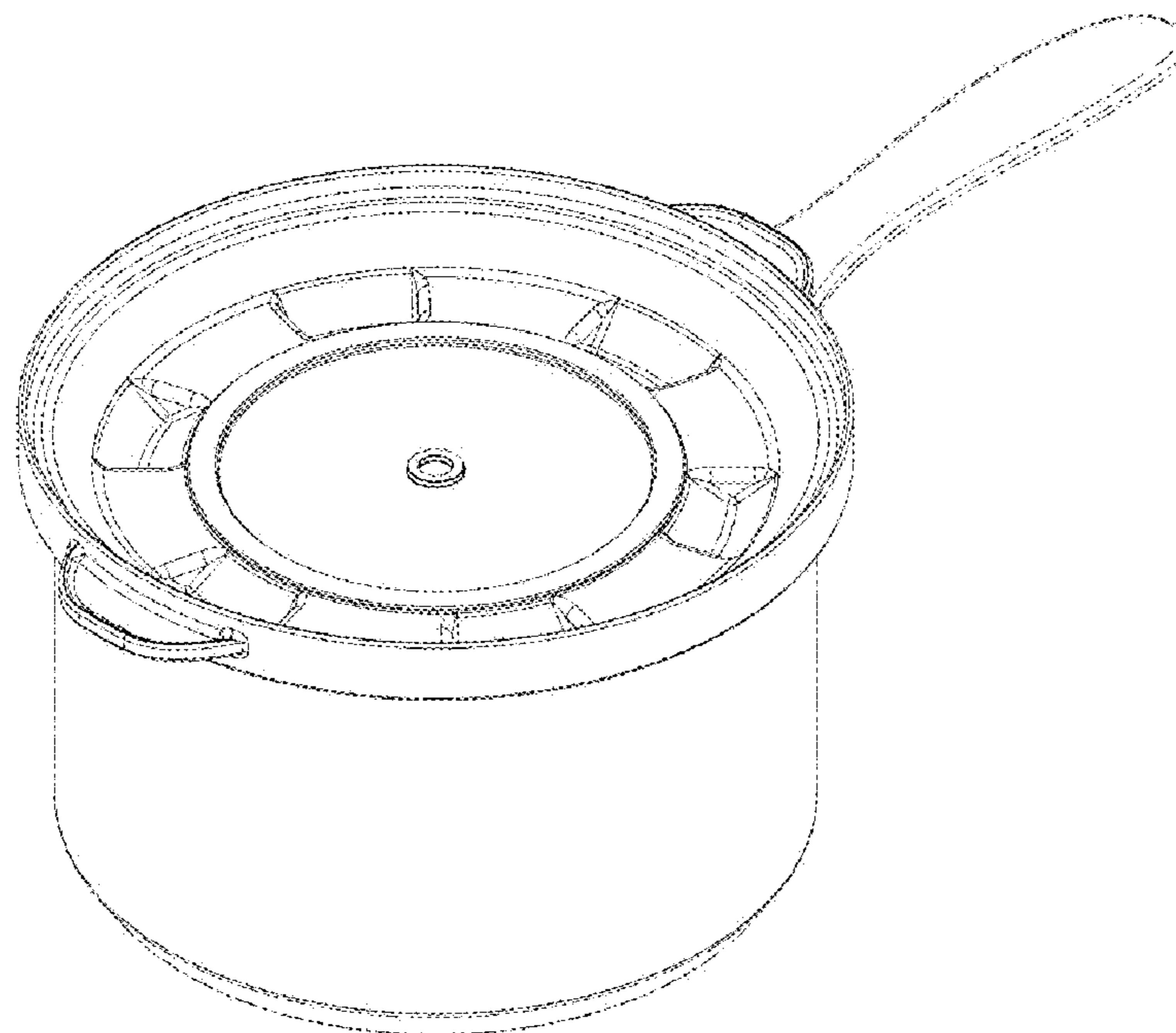
(57) **CLAIM**

The ornamental design for a rice cooker lid, substantially as shown and described.

DESCRIPTION

FIG. 1 is a perspective view of a rice cooker lid according to the design, with example environmental features with which the design may be used (a pan) shown in broken lines. FIG. 2 is a perspective view of the rice cooker lid of FIG. 1. FIG. 3 is a top view of the rice cooker lid of FIG. 1. FIG. 4 is a bottom view of the rice cooker lid of FIG. 1. FIG. 5 is a front view of the rice cooker lid of FIG. 1. FIG. 6 is a rear view of the rice cooker lid of FIG. 1. FIG. 7 is a left side view of the rice cooker lid of FIG. 1; and, FIG. 8 is a right side view of the rice cooker lid of FIG. 1. Portions shown in broken lines are for illustrative purposes only and form no part of the claimed design.

1 Claim, 8 Drawing Sheets



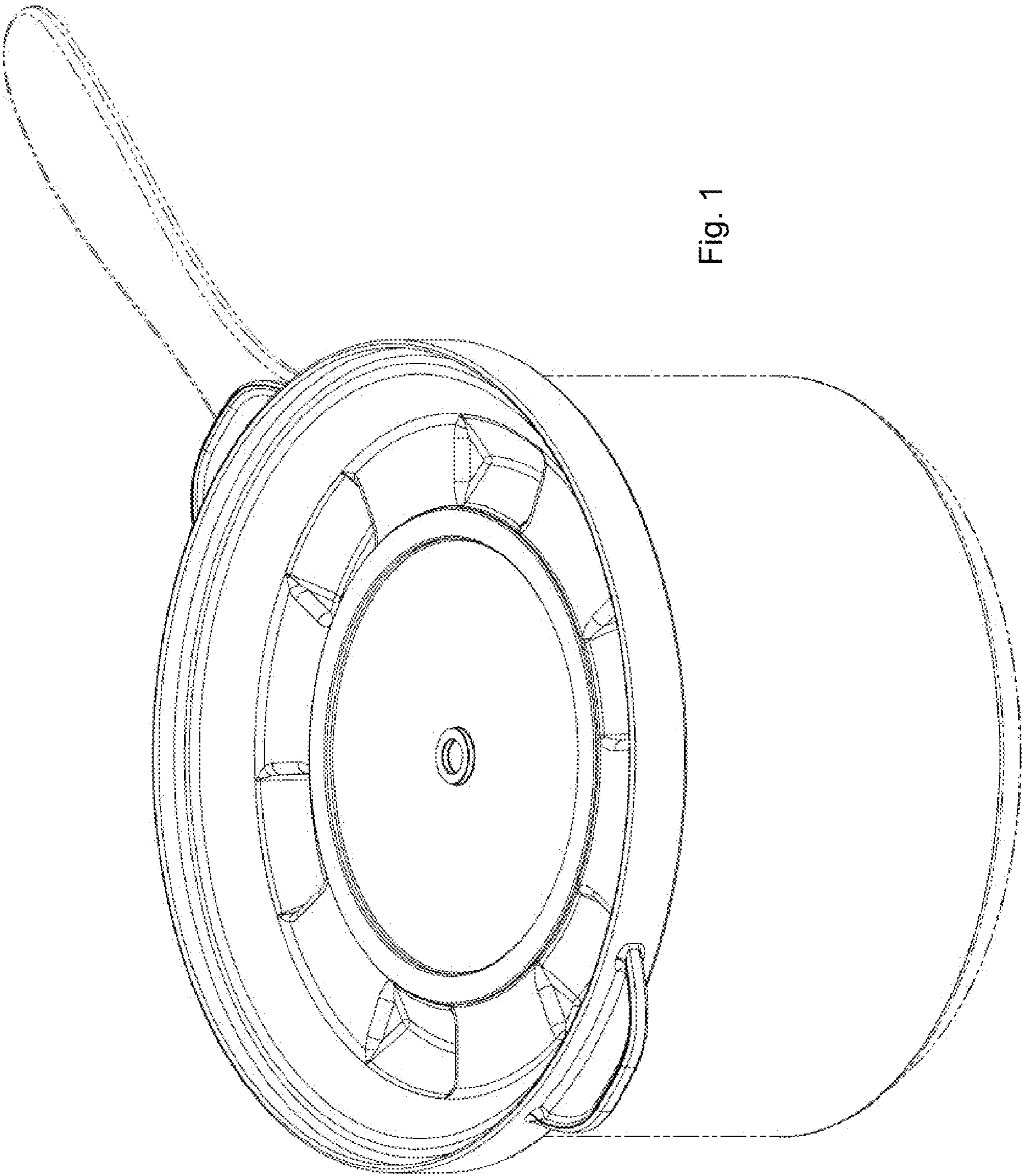


Fig. 1

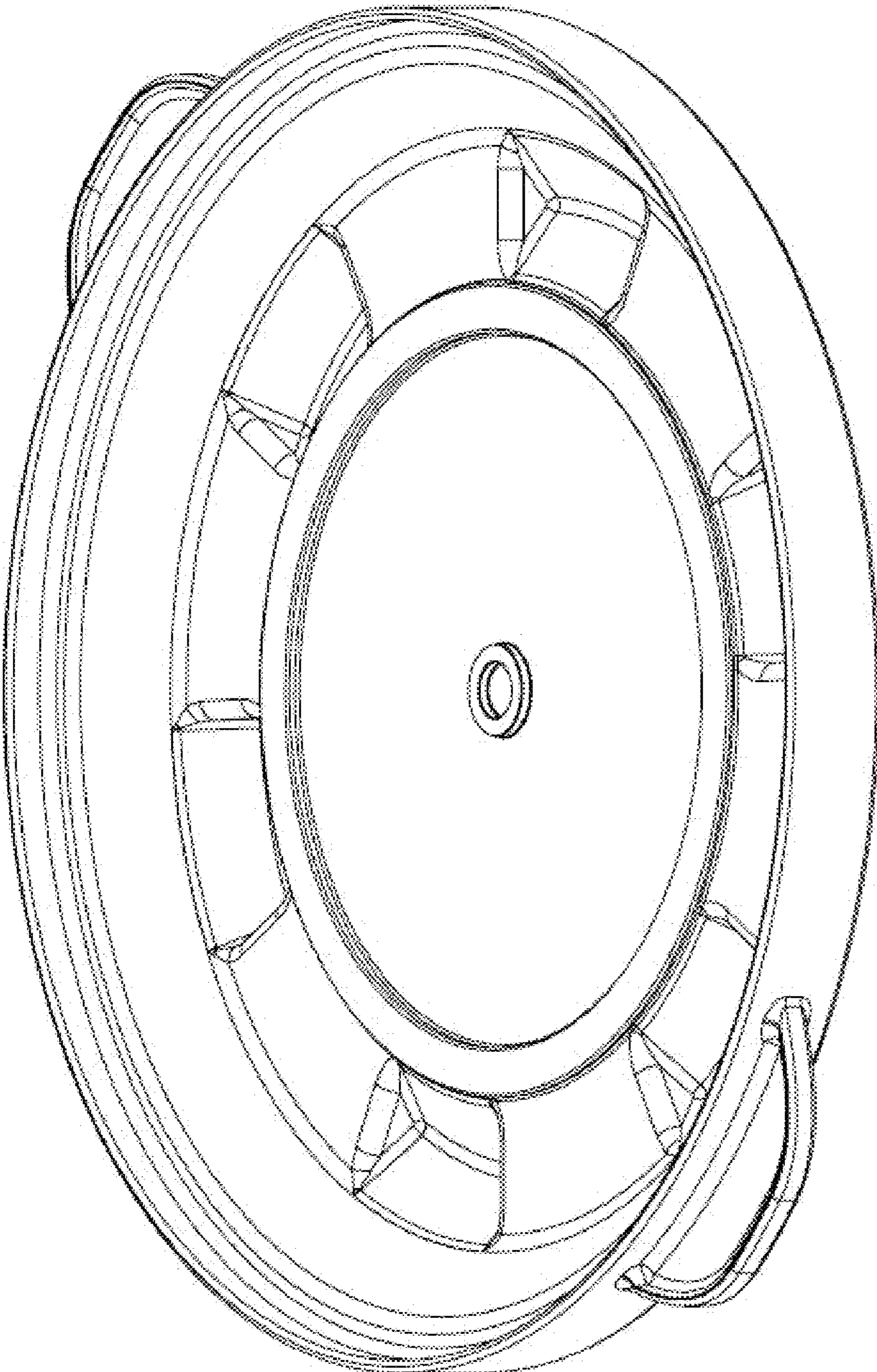


Fig. 2

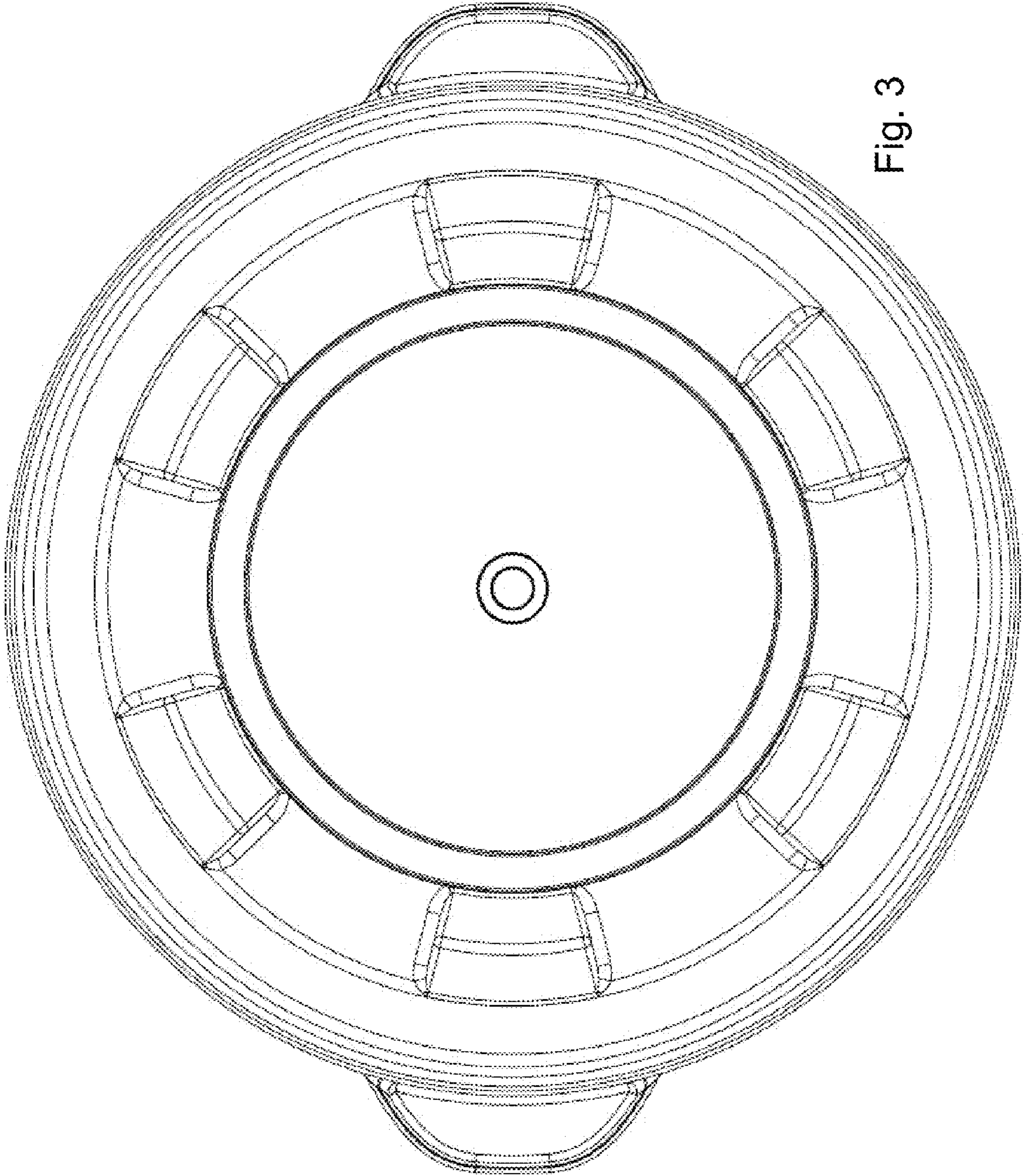


Fig. 3

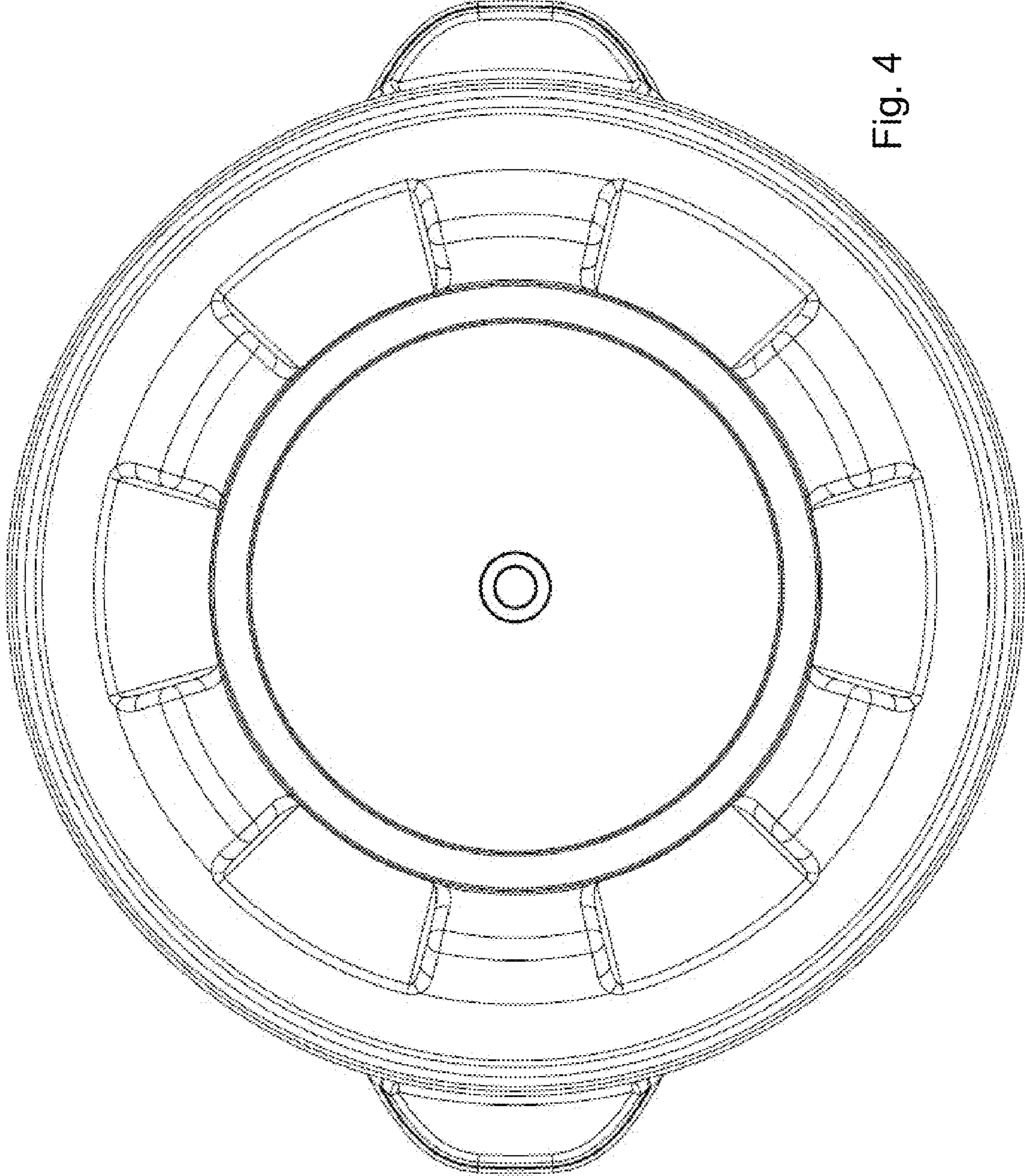


Fig. 4

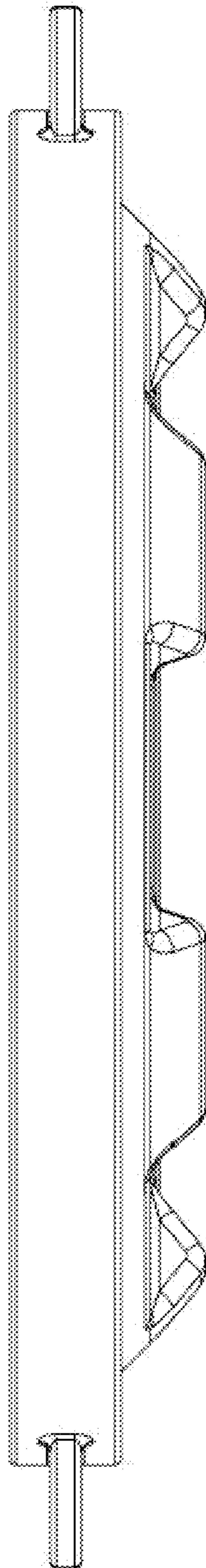


Fig. 5

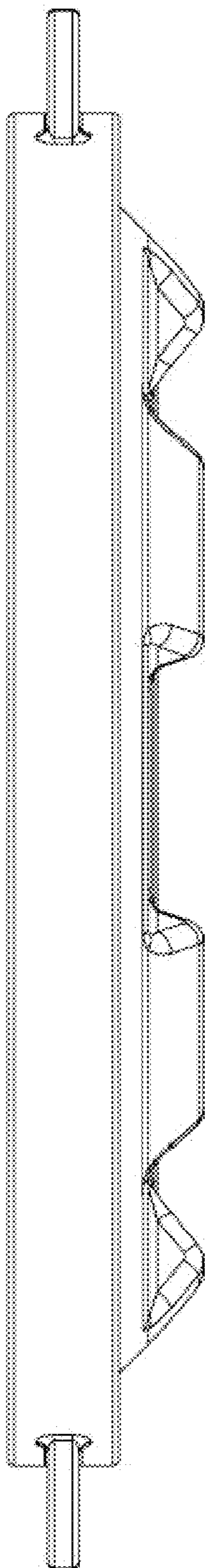


Fig. 6

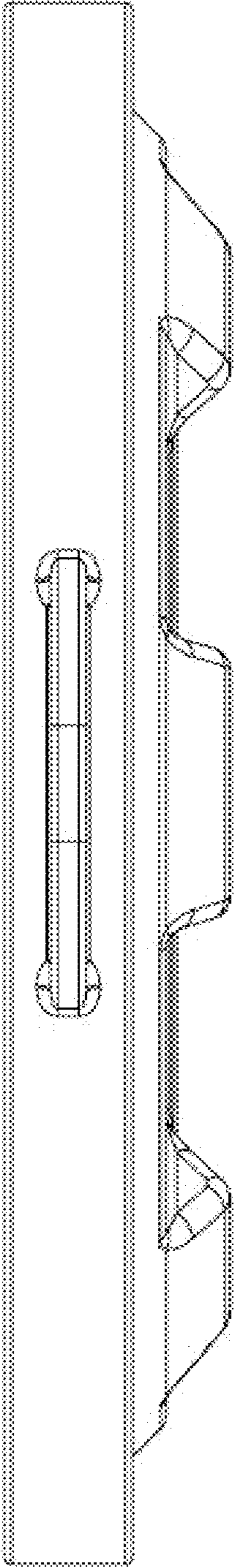


Fig. 7

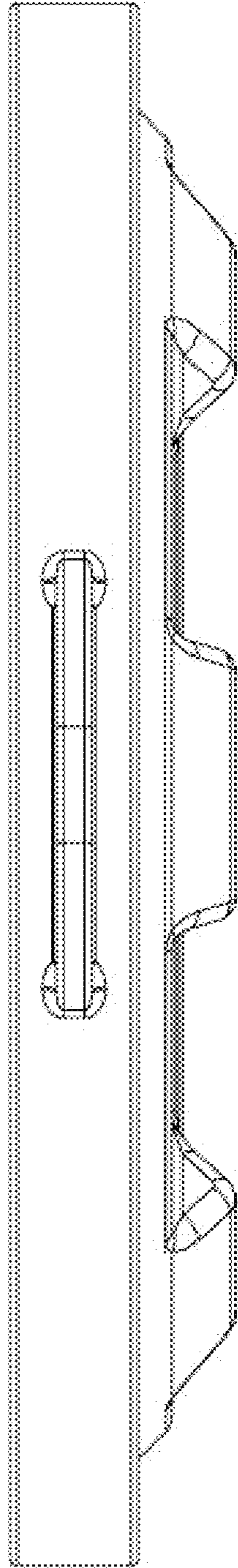


Fig. 8