



US00D763035S

(12) **United States Design Patent**
Hume

(10) **Patent No.:** **US D763,035 S**
(45) **Date of Patent:** **** Aug. 9, 2016**

(54) **BAR TOOL**

- (71) Applicant: **True Fabrications, Inc.**, Seattle, WA (US)
- (72) Inventor: **Ryan William Hume**, Seattle, WA (US)
- (73) Assignee: **TRUE FABRICATIONS, INC.**, Seattle, WA (US)
- (**) Term: **14 Years**
- (21) Appl. No.: **29/515,301**
- (22) Filed: **Jan. 21, 2015**
- (51) **LOC (10) Cl.** **31-00**
- (52) **U.S. Cl.**
USPC **D7/372; D7/412**
- (58) **Field of Classification Search**
USPC D7/300.2, 372, 376–386, 412–413, 602, D7/629, 665–666, 669, 679, 682–683, D7/693–694; D32/35
CPC A21C 1/02; A21C 1/04; A22C 7/00; A23L 2/56; A23N 1/00; A23N 1/02; A47J 43/04; A47J 43/25; A47J 43/27; A47J 43/042; A47J 43/044; A47J 43/046; A47J 43/0705; A47J 43/075; A47J 43/0716; A47J 43/0722; A47J 43/0727; B01F 3/00; B01F 3/0807; B01F 3/0853; B01F 13/0059; B01F 13/0064; B02C 1/08; B02C 2/04; B02C 4/42; B02C 4/142; B02C 4/143; B02C 4/423; B02C 13/1835; B28C 5/10; B28C 5/12; B28C 5/14; B28C 5/16

See application file for complete search history.

(56) **References Cited**

U.S. PATENT DOCUMENTS

3,107,711	A *	10/1963	Azmus	A22C 7/00 100/295
D269,471	S *	6/1983	Auerbach	D32/35
D383,643	S *	9/1997	Mendenhall	D7/412
D529,757	S *	10/2006	Gallagher	D7/376
D623,485	S *	9/2010	Silvers	D7/683
8,172,454	B2 *	5/2012	Choi	A47J 43/0716 366/147
D666,056	S *	8/2012	Boozer	D7/376
D699,064	S *	2/2014	Katterheinrich	D7/300.2
D720,967	S *	1/2015	Melzer	D7/669
2008/0198693	A1 *	8/2008	Lameiro Vilarino	A47J 43/0705 366/286
2015/0208853	A1 *	7/2015	Melzer	A23L 2/56 426/425

* cited by examiner

Primary Examiner — Ricky Pham

(74) *Attorney, Agent, or Firm* — Vicky Kaur Bajwa

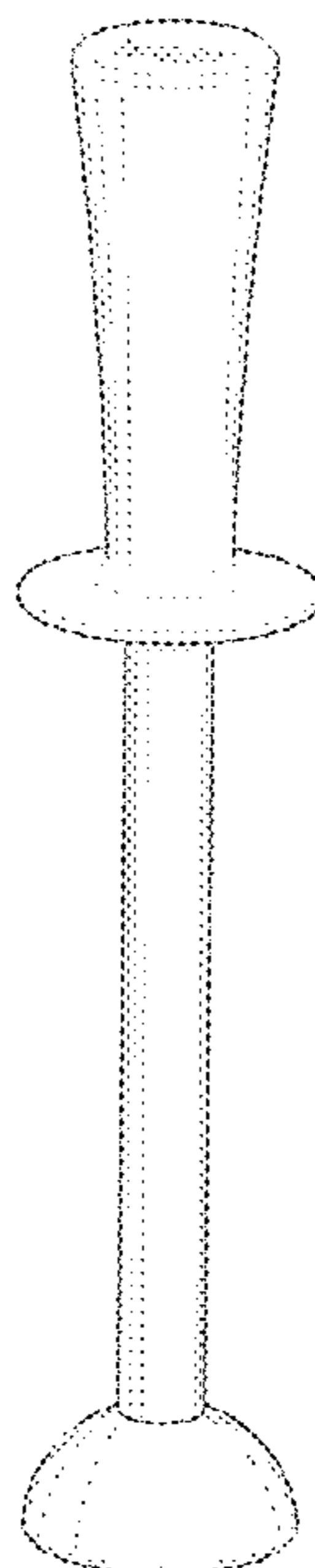
(57) **CLAIM**

The ornamental design for a bar tool, as shown and described.

DESCRIPTION

FIG. 1 is an enlarged perspective view of a bar tool showing my new design;
 FIG. 2 is a top view of the bar tool of FIG. 1;
 FIG. 3 is a front elevation view of the bar tool of FIG. 1, the rear view, left side elevation, and right side elevation being a mirror image; and,
 FIG. 4 is a bottom view of the bar tool of FIG. 1.

1 Claim, 2 Drawing Sheets



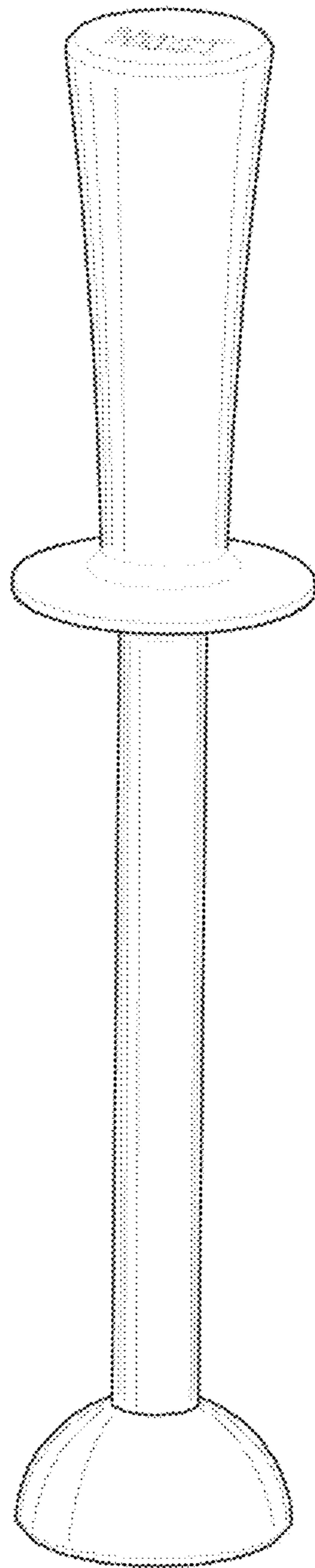


Fig. 1

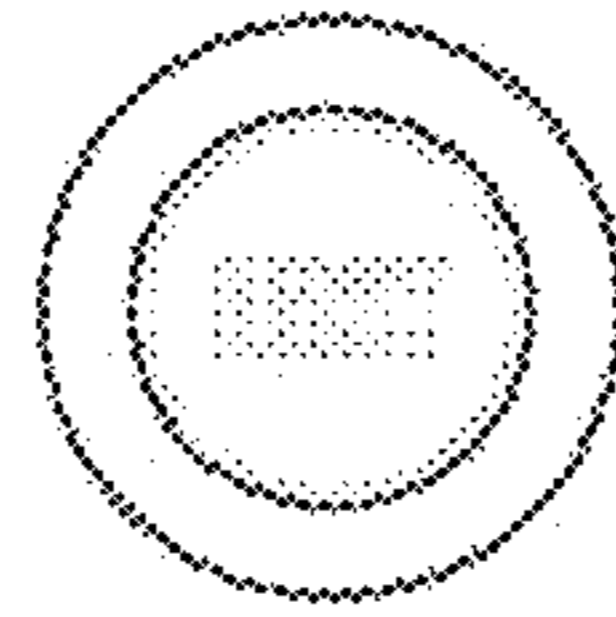


Fig. 2

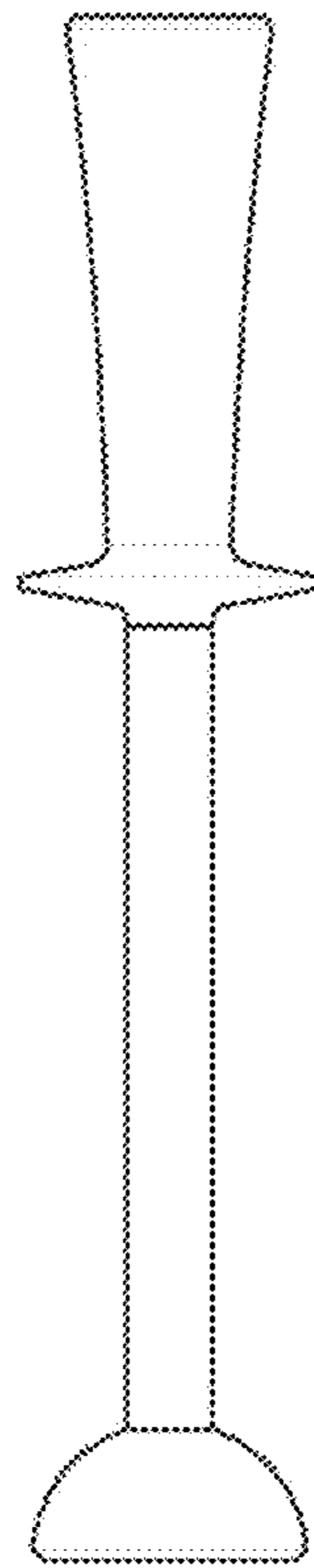


Fig. 3

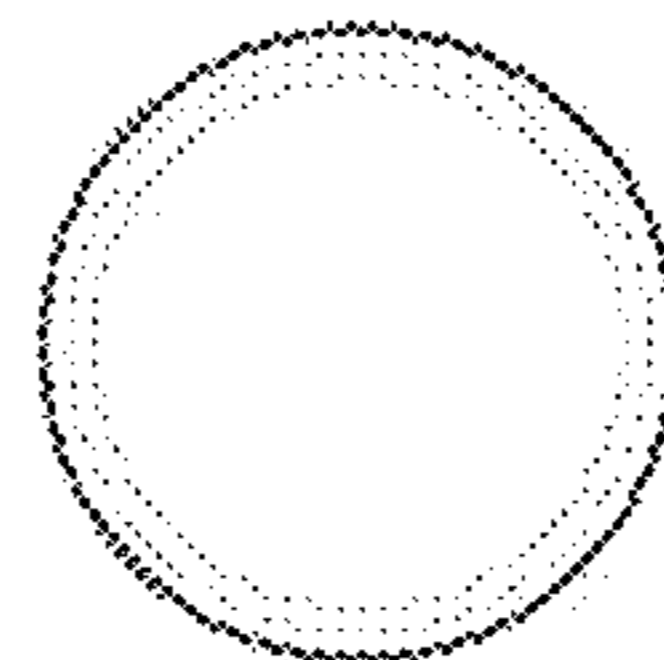


Fig. 4