



US00D763034S

(12) **United States Design Patent**
Berge et al.

(10) **Patent No.:** **US D763,034 S**

(45) **Date of Patent:** **** Aug. 9, 2016**

(54) **SKILLET**

- (71) Applicant: **National Presto Industries, Inc.**, Eau Claire, WI (US)
- (72) Inventors: **Michael R. Berge**, Eau Claire, WI (US);
Justun C. Seymour, Eau Claire, WI (US)
- (73) Assignee: **National Presto Industries, Inc.**, Eau Claire, WI (US)
- (**) Term: **14 Years**

- (21) Appl. No.: **29/520,703**
- (22) Filed: **Mar. 17, 2015**
- (51) **LOC (10) Cl.** **07-02**
- (52) **U.S. Cl.**
USPC **D7/362; D7/354**
- (58) **Field of Classification Search**
USPC D7/323, 354–363, 391, 393–396, 409
CPC A47G 19/12; A47J 27/00; A47J 27/002;
A47J 27/004; A47J 27/08; A47J 27/21;
A47J 27/58; A47J 36/025; A47J 36/06;
A47J 36/12; A47J 37/00; A47J 37/0629;
A47J 37/10; A47J 37/101; A47J 37/103;
A47J 37/12; A47J 37/1204; A47J 45/061;
A47J 45/071; A47J 45/08; H05B 6/12
See application file for complete search history.

(56) **References Cited**

U.S. PATENT DOCUMENTS

- D168,905 S 2/1953 O'Connell
- D190,212 S * 4/1961 Ernest D7/363

(Continued)

OTHER PUBLICATIONS

Presto® SlowCook'nMore Electric Multi-Cooker Product Bulletin,
© 2003 by National Presto Industries, Inc., 2 pages.

(Continued)

Primary Examiner — Ricky Pham

(74) *Attorney, Agent, or Firm* — Patterson Thuenete
Pedersen, P.A.

(57) **CLAIM**

We claim the ornamental design for skillet, as shown and described.

DESCRIPTION

FIG. 1 is a rear view of a skillet according to one embodiment of the invention.

FIG. 2 is a bottom view of the skillet depicted in FIG. 1.

FIG. 3 is a front view of the skillet depicted in FIG. 1.

FIG. 4 is a front, perspective view of the skillet depicted in FIG. 1.

FIG. 5 is a right side view of the skillet depicted in FIG. 1.

FIG. 6 is a left side view of the skillet depicted in FIG. 1.

FIG. 7 is a top view of the skillet depicted in FIG. 1.

FIG. 8 is a rear view of a skillet according to another embodiment of the invention.

FIG. 9 is a bottom view of the skillet depicted in FIG. 8.

FIG. 10 is a front view of the skillet depicted in FIG. 8.

FIG. 11 is a front, perspective view of the skillet depicted in FIG. 8.

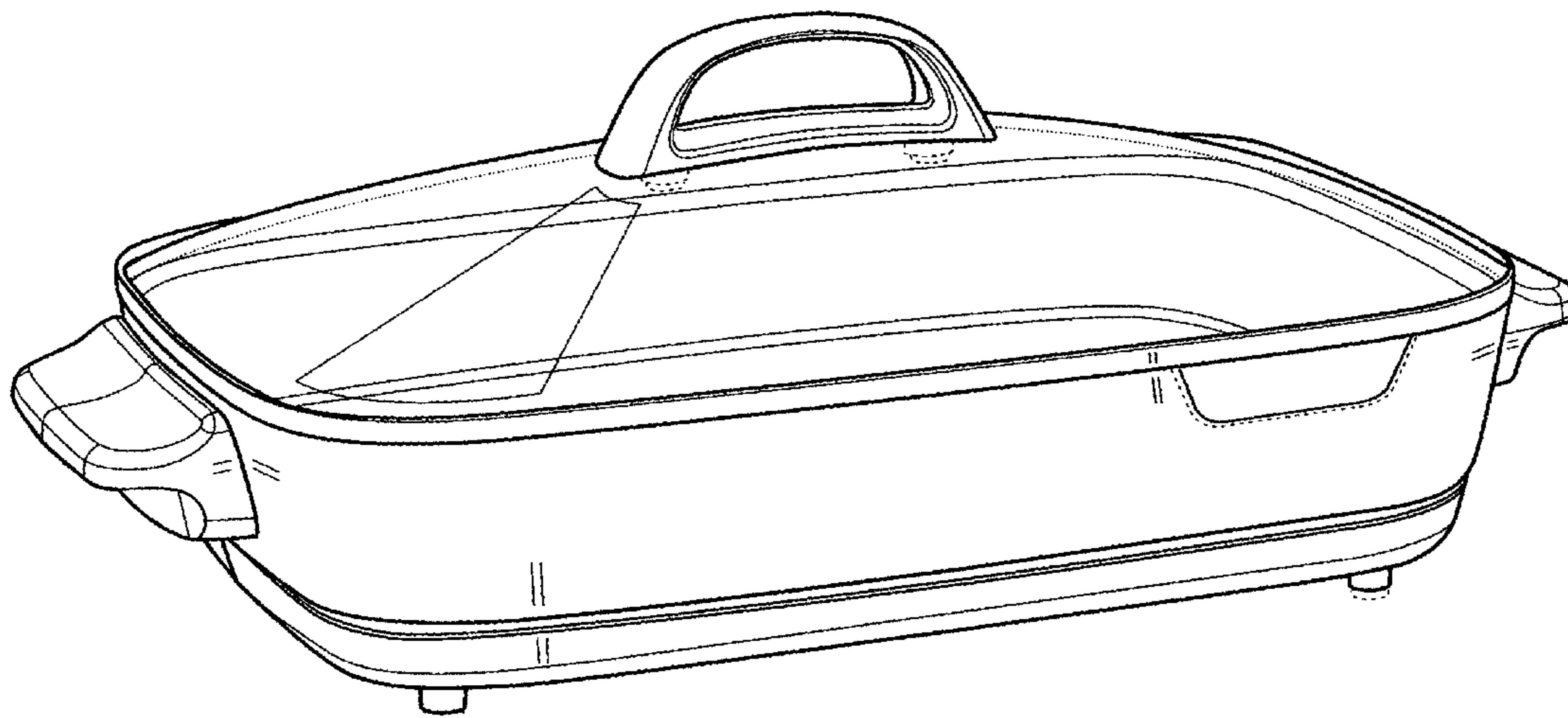
FIG. 12 is a right side view of the skillet depicted in FIG. 8.

FIG. 13 is a left side view of the skillet depicted in FIG. 8; and,

FIG. 14 is a top view of the skillet depicted in FIG. 8.

Items shown in broken lines are for illustrative purposes only and form no part of the claimed invention.

1 Claim, 14 Drawing Sheets



(56)

References Cited

U.S. PATENT DOCUMENTS

3,007,028 A 10/1961 Sorenson
D195,268 S * 5/1963 Reed D7/360
D197,243 S * 12/1963 Ernest D7/360
D199,748 S * 12/1964 De Fano D7/360
D205,150 S * 6/1966 Cornwell D7/360
D207,861 S * 6/1967 Felske D7/360
D241,601 S 9/1976 Cook
4,045,653 A 8/1977 Soper et al.
D250,448 S 12/1978 Boldt et al.
4,270,067 A 5/1981 Thomas et al.
D261,594 S 11/1981 Boldt et al.
D269,320 S * 6/1983 Gremontprez D7/360
D284,257 S 6/1986 Greb et al.
D321,625 S 11/1991 Dobson et al.
D359,652 S 6/1995 Mendelson et al.
5,467,696 A 11/1995 Everhart
D369,272 S 4/1996 Mendelson et al.
5,656,188 A 8/1997 Janowiak et al.
D409,041 S 5/1999 Barker
D414,982 S 10/1999 Hopkins et al.
D430,454 S 9/2000 Garber et al.
D437,182 S 2/2001 Choi
D437,183 S 2/2001 Wong et al.
D442,426 S 5/2001 Garber et al.
D444,342 S 7/2001 Kruepke
D444,666 S 7/2001 Kalina et al.
D444,667 S 7/2001 Wong et al.
D444,994 S 7/2001 Kalina et al.
D451,335 S 12/2001 Rossman
D455,041 S 4/2002 Smith
6,516,709 B1 2/2003 Lin
D473,748 S 4/2003 Cho
D479,432 S 9/2003 Barker
D503,584 S 4/2005 White et al.
D505,045 S 5/2005 Assmann
D514,882 S 2/2006 Marshall et al.
D523,285 S 6/2006 Wells, Sr.
D525,076 S 7/2006 Olsen et al.
D525,479 S 7/2006 Olsen et al.
D532,647 S 11/2006 Wasserman et al.
D542,592 S 5/2007 Lubowicki

7,228,792 B2 6/2007 Crawford et al.
D548,002 S 8/2007 De'Longhi
D591,553 S * 5/2009 Garman D7/363
D614,908 S 5/2010 Berge
D620,744 S * 8/2010 Rose D7/354
D620,746 S 8/2010 Hsiao et al.
D642,423 S 8/2011 Seymour
D643,675 S 8/2011 Seymour
D646,114 S 10/2011 Wong
D658,428 S 5/2012 Seymour
D664,802 S * 8/2012 Upston D7/354
D672,190 S * 12/2012 Upston D7/354
9,060,640 B2 * 6/2015 Barrows A47J 37/0629
2007/0137499 A1 * 6/2007 Leon A47J 27/004
99/422

OTHER PUBLICATIONS

Presto® Electric Skillet and Server Product Bulletin, © 2003 by National Presto Industries, Inc., 2 pages.
Presto® Professional Electric Skillet and Server Product Bulletin, © 2003 by National Presto Industries, Inc., 2 pages.
Presto® 11-inch Electric Skillet User Manual, © 2003 by National Presto Industries, Inc., 4 pages.
Presto® 12-inch Electric Stainless Steel Skillet User Manual, © 2007 by National Presto Industries, Inc. 13 pages.
Presto® 16-inch Electric Skillet User Manual, © 2003 by National Presto Industries, Inc., 4 pages.
Presto® 16-inch Electric Skillet With Glass Cover User Manual, © 2010 by National Presto Industries, Inc., 4 pages.
Presto® 11-inch Electric Skillet With Glass Cover Product Bulletin, © 2012 by National Presto Industries, Inc., 1 page.
Presto® 16-inch Electric Skillet With Glass Cover Product Bulletin, © 2011 by National Presto Industries, Inc., 1 page.
Presto® Electric Skillet User Manual, 4 pages, © 2011 by National Presto Industries, Inc., 4 pages.
Presto® 16-inch Electric Foldaway Product Bulletin, © 2012 by National Presto Industries, Inc., 1 page.
Presto® 12-inch Electric Foldaway Skillet User Manual, © 2013 by National Presto Industries, Inc., 4 pages.

* cited by examiner

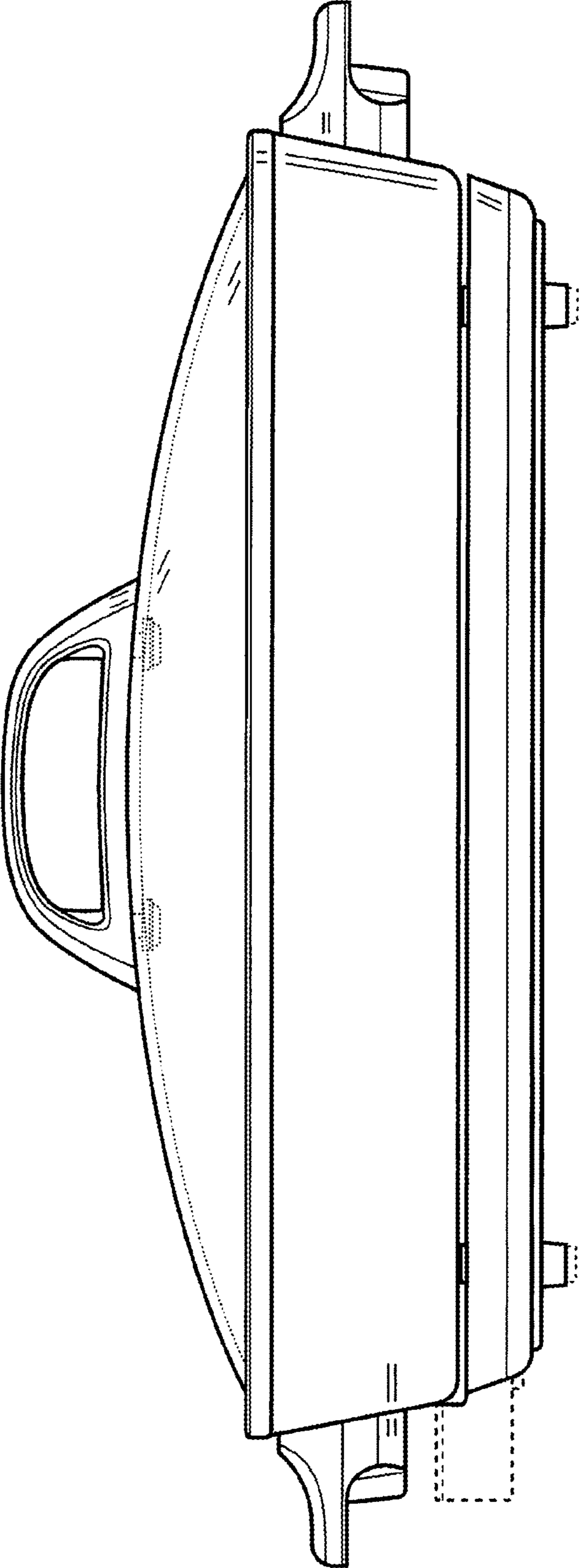


FIG 1

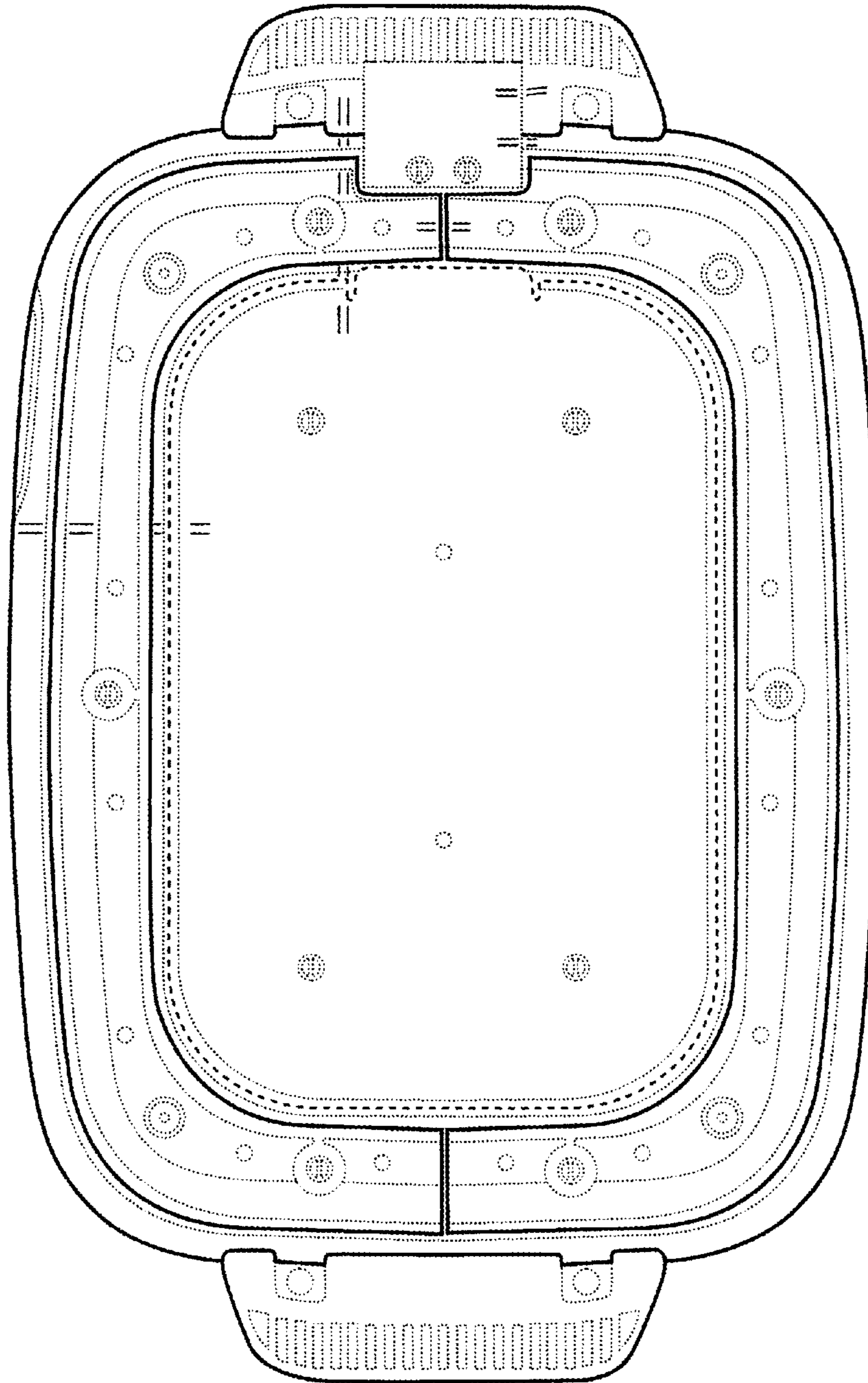


FIG 2

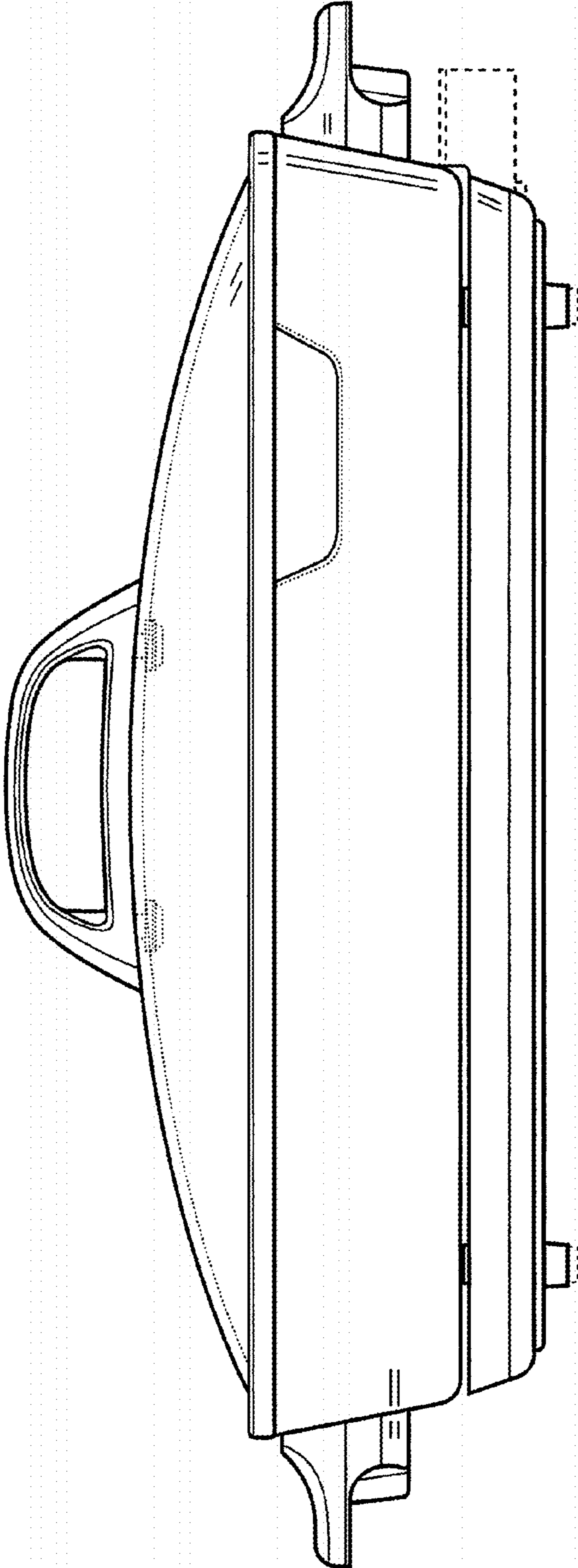


FIG 3

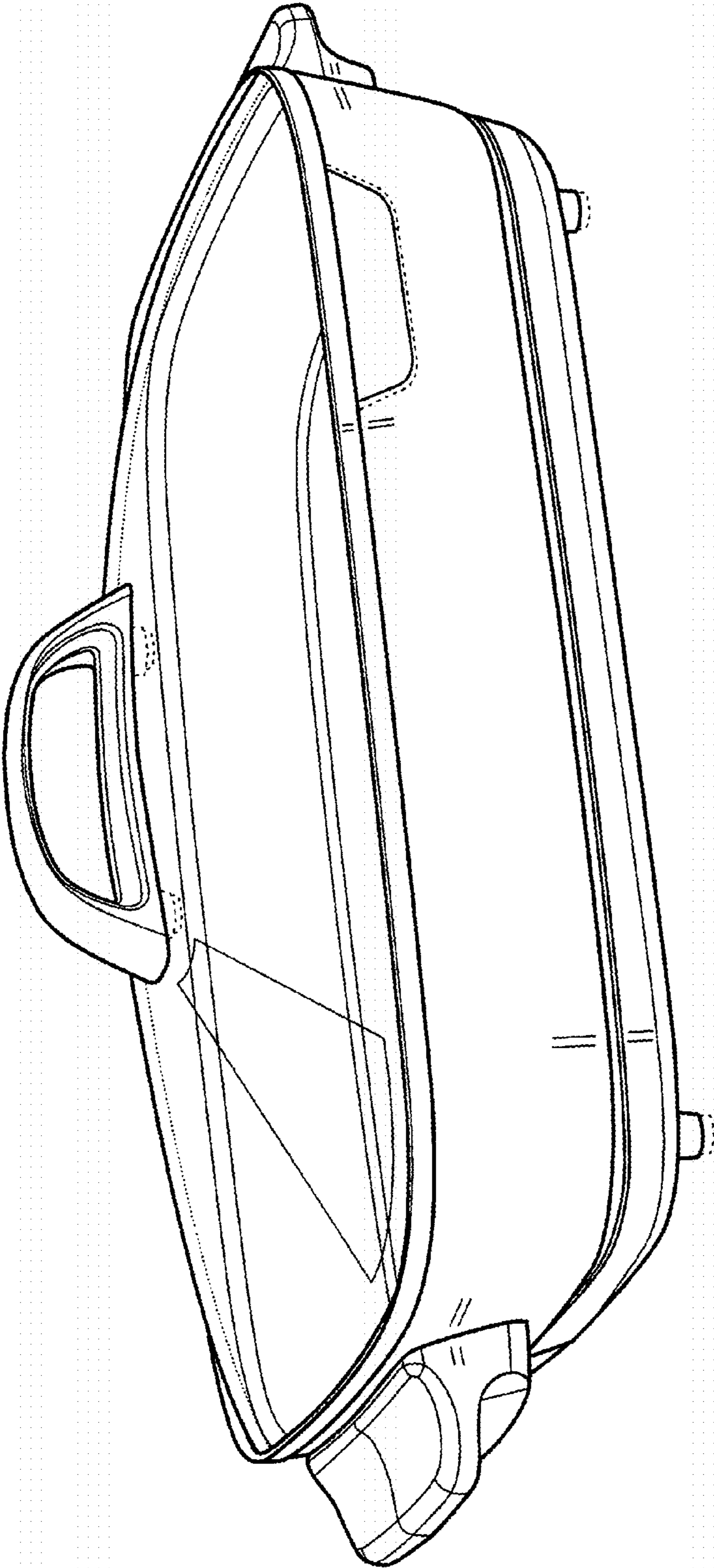


FIG 4

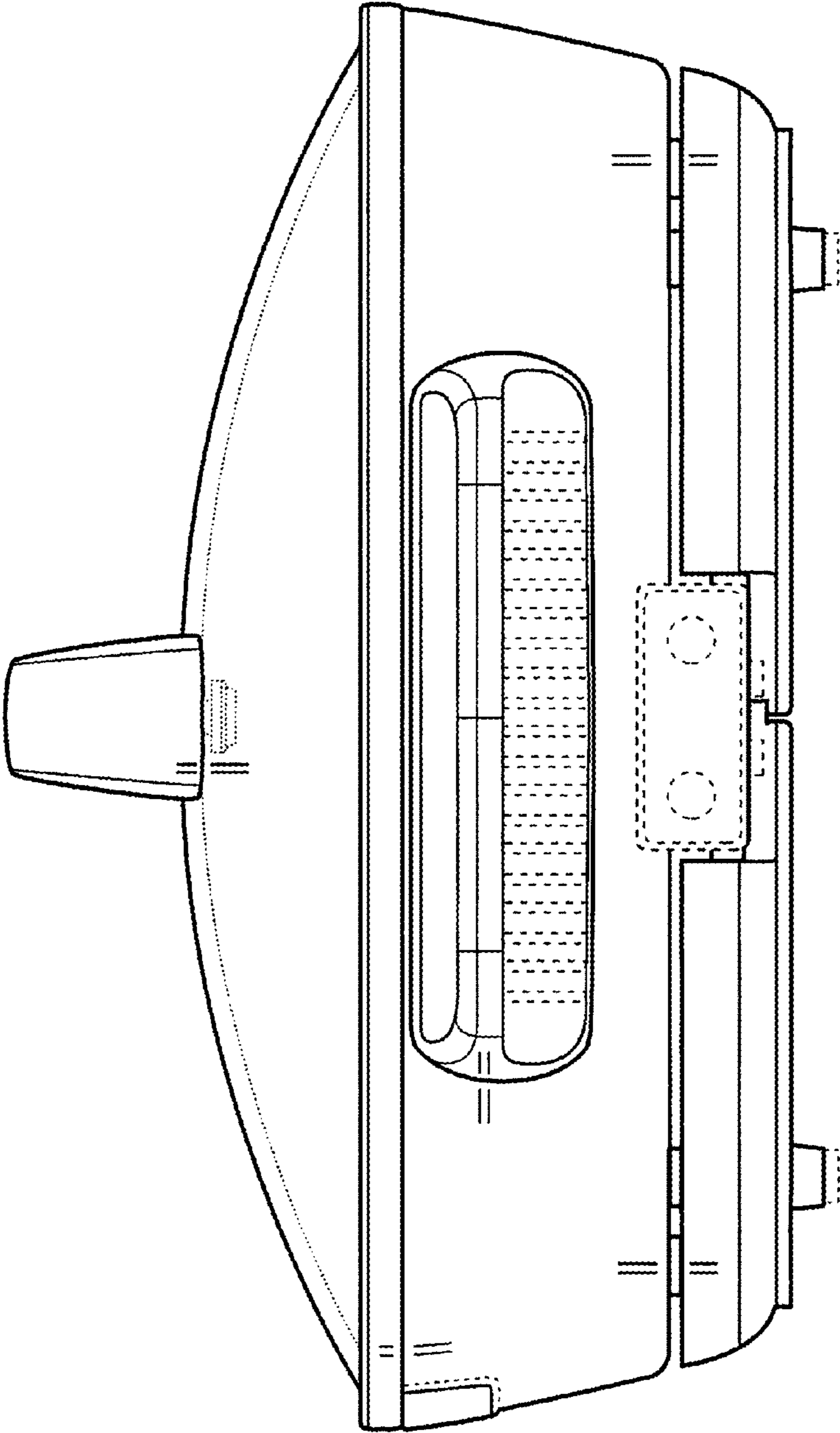


FIG 5

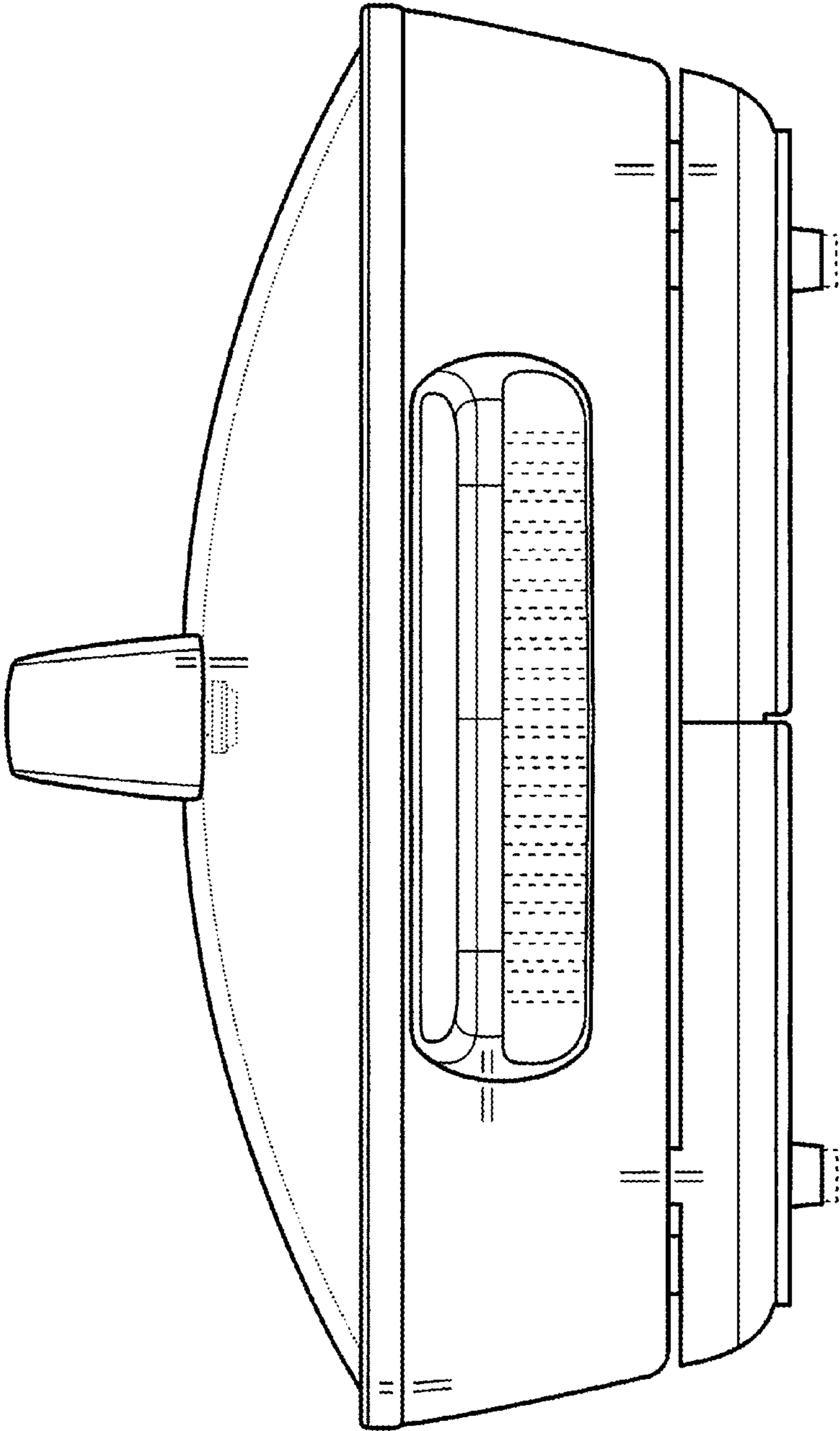


FIG 6

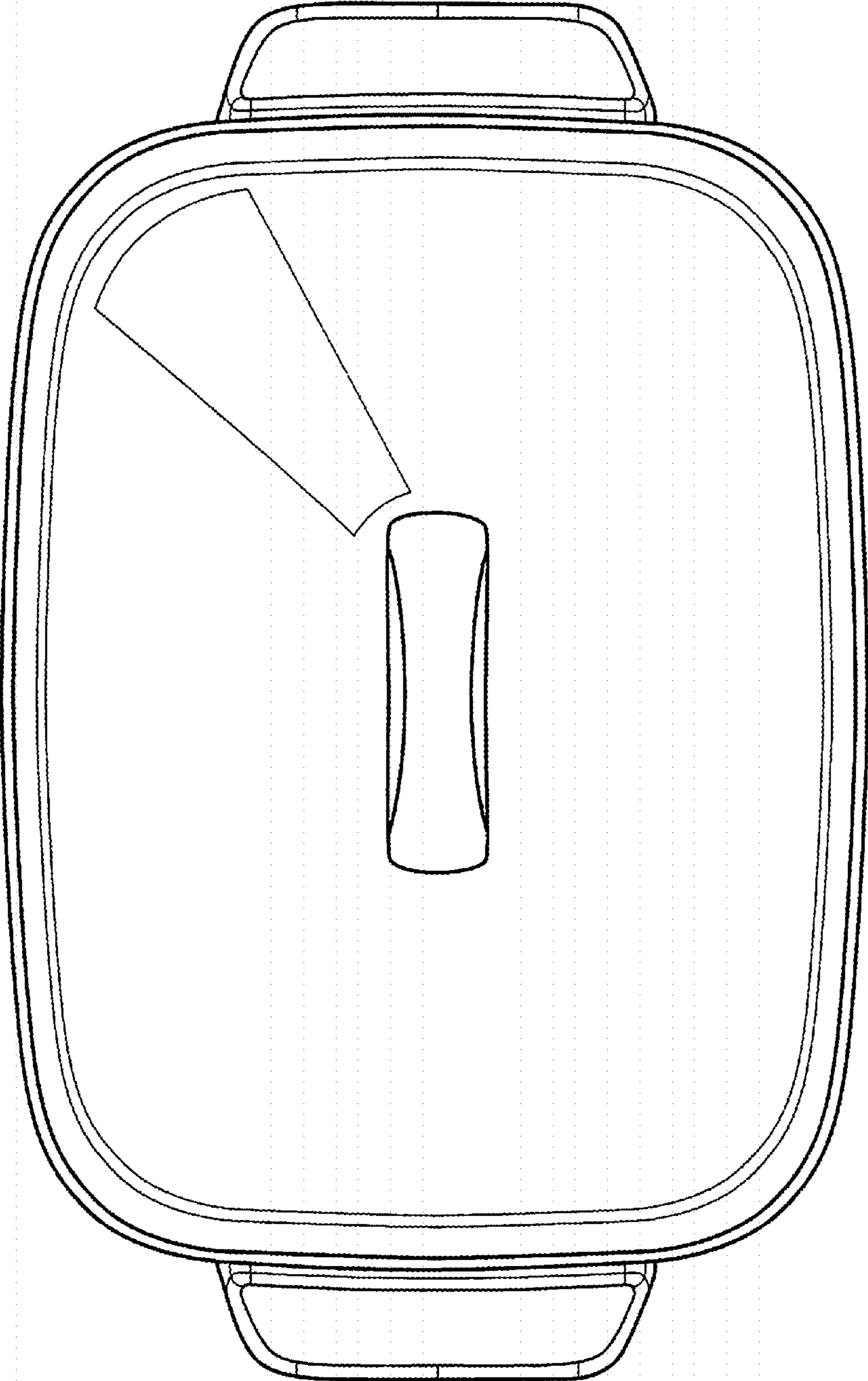


FIG 7

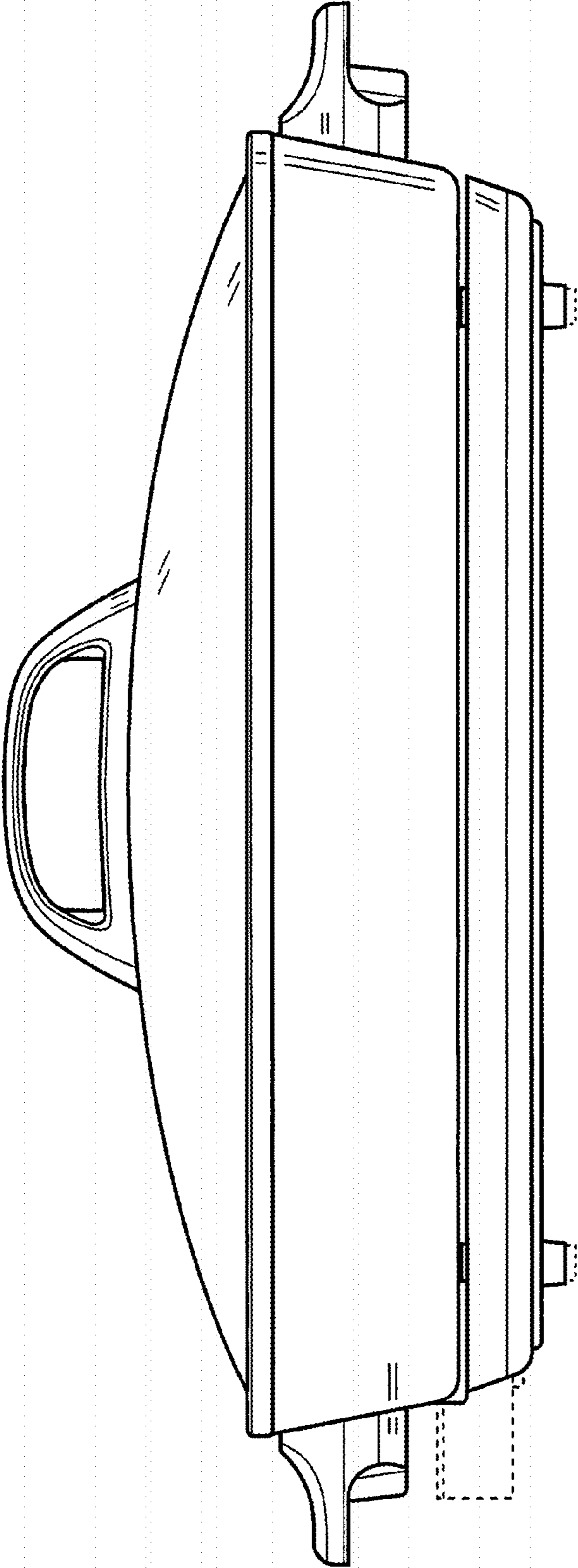


FIG 8

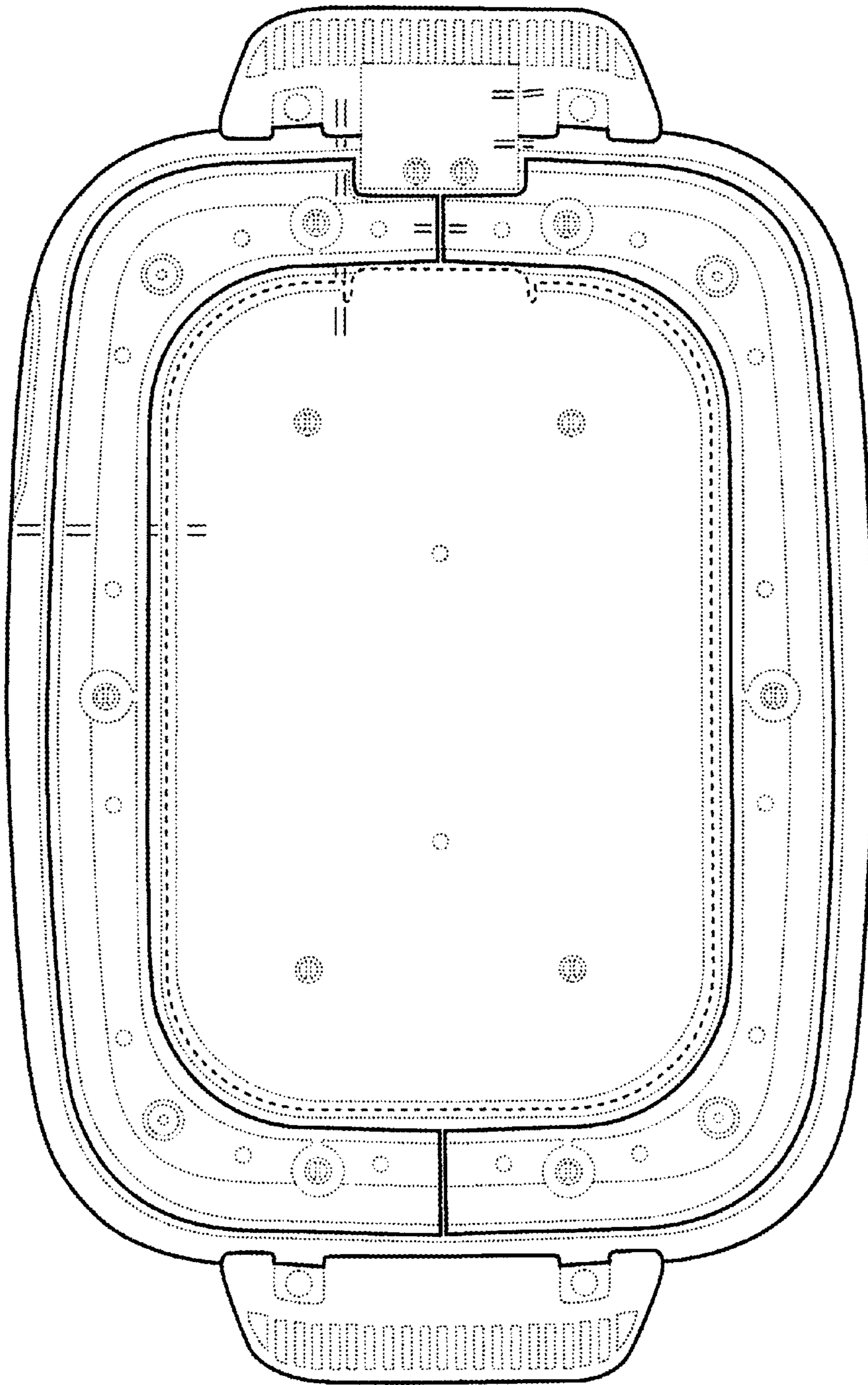


FIG 9

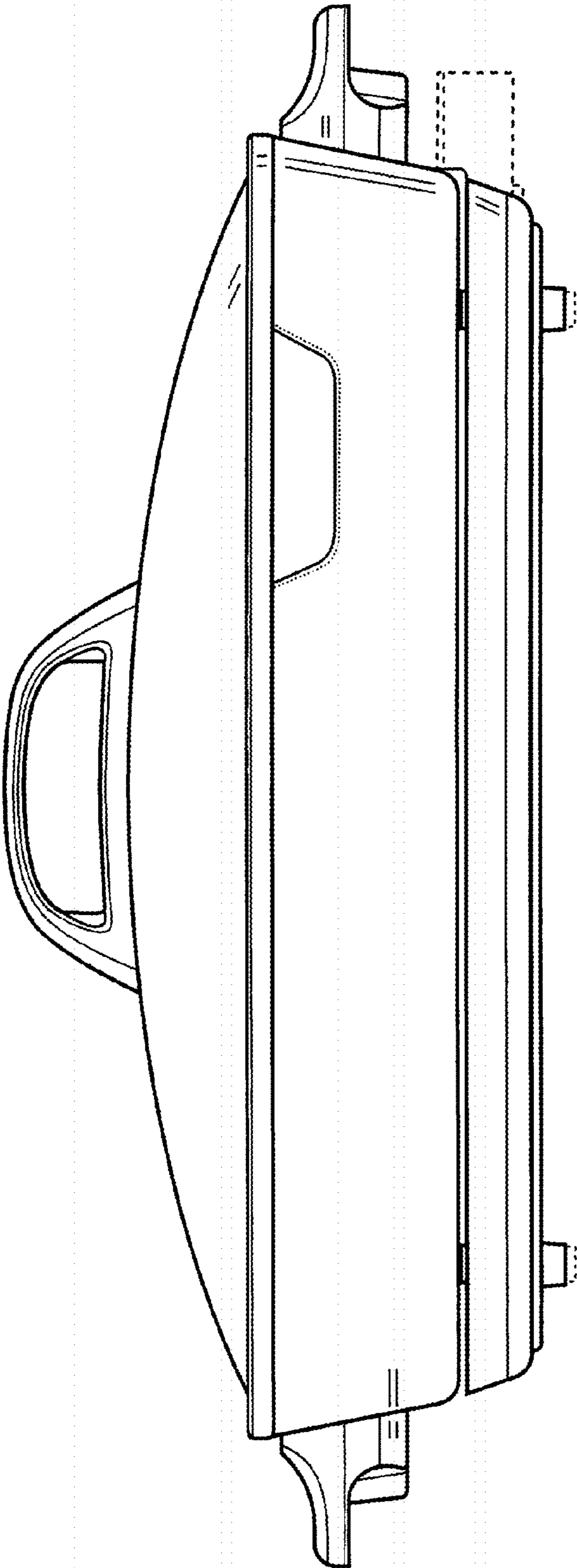


FIG 10

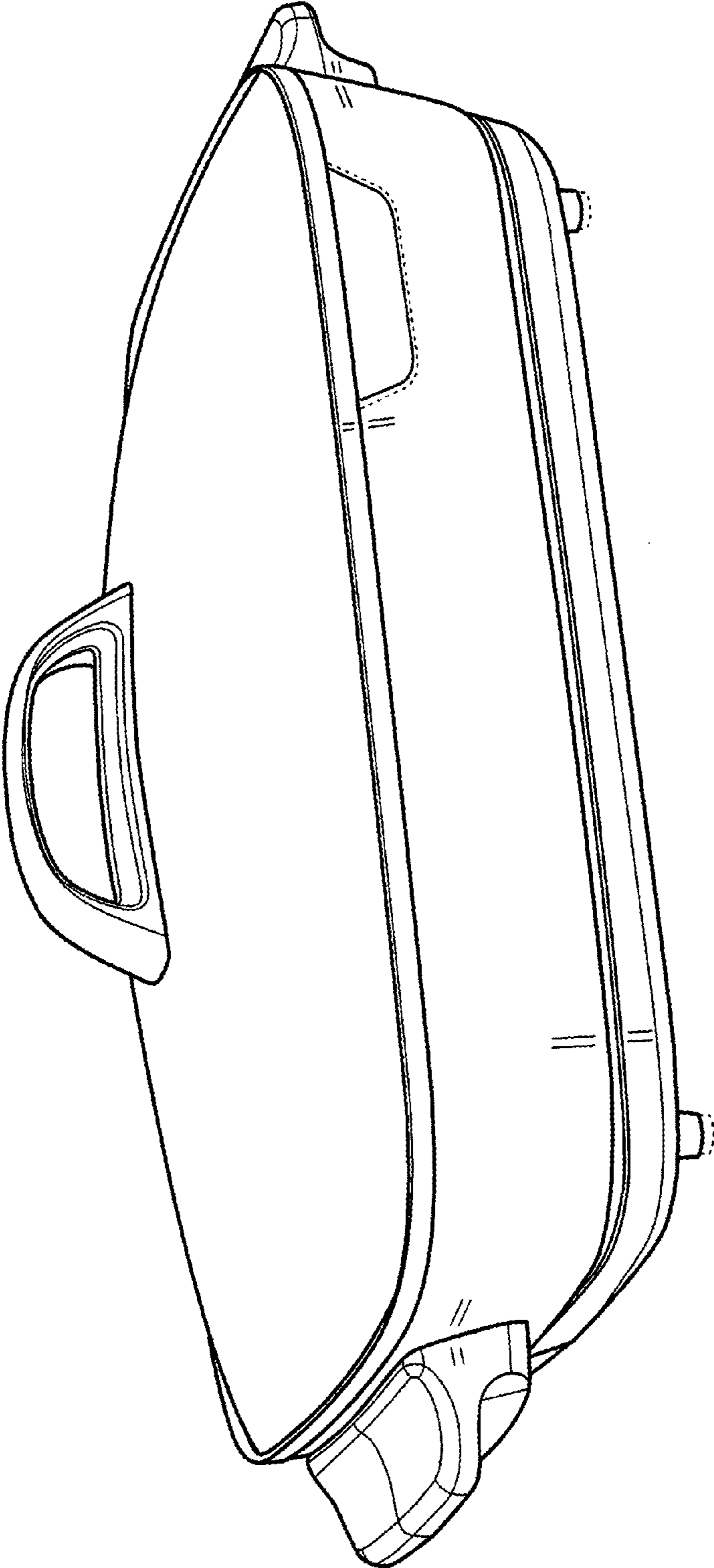


FIG 11

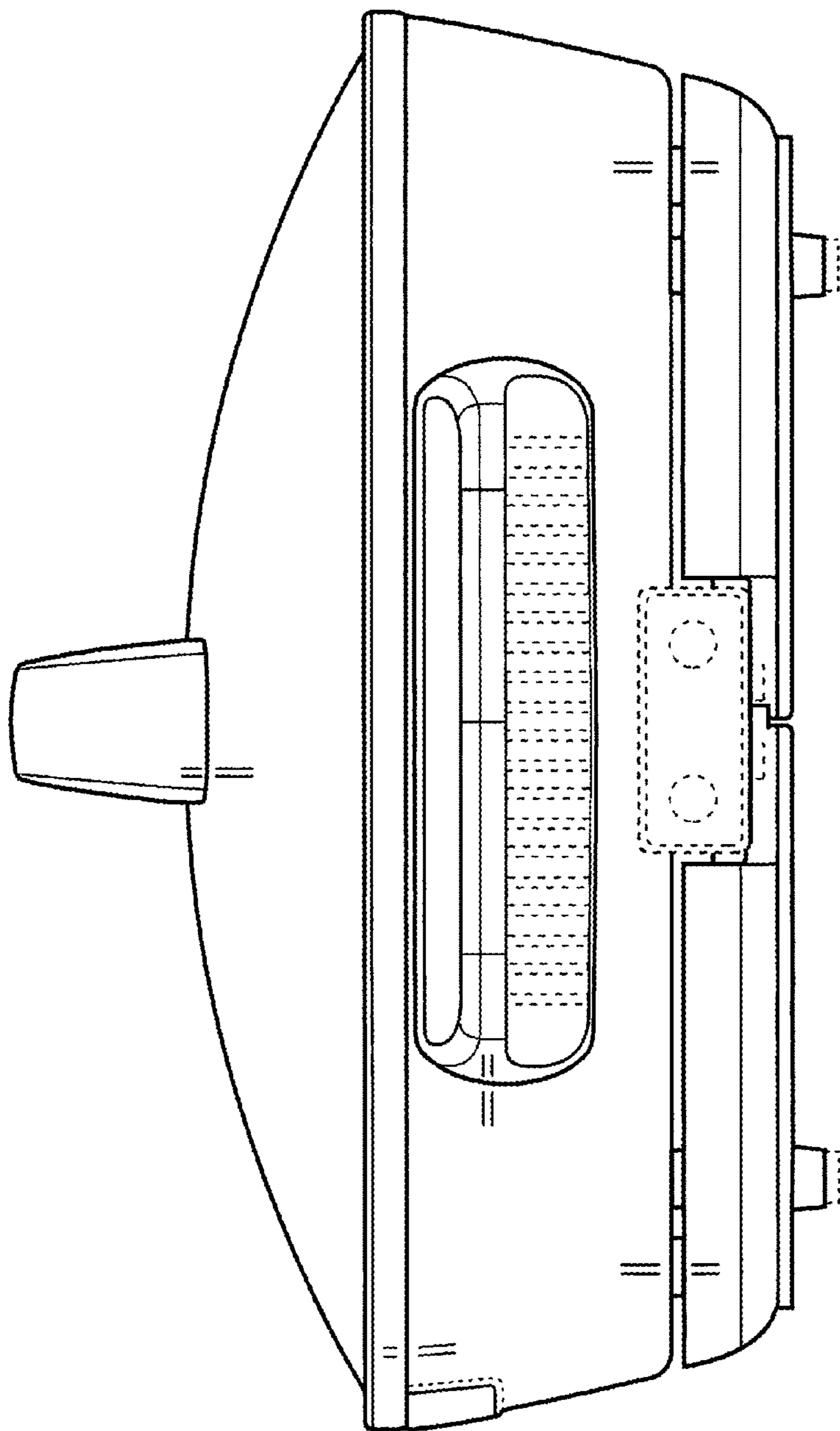


FIG 12

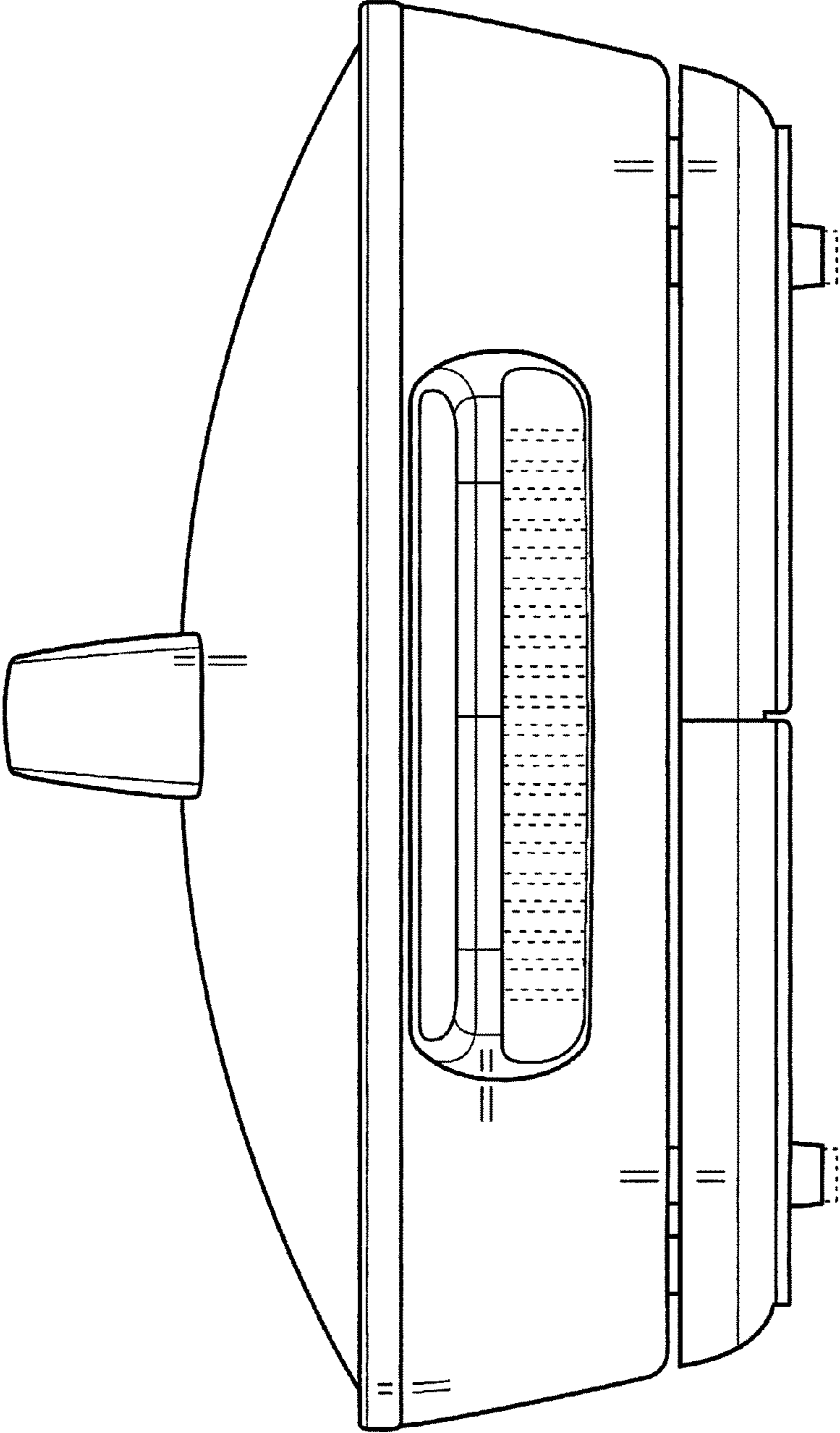


FIG 13

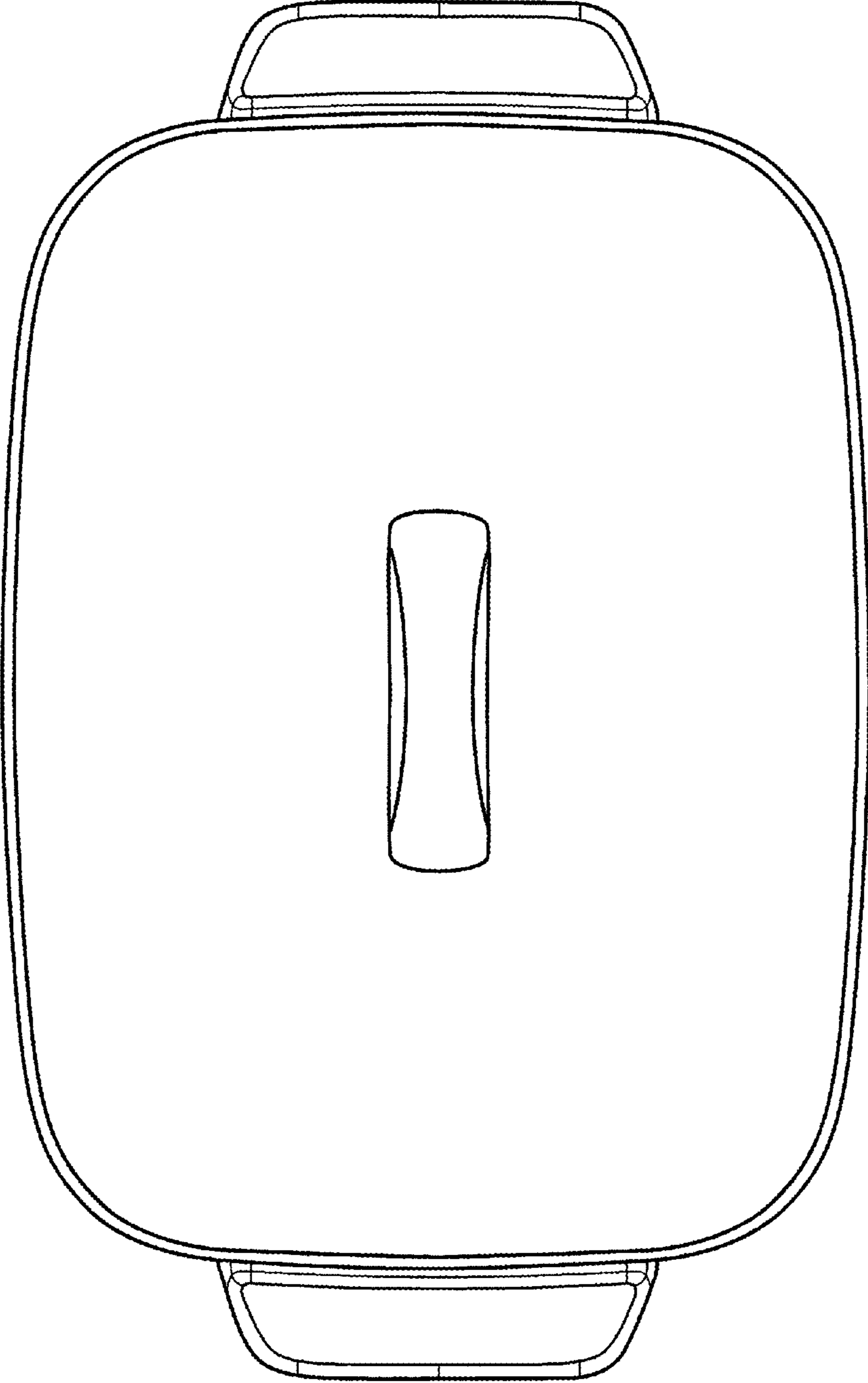


FIG 14