



US00D763033S

(12) **United States Design Patent**
Lye

(10) **Patent No.:** **US D763,033 S**
(45) **Date of Patent:** **** Aug. 9, 2016**

(54) **BEVERAGE DISPENSER**

(71) Applicant: **Clique Beverages, LLC**, Providence, RI (US)

(72) Inventor: **Michael T. Lye**, North Scituate, RI (US)

(73) Assignee: **Clique Beverages, LLC**, Providence, RI (US)

(**) Term: **14 Years**

(21) Appl. No.: **29/525,113**

(22) Filed: **Apr. 27, 2015**

(51) **LOC (10) Cl.** **07-01**

(52) **U.S. Cl.**
USPC **D7/316; D7/300; D7/300.1; D7/312**

(58) **Field of Classification Search**
USPC D7/300.1, 510, 511, 598, 599, 600, 608, D7/515, 312, 306, 300, 316; 169/71; D9/680; D22/112; 102/486; D29/125, D29/126; 220/713, 715
CPC A47G 19/22; A47G 21/18; A62C 13/003
See application file for complete search history.

(56) **References Cited**

U.S. PATENT DOCUMENTS

D220,160	S	*	3/1971	Balbach	D7/300.1
D311,298	S	*	10/1990	Mollenhoff	D7/300
D353,973	S	*	1/1995	Adado	D7/510
D598,242	S	*	8/2009	Kusher	D7/507
D658,006	S	*	4/2012	Yao	D7/505
D667,694	S	*	9/2012	Meyers	D7/510
D671,787	S	*	12/2012	Lin	D7/300.1
8,360,267	B1	*	1/2013	Chiou	A47G 19/2272
						220/711
D676,280	S	*	2/2013	Wong	D7/510
D683,184	S	*	5/2013	Lin	D7/316
D720,962	S	*	1/2015	Coon	D7/510
D744,781	S	*	12/2015	Rummel	D7/511

* cited by examiner

Primary Examiner — Marianne Pandozzi

(74) *Attorney, Agent, or Firm* — McInnes & McLane, LLP

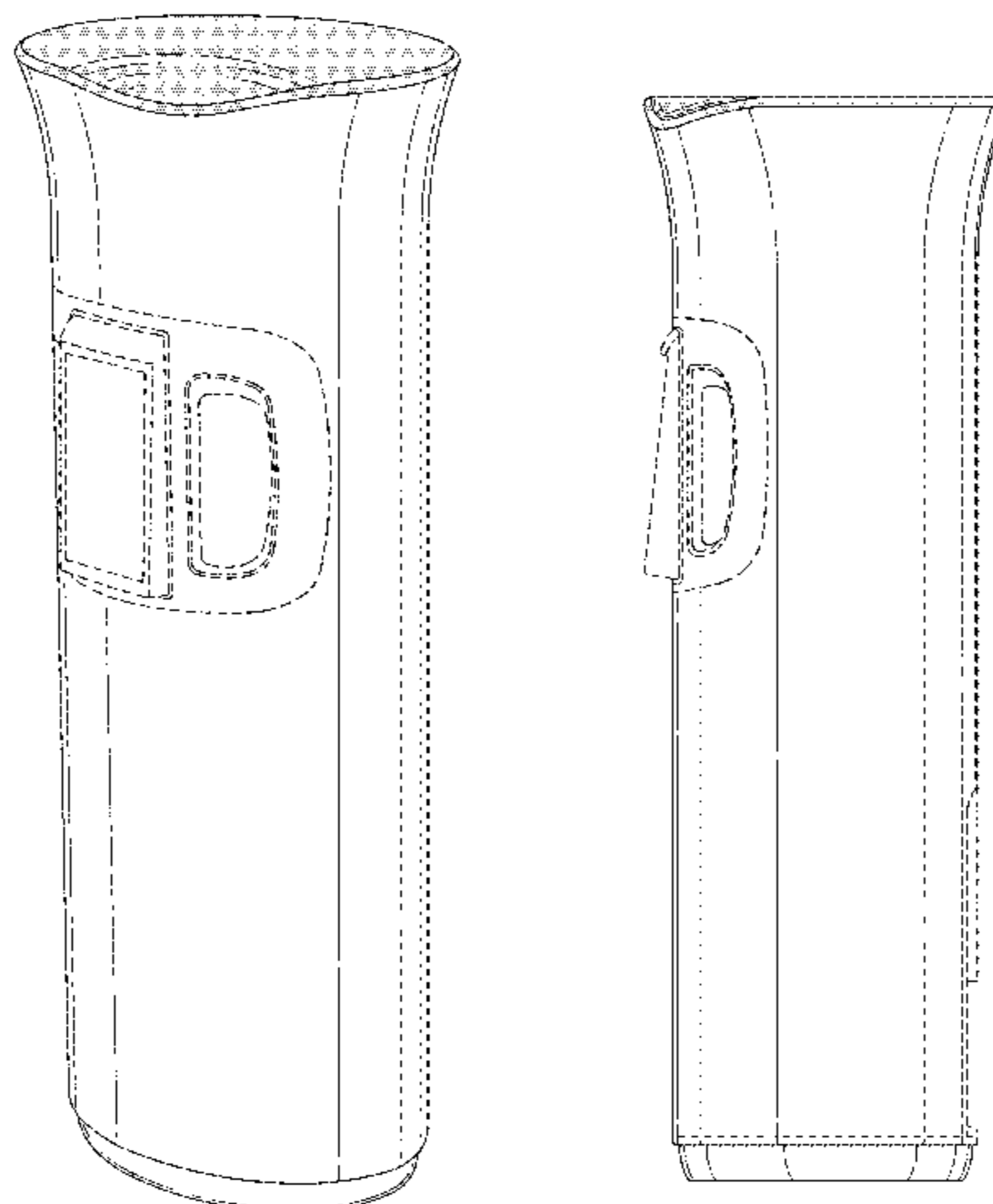
(57) **CLAIM**

The ornamental design for the beverage dispenser, as shown and described.

DESCRIPTION

FIG. 1 is a perspective view of a beverage dispenser showing my new design;
 FIG. 2 is a front elevational view of the beverage dispenser of FIG. 1;
 FIG. 3 is a rear elevational view of the beverage dispenser of FIG. 1;
 FIG. 4 is a left side elevational view of the beverage dispenser of FIG. 1;
 FIG. 5 is a right side elevational view of the beverage dispenser of FIG. 1;
 FIG. 6 is a top plan view of the beverage dispenser of FIG. 1;
 FIG. 7 is a bottom plan view of the beverage dispenser of FIG. 1;
 FIG. 8 is a perspective view of a second embodiment of a beverage dispenser showing my new design;
 FIG. 9 is a front elevational view of the beverage dispenser of FIG. 8;
 FIG. 10 is a rear elevational view of the beverage dispenser of FIG. 8;
 FIG. 11 is a left side elevational view of the beverage dispenser of FIG. 8;
 FIG. 12 is a right side elevational view of the beverage dispenser of FIG. 8;
 FIG. 13 is a top plan view of the beverage dispenser of FIG. 8;
 and,
 FIG. 14 is a bottom plan view of the beverage dispenser of FIG. 8.
 The gray shading shown in FIGS. 1 through 7 indicates color contrast.
 The broken line depict portions of the beverage dispenser that form no part of the claimed design.

1 Claim, 10 Drawing Sheets



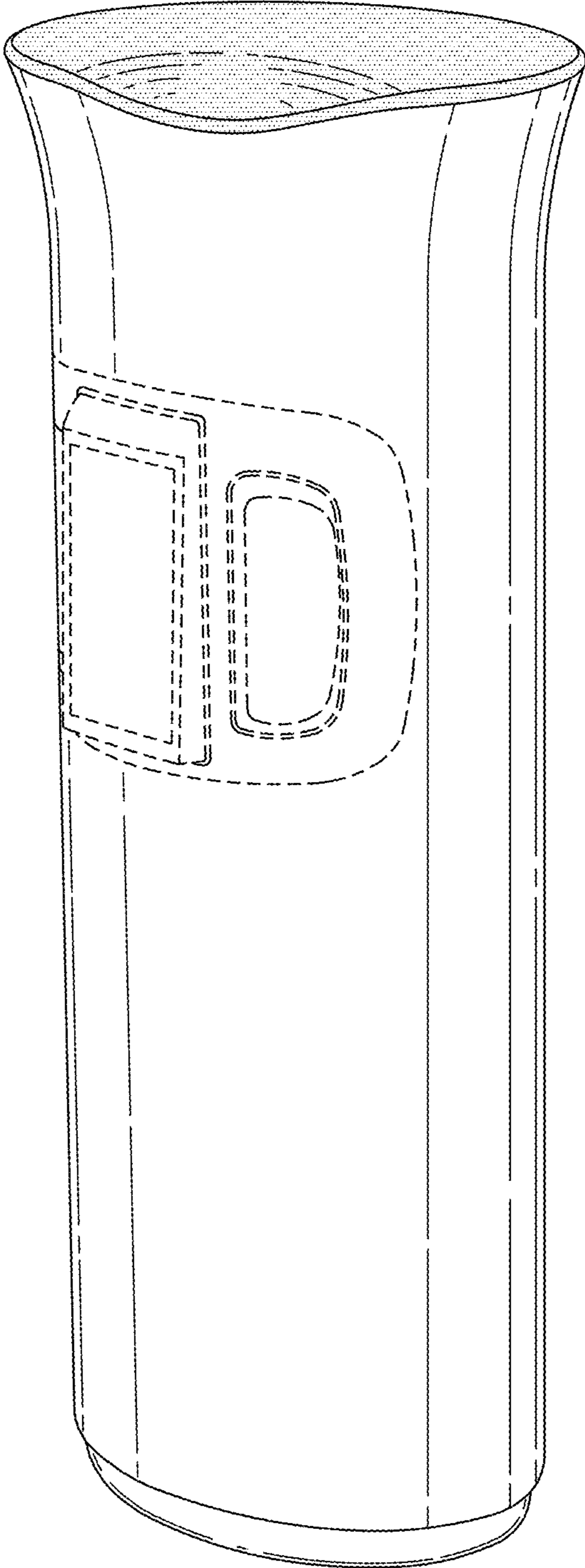


FIG. 1

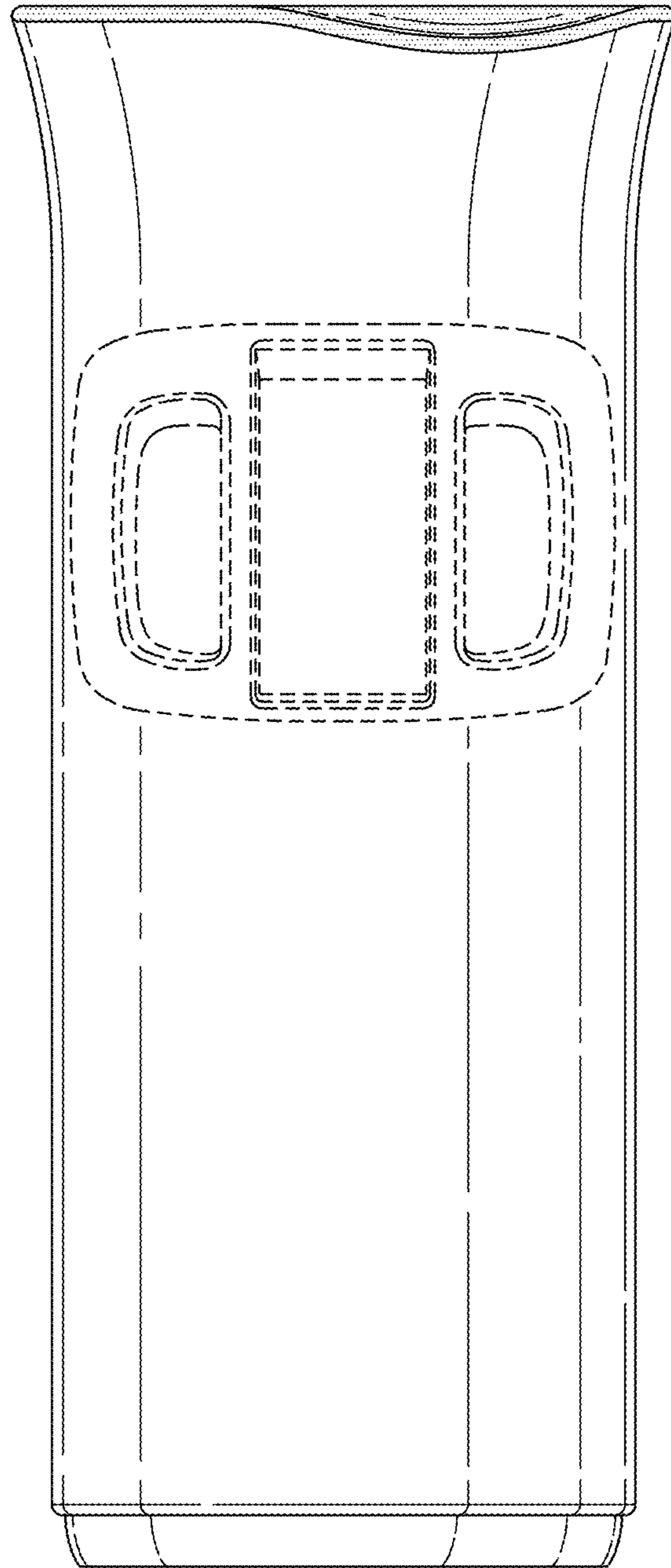


FIG. 2

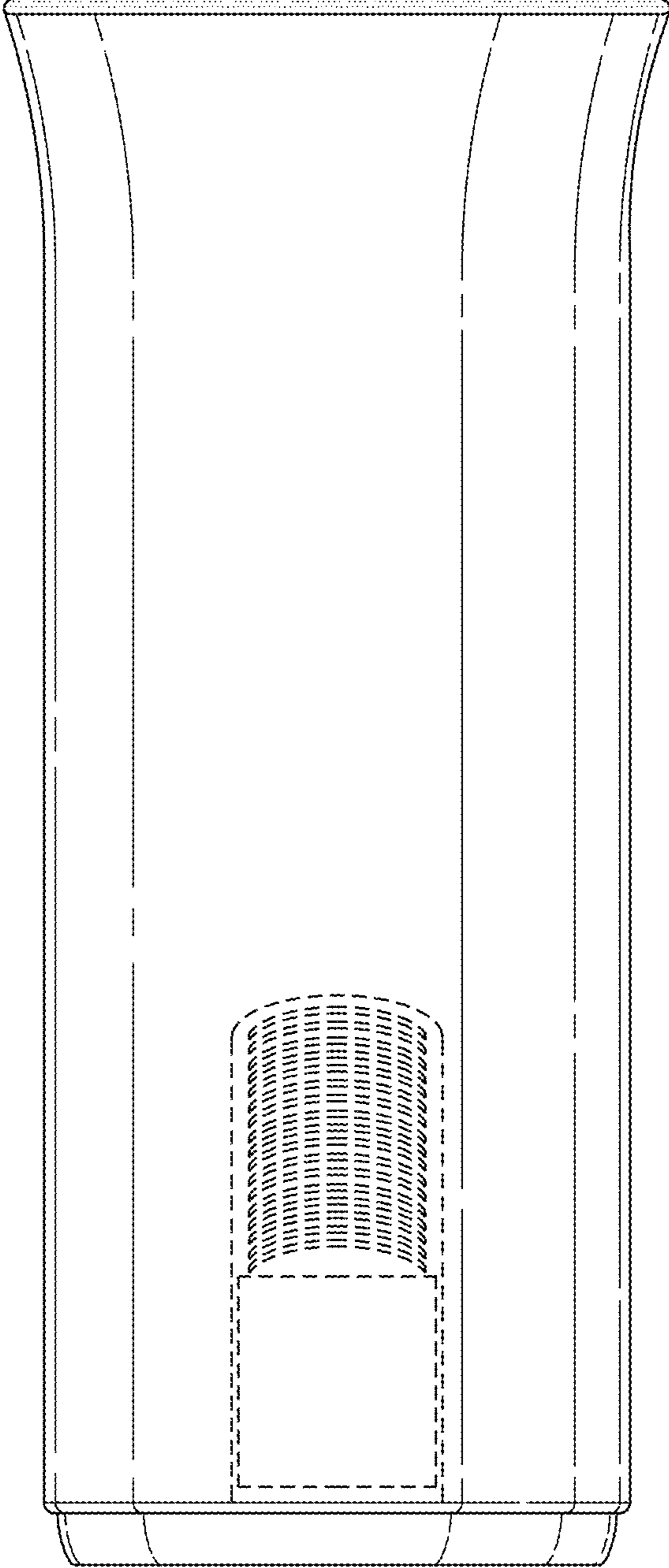


FIG. 3

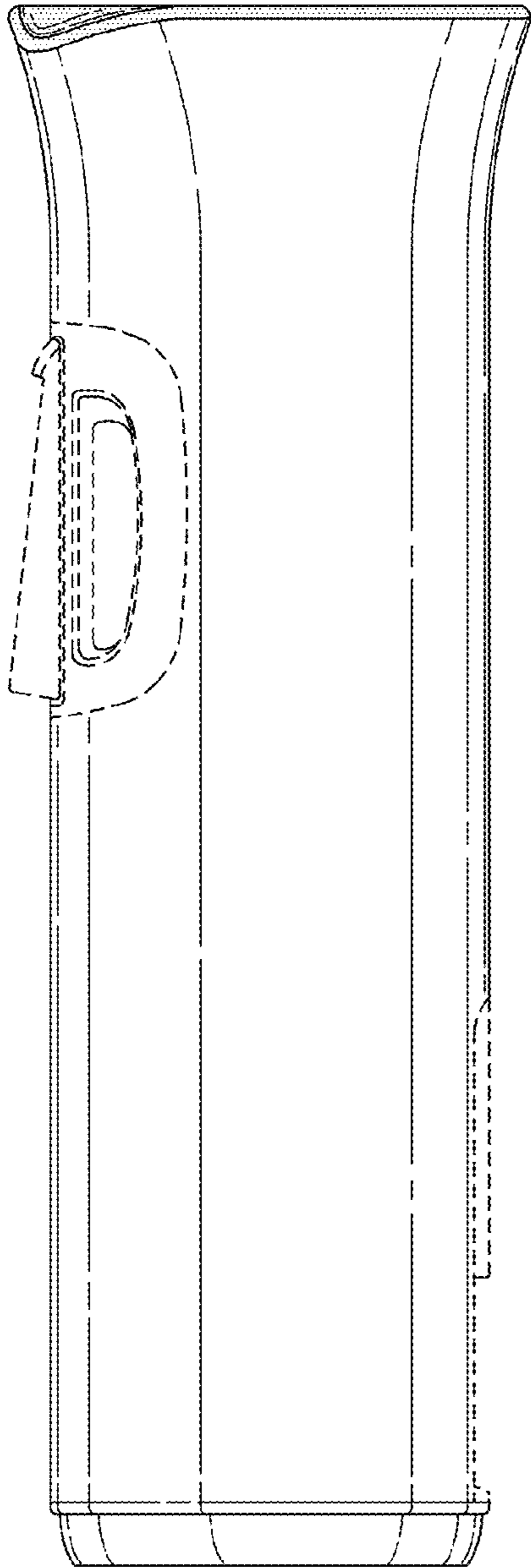


FIG. 4

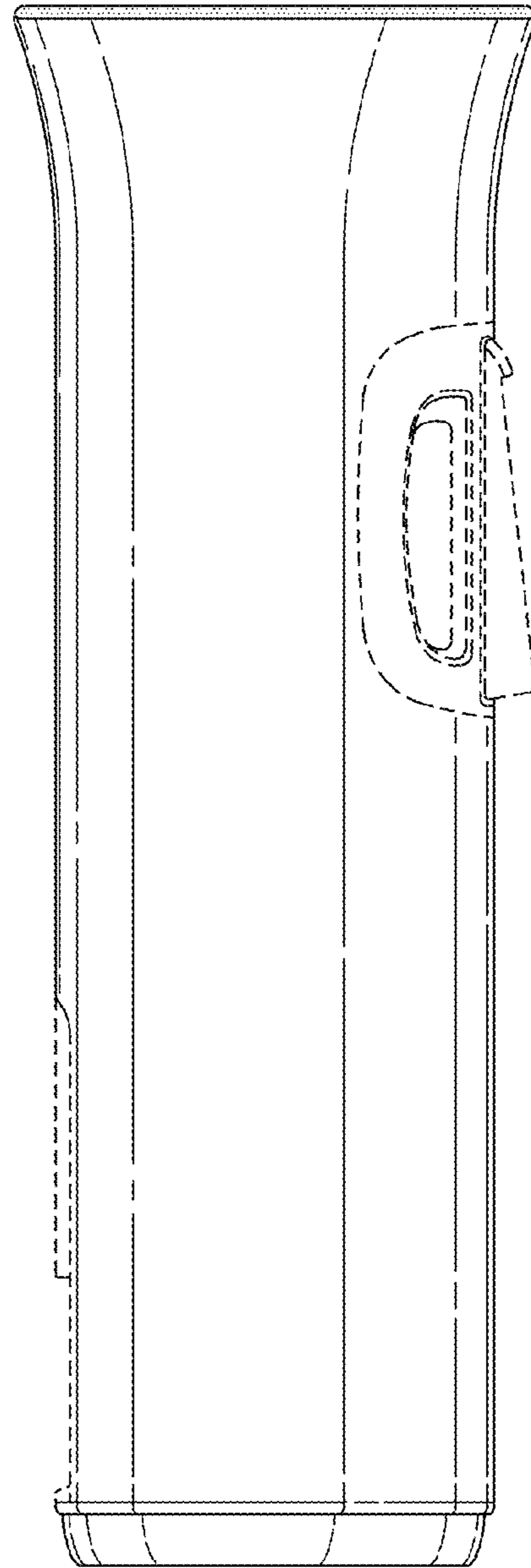


FIG. 5

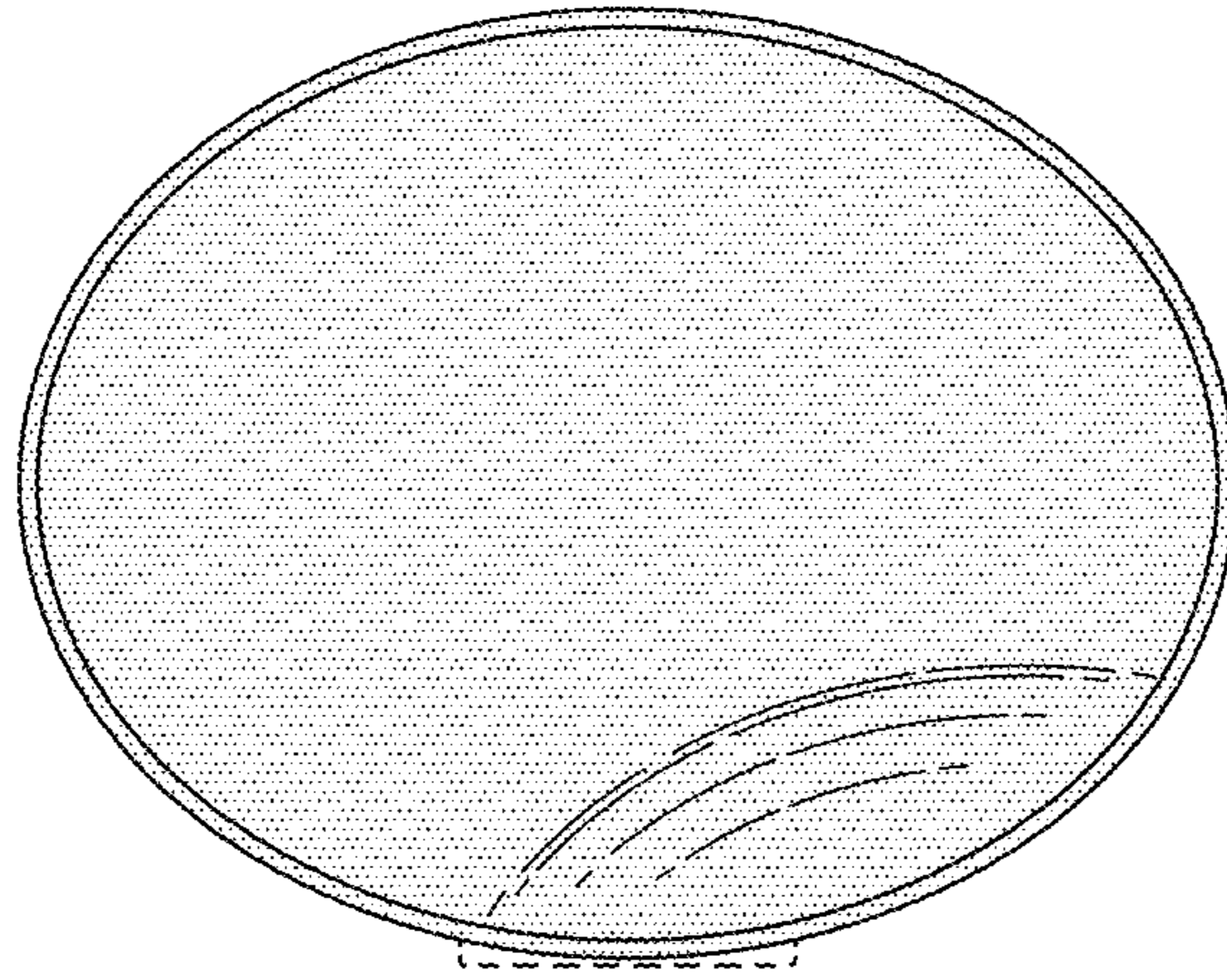


FIG. 6

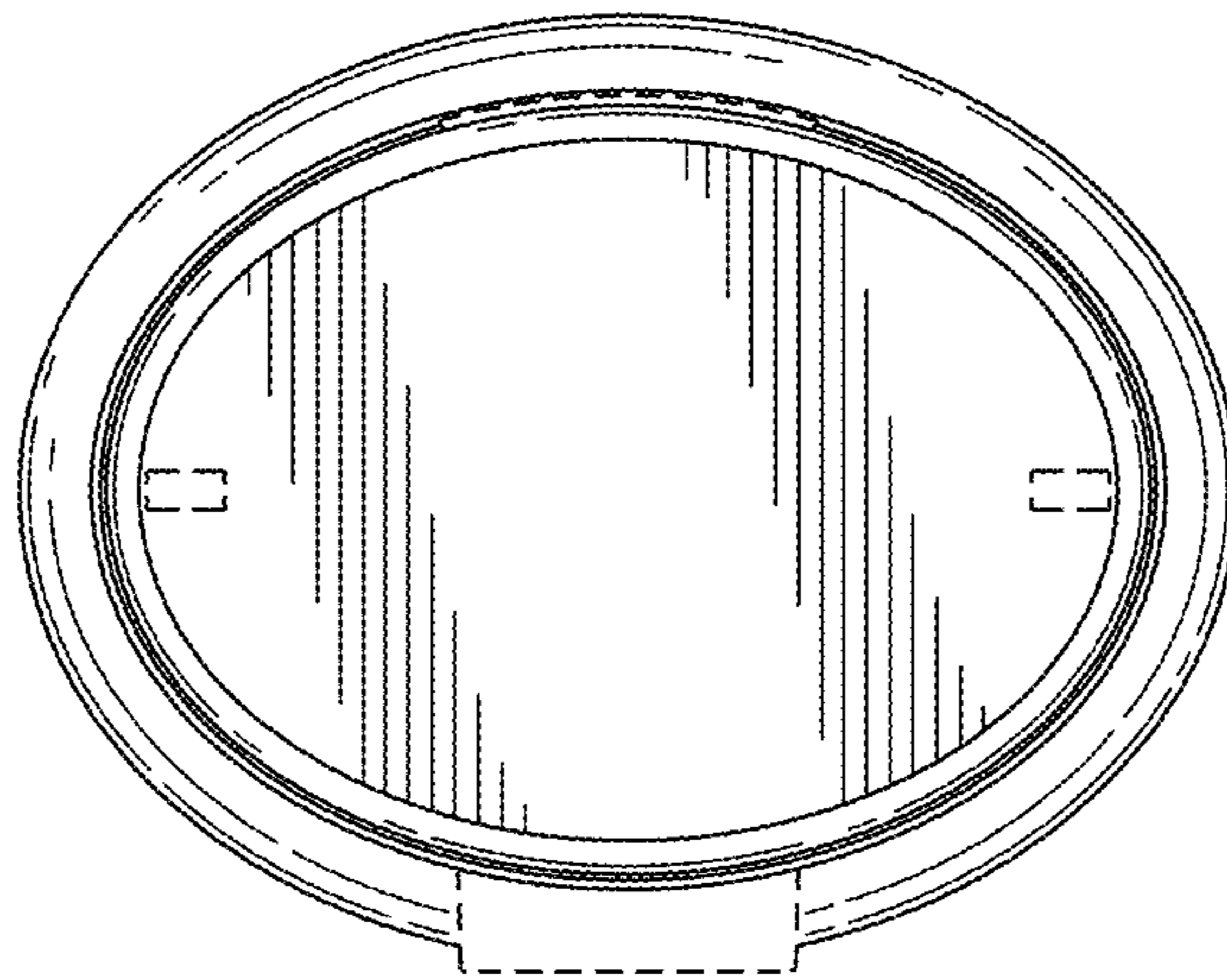


FIG. 7

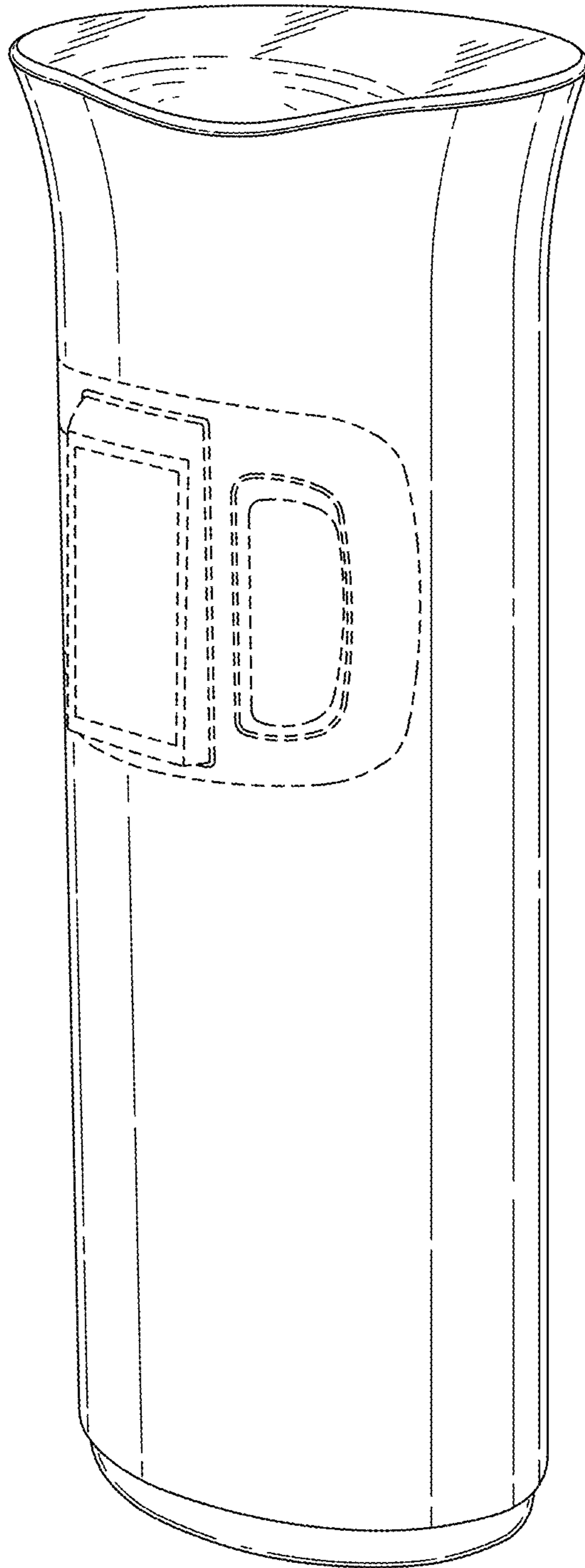


FIG. 8

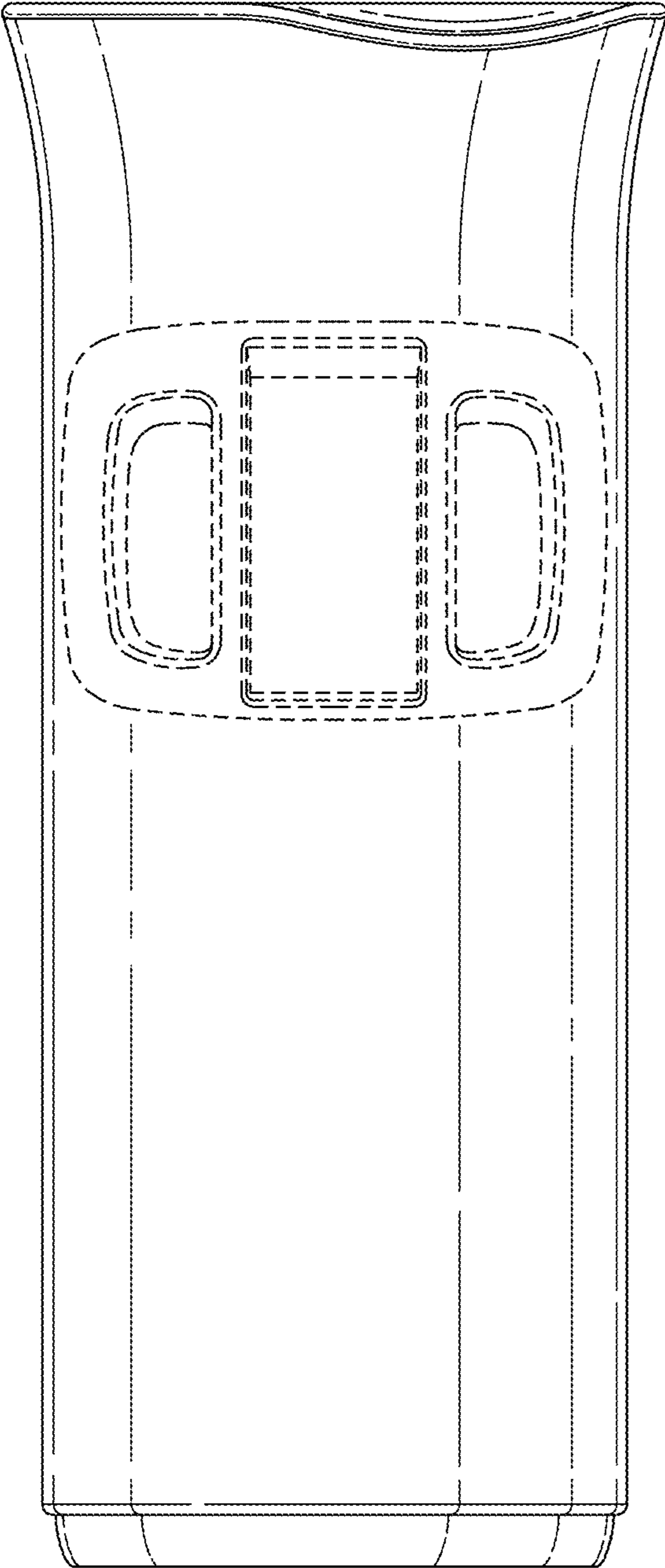


FIG. 9

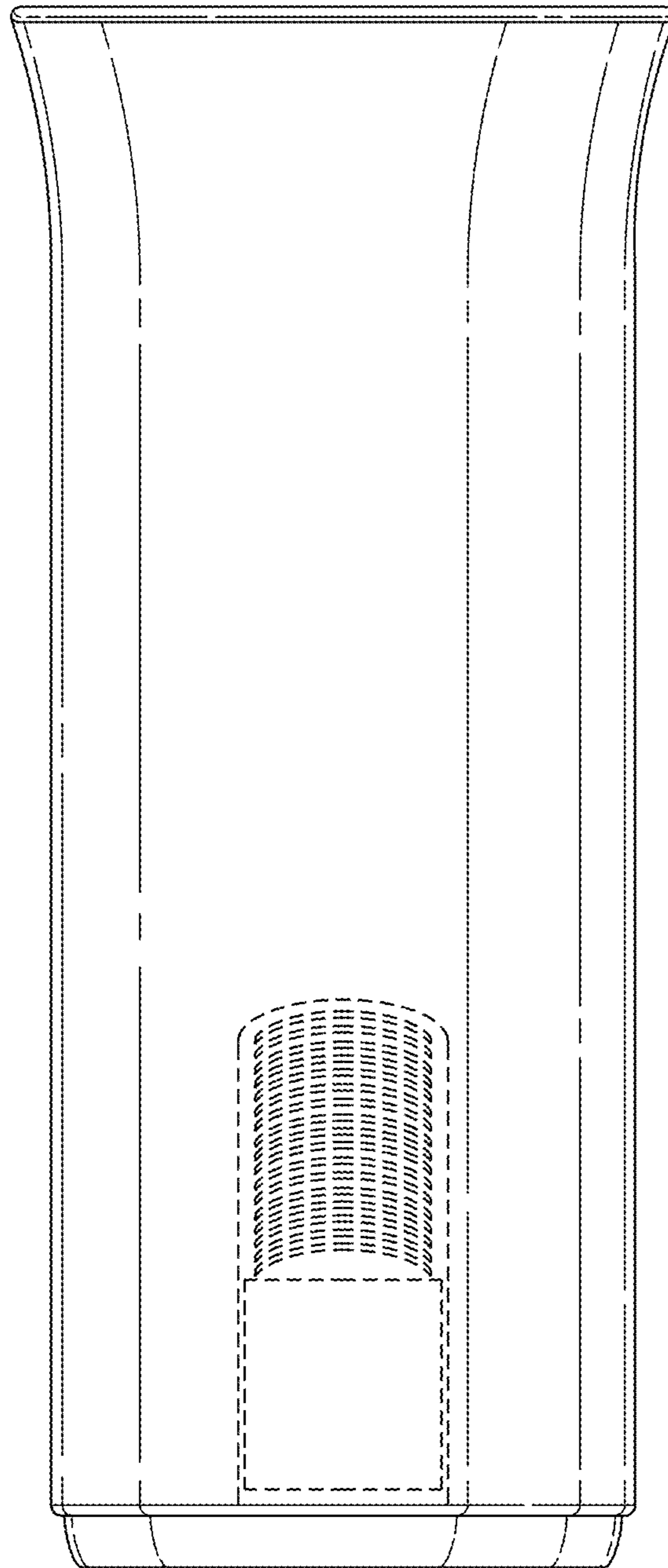


FIG. 10

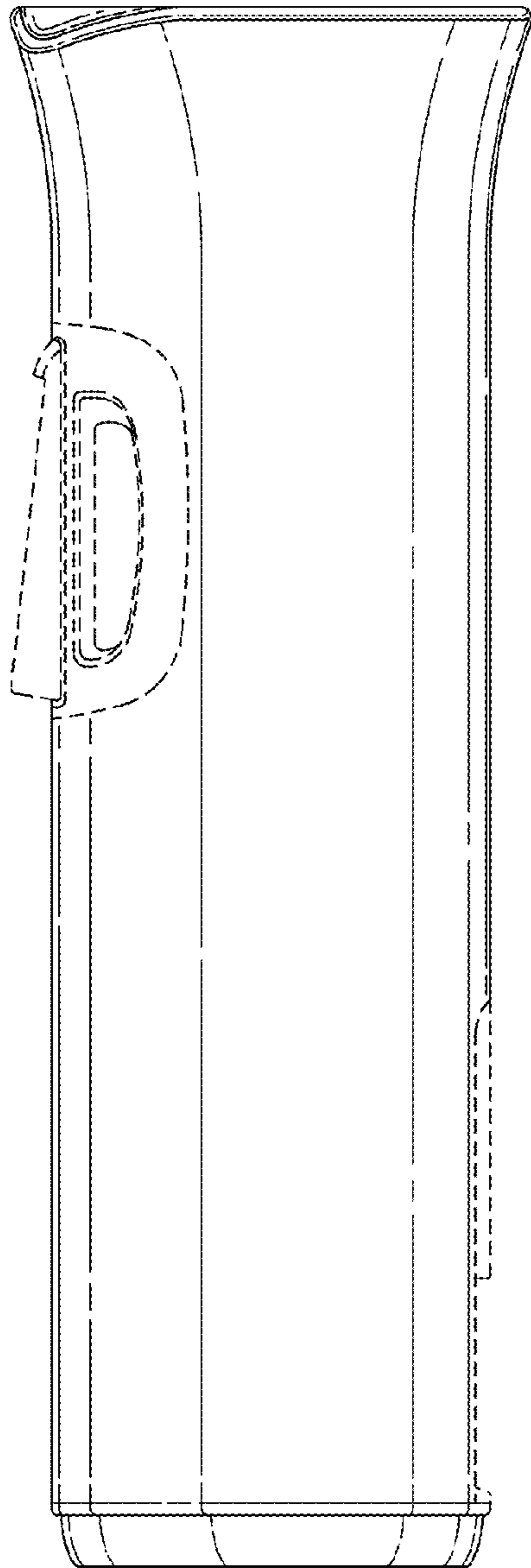


FIG. 11

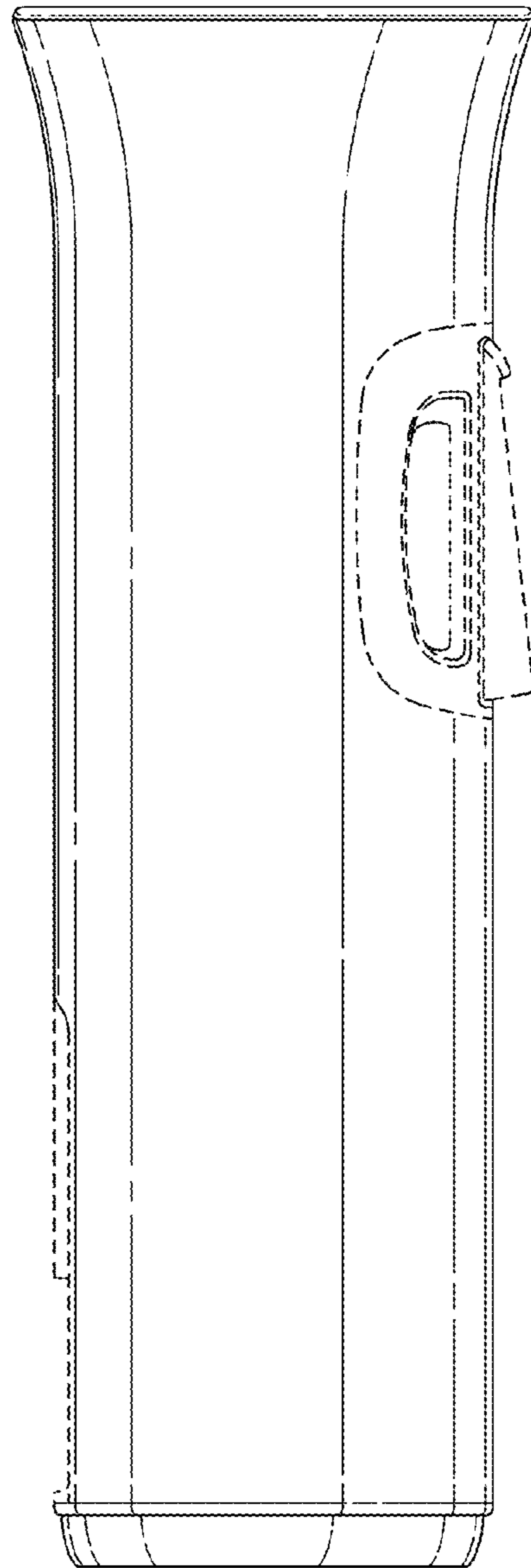


FIG. 12

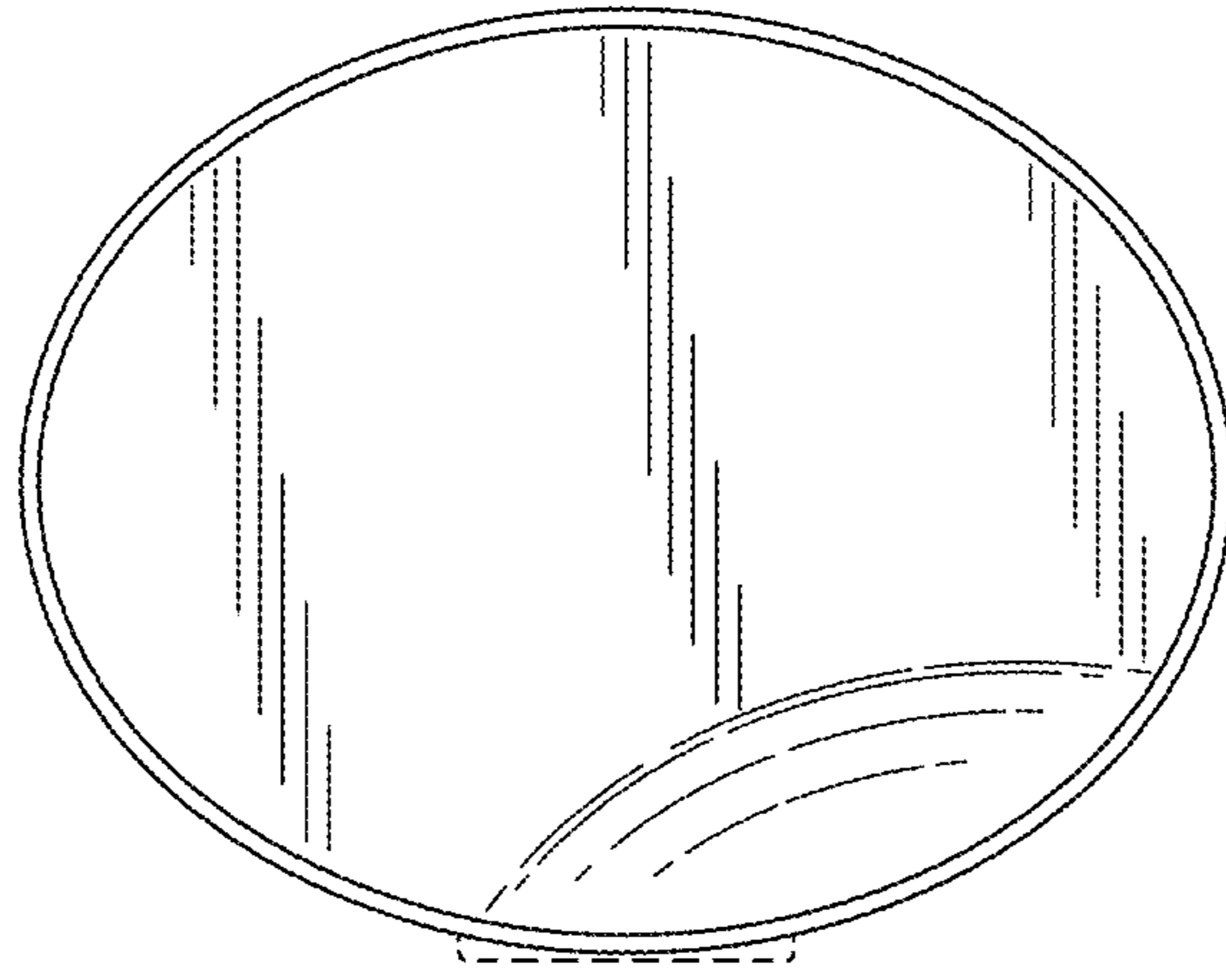


FIG. 13

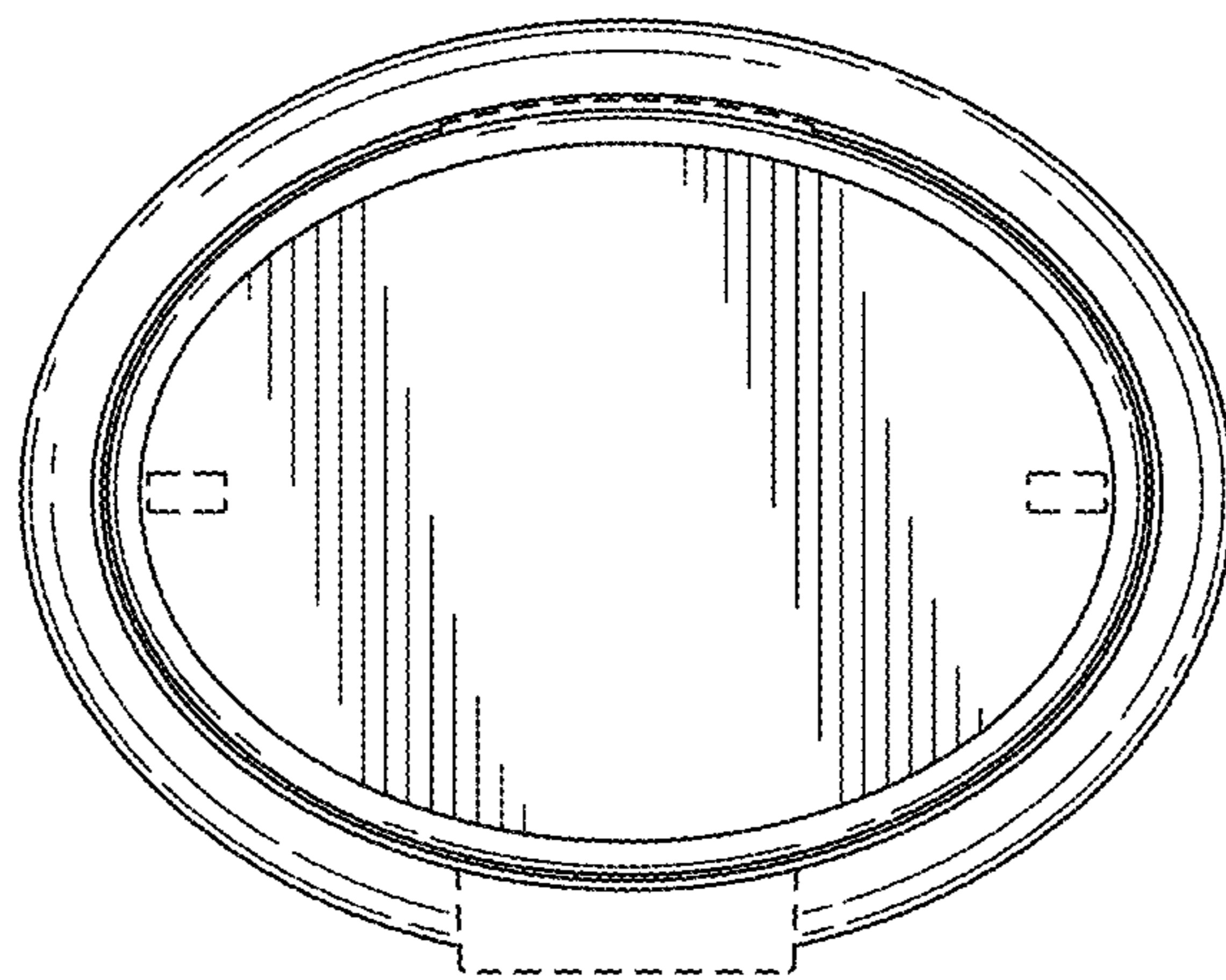


FIG. 14