



US00D763032S

(12) **United States Design Patent**
Jakob et al.

(10) **Patent No.:** **US D763,032 S**
(45) **Date of Patent:** **** Aug. 9, 2016**

(54) **COFFEE MACHINE**
(71) Applicant: **Societe des Produits Nestle S.A., Vevey**
(CH)
(72) Inventors: **Uwe Jakob**, Frankfurt am Main (DE);
Jens Steffen, Frankfurt am Main (DE);
Maciej Puzon, Köln (DE)
(73) Assignee: **Societe des Produits Nestle S.A., Vevey**
(CH)

D647,355 S * 10/2011 Ponzio D7/307
D674,443 S * 1/2013 Voron D20/1
D676,701 S * 2/2013 Chung D7/307
D694,966 S * 12/2013 Borjesson D32/6
D701,009 S * 3/2014 Jinnam D32/6
8,757,222 B2 * 6/2014 Rudick B67D 1/0888
141/198
D724,884 S * 3/2015 Struzka D7/306
D729,997 S * 5/2015 Hwang D32/6
D732,330 S * 6/2015 Cha D7/306
D735,425 S * 7/2015 Choi D32/6
D746,521 S * 12/2015 Ha D32/6

(**) Term: **14 Years**
(21) Appl. No.: **29/510,954**
(22) Filed: **Dec. 4, 2014**

* cited by examiner
Primary Examiner — Marianne Pandozzi
(74) *Attorney, Agent, or Firm* — K&L Gates LLP

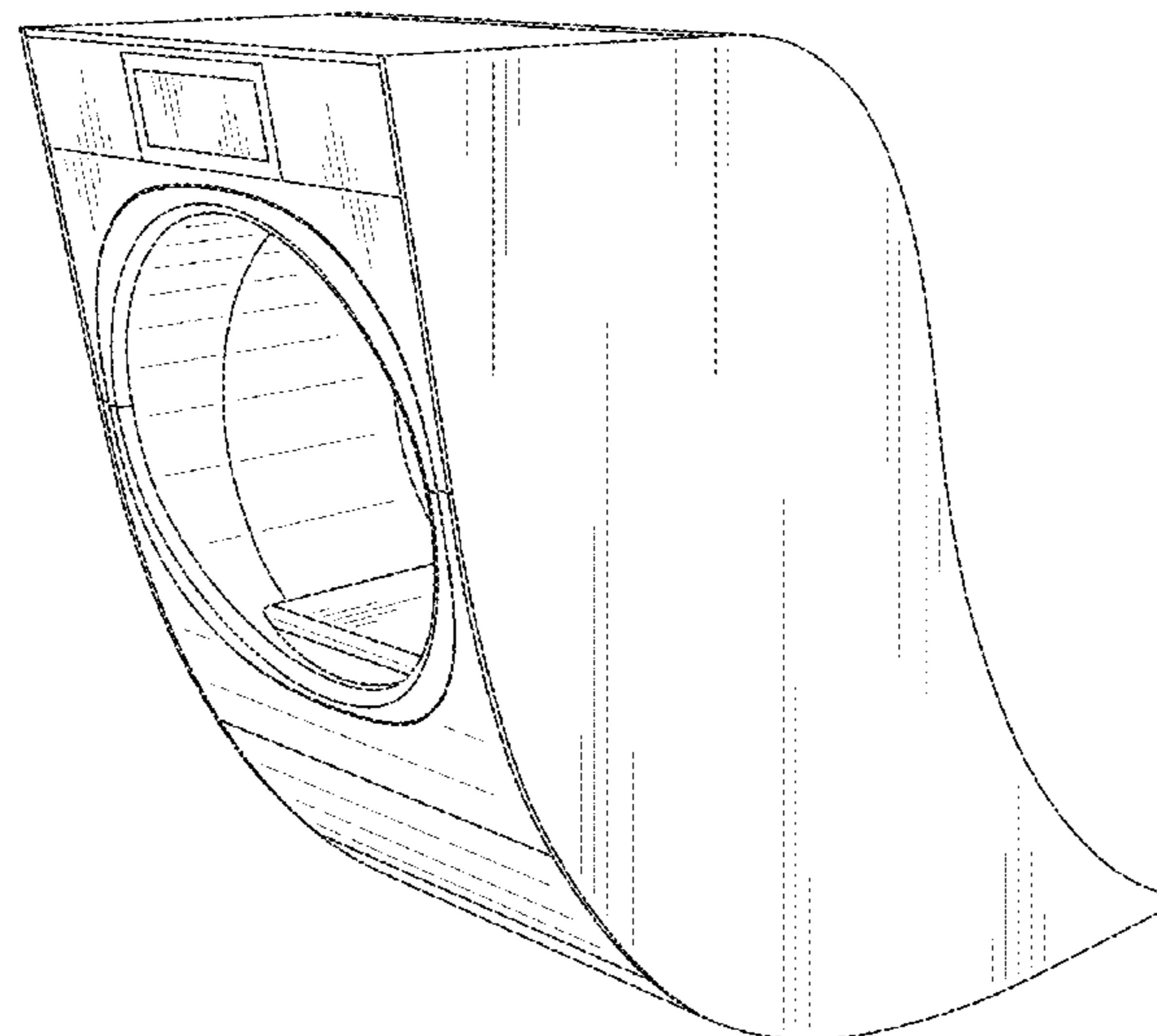
(30) **Foreign Application Priority Data**
Jun. 11, 2014 (CH) 140712
(51) **LOC (10) Cl.** **07-01**
(52) **U.S. Cl.**
USPC **D7/309; D7/311; D32/6**
(58) **Field of Classification Search**
USPC D7/306-311, 305, 300; 99/279, 284,
99/290, 280, 299, 307, 297; D20/1;
D32/29, 16, 6, 8
CPC A47J 31/44; A47J 31/00; A47J 31/46;
A47J 31/10; A47J 31/06; A47J 31/446
See application file for complete search history.

(57) **CLAIM**
The ornamental design for a coffee machine, as shown and described.

(56) **References Cited**
U.S. PATENT DOCUMENTS
5,829,275 A * 11/1998 Babuin D06F 39/10
68/12.13
D555,968 S * 11/2007 Pfeifer D7/306

DESCRIPTION
FIG. 1 is a front perspective view of a coffee machine showing our new design;
FIG. 2 is a front view thereof;
FIG. 3 is a rear view thereof;
FIG. 4 is a left side view thereof;
FIG. 5 is a right side view thereof;
FIG. 6 is a top plan view thereof; and,
FIG. 7 is a bottom plan view thereof.
The ornamental design that is claimed is shown in solid lines in the drawings.
Any broken lines in the drawings are for illustrative purposes only and form no part of the claimed design.

1 Claim, 6 Drawing Sheets



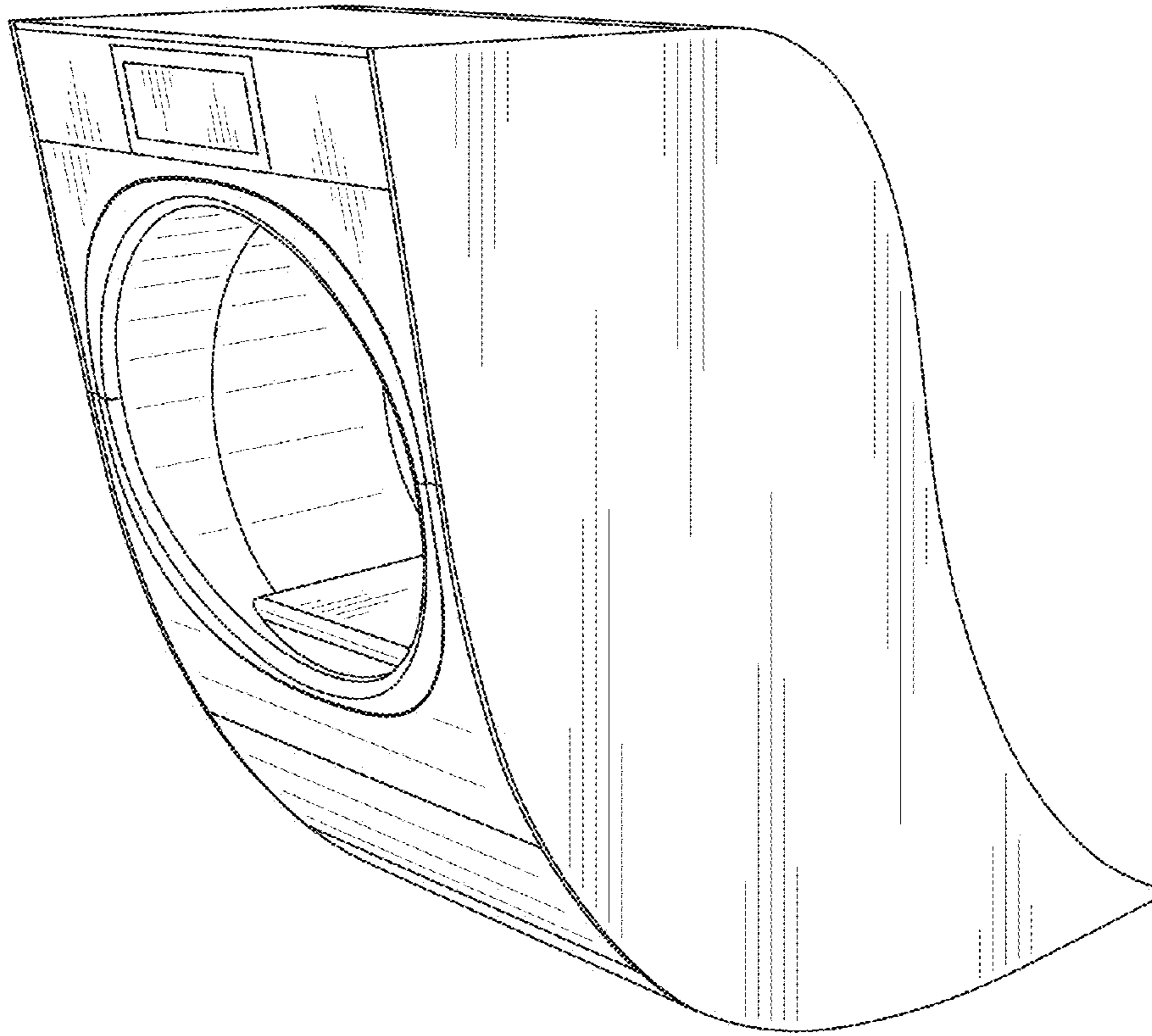


FIG. 1

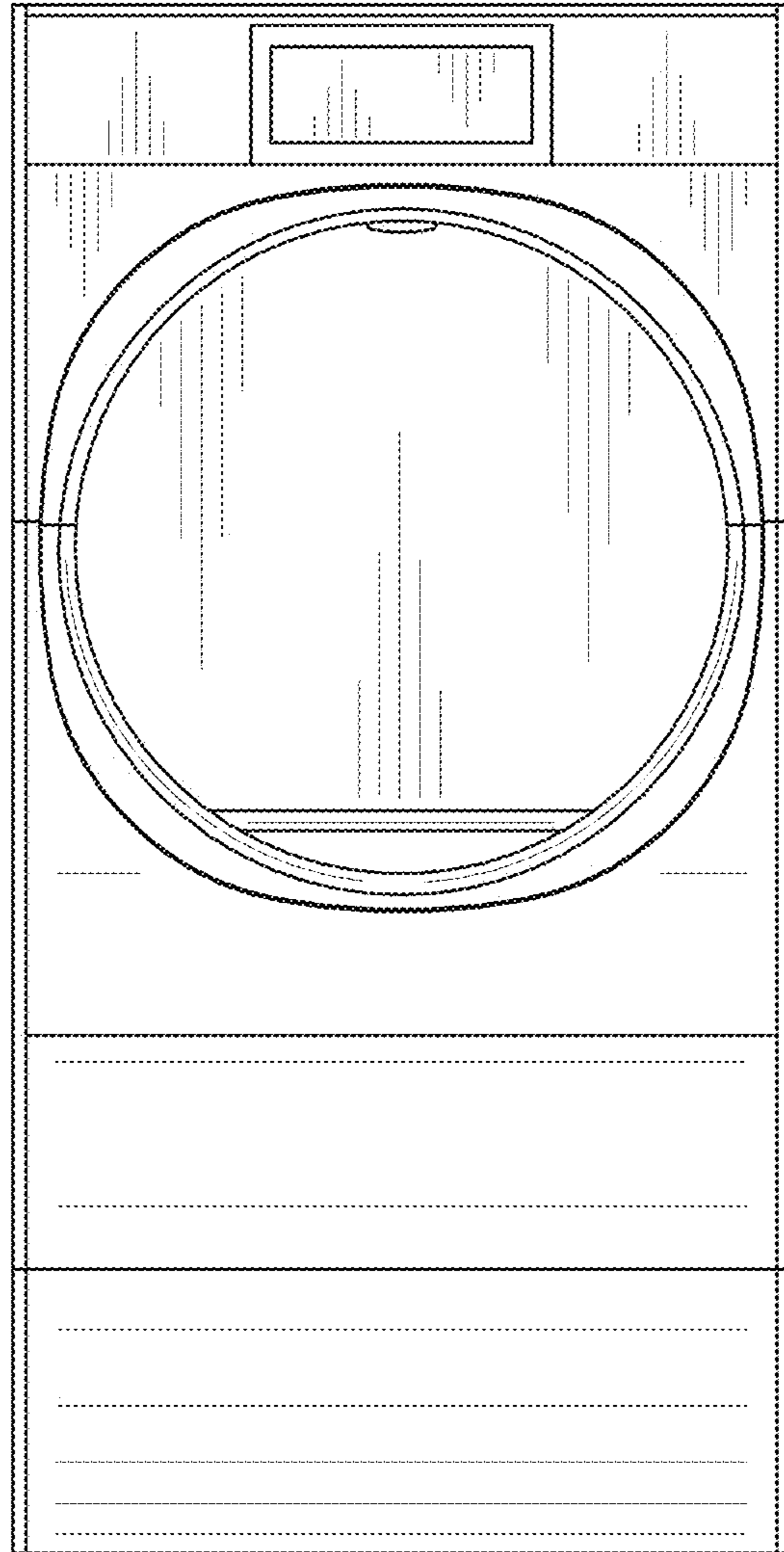


FIG. 2

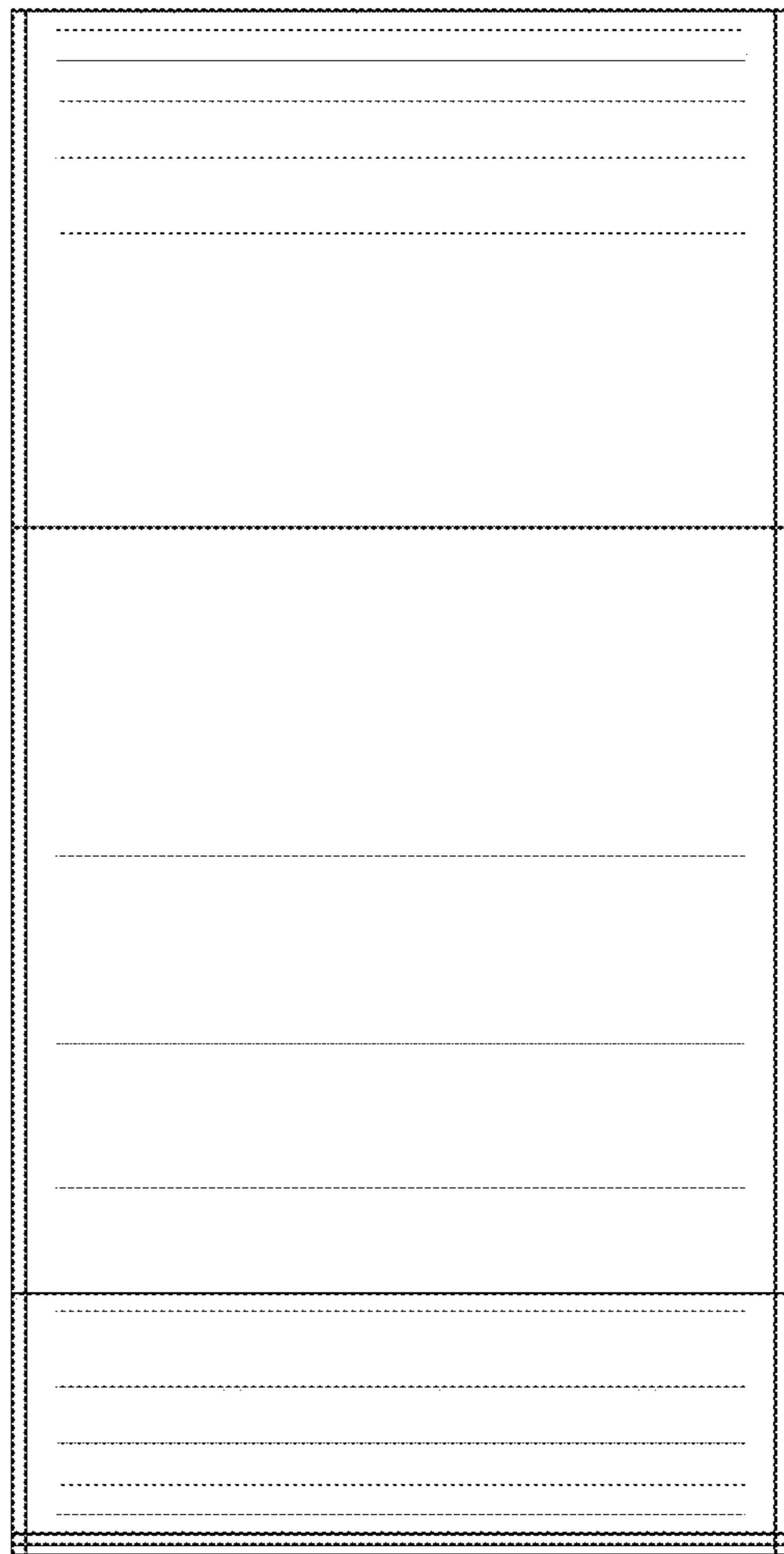


FIG. 3

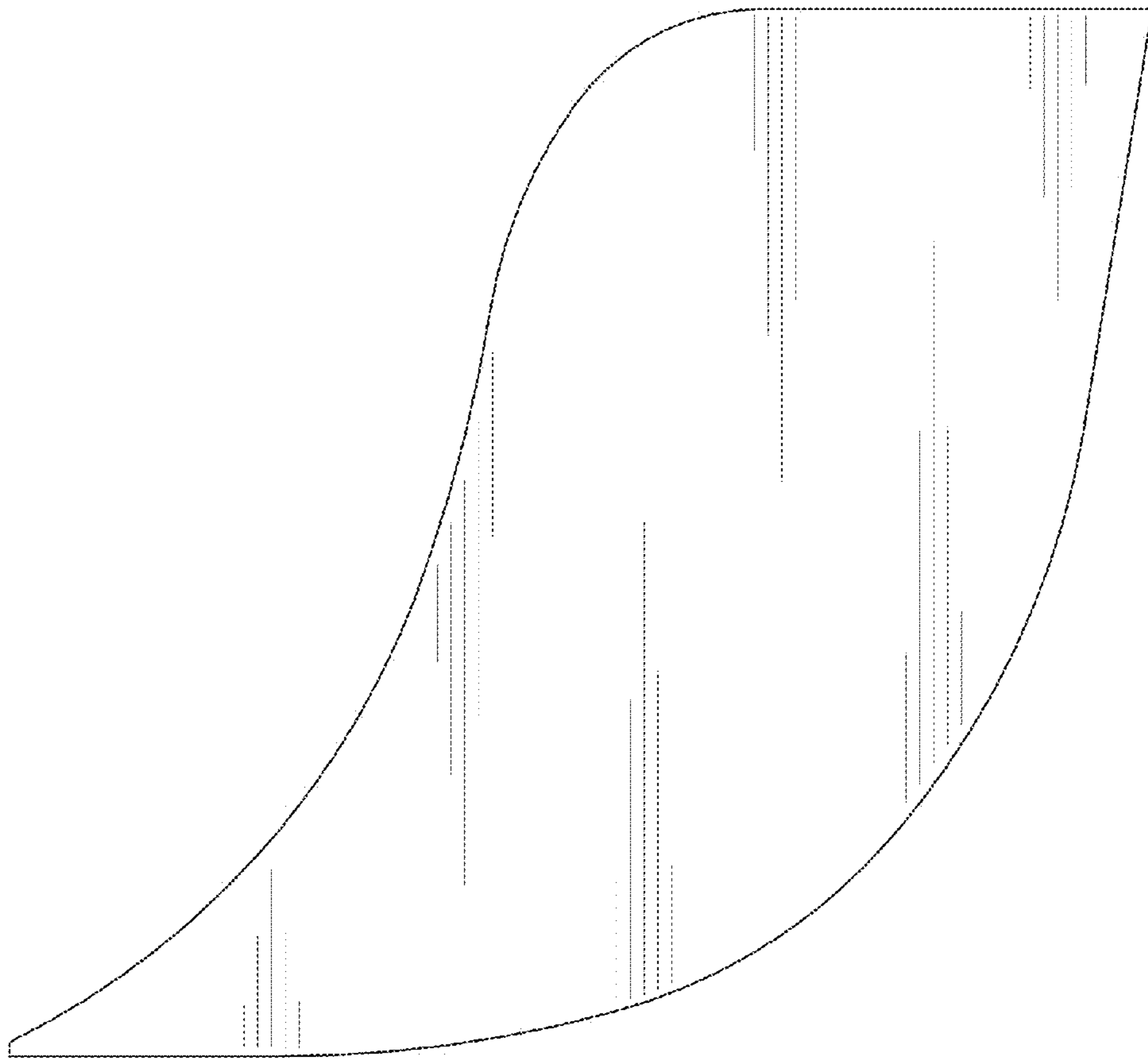


FIG. 4

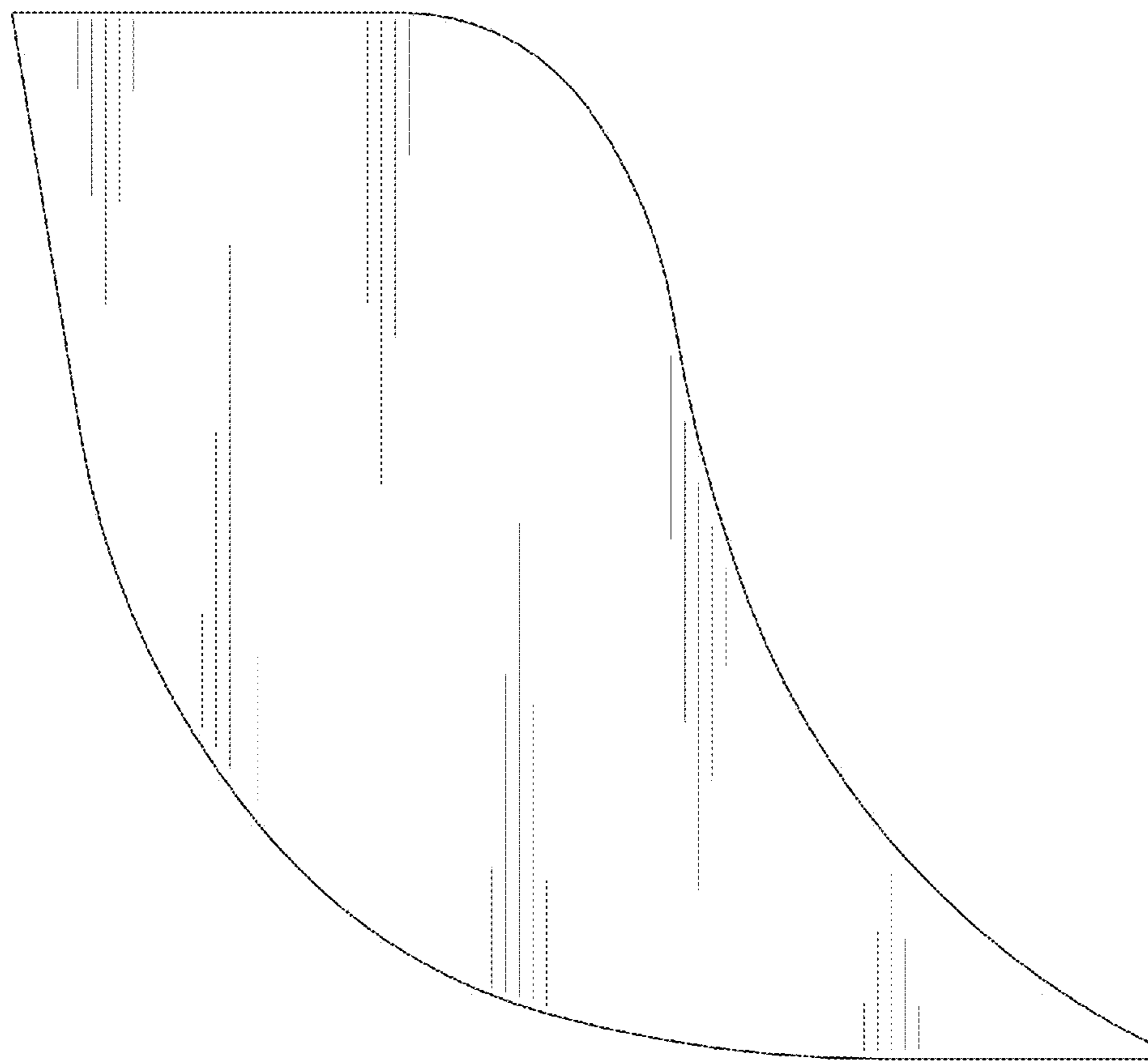


FIG. 5

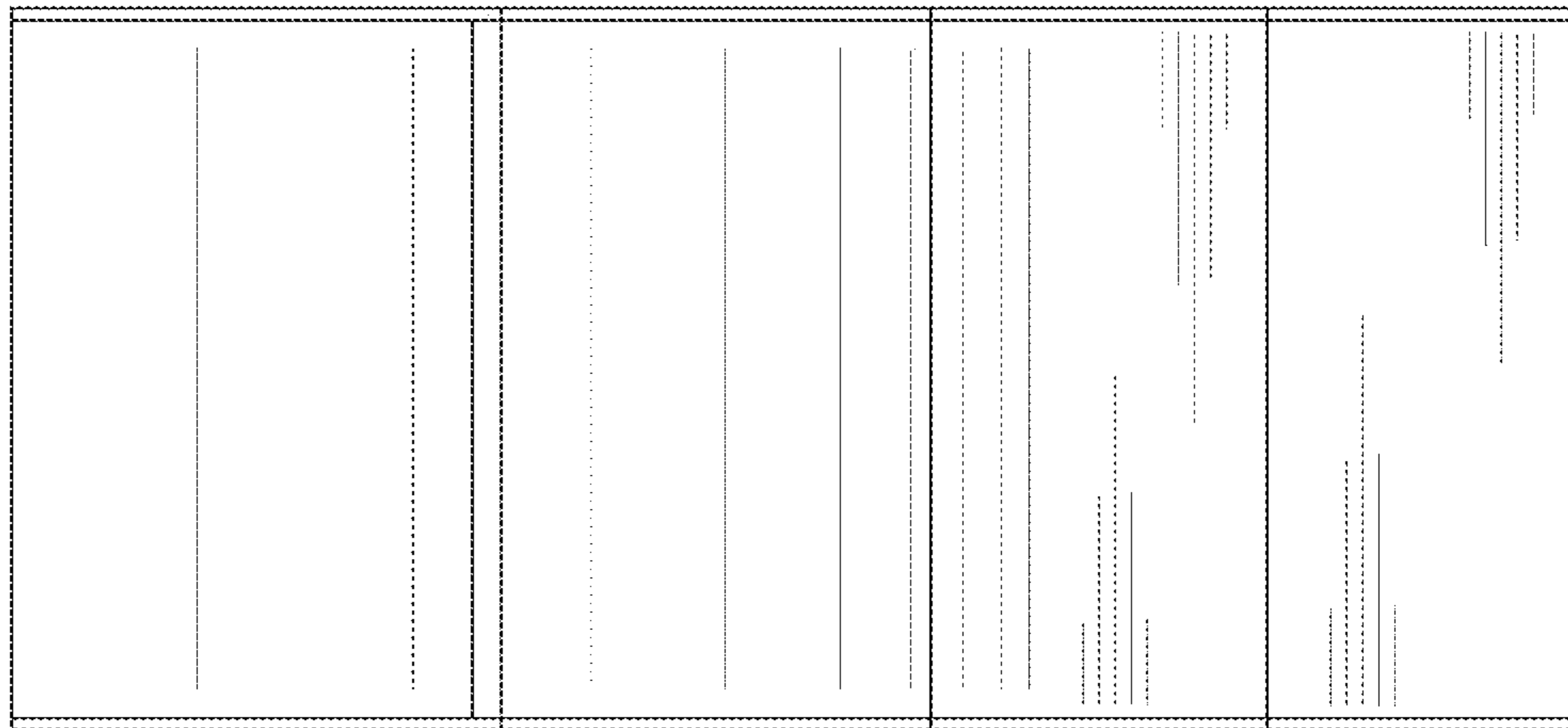


FIG. 6

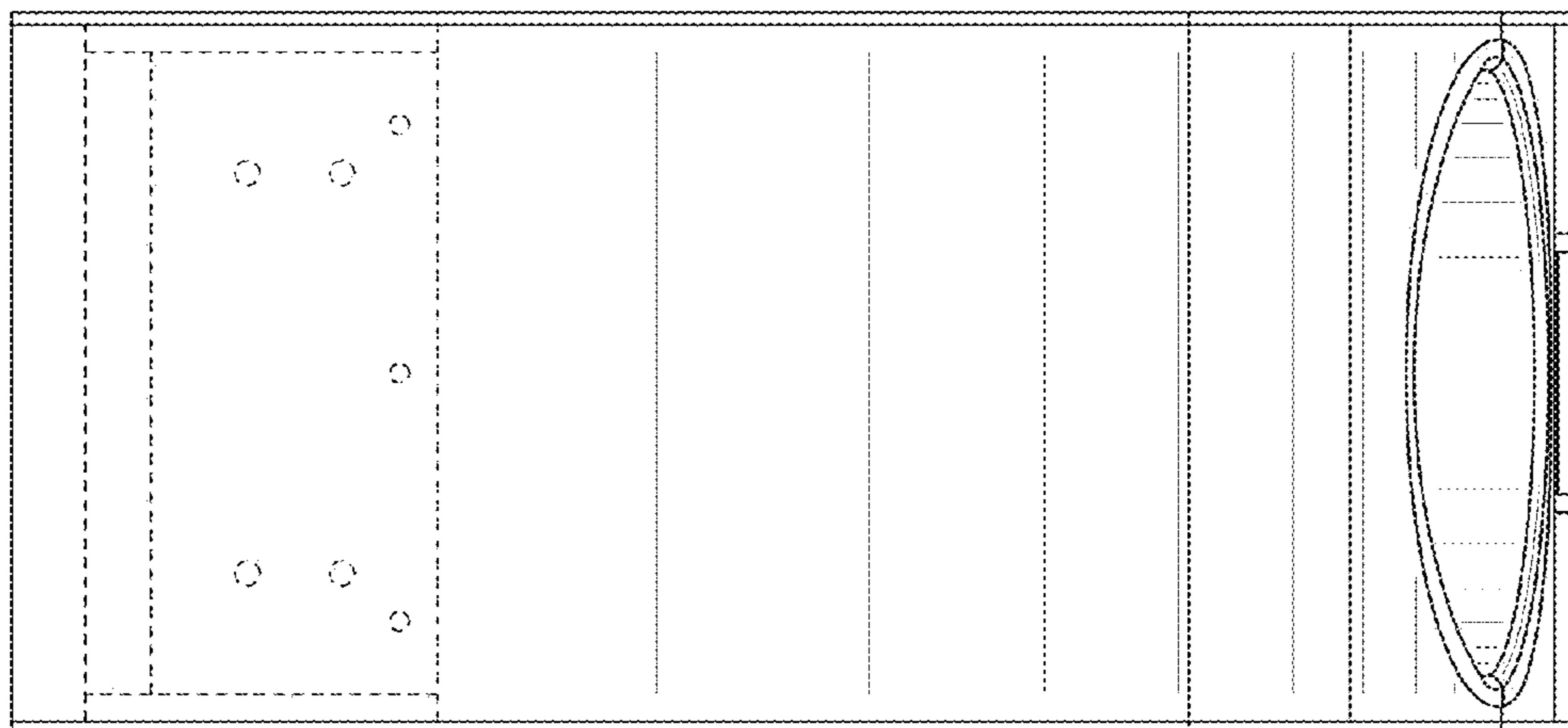


FIG. 7