



US00D763031S

(12) **United States Design Patent**
Liu

(10) **Patent No.:** **US D763,031 S**
(45) **Date of Patent:** **** Aug. 9, 2016**

(54) **BEVERAGE DISPENSING SYSTEM**

(71) Applicant: **Yang Liu**, Allen, TX (US)

(72) Inventor: **Yang Liu**, Allen, TX (US)

(**) Term: **14 Years**

(21) Appl. No.: **29/506,859**

(22) Filed: **Oct. 21, 2014**

(51) **LOC (10) Cl.** **07-01**

(52) **U.S. Cl.**
USPC **D7/307; D7/308**

(58) **Field of Classification Search**
USPC D7/306-311, 305, 300, 397, 398, 399,
D7/400; 99/279, 284, 290, 280, 299, 307,
99/297, 295, 323, 275, 281, 300; 426/433;
D20/4, 5, 1; D15/83; 222/183, 185.1
CPC A47J 31/44; A47J 31/00; A47J 31/46;
A47J 31/10; A47J 31/56; A47J 31/42; B65D
81/3266
See application file for complete search history.

(56) **References Cited**

U.S. PATENT DOCUMENTS

3,422,634	A *	1/1969	Harold	F25D 31/003 62/390
D217,074	S *	3/1970	Jonas	D15/83
D238,114	S *	12/1975	Jones	D7/308
D280,483	S *	9/1985	Schlesinger	D7/308
D299,391	S *	1/1989	Meehan	D15/83
D316,796	S *	5/1991	Kirschner	D7/311
D347,349	S *	5/1994	Burton	D7/300

5,335,829	A *	8/1994	Sovann	B67D 1/06 222/183
D351,965	S *	11/1994	Credle, Jr.	D7/300
D389,368	S *	1/1998	Parks	D7/307
D389,693	S *	1/1998	Hawkins, Jr.	D7/307
D491,581	S *	6/2004	Jang	D15/83
D501,489	S *	2/2005	Seo	D15/83
D551,259	S *	9/2007	Wilson	D15/79
D652,434	S *	1/2012	Sun	D15/83
D668,272	S *	10/2012	Ebelt	D15/80
D672,793	S *	12/2012	Tang	D15/83
D689,531	S *	9/2013	Gossens	D15/83

* cited by examiner

Primary Examiner — Marianne Pandozzi

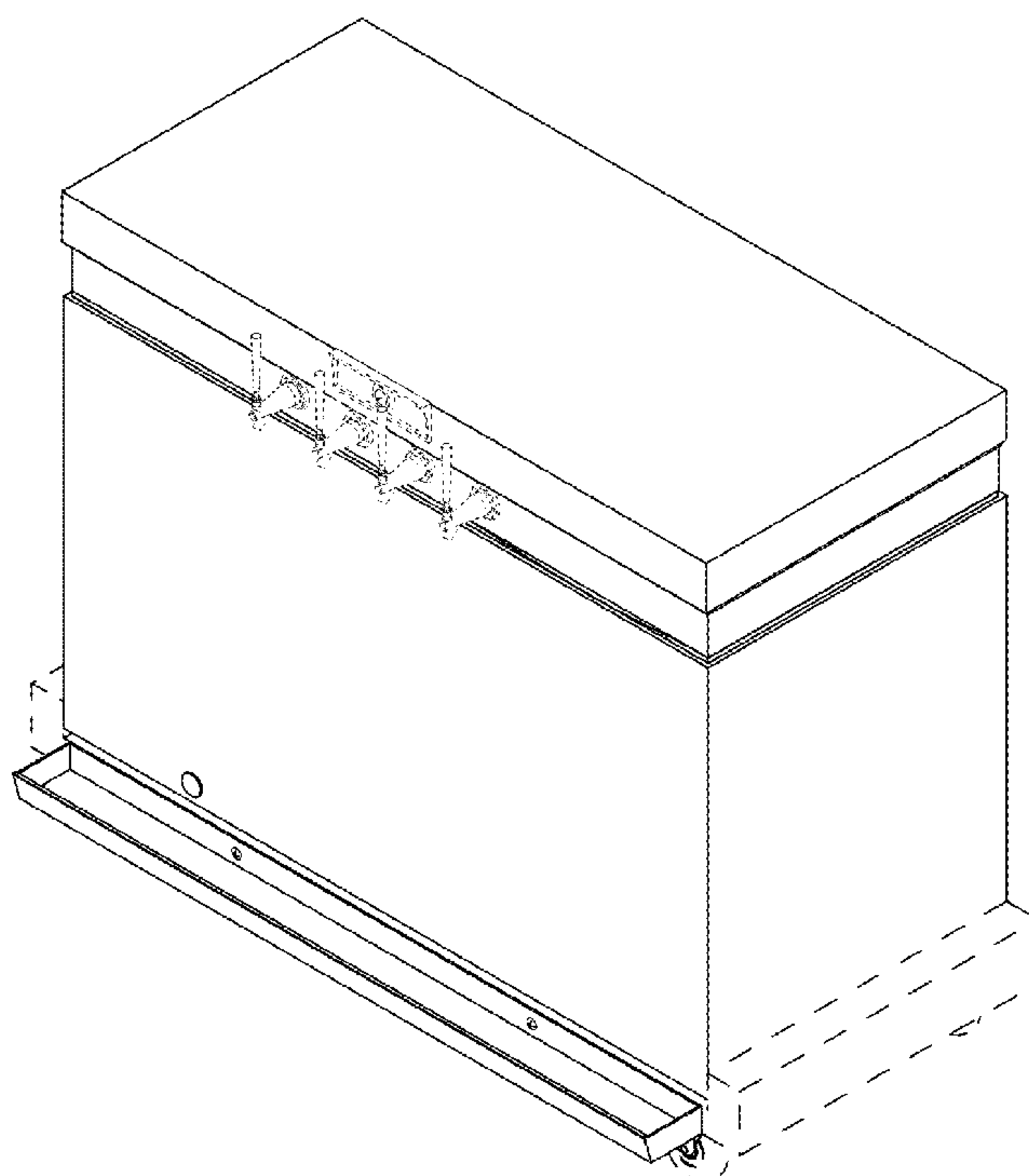
(57) **CLAIM**

The ornamental design for a beverage dispensing system, as shown and described.

DESCRIPTION

FIG. 1 is a perspective view of the beverage dispensing system showing my new design;
FIG. 2 is a perspective view thereof in open position;
FIG. 3 is another view of the beverage dispensing system;
FIG. 4 is a front view thereof;
FIG. 5 is a rear view thereof;
FIG. 6 is a left side view thereof.
FIG. 7 is a right side view thereof;
FIG. 8 is a top plan view thereof; and,
FIG. 9 is a bottom plan view thereof.
The broken lines depict portions of the beverage dispensing system that form no part of the claimed design.

1 Claim, 9 Drawing Sheets



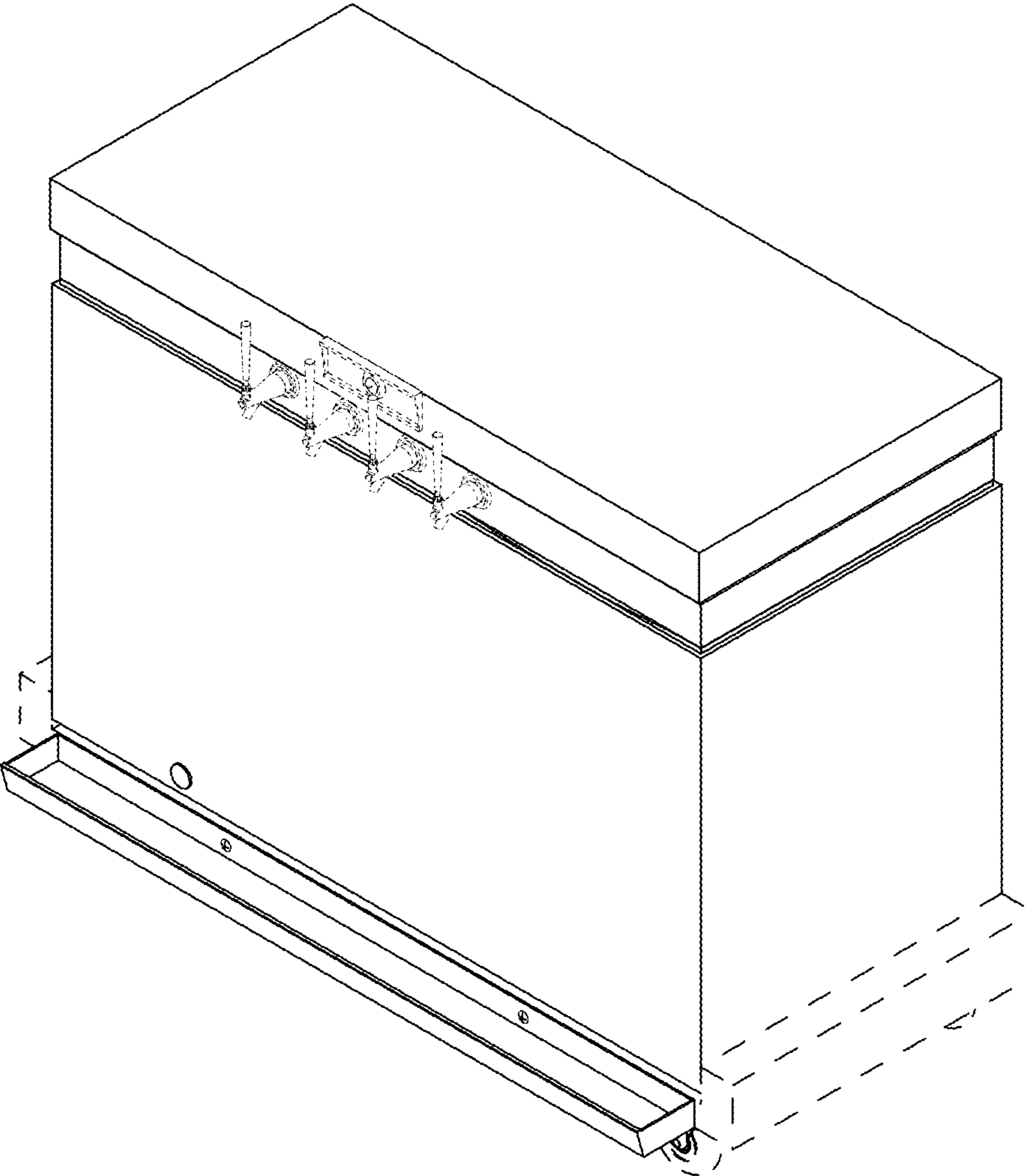


FIG. 1

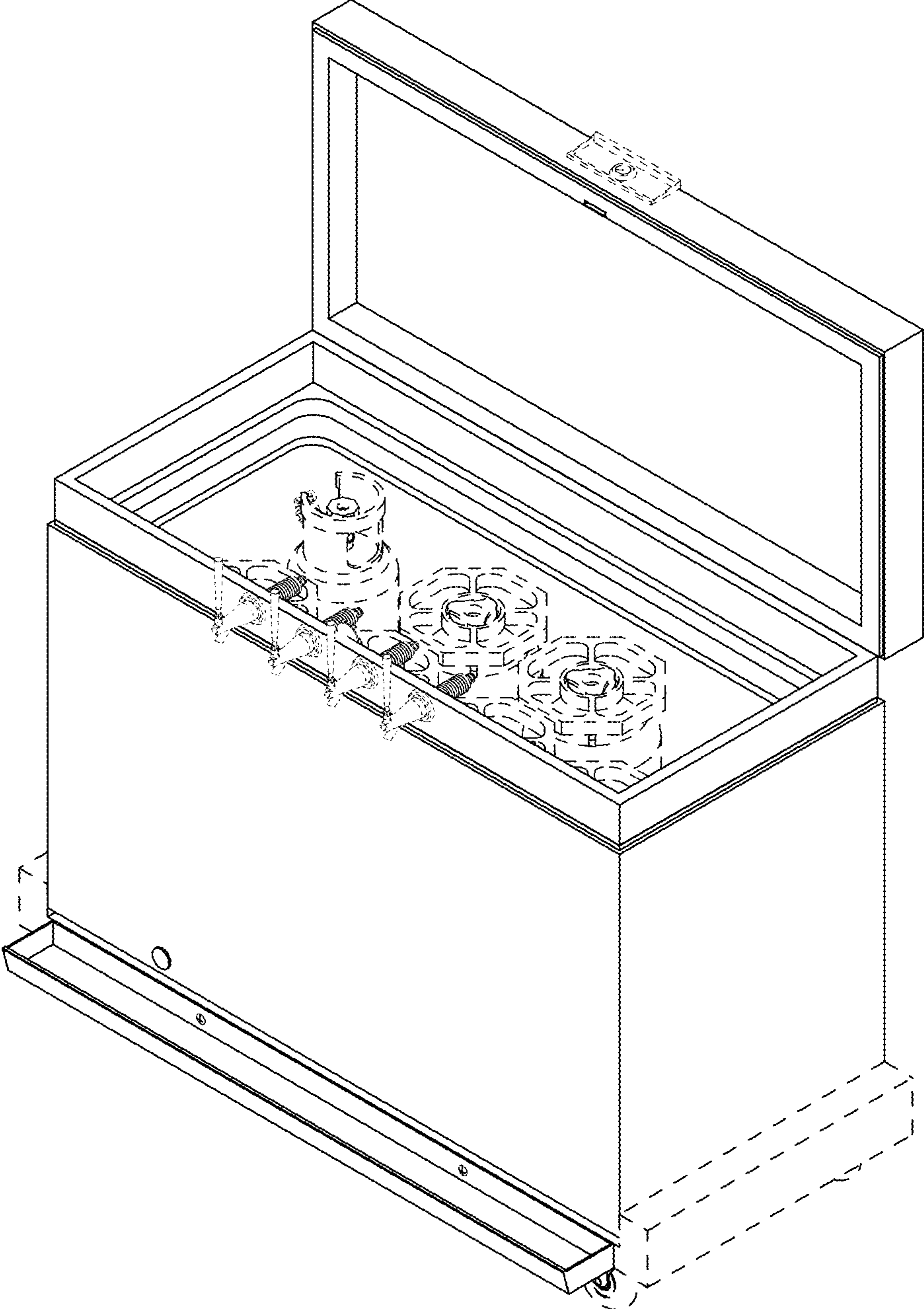


FIG. 2

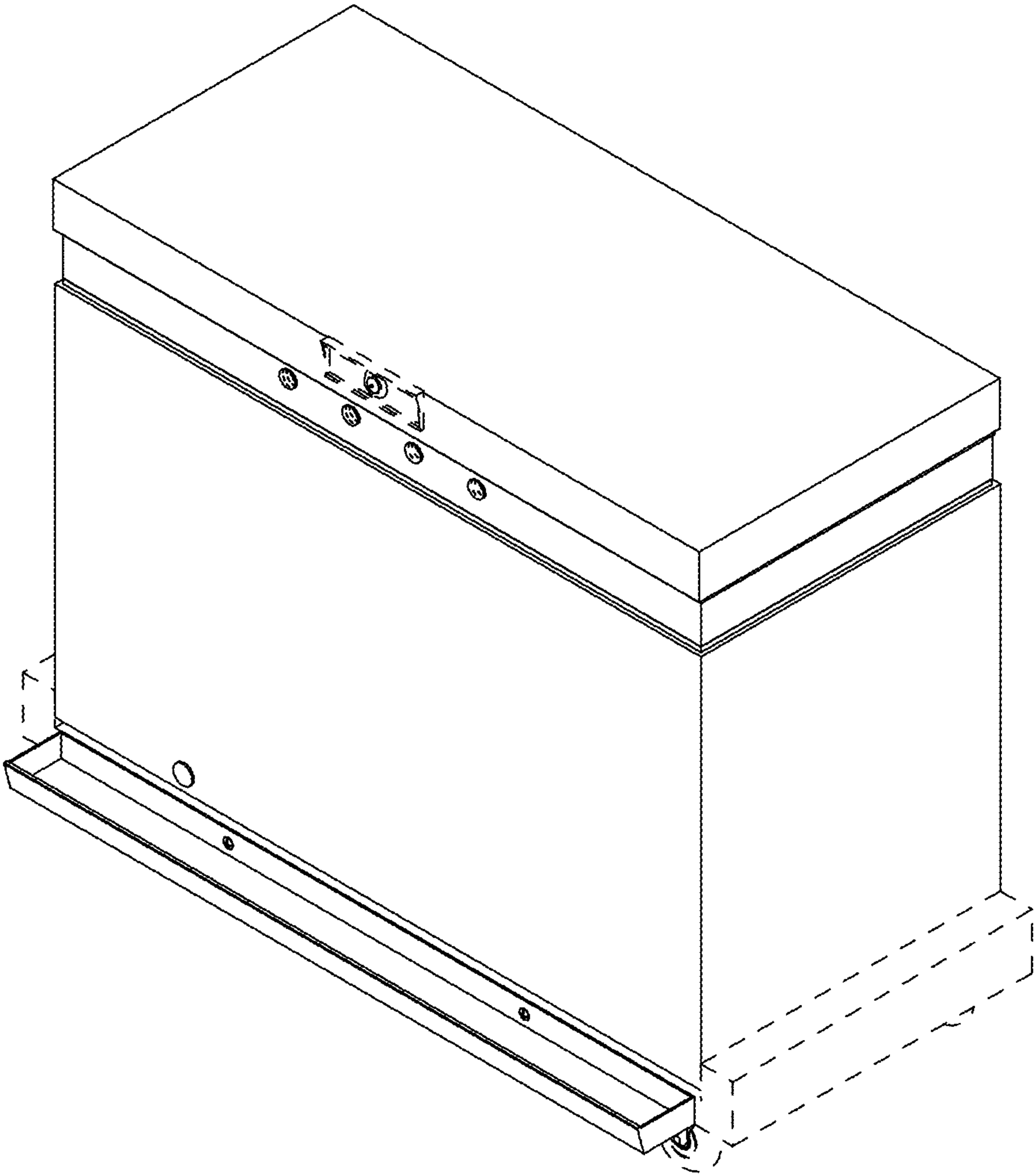


FIG. 3

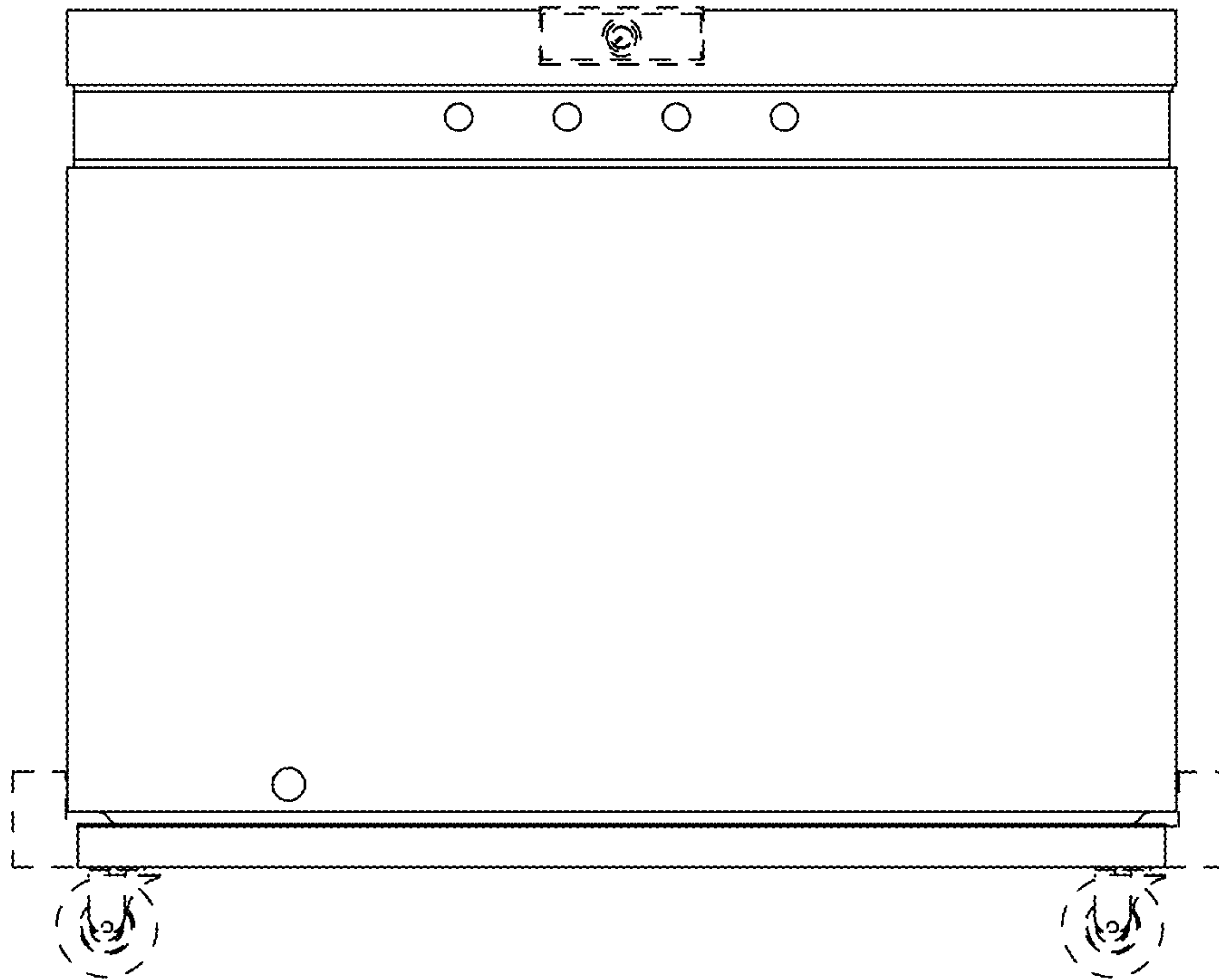


FIG. 4

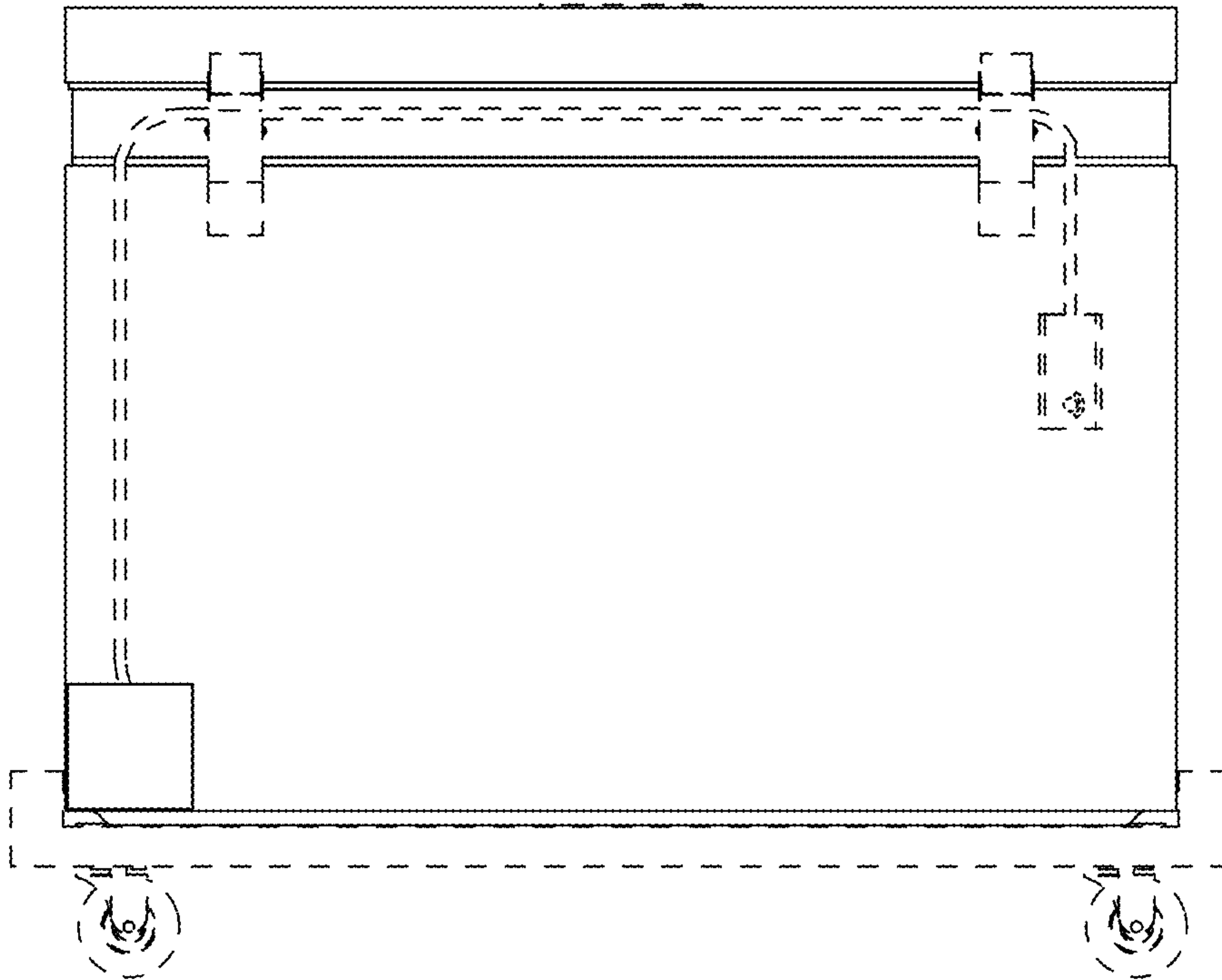


FIG. 5

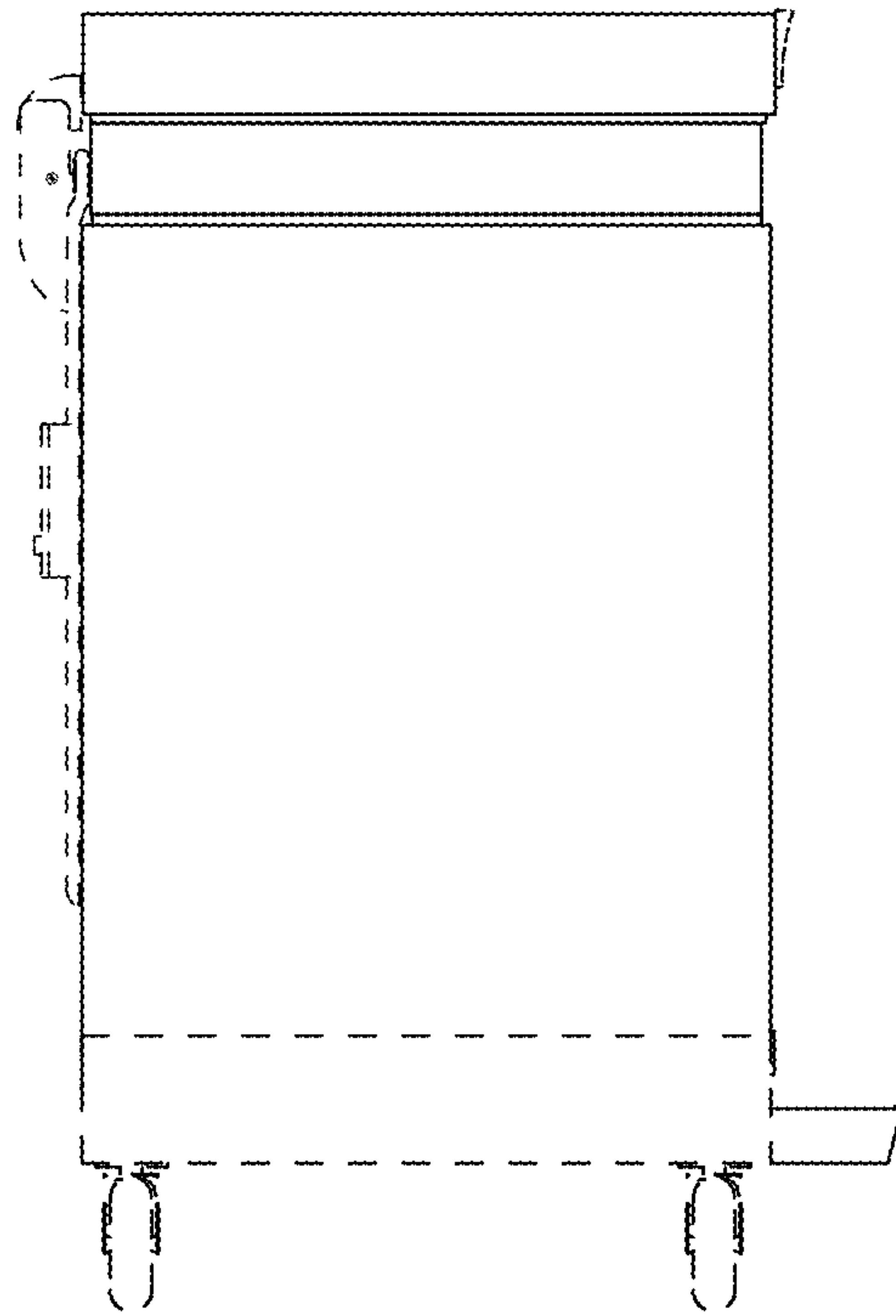


FIG. 6

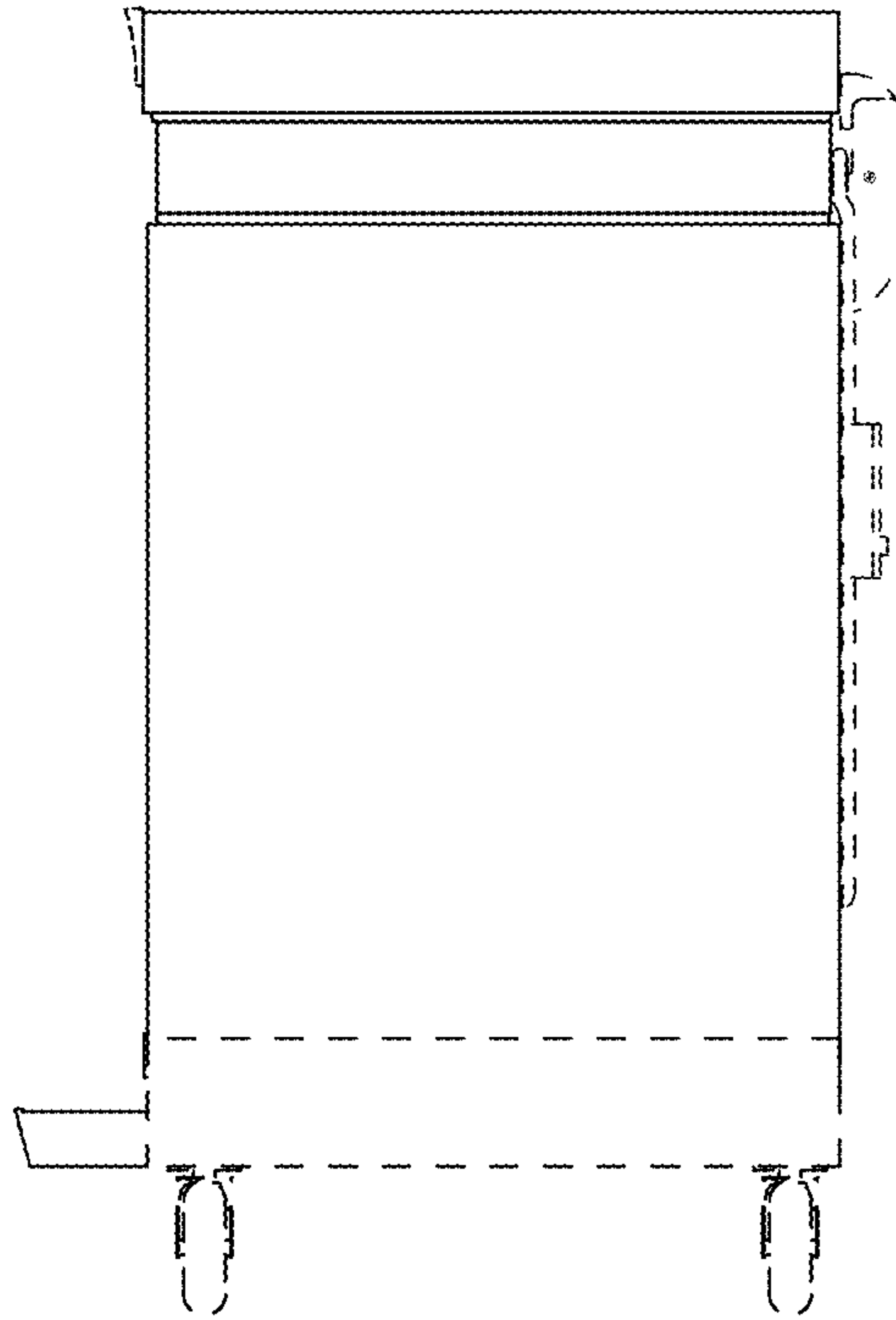


FIG. 7

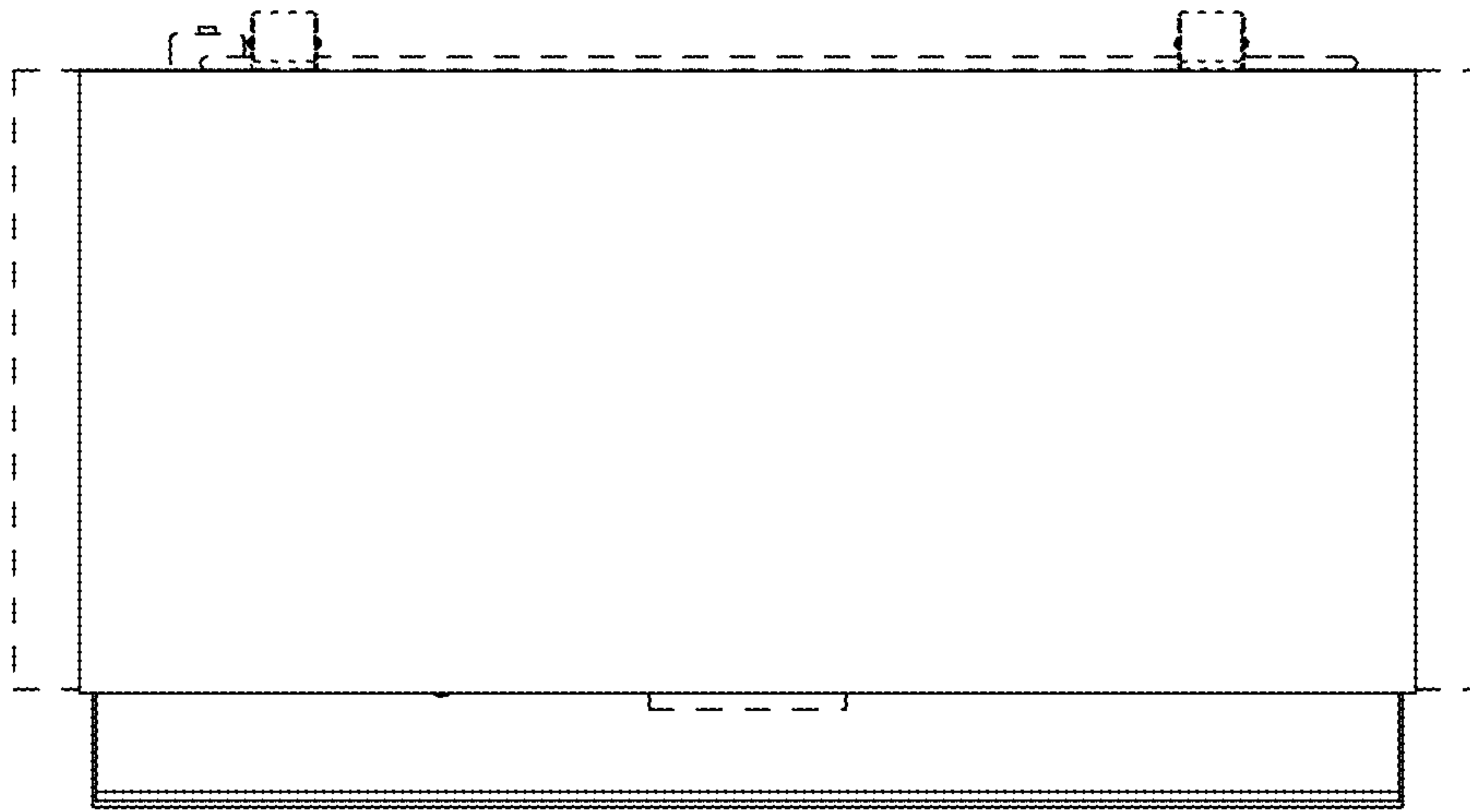


FIG. 8

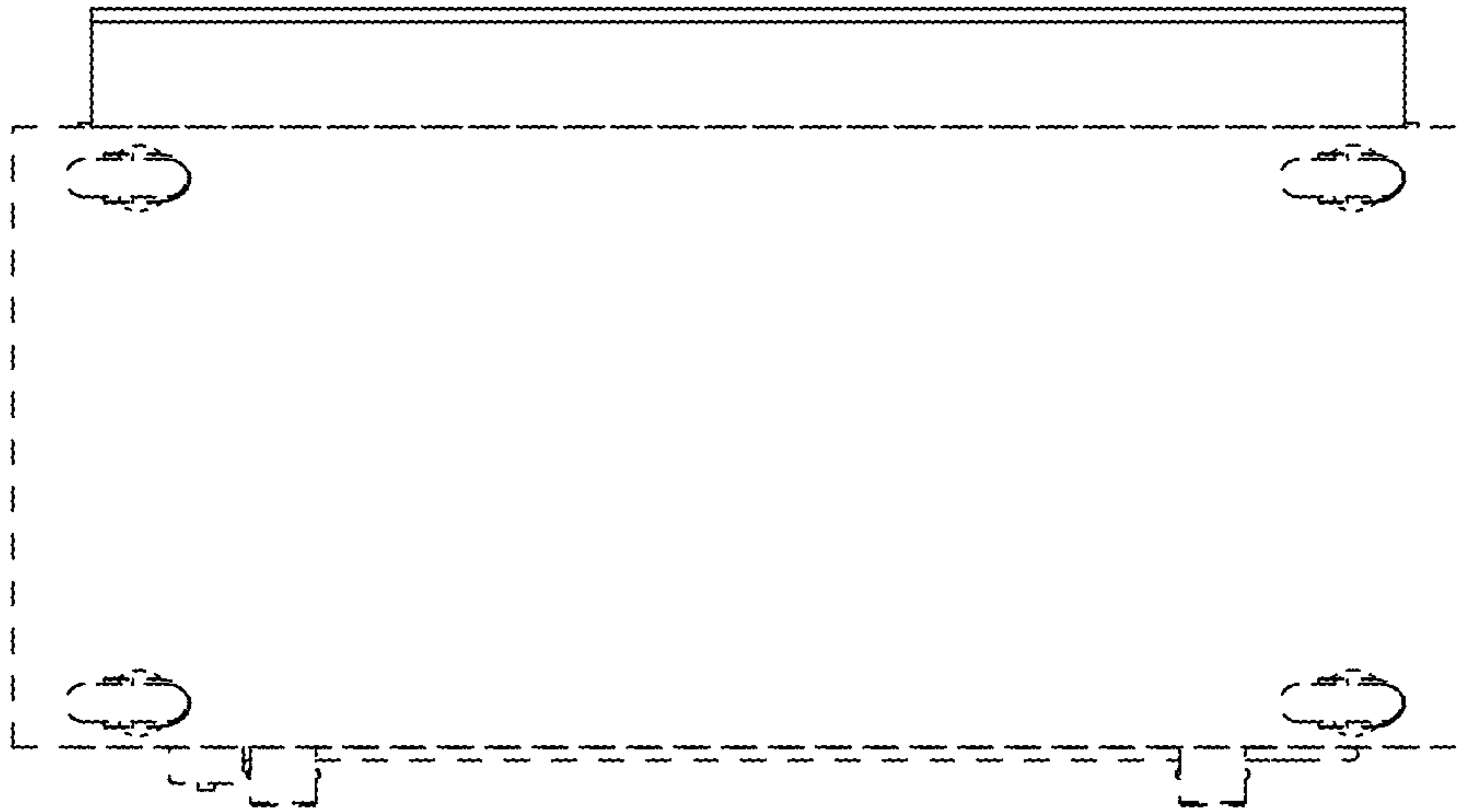


FIG. 9