



US00D763030S

(12) **United States Design Patent**  
**Priley et al.**

(10) **Patent No.:** **US D763,030 S**

(45) **Date of Patent:** **\*\* Aug. 9, 2016**

(54) **BREWABLE BEVERAGE MAKING MACHINE**

(71) Applicant: **Pangaea Labs Ltd.**, Fo Tan, N.T. (HK)

(72) Inventors: **Anthony Paul Priley**, Sacramento, CA (US); **Robert Felipe**, Miami, FL (US); **Robert Paul Schwartz**, Highland Park, IL (US)

(73) Assignee: **Pangaea Labs Ltd.**, Fo Tan, N.T. (HK)

(\*\*) Term: **14 Years**

(21) Appl. No.: **29/519,007**

(22) Filed: **Mar. 2, 2015**

(51) **LOC (10) Cl.** ..... **07-01**

(52) **U.S. Cl.**  
USPC ..... **D7/306; D7/311**

(58) **Field of Classification Search**  
USPC ..... D7/306-311, 305, 300, 313, 399, 398, D7/397; 99/279, 284, 290, 280, 299, 307, 99/305, 295, 308, 309, 383, 304, 323.1, 99/395, 300; 222/23, 129.1; 62/395; D20/1; D23/207, 209; D15/89; D13/162, 164  
CPC ..... A47J 31/44; A47J 31/00; A47J 31/407; B67D 1/0041; B67D 3/00

See application file for complete search history.

(56) **References Cited**

U.S. PATENT DOCUMENTS

D582,714	S	*	12/2008	Hensel	.....	D7/309
D604,985	S	*	12/2009	Taylor	.....	D7/309
D634,963	S	*	3/2011	Romandy	.....	D7/306
D649,390	S	*	11/2011	Santoiemmo	.....	D7/306
D702,984	S	*	4/2014	Hanneson	.....	D7/306
D709,722	S	*	7/2014	Luippold	.....	D7/305
D718,565	S	*	12/2014	Spagnolo	.....	D7/309
D738,149	S	*	9/2015	Ye	.....	D7/306
D738,668	S	*	9/2015	Buttler	.....	D7/309
2015/0173563	A1	*	6/2015	Priley	.....	A47J 31/407 426/425

\* cited by examiner

*Primary Examiner* — Marianne Pandozzi

(74) *Attorney, Agent, or Firm* — Richard M. Goldberg

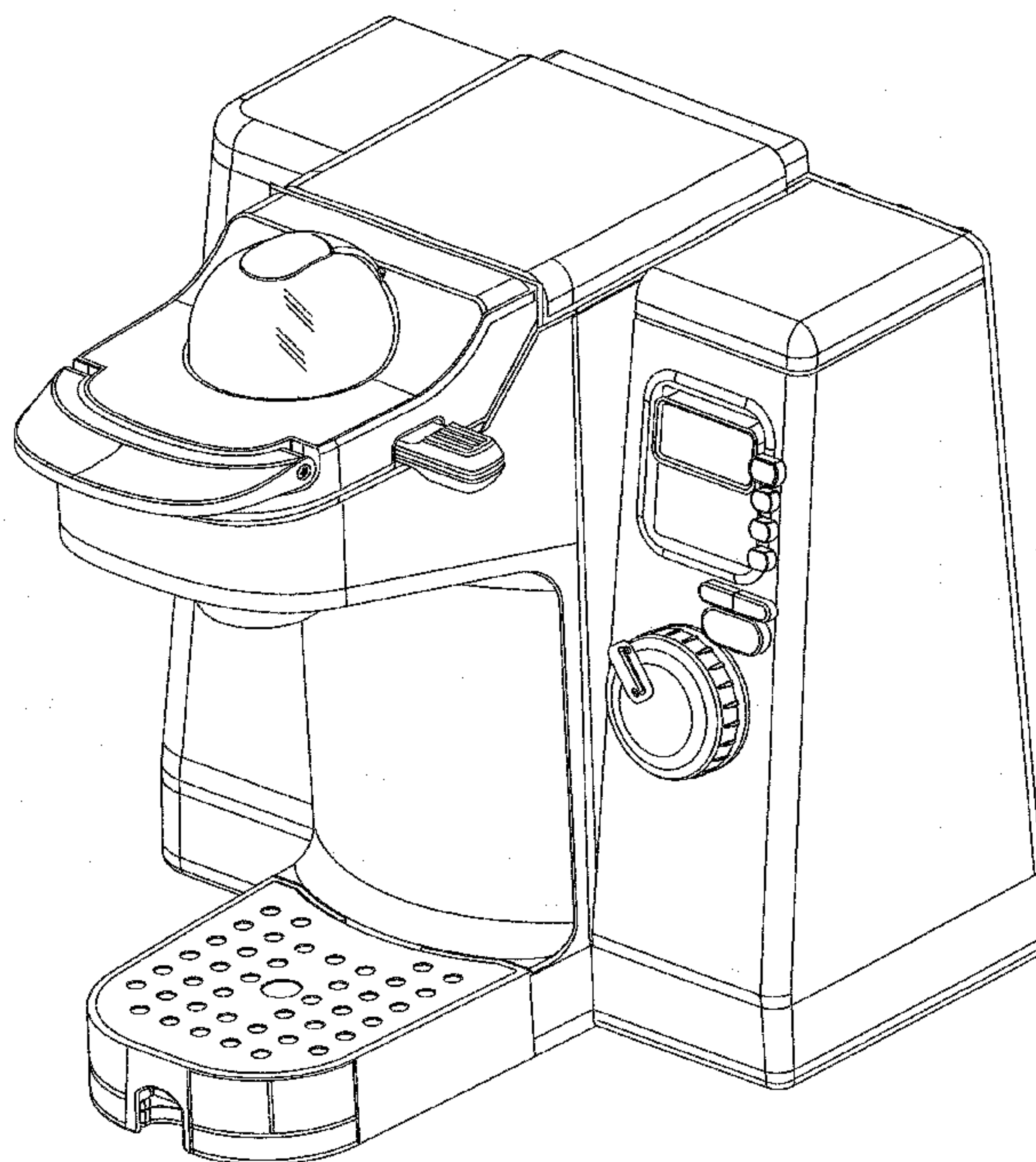
(57) **CLAIM**

The ornamental design for a brewable beverage making machine, as shown and described.

**DESCRIPTION**

FIG. 1 is a front, top perspective view of the brewable beverage making machine of our design, with the top lid having a transparent dome in a closed position; FIG. 2 is a front elevational view thereof; FIG. 3 is a right side elevational view thereof; FIG. 4 is a left side elevational perspective view thereof; FIG. 5 is a top plan view thereof; FIG. 6 is a bottom plan view thereof; and FIG. 7 is a rear elevational view thereof; and, FIG. 8 is a front, top perspective view thereof, with the top lid having a transparent dome in an opened position and thereby showing the transparent dome of the tea chamber.

**1 Claim, 8 Drawing Sheets**



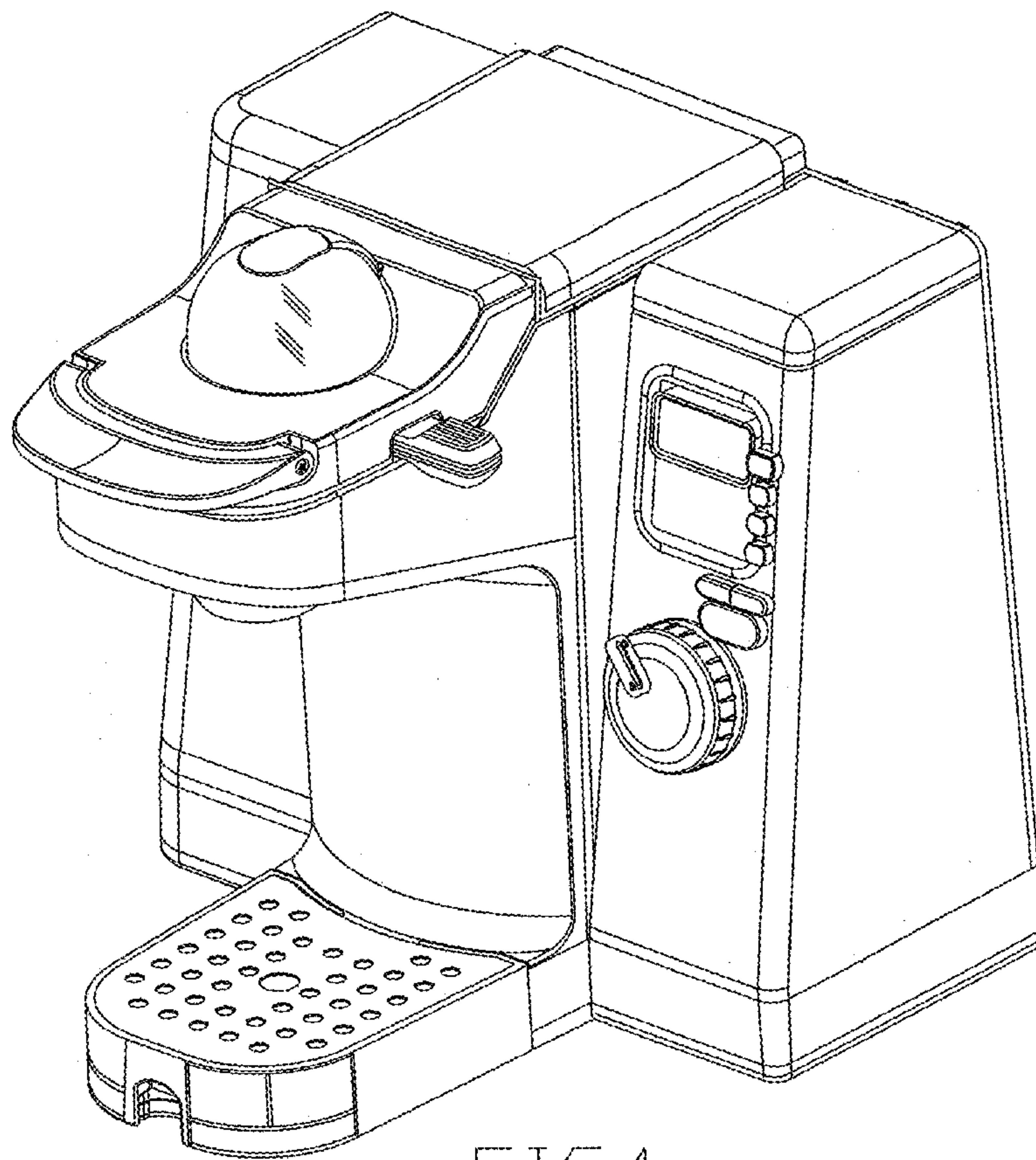


FIG. 1

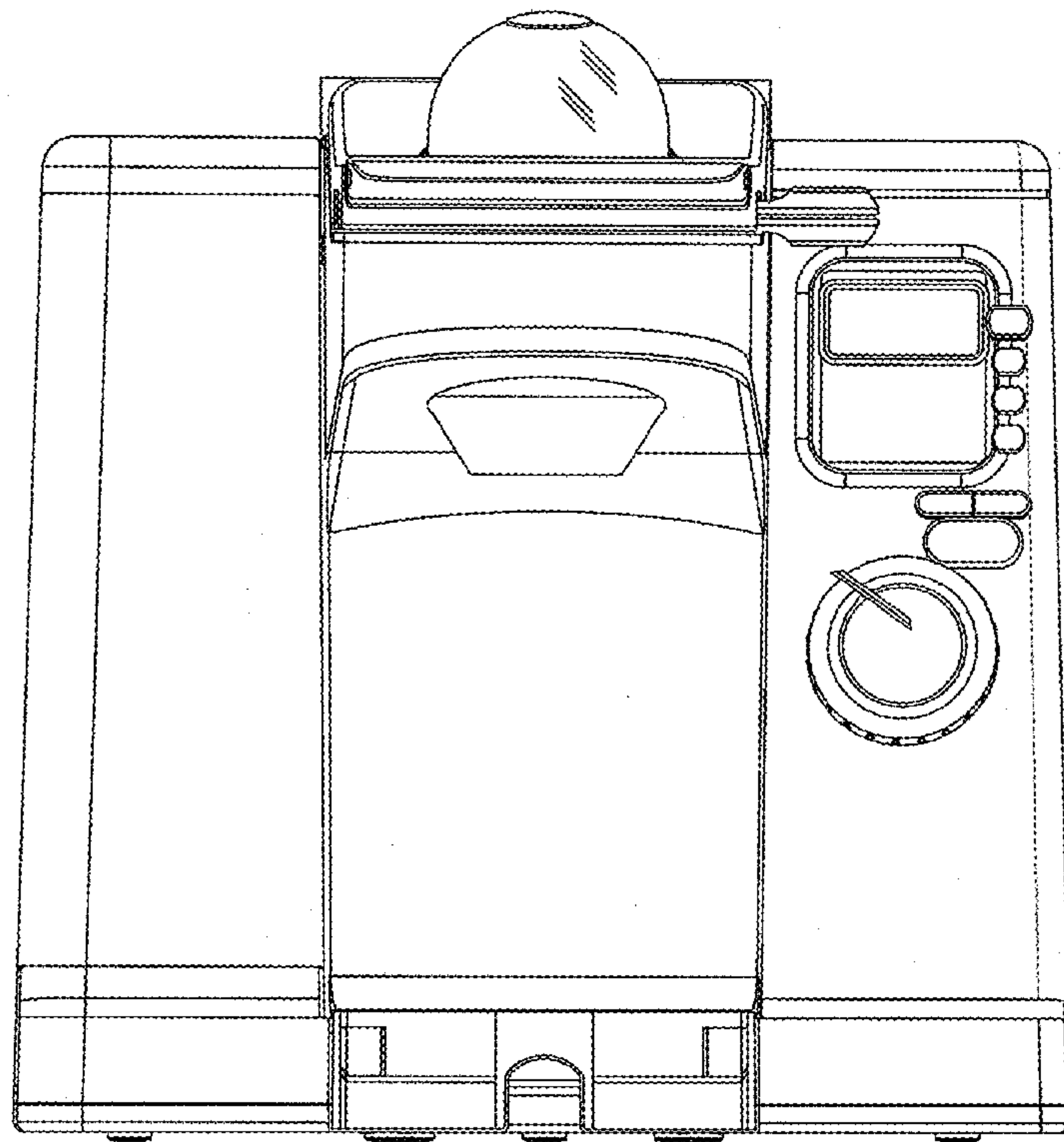


FIG. 2

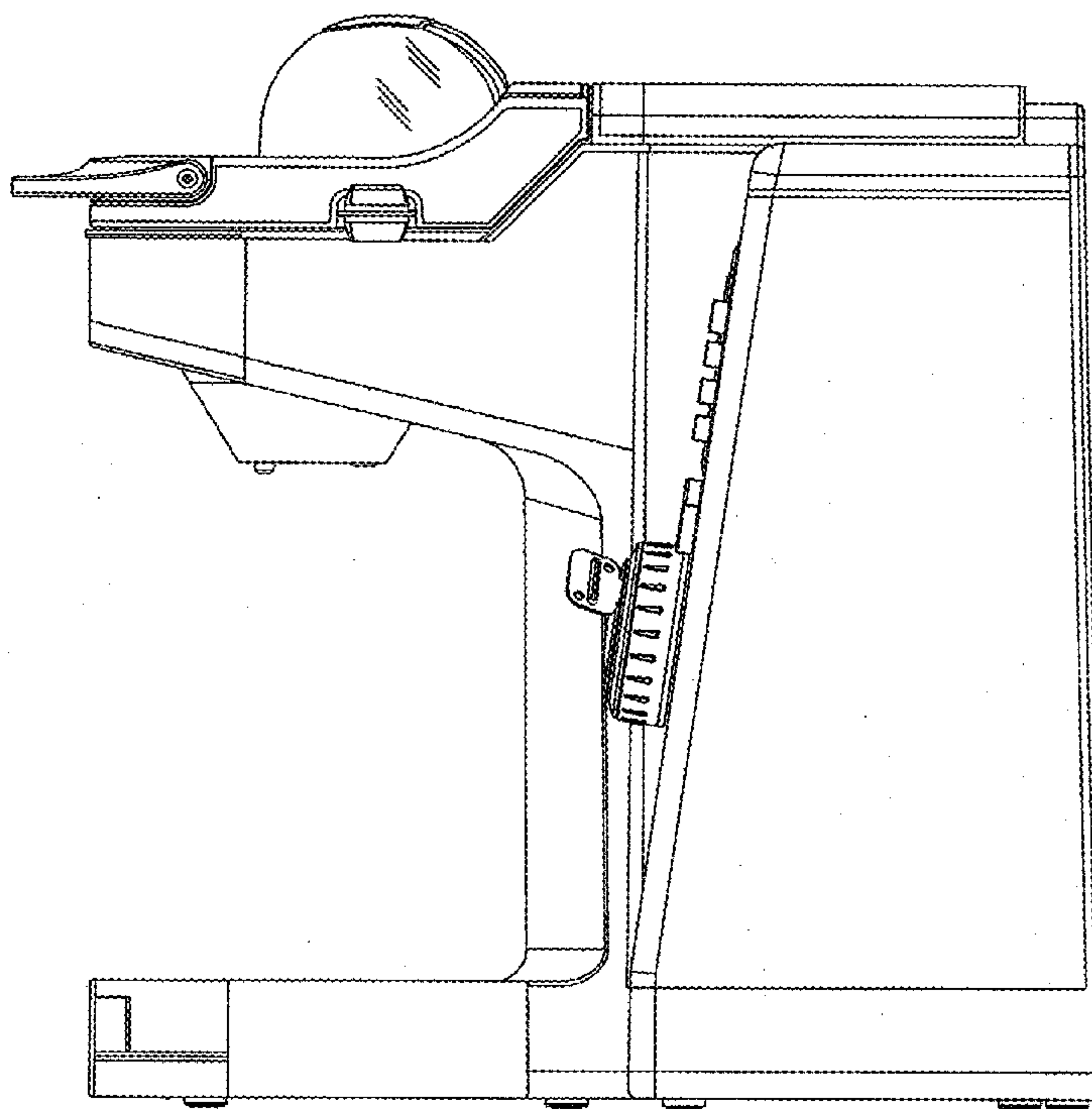


FIG. 3

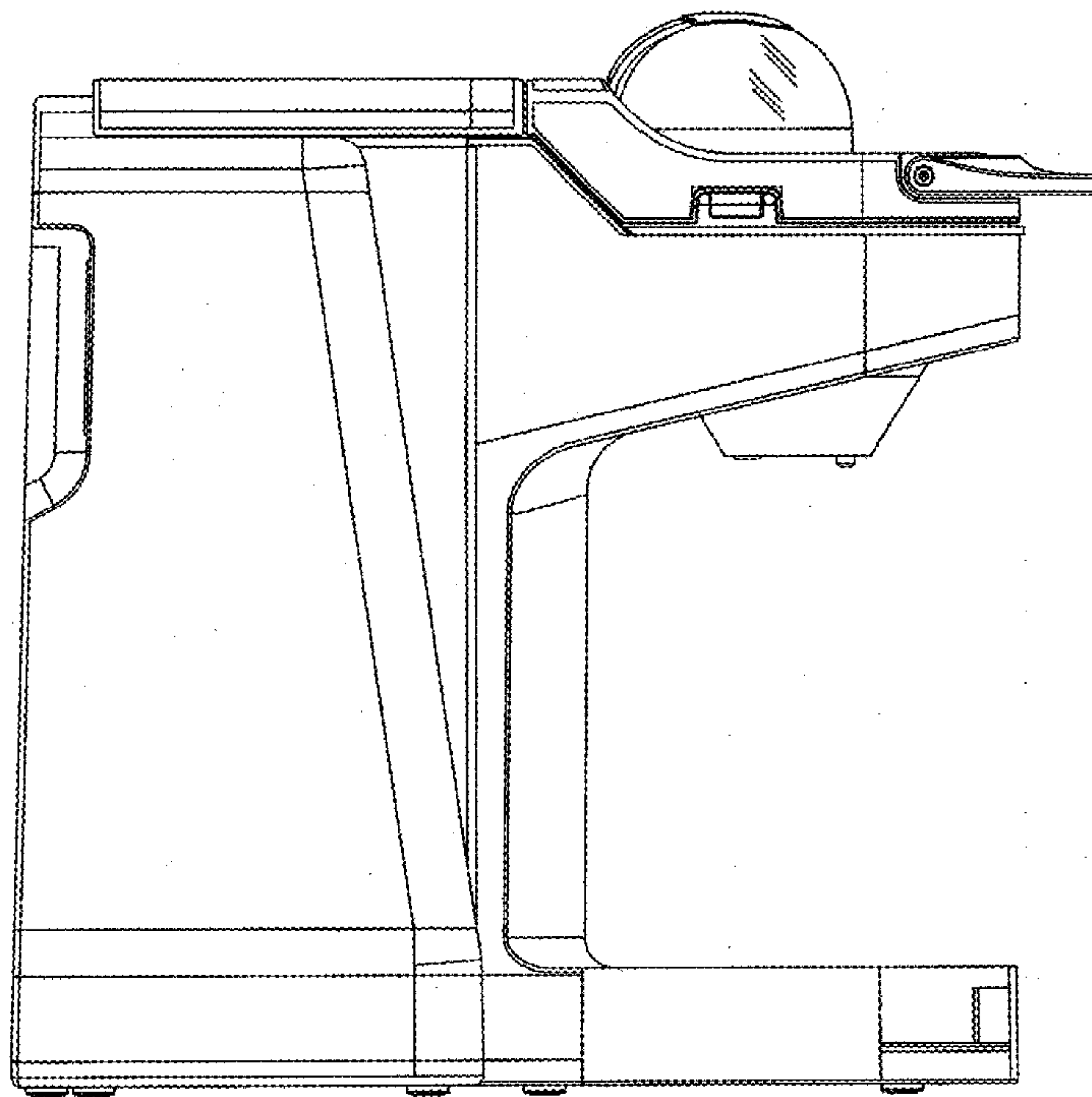
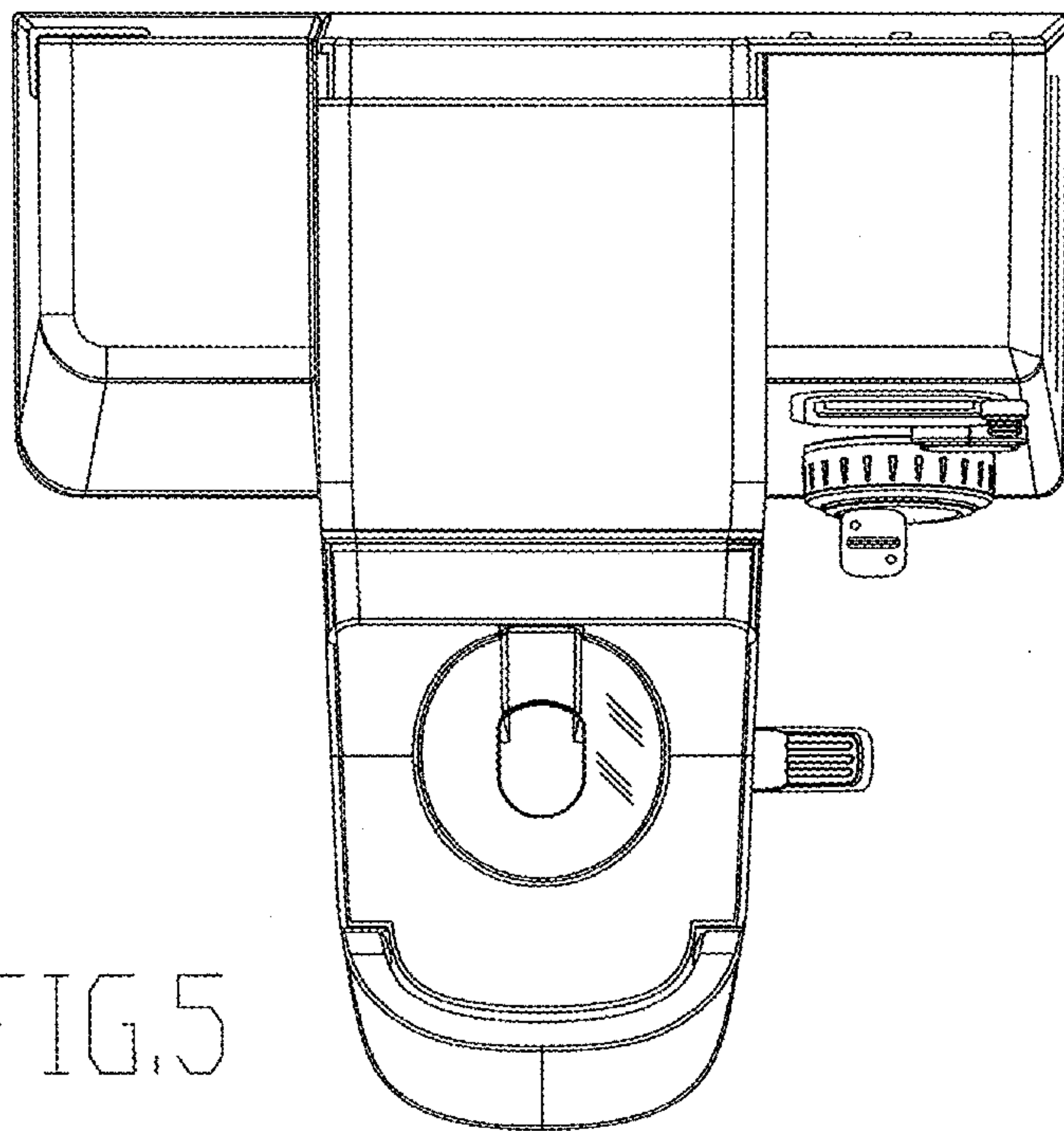


FIG.4





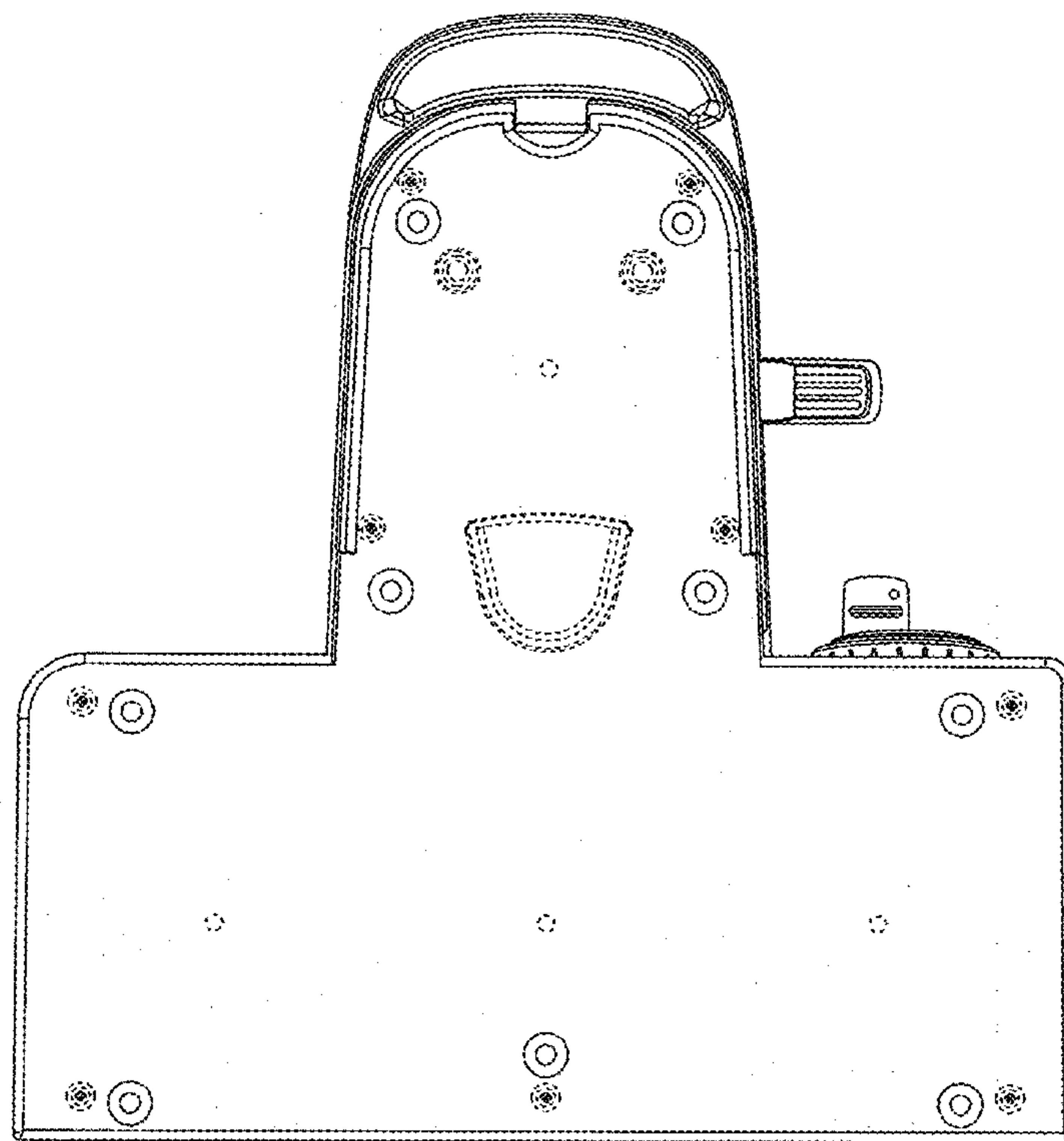


FIG. 6

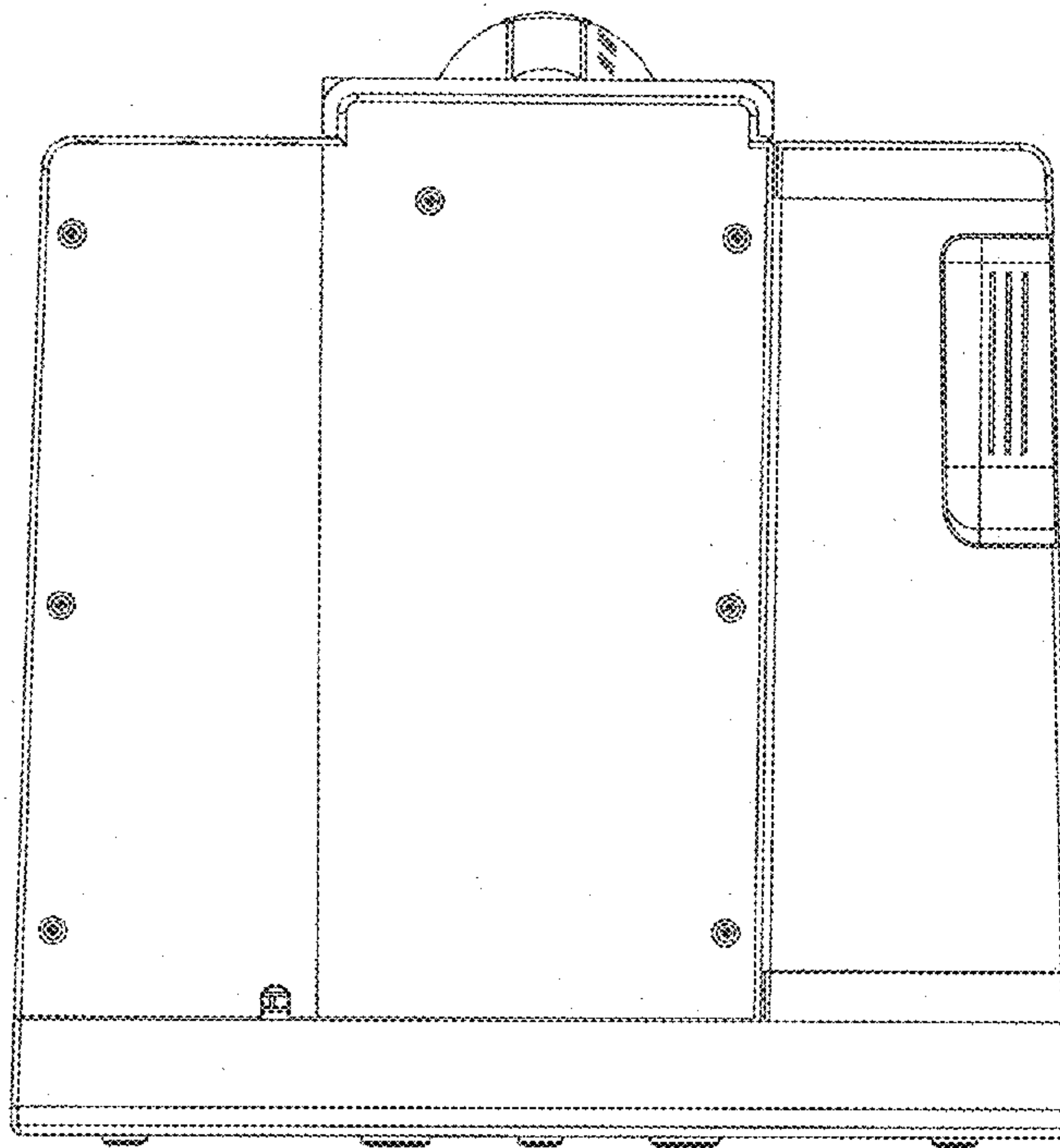


FIG. 7



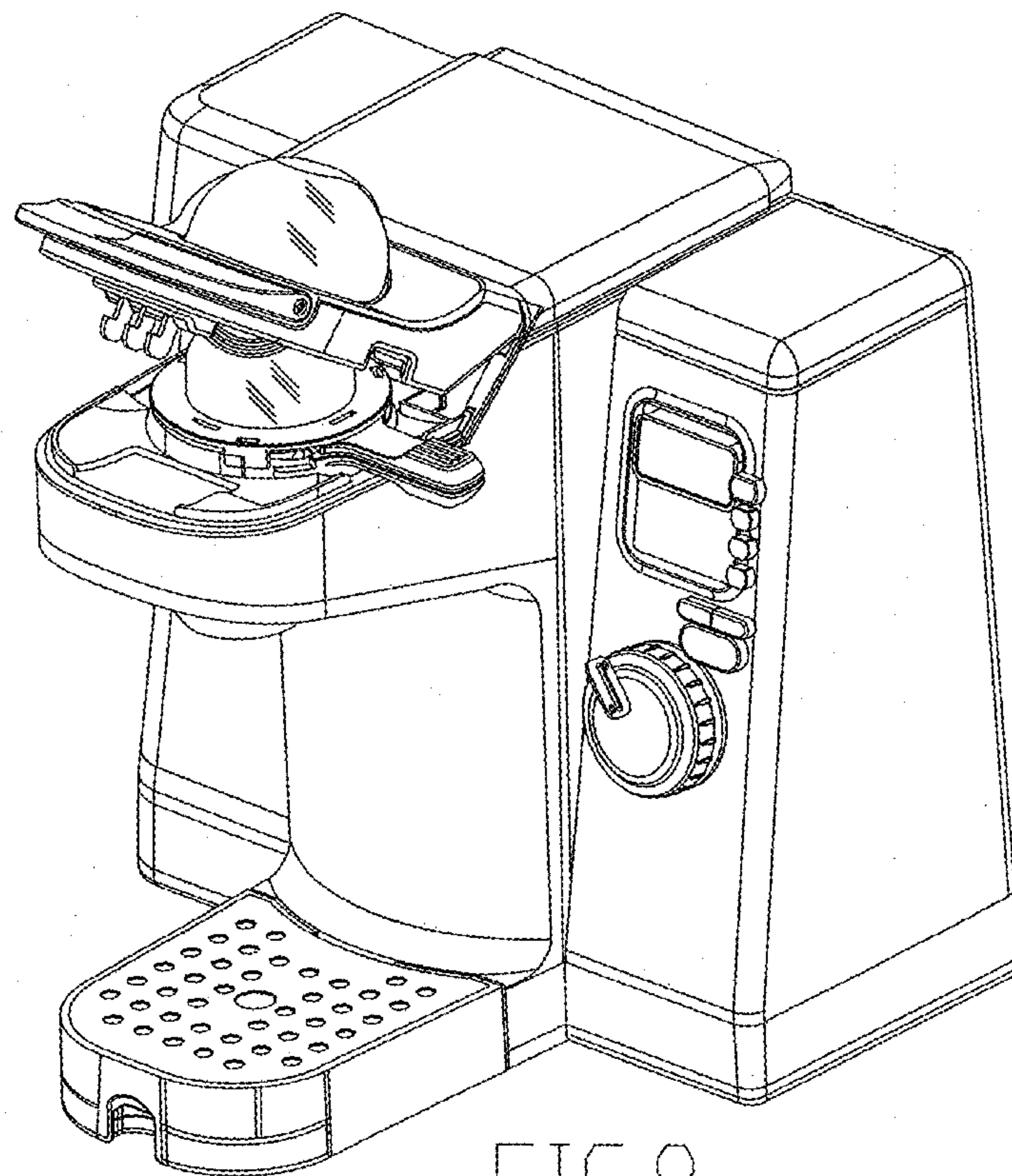


FIG. 8