

US00D763024S

(12) **United States Design Patent**
Hsu

(10) **Patent No.:** **US D763,024 S**
(45) **Date of Patent:** **** Aug. 9, 2016**

(54) **ORGANIZER**

(71) Applicant: **Lihan Hsu**, Torrance, CA (US)

(72) Inventor: **Lihan Hsu**, Torrance, CA (US)

(73) Assignee: **Seville Classics Inc.**, Torrance, CA (US)

(**) Term: **14 Years**

(21) Appl. No.: **29/491,355**

(22) Filed: **May 20, 2014**

2,305,629 A	12/1942	Magnuson	
2,516,088 A	7/1950	Einhorn	
2,677,483 A *	5/1954	Shaw	A47B 88/06
			15/DIG. 9
2,680,522 A	6/1954	Temple	
2,714,540 A	8/1955	Diehm	
2,913,128 A	11/1959	Milner	
2,958,424 A	11/1960	Bigatti	
3,042,221 A	7/1962	Rasmussen	
3,083,836 A	4/1963	Bussemer	
3,113,400 A	12/1963	Emond	
3,146,734 A	9/1964	Kesilman et al.	
3,252,434 A	5/1966	Young, Jr.	
3,266,635 A	8/1966	McConnell	
3,285,428 A	11/1966	Scheck	
3,349,924 A	10/1967	Maurer	
3,463,325 A	8/1969	Rogers et al.	
D215,773 S	10/1969	Maslow	
3,559,339 A	2/1971	Worley	
3,722,431 A	3/1973	Howard	
3,840,243 A	10/1974	Rheinhart et al.	
3,977,689 A	8/1976	Rosa	
4,078,664 A	3/1978	McConnell	

Related U.S. Application Data

(63) Continuation-in-part of application No. 29/470,477, filed on Oct. 22, 2013, now Pat. No. Des. 709,719.

(51) **LOC (10) Cl.** **06-06**

(52) **U.S. Cl.**
USPC **D6/683.1**

(58) **Field of Classification Search**
USPC D6/408, 509-511, 462-465, 566-567, D6/569-572, 574, 672, 675, 675.5, 682, D6/682.2, 682.4, 683-683.1; 211/59.2-59.3, 90.03, 85.31, 85.26, 211/126.5, 126.9, 134, 153, 186-188, 181.1
CPC A47F 7/0014; A47F 7/0035; A47F 7/16
See application file for complete search history.

(56) **References Cited**

U.S. PATENT DOCUMENTS

222,542 A	12/1879	Stearns	
253,641 A	2/1882	Wold	
638,417 A	12/1899	Miller	
921,694 A	5/1909	Hall	
1,573,844 A	2/1926	Marvin	
1,578,248 A	3/1926	Ackerman	
1,862,609 A *	6/1932	Shaw	B65D 21/0213
			206/509

(Continued)

Primary Examiner — Kelley Donnelly

(74) *Attorney, Agent, or Firm* — Raymond Sun

(57) **CLAIM**

The ornamental design for an organizer, as shown and described.

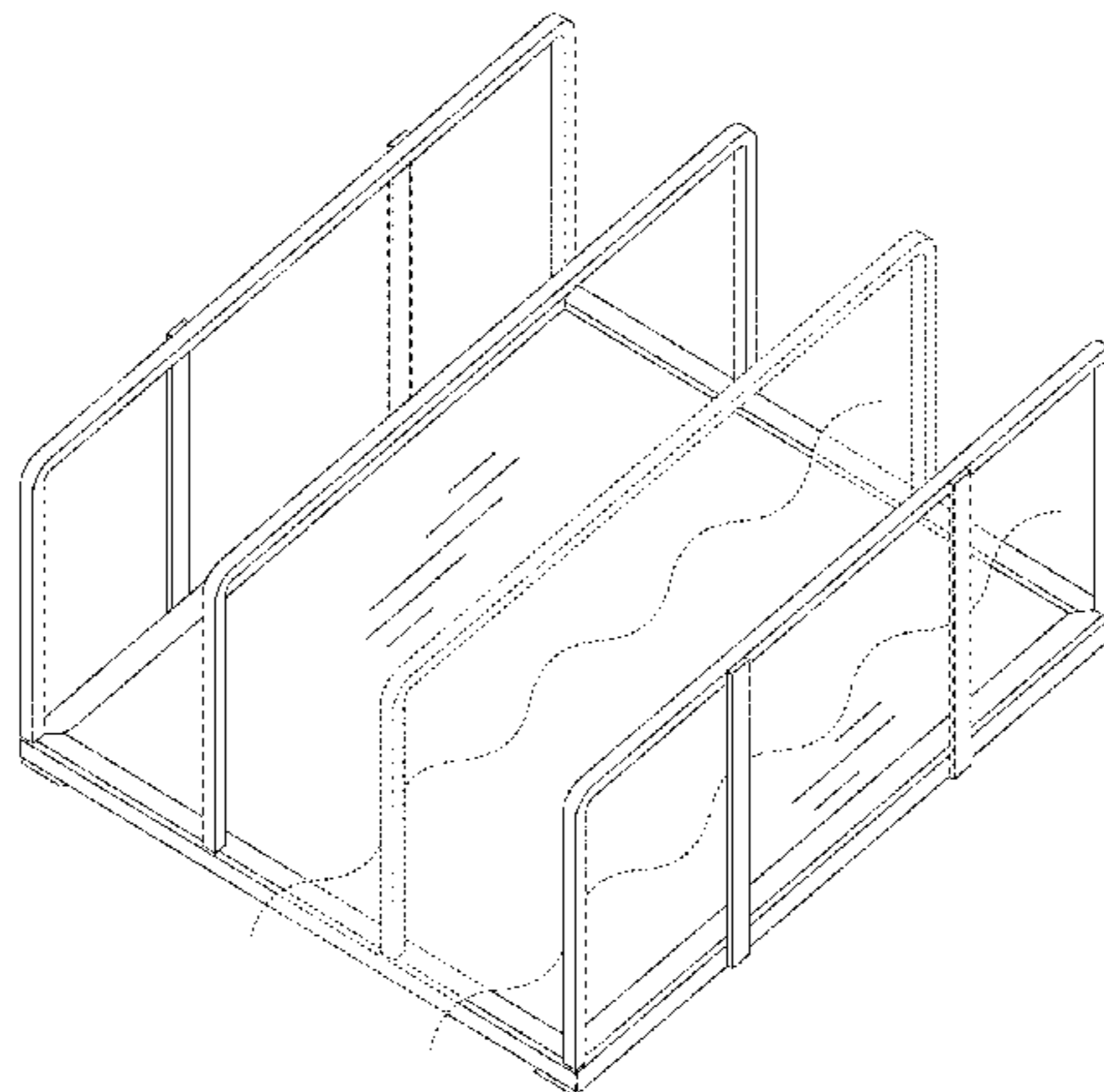
DESCRIPTION

FIG. 1 is a perspective view of an organizer showing my new design;
FIG. 2 is a front plan view thereof;
FIG. 3 is a left plan view thereof;
FIG. 4 is a right plan view thereof;
FIG. 5 is a top plan view thereof;
FIG. 6 is a bottom plan view thereof; and,
FIG. 7 is a rear plan view thereof.

The broken lines in the drawings form no part of the claimed design.

The wavy break lines shown in FIGS. 1, 3, 4, 5, and 6 are not part of the claimed design and represent that no particular length is claimed.

1 Claim, 7 Drawing Sheets



(56)

References Cited

U.S. PATENT DOCUMENTS

D247,838 S	5/1978	Jones et al.		D424,836 S	5/2000	Kopala, Jr.	
4,257,333 A	3/1981	Pollack		6,079,575 A	6/2000	Wang	
4,285,163 A	8/1981	Booker, Jr.		D429,092 S	8/2000	Walter	
4,295,754 A	10/1981	Ashton et al.		D429,095 S	8/2000	Grosfillex	
4,297,795 A	11/1981	Licari		D429,882 S *	8/2000	Lee	D3/294
4,343,245 A	8/1982	Edwards		6,105,798 A	8/2000	Gruber et al.	
4,346,806 A *	8/1982	Bustos	A47F 7/28 108/61	6,123,035 A	9/2000	Pfister	
D273,643 S	5/1984	Sanker et al.		D432,820 S	10/2000	Walters-Dowding et al.	
D277,723 S	2/1985	Wolff		6,135,299 A	10/2000	Burgess	
D278,196 S	4/1985	Koves		D433,709 S	11/2000	Hardy	
4,635,563 A	1/1987	Hand et al.		6,155,435 A	12/2000	Malik	
4,637,323 A	1/1987	Nicely		6,173,846 B1	1/2001	Anderson	
D291,165 S	8/1987	Ray		D438,724 S	3/2001	Trulaske, Sr.	
D292,658 S	11/1987	Kester		D439,769 S	4/2001	Prince et al.	
D292,764 S	11/1987	Kester		D440,793 S	4/2001	Iannaccone	
4,725,066 A	2/1988	Nootenboom et al.		D444,975 S	7/2001	West	
4,774,792 A	10/1988	Ballance		6,260,488 B1	7/2001	Yang et al.	
4,828,123 A	5/1989	Basore		D446,409 S	8/2001	Walters-Dowding et al.	
D301,413 S	6/1989	Rosen		6,283,314 B1	9/2001	Loguercio	
4,852,501 A	8/1989	Olson et al.		6,302,284 B1	10/2001	Zonshin	
4,895,382 A	1/1990	Andersson		6,305,764 B1	10/2001	Kortman et al.	
D308,776 S	6/1990	Yau Kee		D450,481 S	11/2001	Post	
D309,970 S *	8/1990	Embree	D3/304	D452,394 S	12/2001	Walters-Dowding et al.	
4,955,490 A	9/1990	Schafer		6,394,292 B1	5/2002	Sabounjian	
D311,799 S *	10/1990	Embree	D3/294	D459,932 S	7/2002	Ellwanger	
4,964,350 A	10/1990	Kolvites et al.		6,422,406 B1	7/2002	Kessel et al.	
4,978,013 A	12/1990	Hogg		6,427,858 B2	8/2002	Sabounjian	
D314,101 S	1/1991	Yau Kee		6,443,410 B1	9/2002	Lee	
D314,103 S	1/1991	Yau Kee		D470,451 S	2/2003	Bushart et al.	
D314,679 S	2/1991	Kee		D471,033 S	3/2003	Yamaguchi	
D314,682 S	2/1991	Kellems et al.		D471,381 S	3/2003	Yamaguchi	
D319,362 S	8/1991	Kellems et al.		D473,359 S	4/2003	Joseph	
D322,726 S	12/1991	Rademacher et al.		D474,870 S	5/2003	Post et al.	
D323,256 S	1/1992	Kee		6,561,107 B1	5/2003	Wood et al.	
D328,400 S	8/1992	Kee		D477,160 S	7/2003	Grosfillex	
D329,556 S	9/1992	Brussing		D485,092 S	1/2004	Rosen	
5,147,044 A *	9/1992	DiSesa, Jr.	B65D 21/064 206/501	6,726,038 B2	4/2004	Ko	
D329,954 S *	10/1992	Sharon	D6/675.5	D493,048 S	7/2004	Moon et al.	
D330,987 S	11/1992	Rosenthal		D496,545 S	9/2004	McDiamid	
5,169,009 A	12/1992	Bomze		D501,338 S	2/2005	Deasy et al.	
5,217,125 A	6/1993	Swanson		D501,738 S	2/2005	Clucas	
5,279,231 A	1/1994	Kolvites et al.		6,899,237 B2	5/2005	Trent	
D344,381 S	2/1994	Martin et al.		6,938,807 B2	9/2005	Victor	
D348,760 S	7/1994	Linder		6,970,143 B2	11/2005	Allen et al.	
5,351,843 A	10/1994	Wichman et al.		D515,313 S *	2/2006	Uffner	D3/273
5,423,251 A	6/1995	Kolvites et al.		D528,342 S	9/2006	Yu	
D361,664 S *	8/1995	Brown	D3/315	D538,058 S	3/2007	Van Es	
5,445,397 A *	8/1995	Evans	B62B 1/10 206/505	D538,106 S	3/2007	Julian	
5,452,811 A	9/1995	Taravella et al.		D540,568 S	4/2007	Clucas	
D364,055 S	11/1995	Pakla		D542,092 S	5/2007	Raichlen et al.	
D364,288 S	11/1995	Kramer et al.		D543,056 S	5/2007	Chou	
D371,879 S	7/1996	Linder		D544,250 S	6/2007	Daugherty et al.	
D373,039 S	8/1996	Cohen et al.		D544,251 S	6/2007	Daugherty et al.	
5,580,025 A	12/1996	Cross		D560,937 S	2/2008	Hwang	
D378,331 S	3/1997	Allendorph		D562,594 S	2/2008	Thompson	
5,628,415 A	5/1997	Mulholland		D569,658 S	5/2008	Greiner	
5,647,487 A	7/1997	Reinhard		D579,691 S	11/2008	Snider	
5,676,263 A	10/1997	Chang		D580,193 S	11/2008	Sparkowski	
D392,817 S	3/1998	Lee		D586,153 S	2/2009	Maly	
5,738,230 A	4/1998	Goldstein		D586,583 S	2/2009	Schluter et al.	
D393,970 S	5/1998	Lee		D588,378 S *	3/2009	Goodman	D7/704
5,779,070 A	7/1998	Dickenson et al.		D588,840 S	3/2009	Dretzka	
D400,739 S	11/1998	Sheng		D590,634 S	4/2009	Nigro	
D403,536 S	1/1999	Olson et al.		7,516,856 B2	4/2009	Lee et al.	
5,855,175 A	1/1999	Forbes		D594,252 S	6/2009	Gehring	
5,865,320 A	2/1999	Hamada		D597,342 S	8/2009	Dickson	
5,913,270 A	6/1999	Price		D597,343 S	8/2009	Thakur	
5,924,577 A	7/1999	Gessert		D602,712 S	10/2009	Ho	
5,924,581 A	7/1999	Chen		D603,188 S	11/2009	Wang	
5,988,405 A	11/1999	Weisenburger		7,617,941 B2	11/2009	Colin et al.	
5,996,812 A	12/1999	Sokol, Jr.		D607,667 S	1/2010	Cayouette	
6,017,107 A	1/2000	Elliott et al.		D615,777 S	5/2010	Lee et al.	
				7,789,238 B2 *	9/2010	Claypool	A47F 3/145 206/508
				7,789,251 B1	9/2010	Clark	
				D624,753 S	10/2010	Post et al.	
				D626,356 S	11/2010	Ho	
				D628,856 S *	12/2010	Wang	D7/601
				D630,813 S	1/2011	Molayem	

(56)

References Cited

U.S. PATENT DOCUMENTS

7,891,507 B2	2/2011	Shetler		D696,049 S	12/2013	Hsu et al.	
D636,198 S *	4/2011	Gibbs	D6/513	D697,310 S *	1/2014	Snider	D3/306
D637,427 S	5/2011	Troyner et al.		D699,045 S *	2/2014	Gomes	D6/513
D643,686 S	8/2011	Tiemann		D699,073 S	2/2014	Cheung	
D644,069 S	8/2011	Tiemann		D699,485 S	2/2014	Hsu et al.	
D645,902 S *	9/2011	Tsai	D19/90	D699,986 S	2/2014	Tsai	
D646,057 S *	10/2011	Loaiza	D3/273	8,651,295 B2	2/2014	Lim	
D648,969 S	11/2011	Cittadino et al.		D703,467 S	4/2014	Ho et al.	
D651,801 S *	1/2012	Brown	D3/304	D703,468 S	4/2014	Ho et al.	
D653,063 S	1/2012	Post et al.		D704,482 S	5/2014	Hsu et al.	
8,096,430 B2	1/2012	Lim		D719,731 S *	12/2014	Burgess	D3/299
D657,979 S	4/2012	Sokol et al.		D720,358 S *	12/2014	Ginsterblum	D14/447
D660,652 S	5/2012	Tiemann		D729,021 S *	5/2015	Goodman	D7/704
D664,378 S	7/2012	Vu		D737,105 S *	8/2015	Tsai	D7/601
D668,103 S	10/2012	Cloutier et al.		D742,145 S *	11/2015	Hsu	D6/683.1
D670,339 S *	11/2012	Mitchell	D19/90	2002/0027114 A1	3/2002	Krusell	
D670,943 S	11/2012	Hertaus		2003/0131767 A1	7/2003	Chen	
D675,849 S	2/2013	Tawil		2003/0213759 A1 *	11/2003	Compagnucci	A47L 19/04 211/41.11
D676,238 S *	2/2013	Wu	D3/294	2004/0065633 A1	4/2004	Chen	
D676,262 S	2/2013	Lim		2005/0206579 A1	9/2005	Allen et al.	
D676,686 S	2/2013	Lim		2006/0124653 A1 *	6/2006	McRorie, III	B65F 1/1607 220/735
D676,687 S	2/2013	Lim		2006/0254992 A1	11/2006	Lim	
D676,688 S	2/2013	Lim		2007/0175847 A1	8/2007	Prest	
D677,055 S *	3/2013	Nowicky	D3/304	2008/0203042 A1	8/2008	Felsenthal	
D677,056 S	3/2013	Hu		2008/0283480 A1	11/2008	Segall et al.	
D677,077 S *	3/2013	Selby	D6/678.4	2008/0308516 A1	12/2008	Li	
D677,943 S	3/2013	Mendoza		2009/0152225 A1	6/2009	Lee	
D680,361 S	4/2013	Zobel et al.		2009/0184068 A1	7/2009	Kin	
D683,160 S	5/2013	Williams et al.		2010/0006467 A1 *	1/2010	Joseph	B65D 1/22 206/508
D683,567 S	6/2013	Hsu et al.		2010/0181274 A1	7/2010	Vargo et al.	
D683,983 S	6/2013	Troyner et al.		2011/0233164 A1	9/2011	Chang	
8,464,880 B2	6/2013	Lim		2011/0240571 A1	10/2011	Ho	
D686,029 S	7/2013	Parker et al.		2014/0076921 A1 *	3/2014	Chen	A47F 1/125 221/277
D687,253 S	8/2013	McIntyre		2014/0190917 A1 *	7/2014	Szpak	A47F 1/04 211/134
D689,194 S *	9/2013	Vivenzio	D24/229				
8,522,987 B2	9/2013	Lim					
D690,967 S	10/2013	Goodman et al.					
D694,975 S *	12/2013	Lambertson, Jr.	D32/53				

* cited by examiner

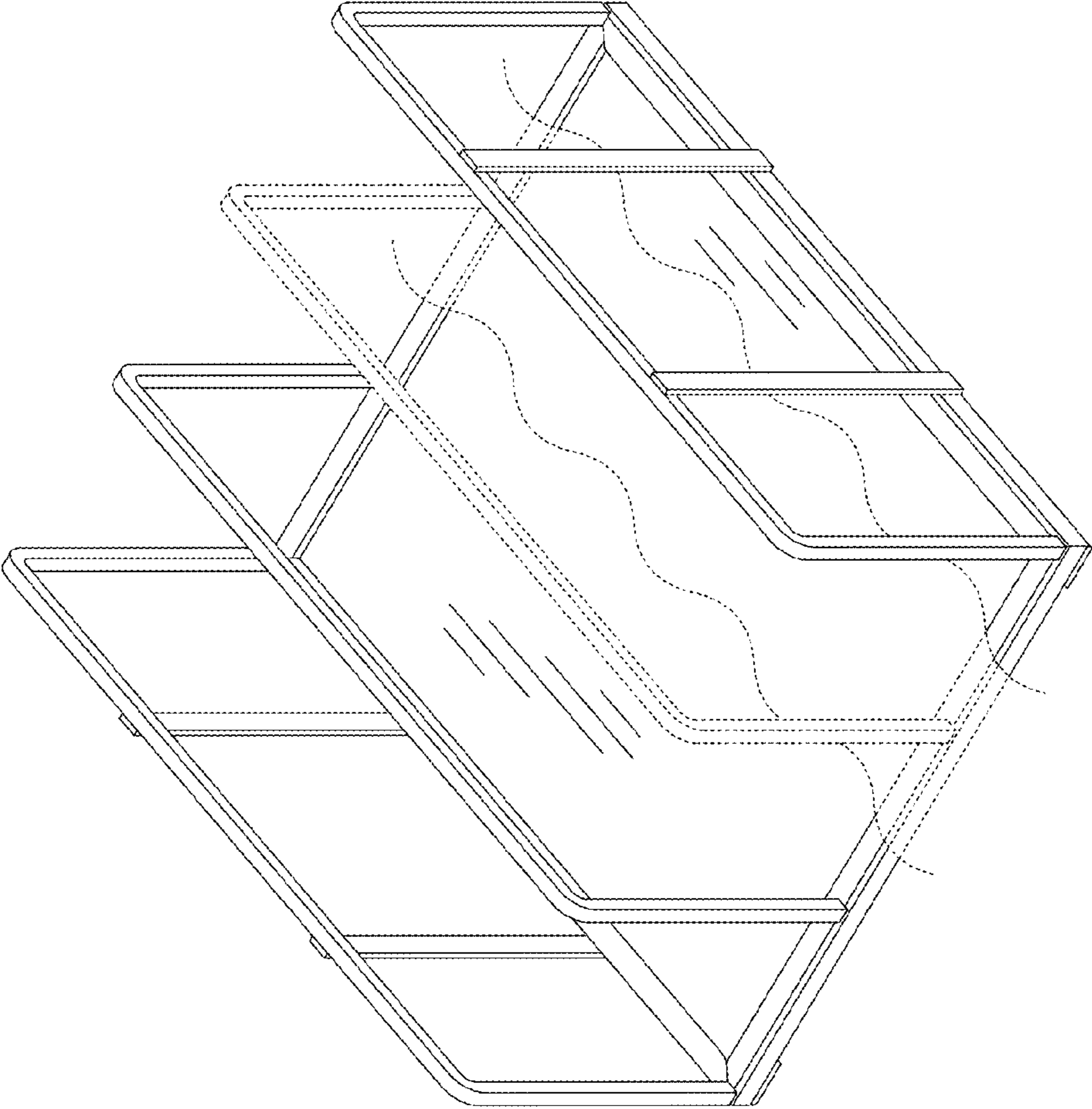


FIG. 1

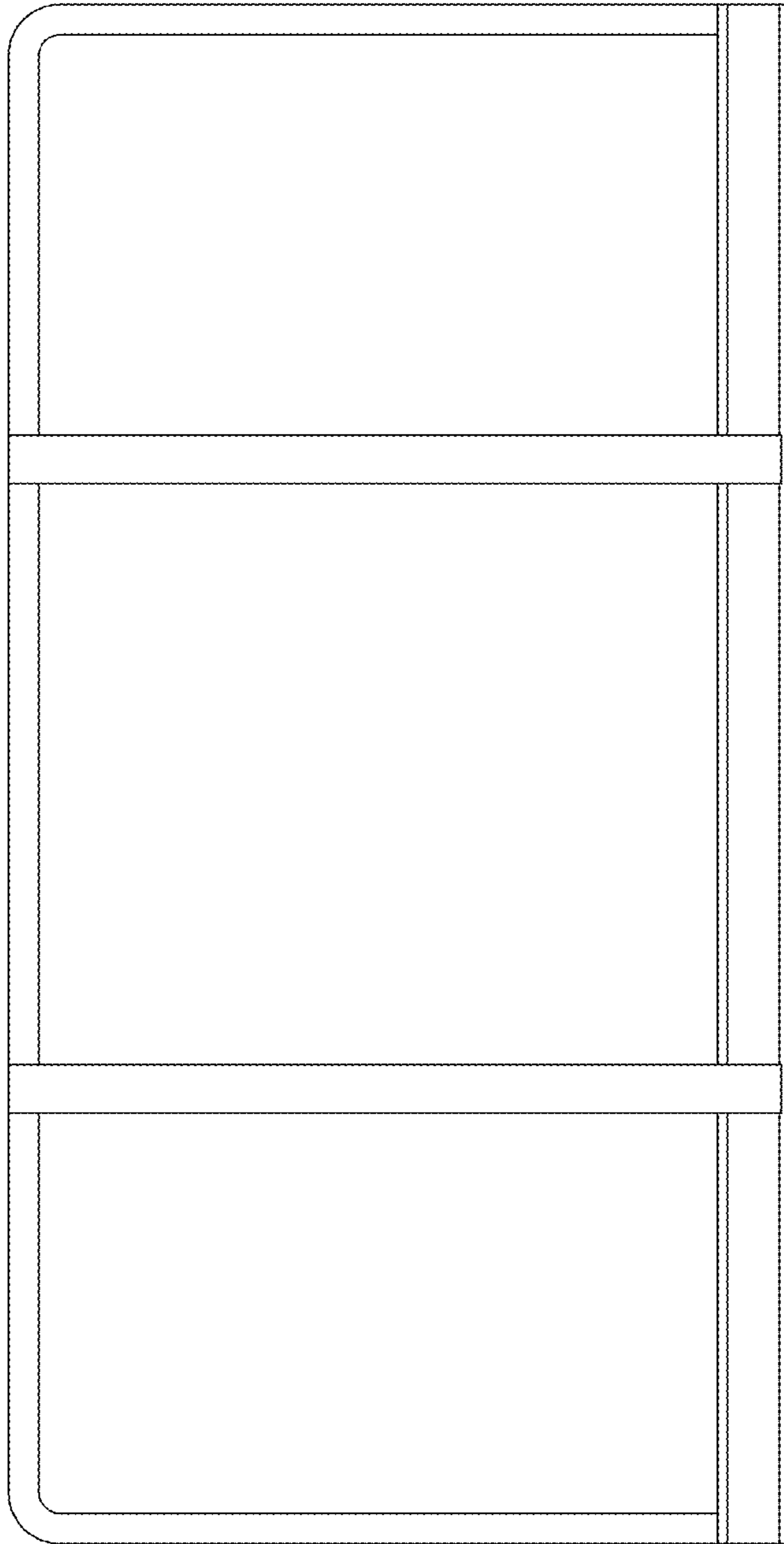


FIG. 2

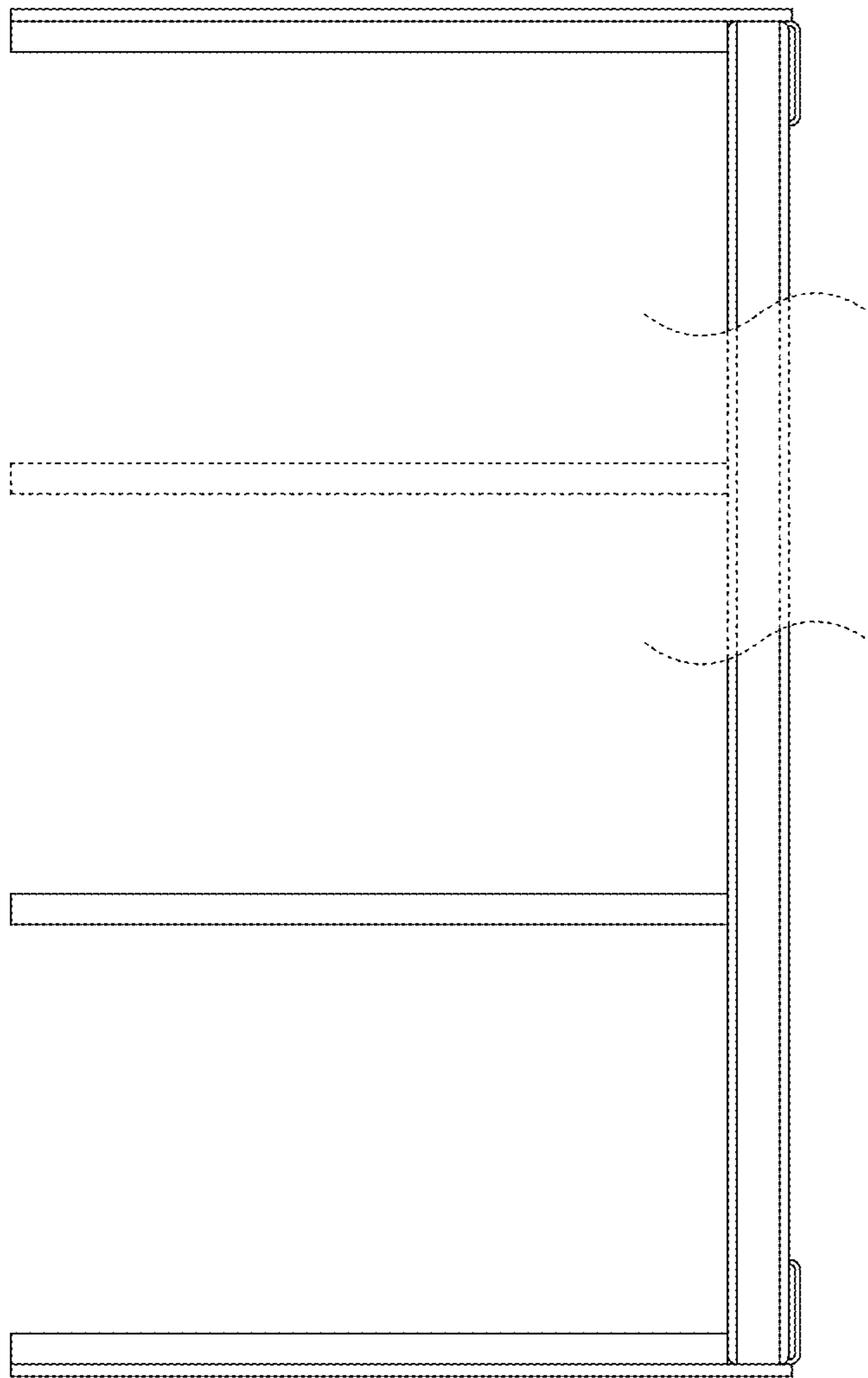


FIG. 3

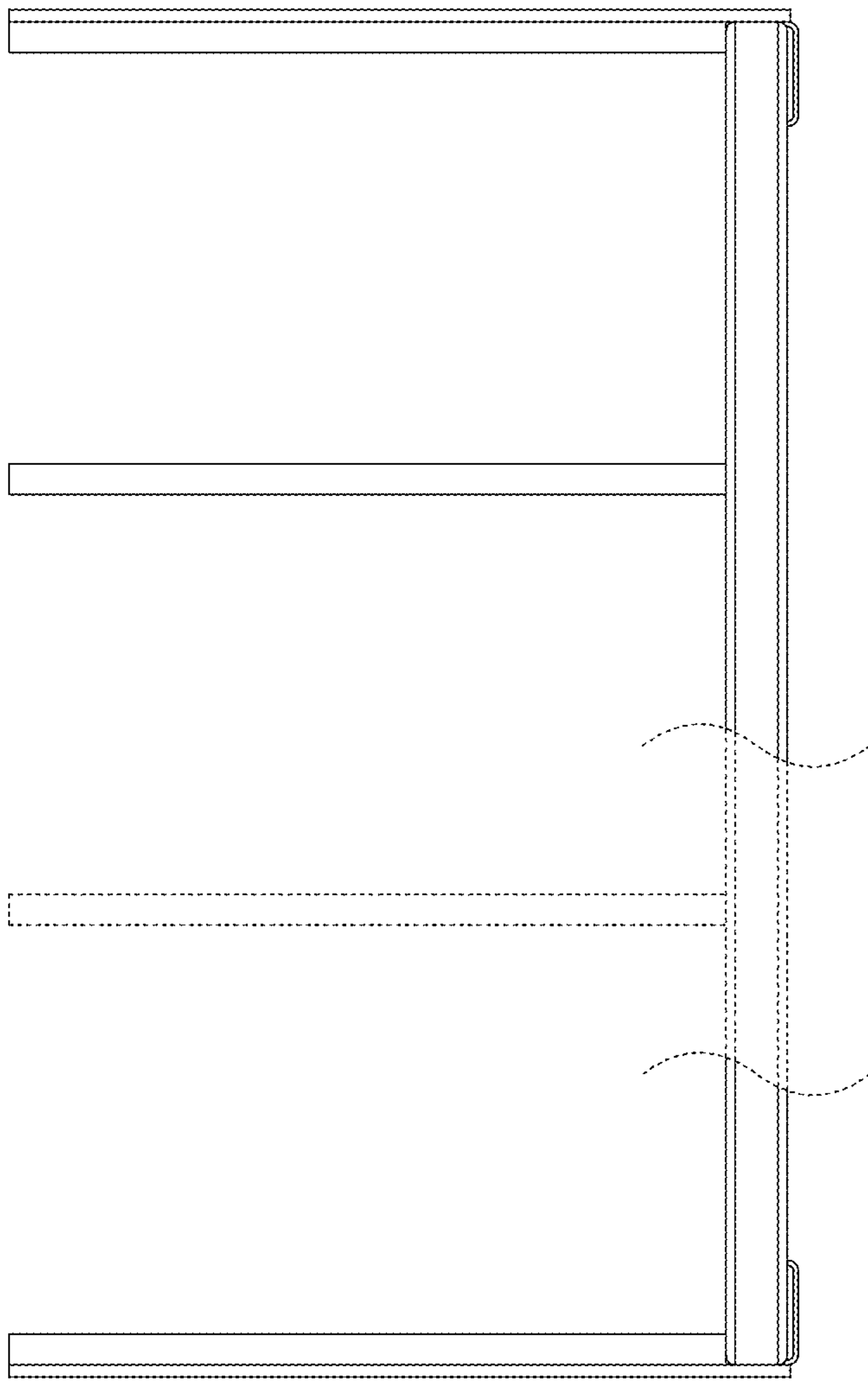


FIG. 4

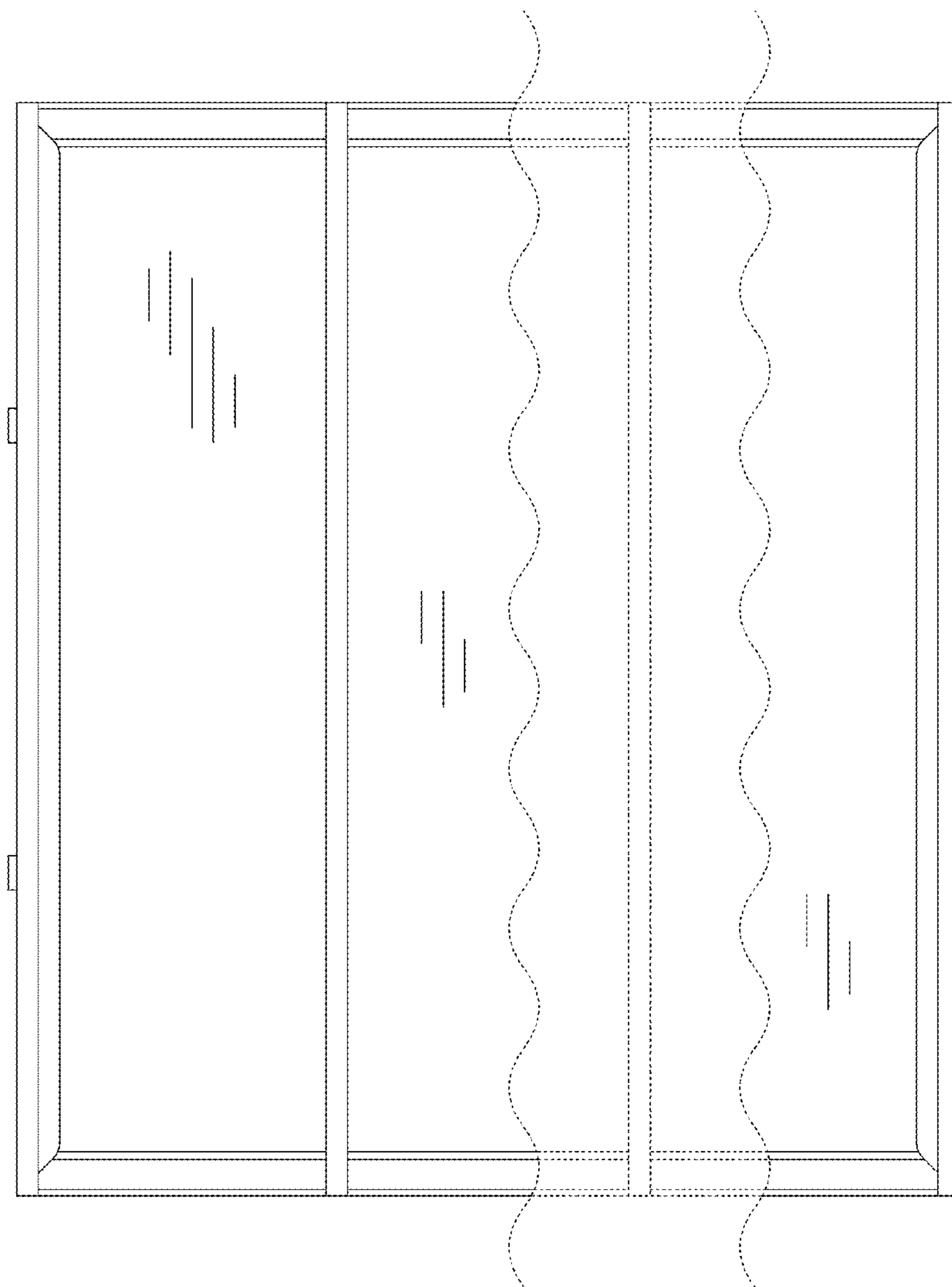


FIG. 5

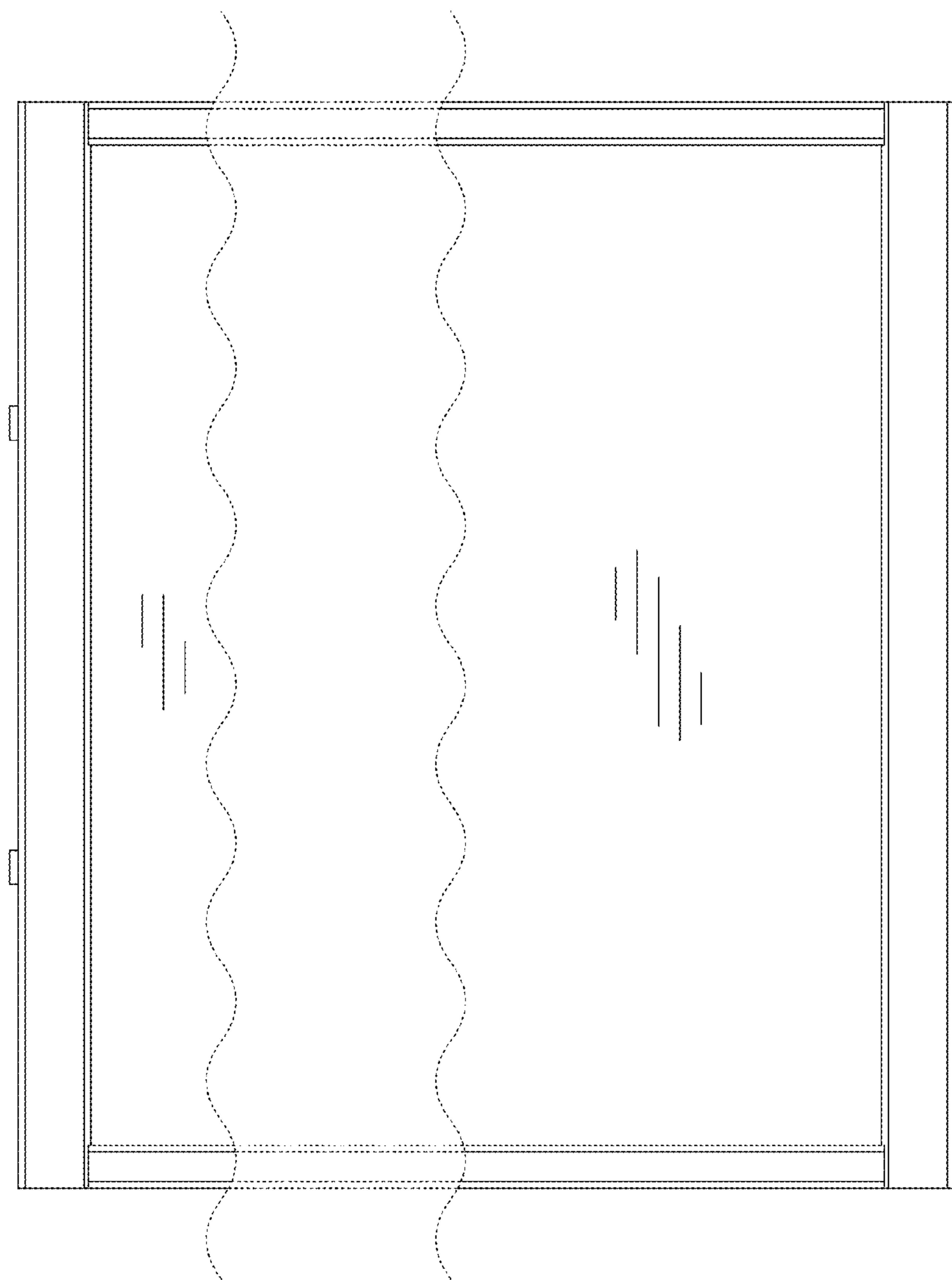


FIG. 6

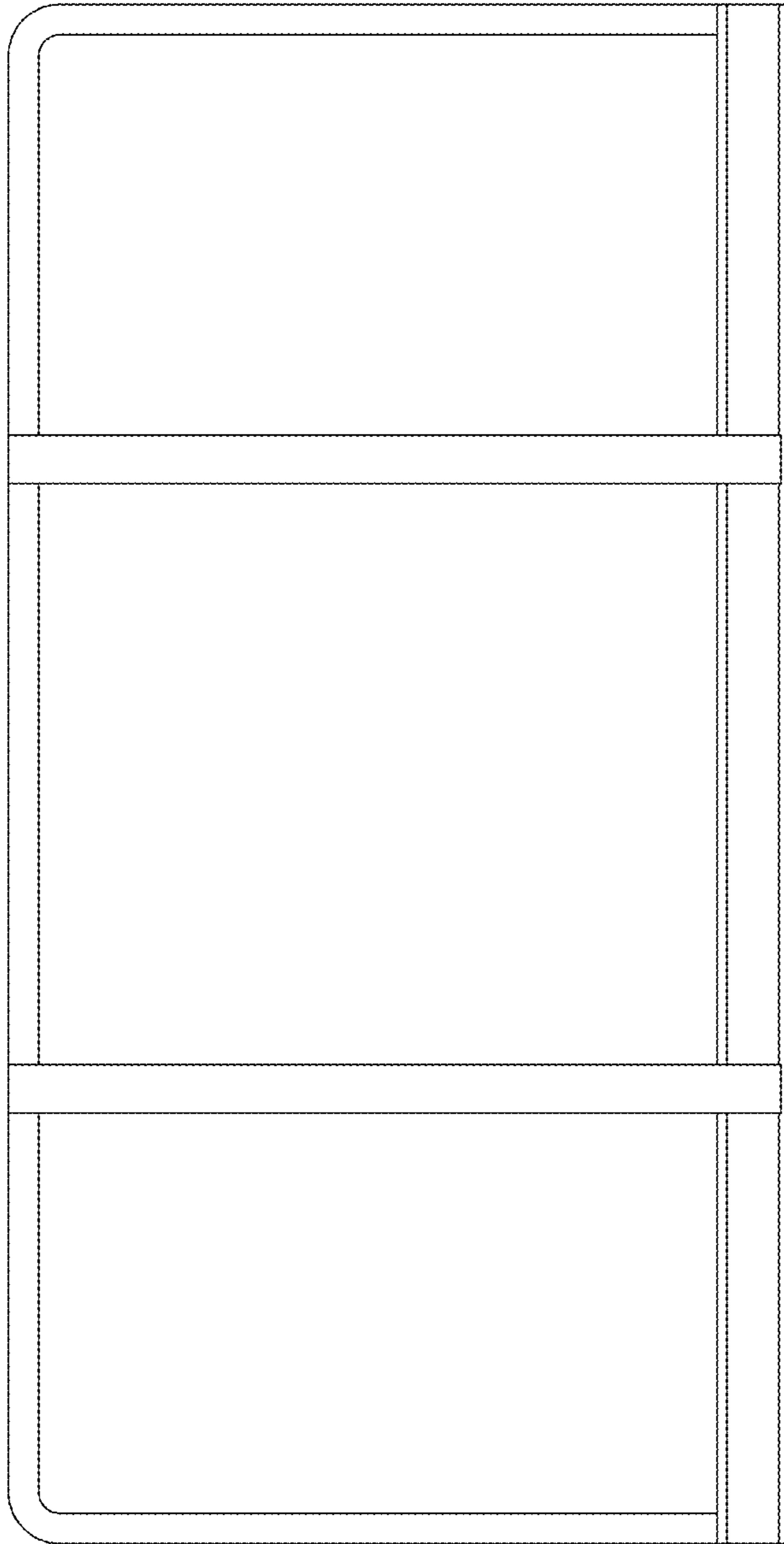


FIG. 7