



US00D763022S

(12) **United States Design Patent**  
**McFarlane**

(10) **Patent No.:** **US D763,022 S**  
(45) **Date of Patent:** **\*\* Aug. 9, 2016**

(54) **HANGER**  
(71) Applicant: **Robert McFarlane**, Massillon, OH (US)  
(72) Inventor: **Robert McFarlane**, Massillon, OH (US)  
(73) Assignee: **Bruce Foods Corporation**, Saint Martinville, LA (US)  
(\*\*) Term: **14 Years**  
(21) Appl. No.: **29/525,844**  
(22) Filed: **May 4, 2015**  
(51) **LOC (10) Cl.** ..... **06-04**  
(52) **U.S. Cl.**  
USPC ..... **D6/681.3**  
(58) **Field of Classification Search**  
USPC ..... D6/681, 681.1, 681.3, 682.5, 513, 567,  
D6/323, 324, 325, 327, 328; D7/409;  
D17/20  
CPC ..... E04B 9/20; F16N 45/00; A22C 15/003;  
A22C 25/06; A22C 15/001; A22C 21/0007;  
A22B 5/06  
See application file for complete search history.

3,201,077 A \* 8/1965 Heimann ..... A22C 15/00  
248/307  
D234,243 S \* 2/1975 Lindemann ..... D6/328  
D242,673 S \* 12/1976 Moody ..... D6/513  
5,106,642 A \* 4/1992 Ciofalo ..... A47J 43/18  
211/85.4  
D328,193 S \* 7/1992 Gossett ..... D6/315  
D330,290 S \* 10/1992 Edwards ..... D6/323  
D331,500 S \* 12/1992 Davati ..... D6/315  
D422,888 S \* 4/2000 Outten ..... D8/367  
D459,132 S \* 6/2002 Shea ..... D6/566  
D560,249 S \* 1/2008 Samu ..... D17/20  
D563,700 S \* 3/2008 Walters ..... D6/513  
D566,405 S \* 4/2008 Belokin ..... D6/315  
D601,817 S \* 10/2009 Barbieri ..... D6/327  
D615,355 S \* 5/2010 Viahos ..... D7/409  
D724,524 S \* 3/2015 Garrett-Schesch ..... D13/102  
D727,631 S \* 4/2015 Irvin ..... D6/323  
2005/0247844 A1 \* 11/2005 Tilton ..... A47G 7/045  
248/340

\* cited by examiner

*Primary Examiner* — John Windmuller  
*Assistant Examiner* — Steven Czyz  
(74) *Attorney, Agent, or Firm* — Williams Mullen PC

(56) **References Cited**

U.S. PATENT DOCUMENTS

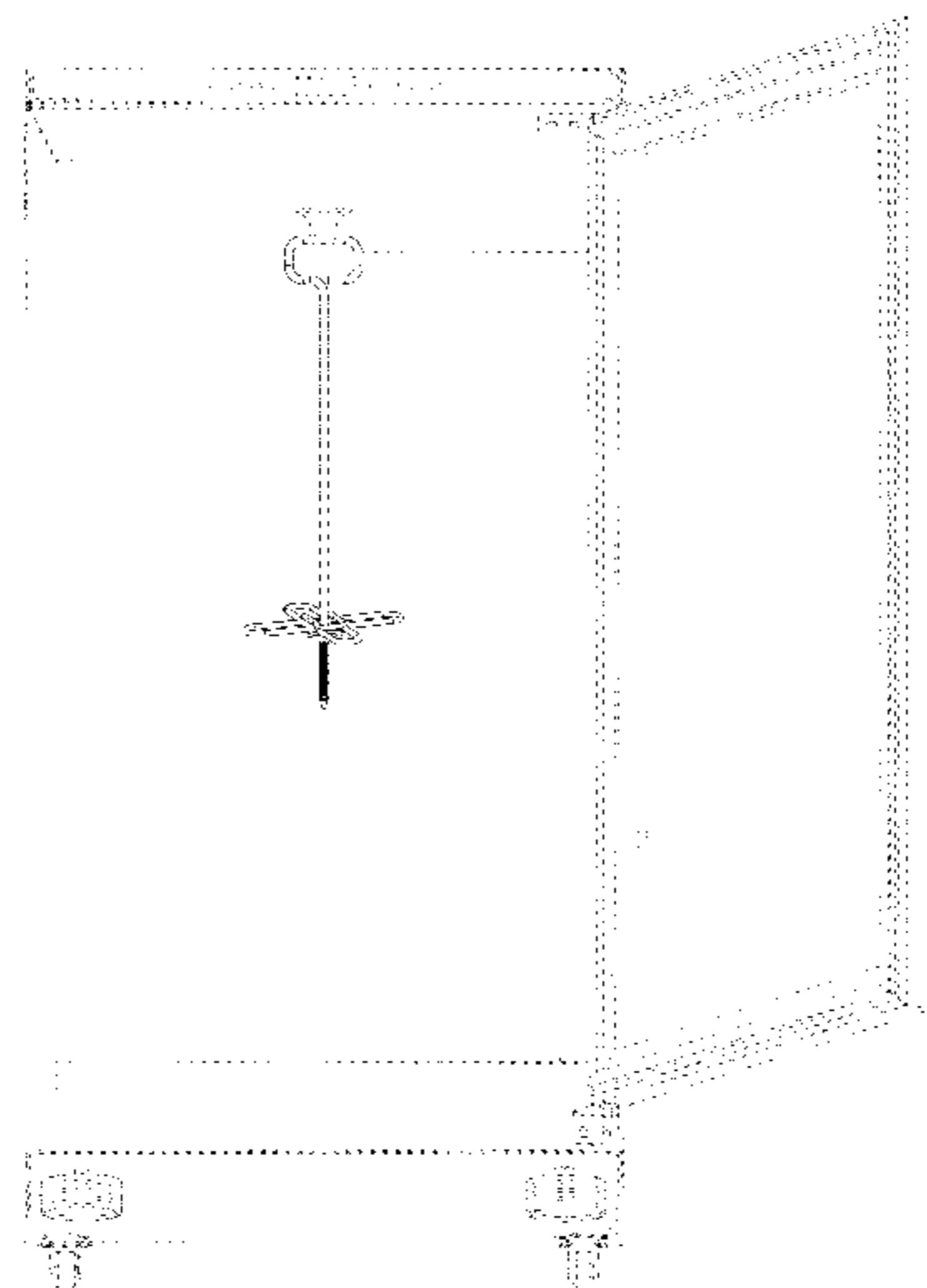
459,583 A \* 9/1891 Johnson et al. .... A47G 25/32  
211/113  
603,940 A \* 5/1898 Carkin et al. .... A47G 25/32  
248/340  
609,414 A \* 8/1898 Couch et al. .... A22C 15/003  
248/340  
1,464,160 A \* 8/1923 Weyel ..... A22C 15/003  
211/113  
1,863,743 A \* 6/1932 Burns ..... A22C 15/003  
248/340  
2,040,648 A \* 5/1936 Fortes ..... A47J 29/06  
211/181.1  
D159,536 S \* 8/1950 Rosenheim et al. .... 211/30  
2,724,342 A \* 11/1955 Lewis ..... A22C 15/003  
104/89

(57) **CLAIM**  
The ornamental design for a hanger, as shown and described.

**DESCRIPTION**

FIG. 1 is a front elevation perspective view of a hanger according to the novel design, within a smoker cabinet environment;  
FIG. 2 is a front elevation perspective view thereof;  
FIG. 3 is a side view thereof;  
FIG. 4 is a front view thereof;  
FIG. 5 is a bottom view thereof; and,  
FIG. 6 is a top view thereof.  
The broken lines depict environment that forms no part of the claimed design.

**1 Claim, 6 Drawing Sheets**



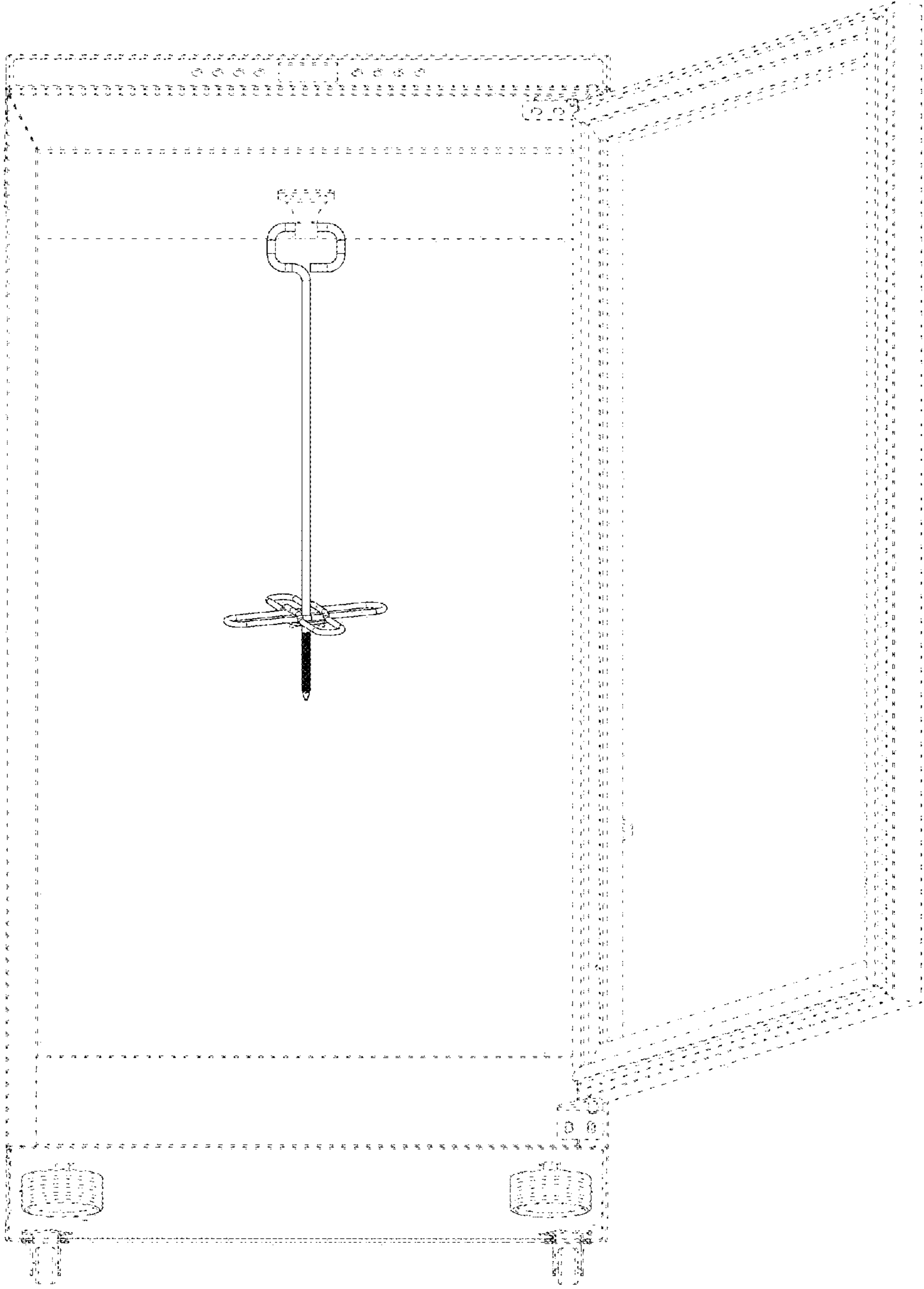


FIG. 1

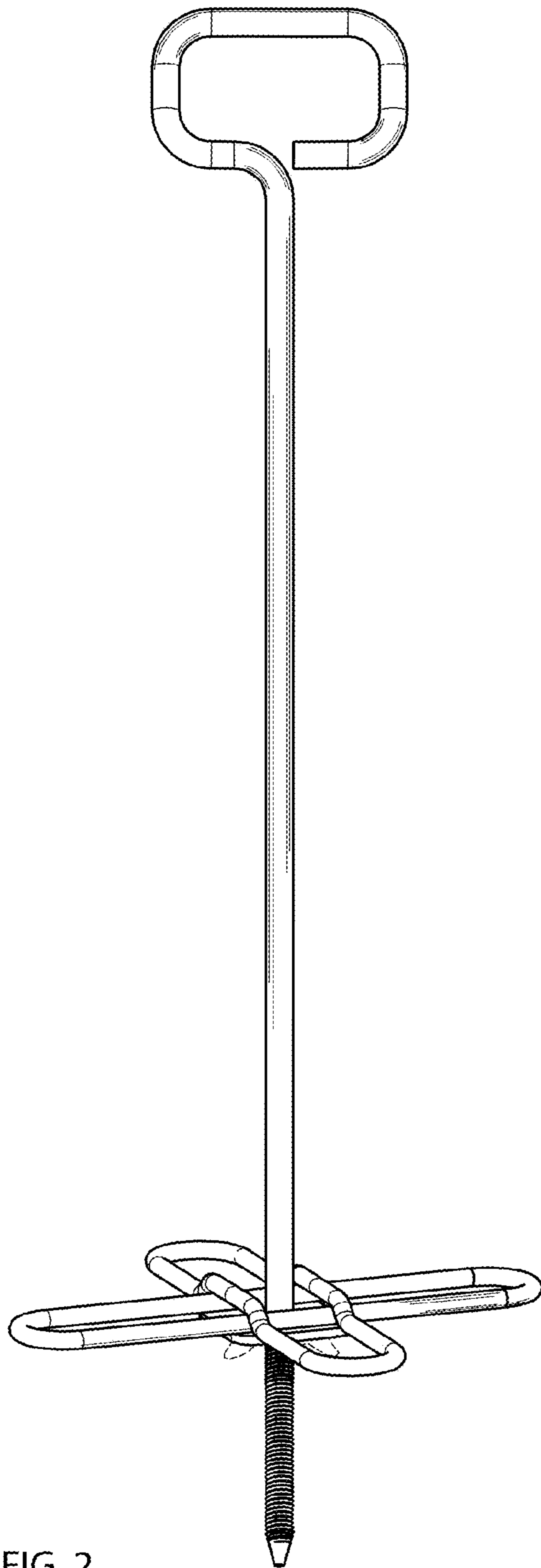


FIG. 2

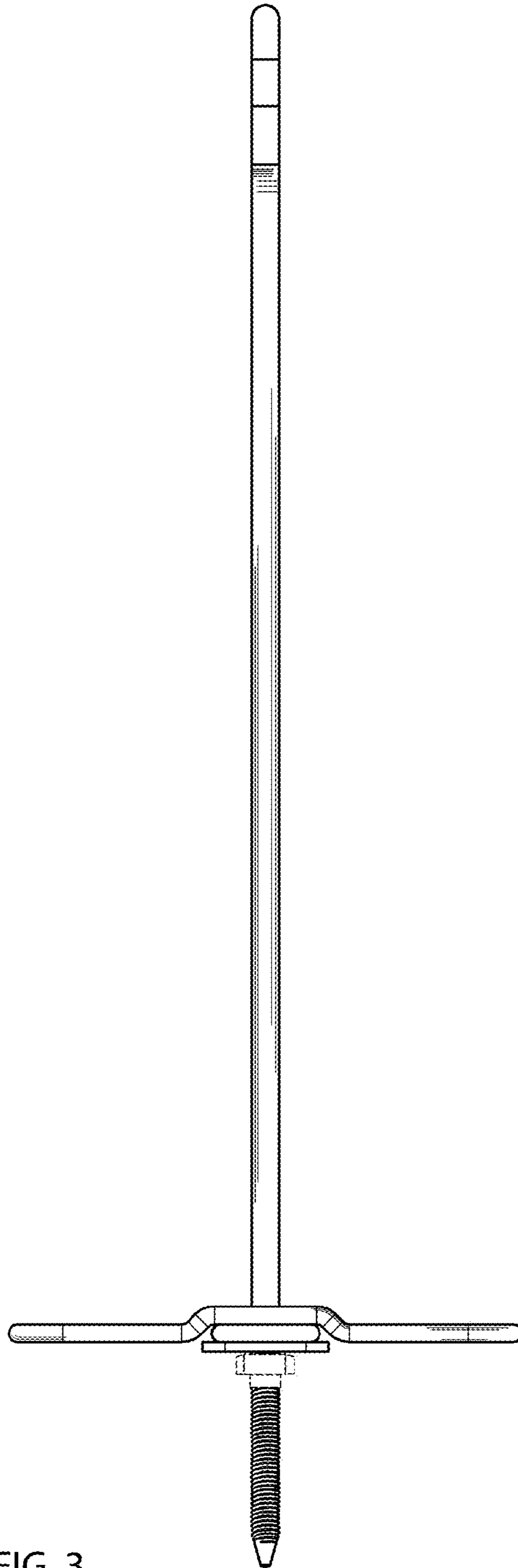


FIG. 3

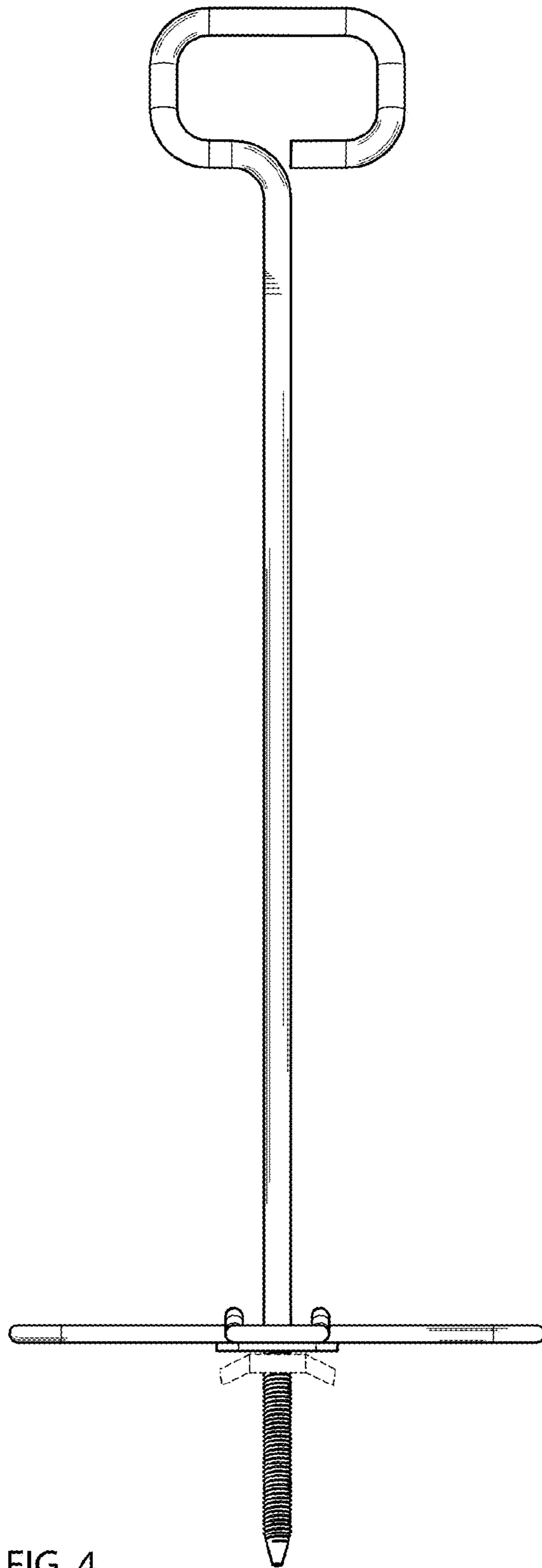


FIG. 4

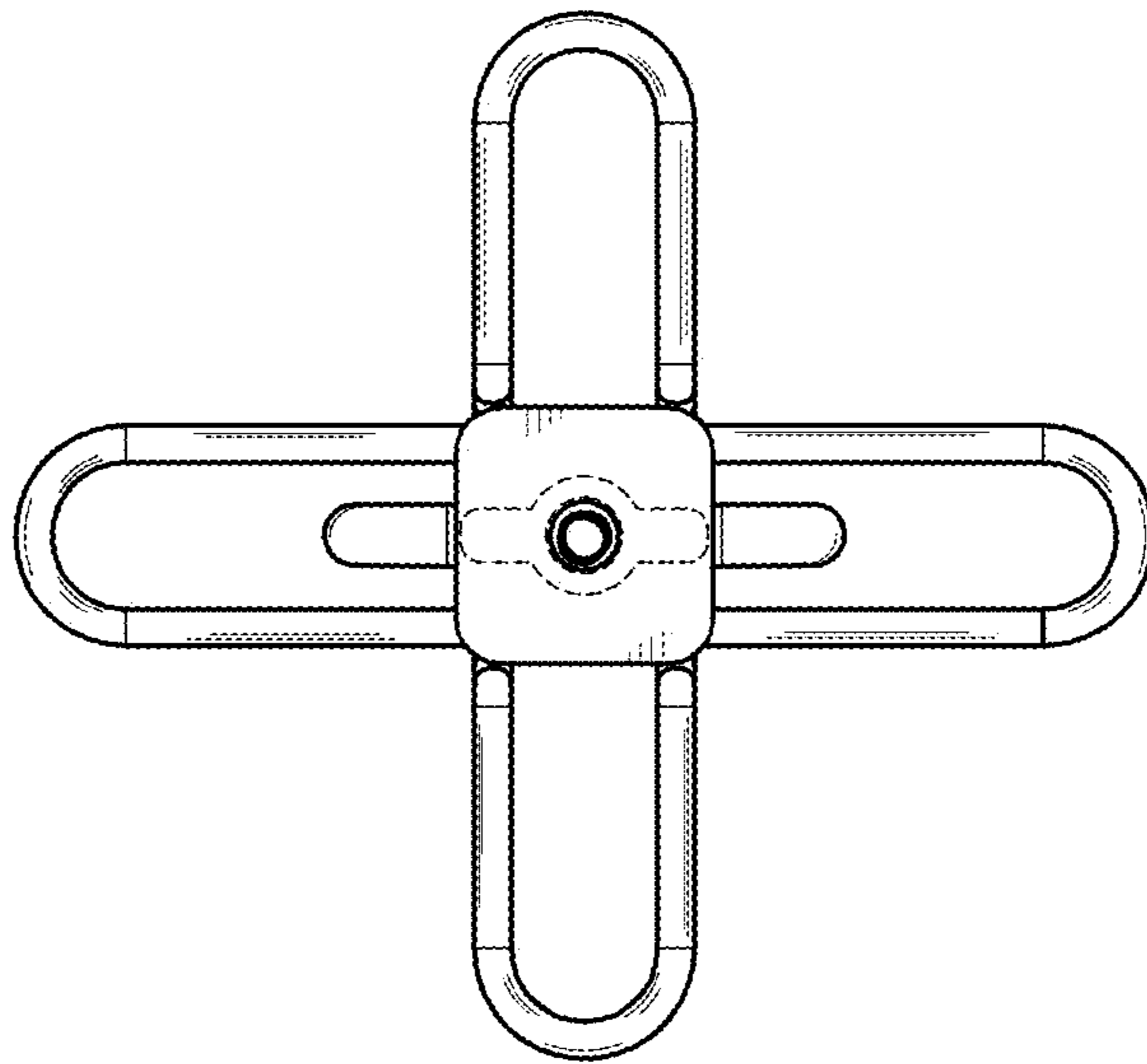


FIG. 5

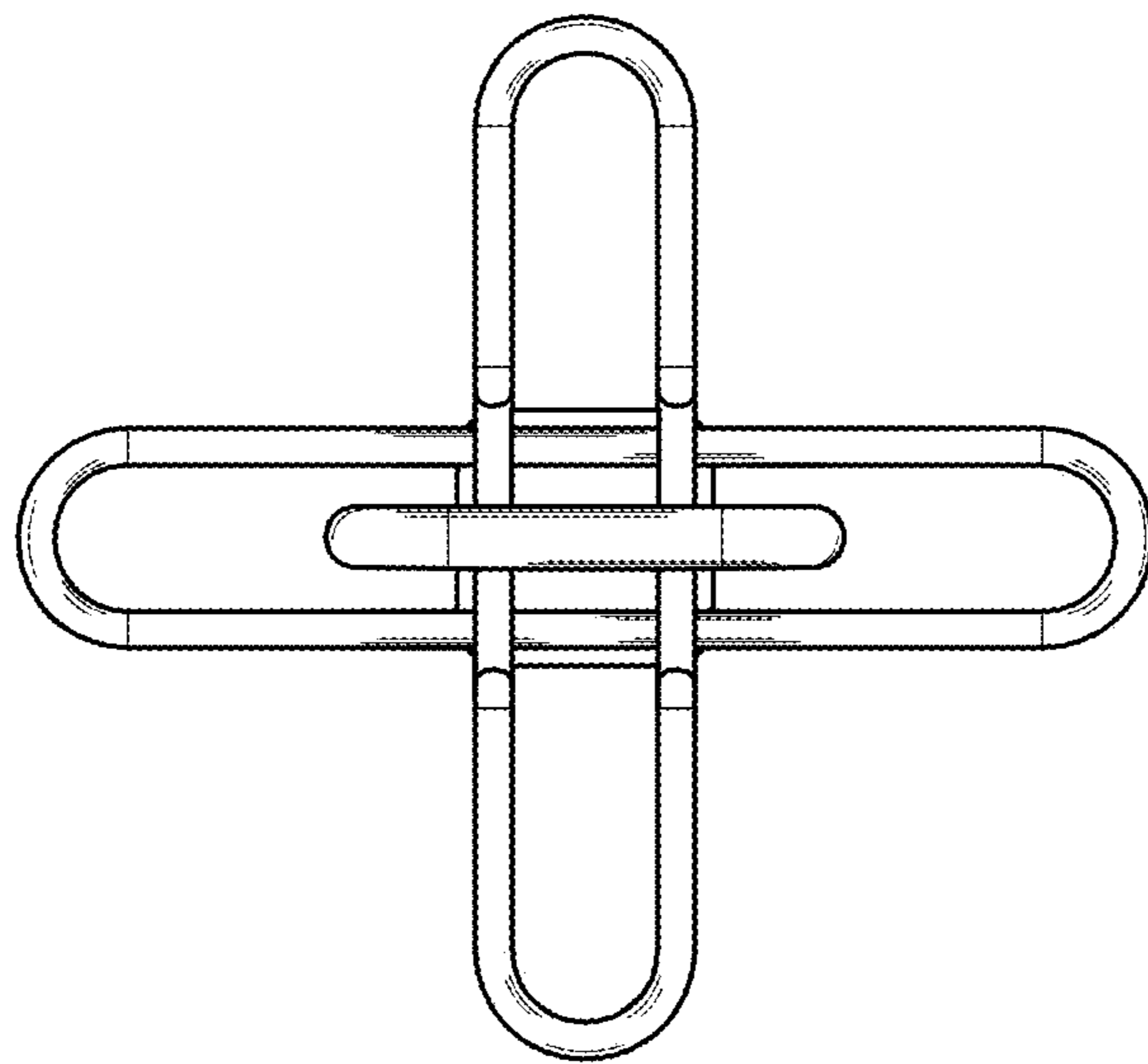


FIG. 6