



US00D763019S

(12) **United States Design Patent**
Theisen et al.

(10) **Patent No.:** **US D763,019 S**

(45) **Date of Patent:** **** Aug. 9, 2016**

(54) **DISPLAY UNIT**

(71) Applicant: **Target Brands, Inc.**, Minneapolis, MN (US)

(72) Inventors: **Jennifer A. Theisen**, Crystal, MN (US);
Alex K. Poniatowski, Brooklyn Park, MN (US); **Vaughan R. Schaub**, Golden Valley, MN (US)

(73) Assignee: **Target Brands, Inc.**, Minneapolis, MN (US)

(**) Term: **14 Years**

(21) Appl. No.: **29/523,655**

(22) Filed: **Apr. 13, 2015**

(51) **LOC (10) Cl.** **06-06**

(52) **U.S. Cl.**
USPC **D6/675.3**

(58) **Field of Classification Search**

USPC D6/396, 407, 449, 450, 454-463,
D6/470-471, 473-474, 566, 675,
D6/675.1-675.3; 108/28, 31-32; 211/1,
211/13.1, 41.1, 50, 86.01, 134, 153, 195;
248/441.1, 459

CPC A47F 3/004; A47F 5/0081; A47B 8/007
See application file for complete search history.

(56) **References Cited**

U.S. PATENT DOCUMENTS

4,000,843 A * 1/1977 Sorensen B65D 81/057
206/320
D268,307 S * 3/1983 Korn D6/682.2
D304,788 S * 11/1989 McJunkin D6/552
D332,184 S * 1/1993 Becker D6/673
D334,494 S * 4/1993 Stein D6/300
D368,184 S * 3/1996 Eley D6/406.4
D385,179 S * 10/1997 Brandes D8/403
D394,802 S * 6/1998 Brandes D8/403
D541,082 S * 4/2007 Nomoto D6/675.3

D581,187 S * 11/2008 Vihauer D6/672
D604,531 S * 11/2009 Annicelli D19/91
D608,836 S * 1/2010 Kosir D20/43
D609,030 S * 2/2010 Barabas D14/238
D615,321 S * 5/2010 Scarcello D6/672
D633,730 S * 3/2011 Kimmet D6/682.3
D689,137 S * 9/2013 McGreevy D19/86

(Continued)

OTHER PUBLICATIONS

U.S. Appl. No. 14/547,778, filed Nov. 19, 2014, 32 pages.

Primary Examiner — Kelley Donnelly

(74) *Attorney, Agent, or Firm* — Leanne Taveggia Farrell;
Westman, Champlin & Koehler, P.A.

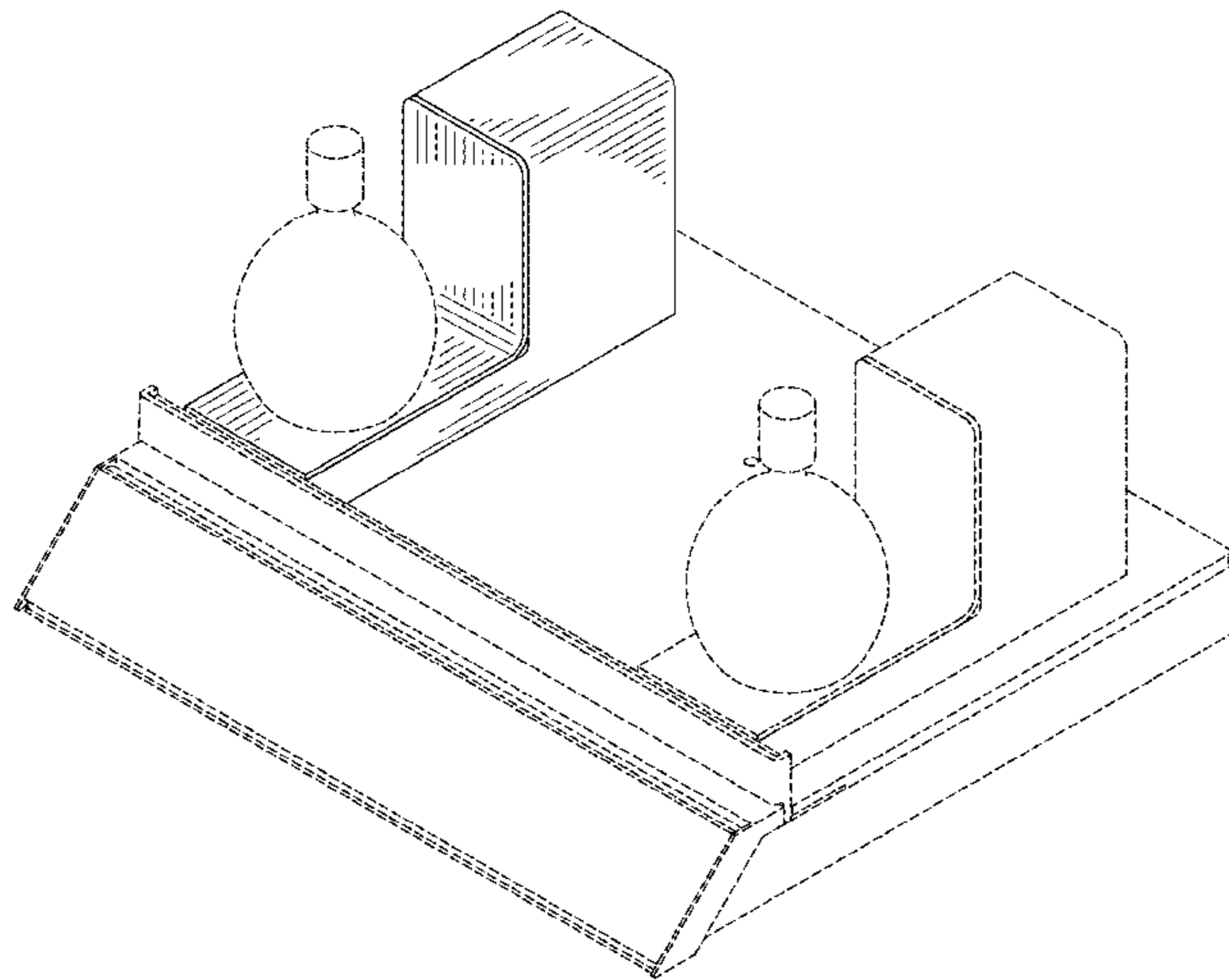
(57) **CLAIM**

The ornamental design for a display unit, as shown and described.

DESCRIPTION

FIG. 1 is a perspective view of a first embodiment of a display unit with environment showing our new design;
FIG. 2 is a front view thereof;
FIG. 3 is a back view thereof;
FIG. 4 is a top view thereof;
FIG. 5 is a left side view thereof;
FIG. 6 is a right side view thereof;
FIG. 7 is a perspective view of a display unit showing alternate environment thereof;
FIG. 8 is a front view of FIG. 7;
FIG. 9 is a back view of FIG. 7;
FIG. 10 is a top view of FIG. 7;
FIG. 11 is a left side view of FIG. 7, the opposing right side view is a mirror image; and,
FIG. 12 is a perspective view of an alternate position of the FIG. 7 embodiment with environment.
The broken lines are for purposes of illustrating environment and portions of the display unit and form no part of the claimed design.

1 Claim, 6 Drawing Sheets



US D763,019 S

Page 2

(56)

References Cited

U.S. PATENT DOCUMENTS

D698,306 S * 1/2014 Grovender D12/317
D707,993 S * 7/2014 Grigonis, Jr. D6/675.3
8,925,745 B2 1/2015 Theisen et al.

D730,090 S * 5/2015 Christal D6/675.3
D745,295 S * 12/2015 Ebert D6/672
2015/0320240 A1* 11/2015 Michel A47F 7/142
40/757

* cited by examiner

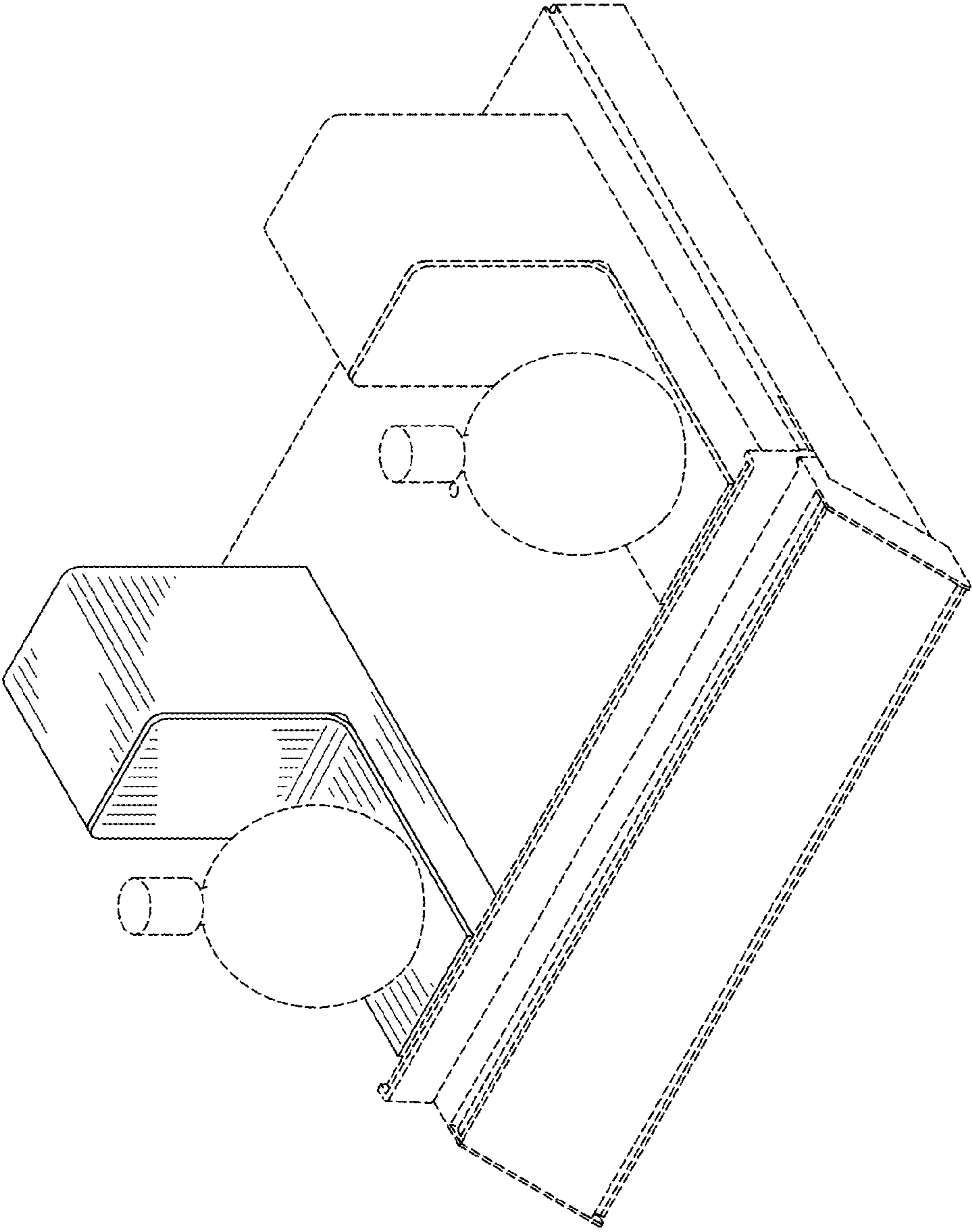


Fig. 1

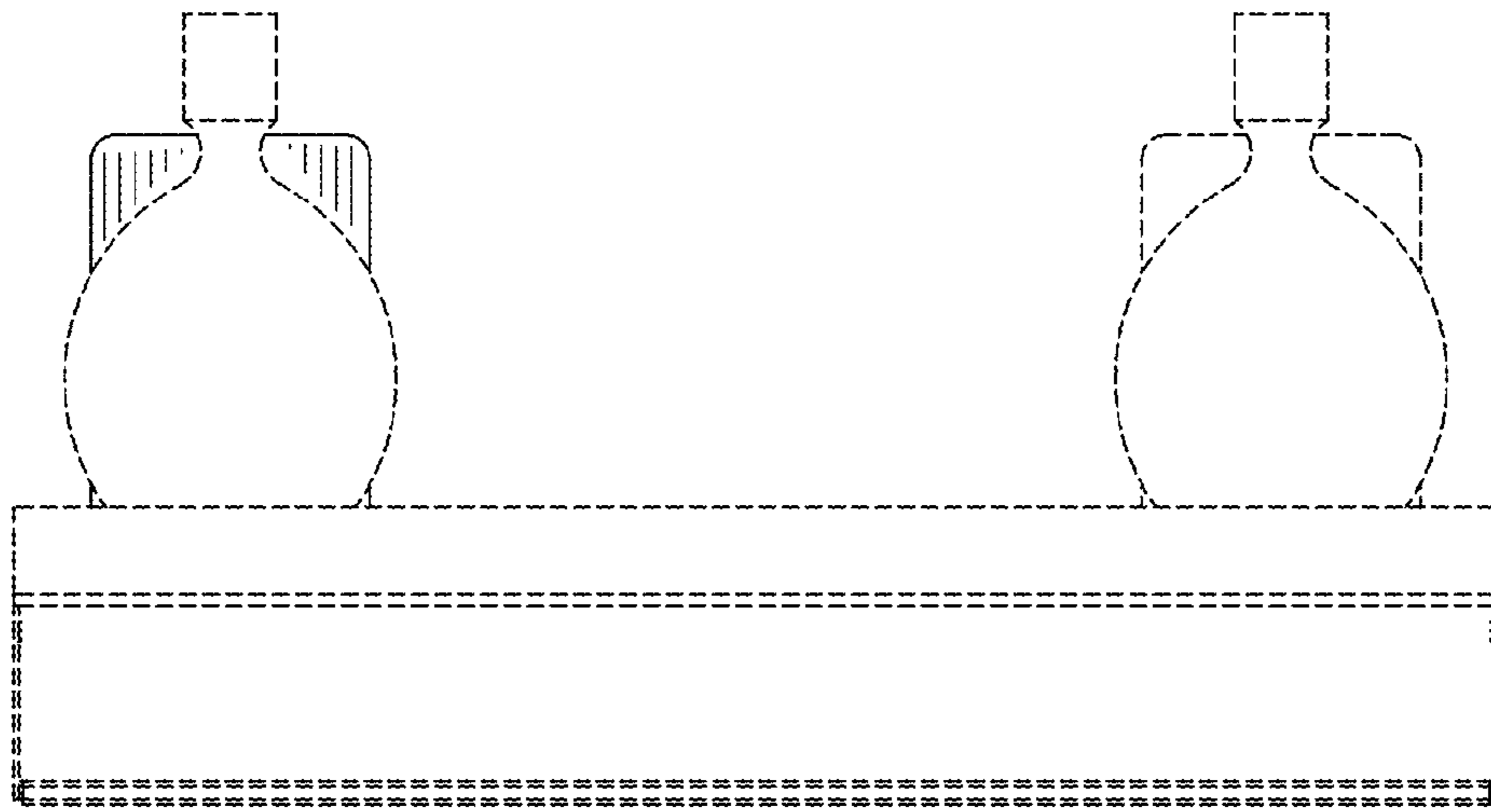


Fig. 2

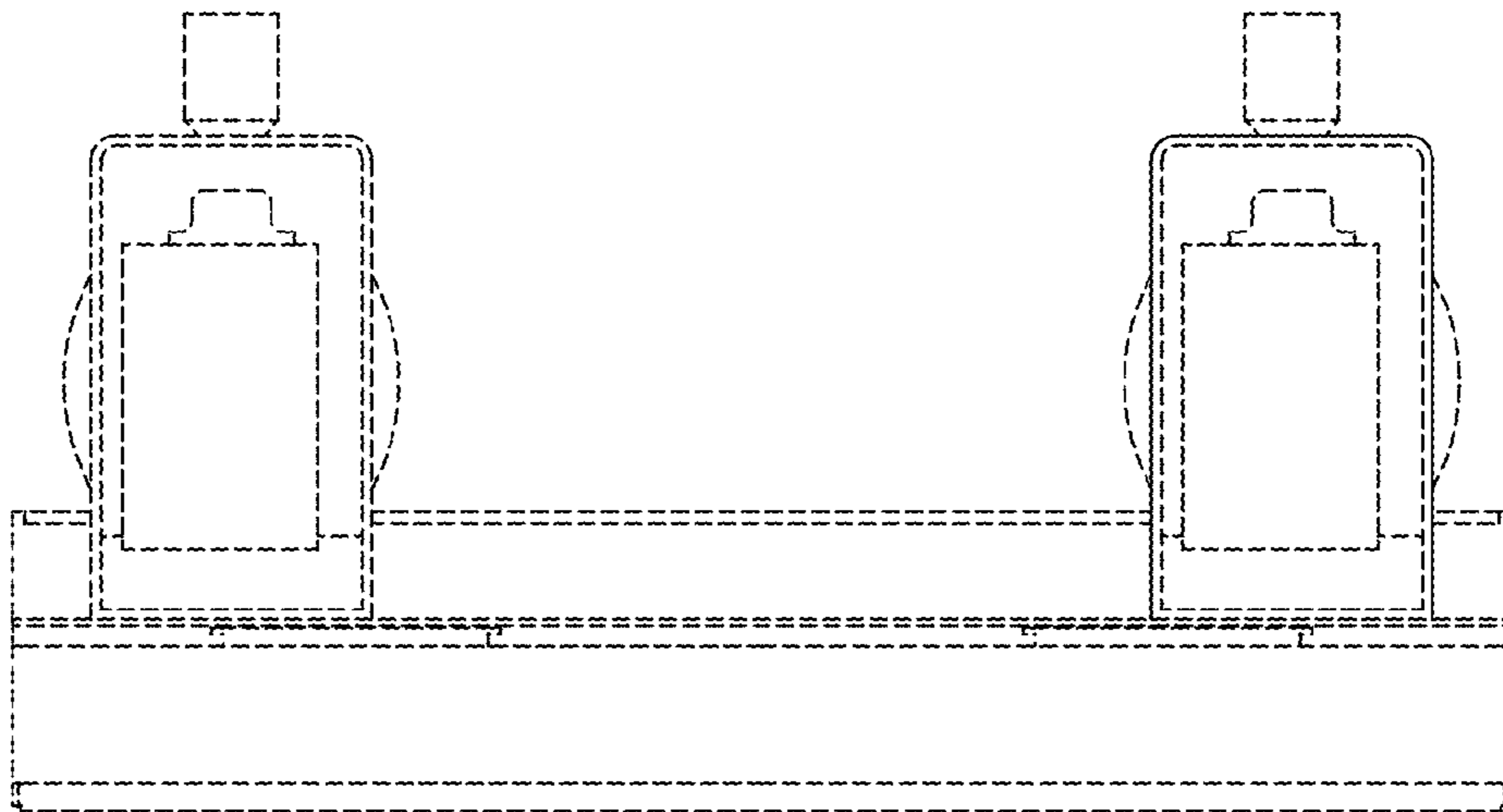


Fig. 3

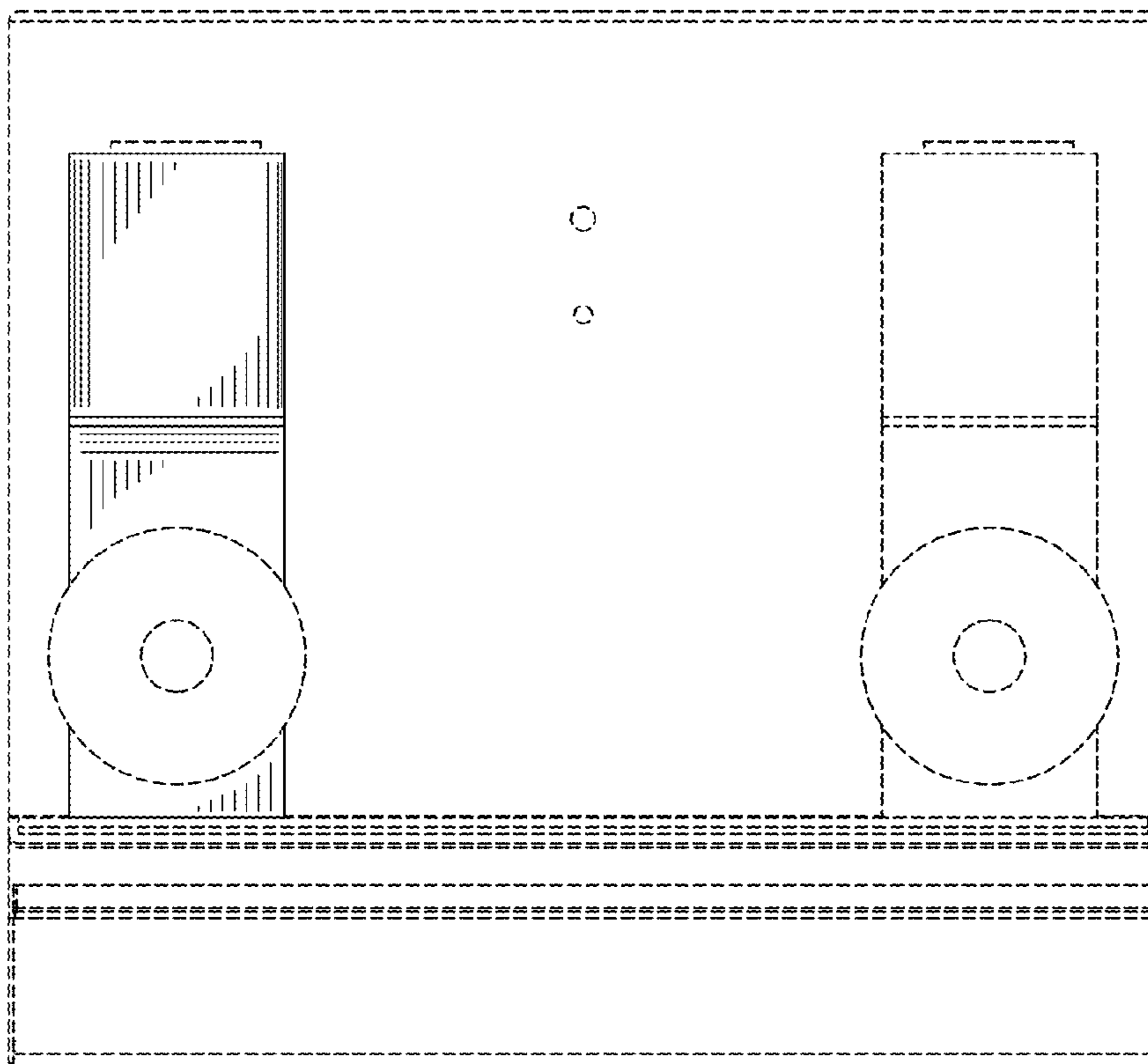


Fig. 4

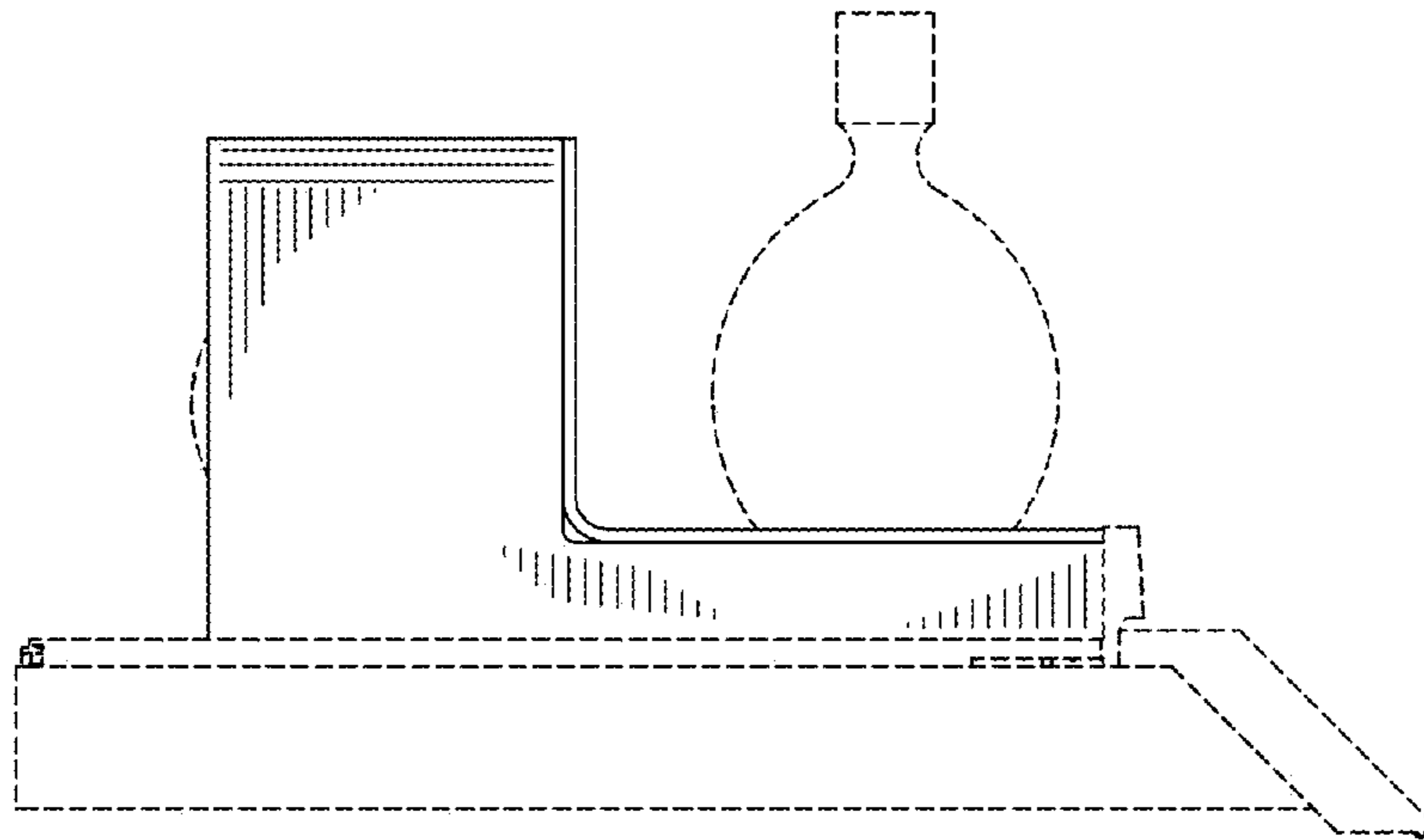


Fig. 5

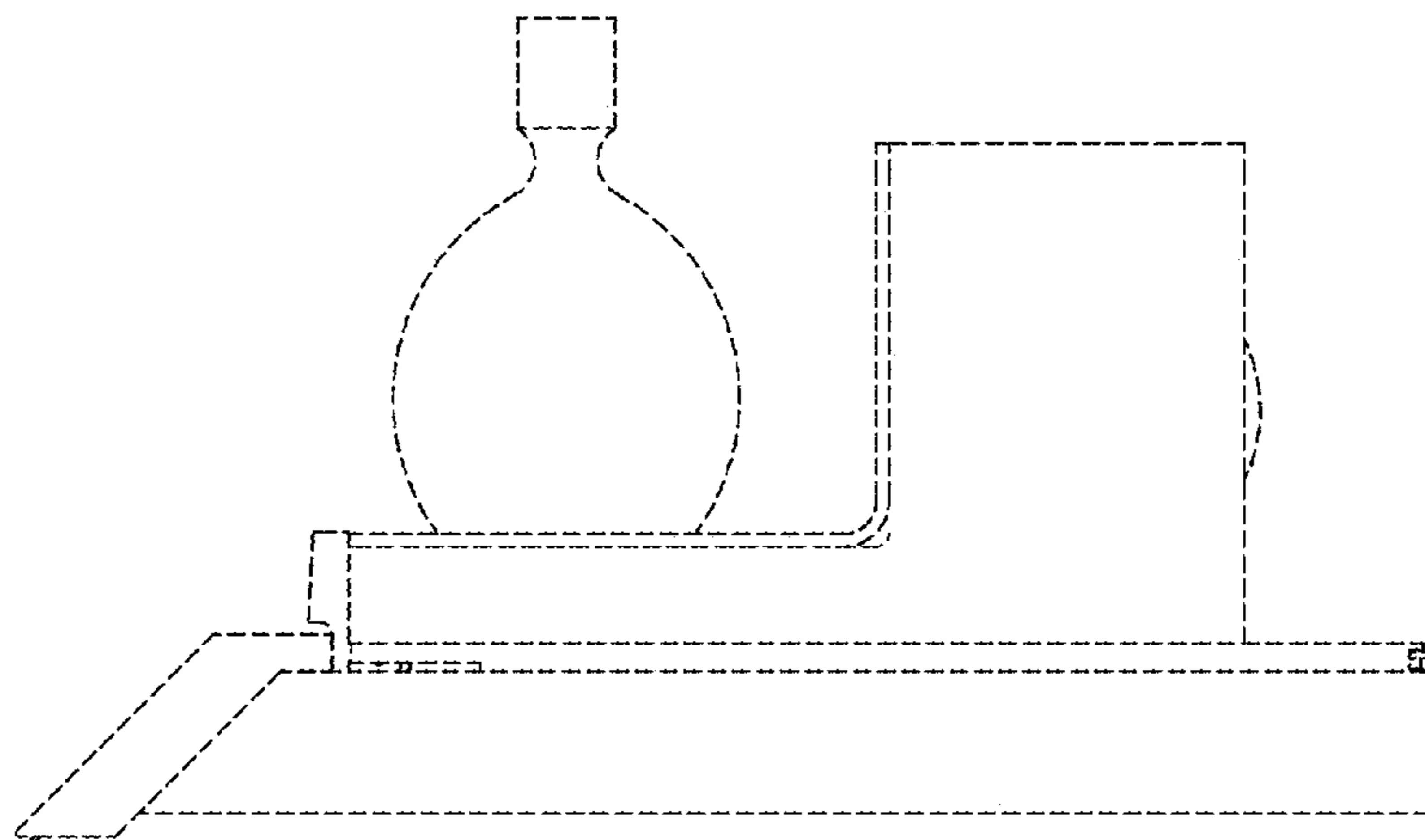


Fig. 6

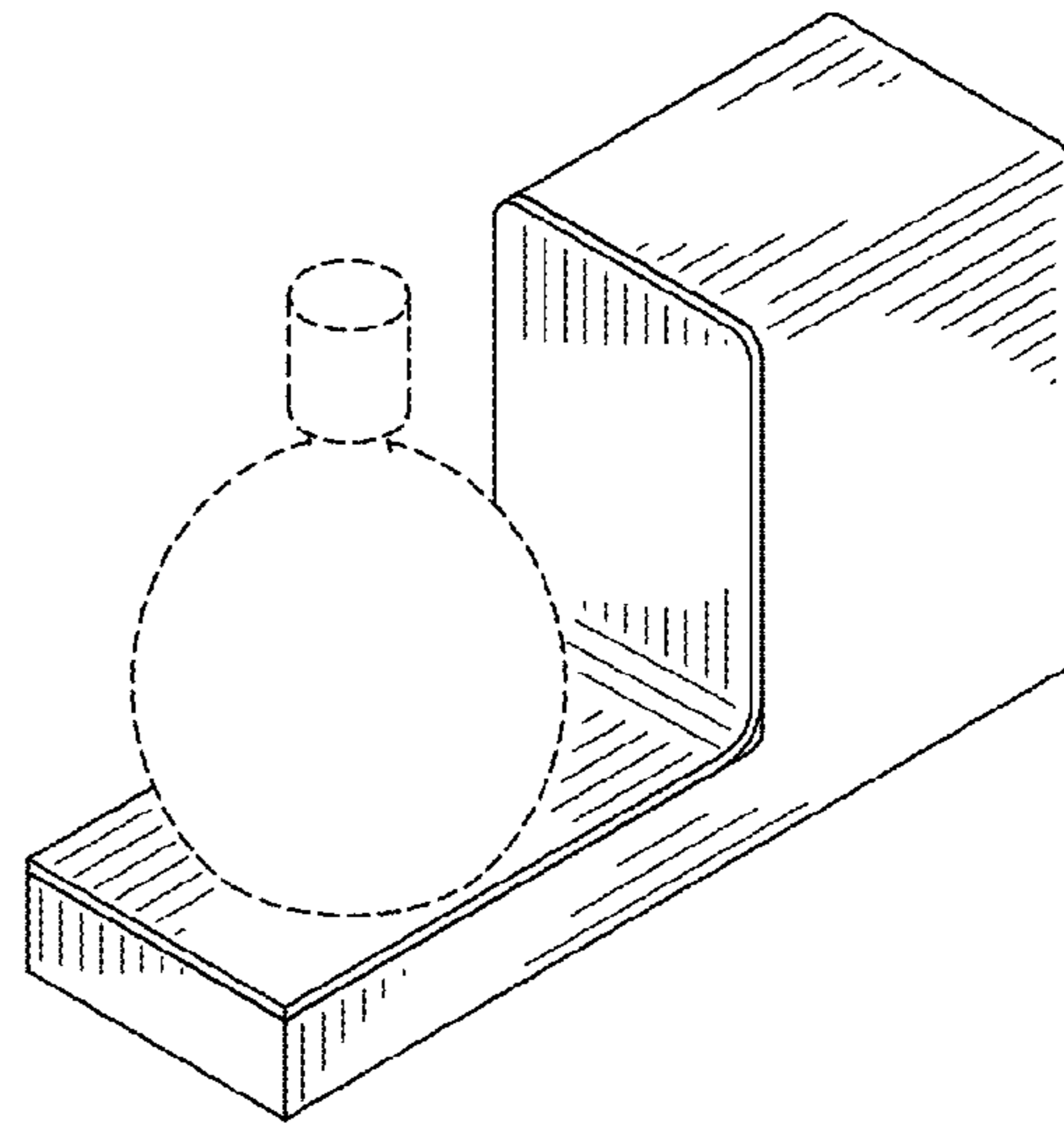


Fig. 7

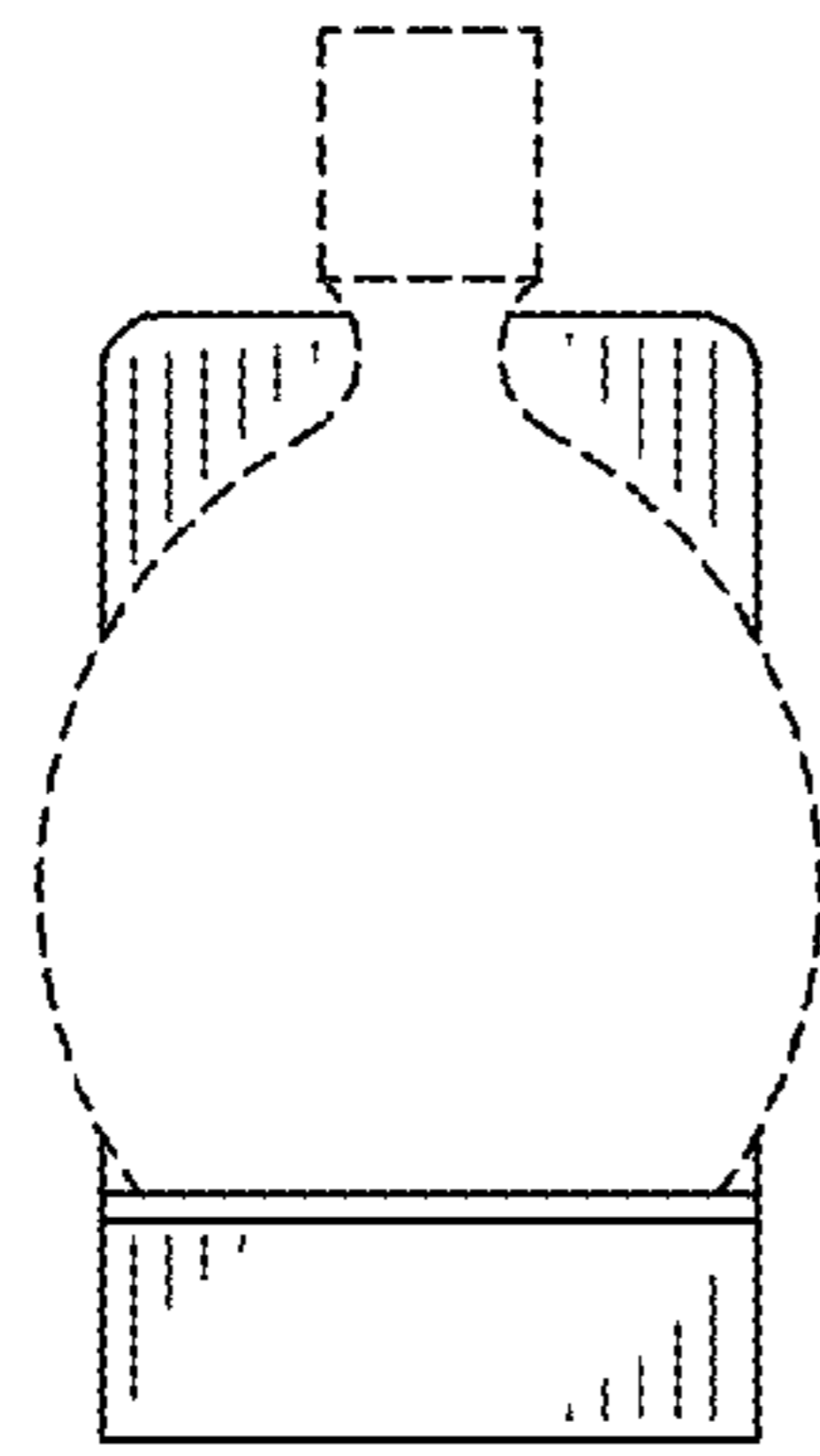


Fig. 8

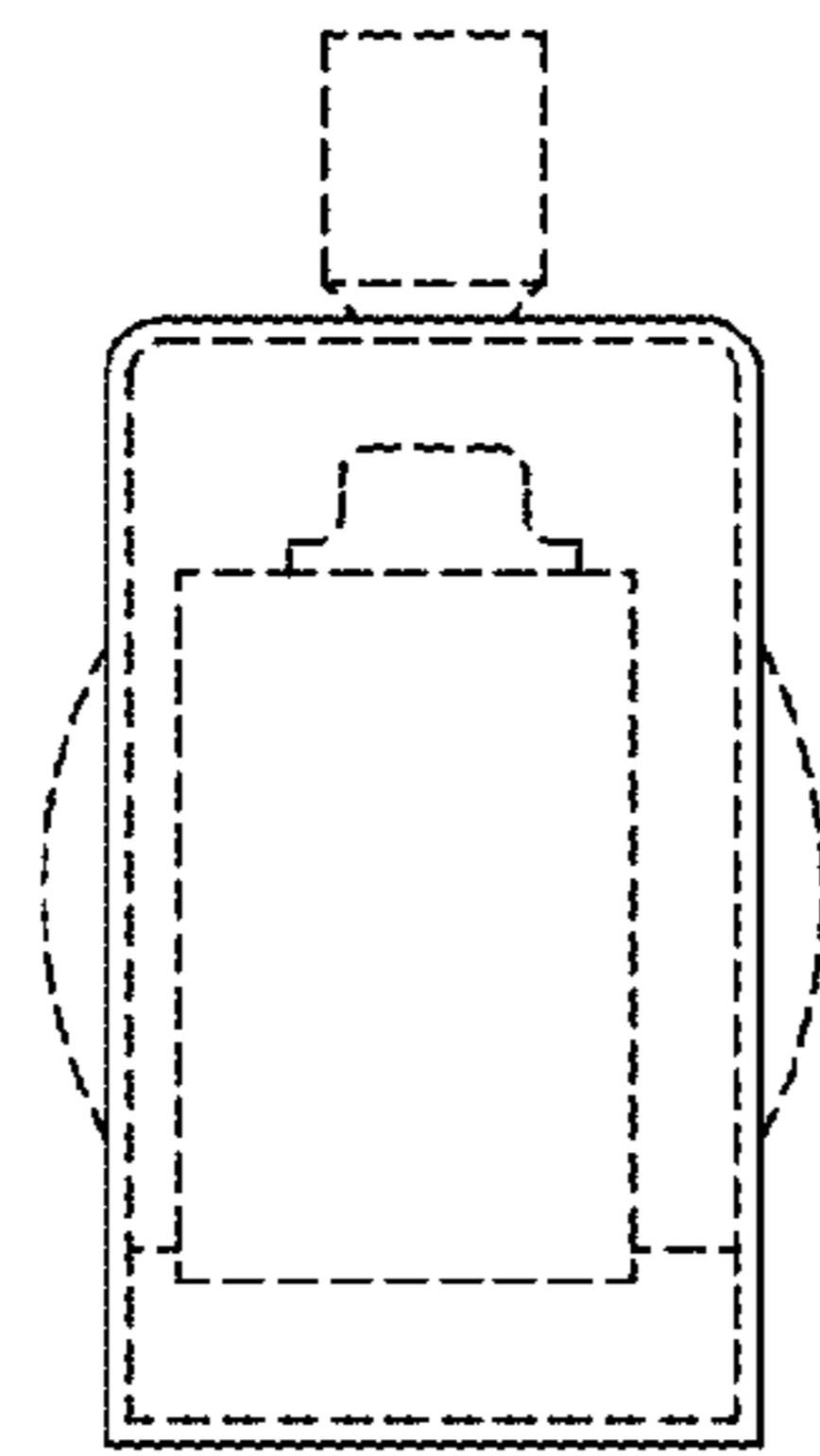


Fig. 9

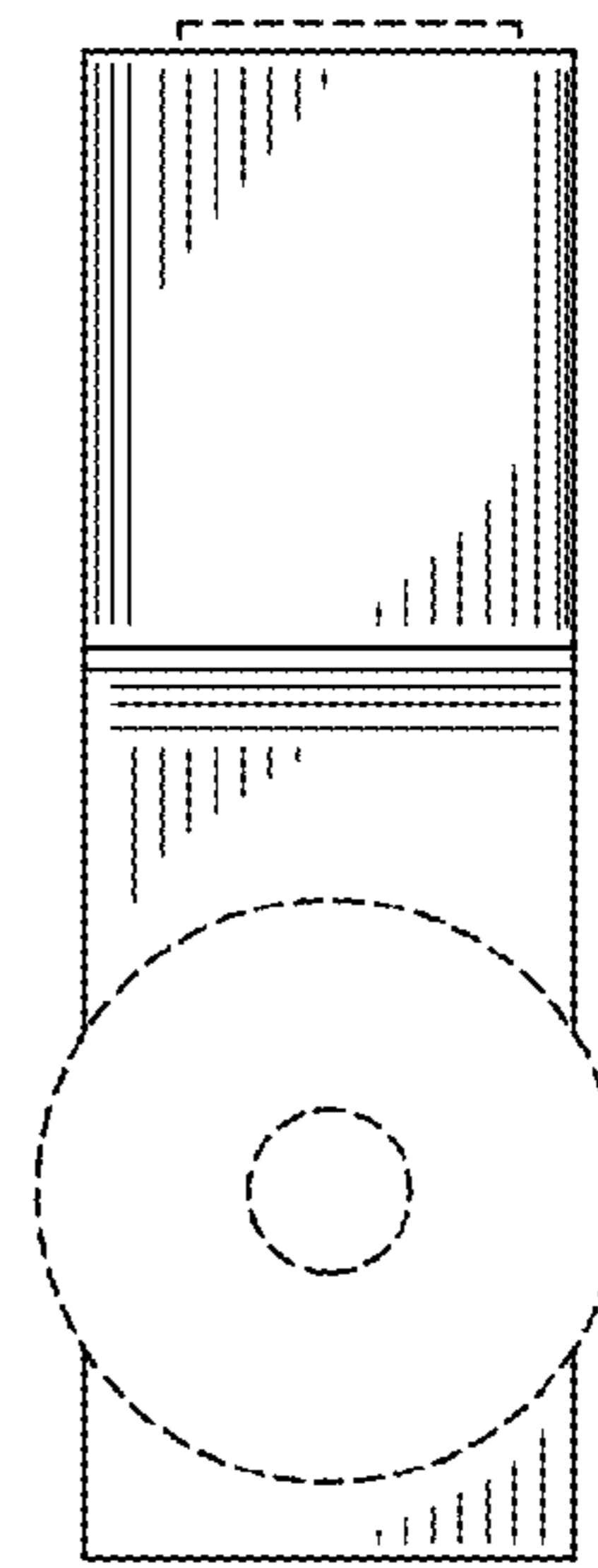


Fig. 10

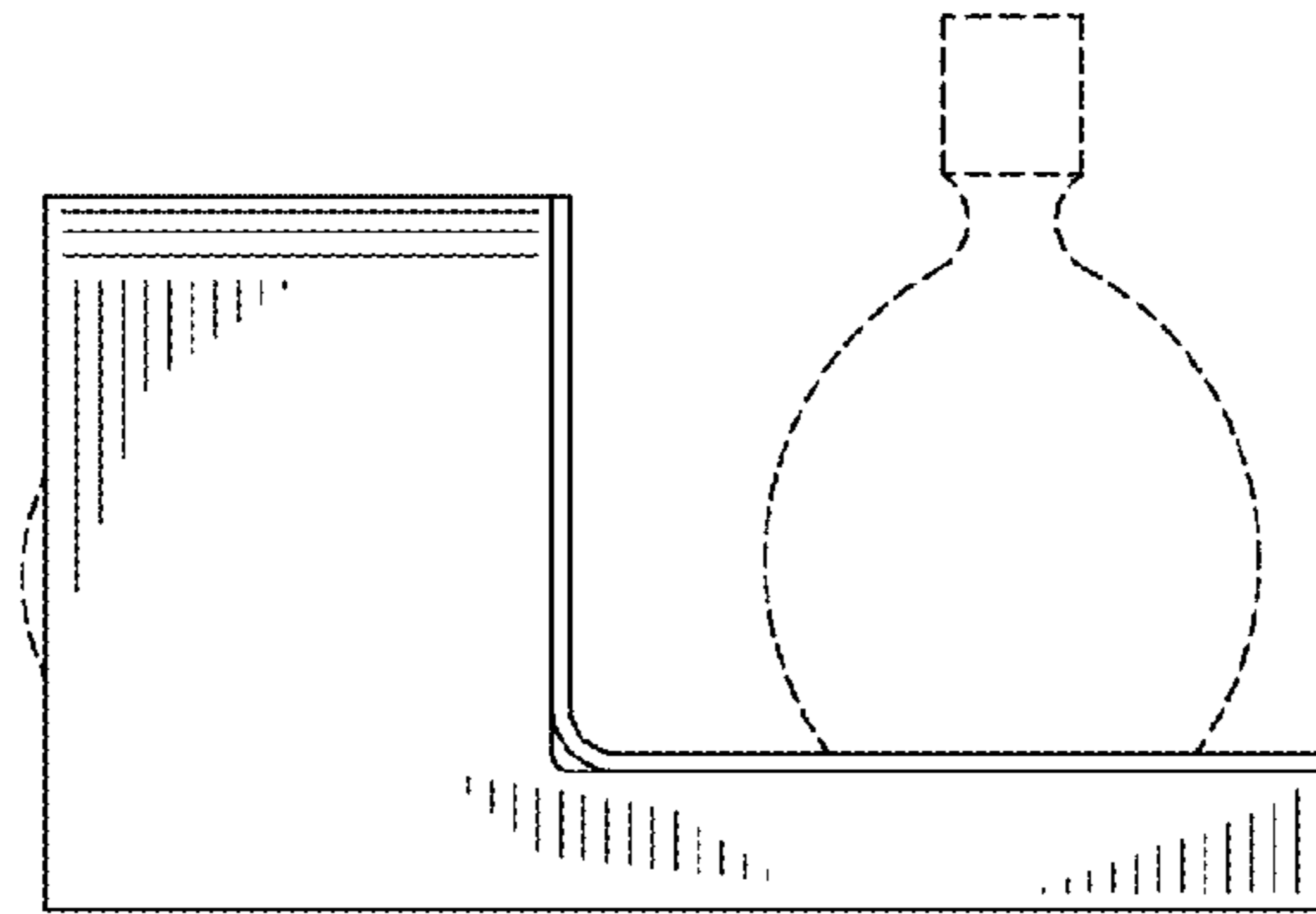


Fig. 11

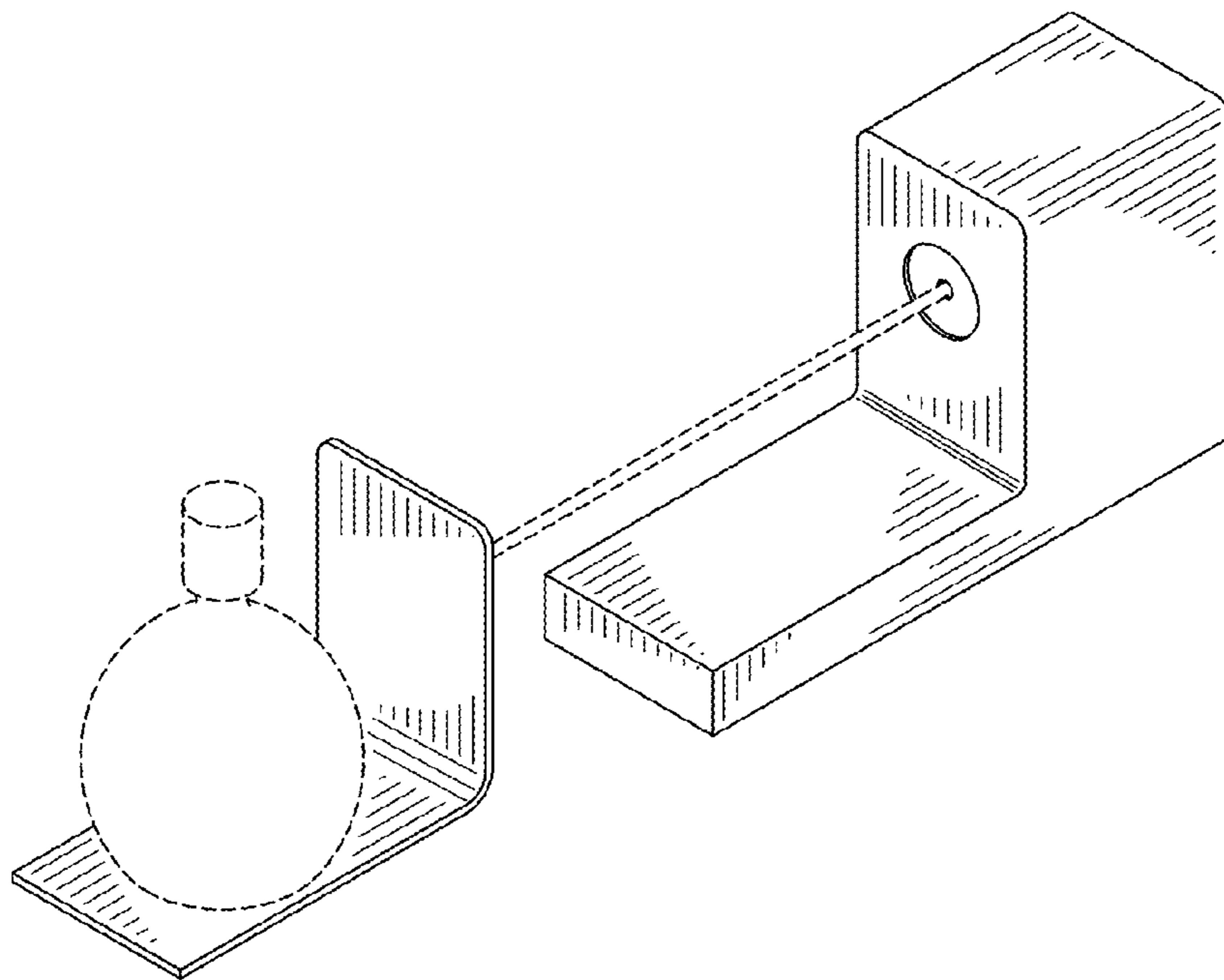


Fig. 12