



US00D763012S

(12) **United States Design Patent**
Maier et al.

(10) **Patent No.:** **US D763,012 S**
(45) **Date of Patent:** **** Aug. 9, 2016**

- (54) **INFANT NECK AND HEAD REST** 2,521,780 A * 9/1950 Dodd A47G 9/1036
4/523
- (71) Applicants: **Christopher P. Maier**, Newton, NJ 2,531,724 A 11/1950 Cevasco
(US); **Tiffany L. Maier**, Newton, NJ 2,645,781 A 7/1953 Mover
(US) D259,274 S 5/1981 Humes
D259,458 S 6/1981 Fuller et al.
D263,190 S 3/1982 Herr
4,731,891 A * 3/1988 Scheurer A47K 3/001
5/636
5,140,713 A * 8/1992 Pesterfield A47K 3/125
4/575.1
- (72) Inventors: **Christopher P. Maier**, Newton, NJ
(US); **Tiffany L. Maier**, Newton, NJ
(US)
- (**) Term: **14 Years** 5,276,926 A 1/1994 Lopez
5,425,149 A 6/1995 Crossley et al.
5,588,159 A 12/1996 Poulson et al.
- (21) Appl. No.: **29/507,476** 6,018,826 A 2/2000 Yang
7,065,805 B1 6/2006 Sundberg
- (22) Filed: **Oct. 28, 2014**

* cited by examiner

Related U.S. Application Data

- (63) Continuation of application No. 13/417,845, filed on Mar. 12, 2012, now abandoned.
- (51) **LOC (10) Cl.** **06-09**
- (52) **U.S. Cl.**
USPC **D6/601**
- (58) **Field of Classification Search**
USPC D6/595-601, 604-606; D24/183;
D1/104, 106, 126-128; D21/803, 804,
D21/808
CPC A47C 20/00; A47C 20/021; A47C 20/026;
A47C 20/027; A47C 7/021; A47C 16/00;
A47G 9/10; A47G 9/1027; A47G 9/1045;
A47G 9/1054; A47G 9/1063; A47G 9/1072;
A47G 9/1081; A47G 9/109; A47G 9/00;
A47K 1/08; A47K 3/00; A47K 3/001; A47K
3/12
See application file for complete search history.

Primary Examiner — Mary Ann Calabrese

(74) *Attorney, Agent, or Firm* — Montgomery Patent & Design, LLC; Robert C Montgomery

(57) **CLAIM**

The ornamental design for an infant neck and head rest, as shown and described.

DESCRIPTION

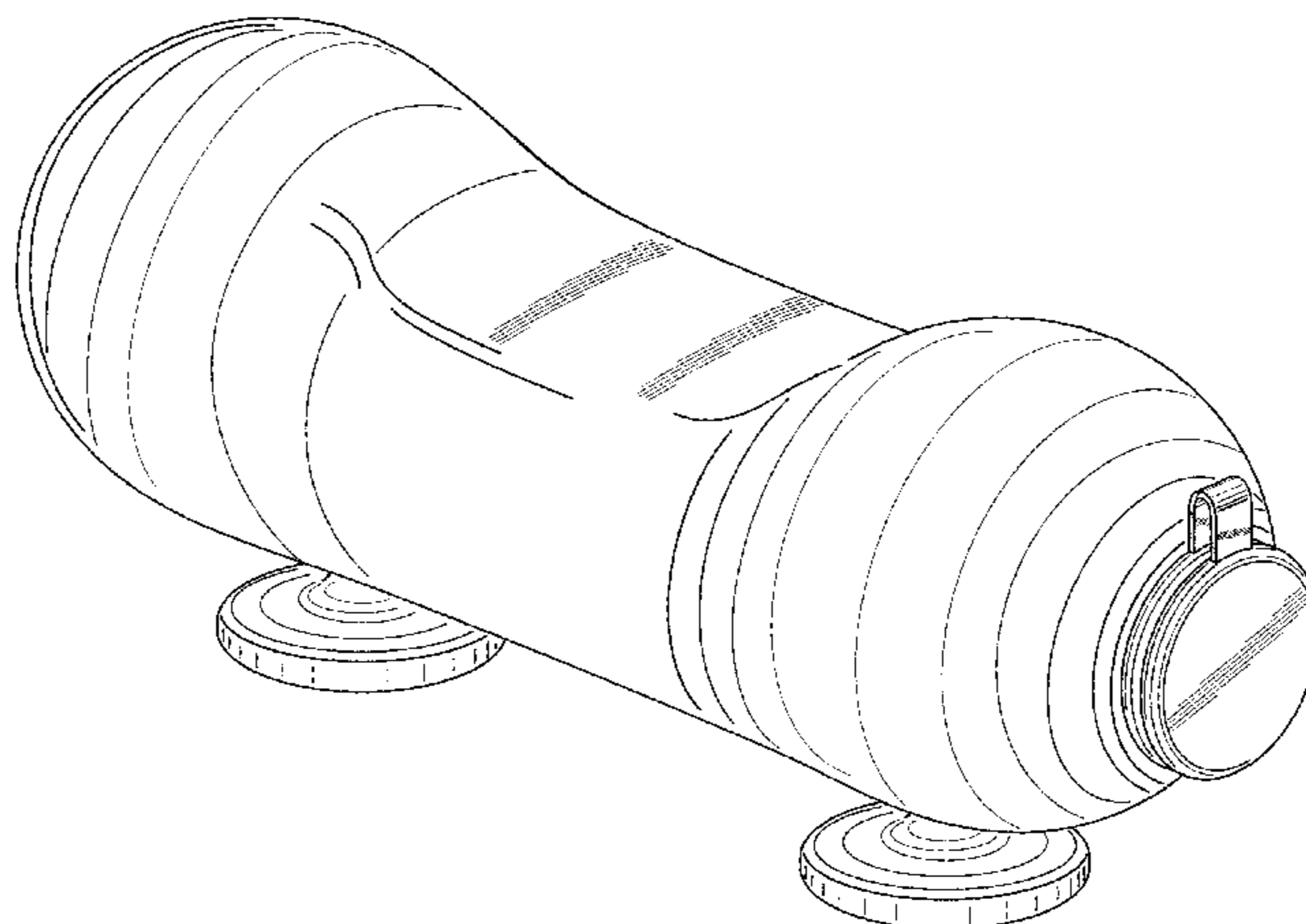
FIG. 1 is a perspective front view of the infant neck and head rest with the lid being closed, showing our new design;
 FIG. 2 is a perspective front view of the infant neck and head rest with the lid being open;
 FIG. 3 is a front view of FIG. 2 thereof;
 FIG. 4 is a rear view of FIG. 2 thereof;
 FIG. 5 is a left side view of FIG. 2 with the right side view being a mirror image thereof;
 FIG. 6 is a top view of FIG. 2 thereof; and,
 FIG. 7 is a bottom view FIG. 2 thereof.
 The broken lines shown in FIG. 2 illustrate the interior of the infant neck and head rest and form no part of the claimed design.

(56) **References Cited**

U.S. PATENT DOCUMENTS

- 2,161,590 A * 6/1939 Rickard A47K 1/08
4/523
- 2,505,252 A 4/1950 Langley

1 Claim, 7 Drawing Sheets



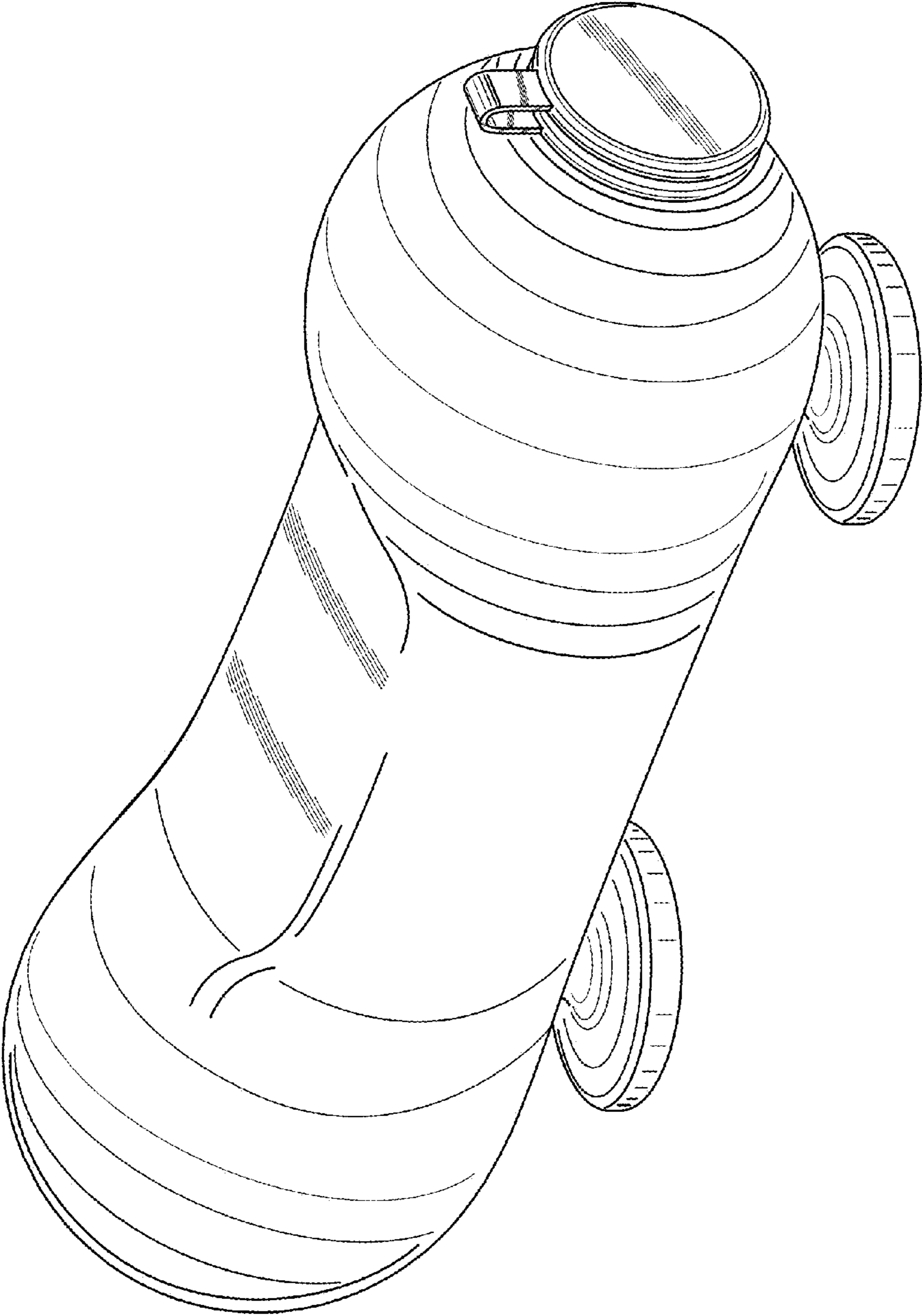


Fig. 1

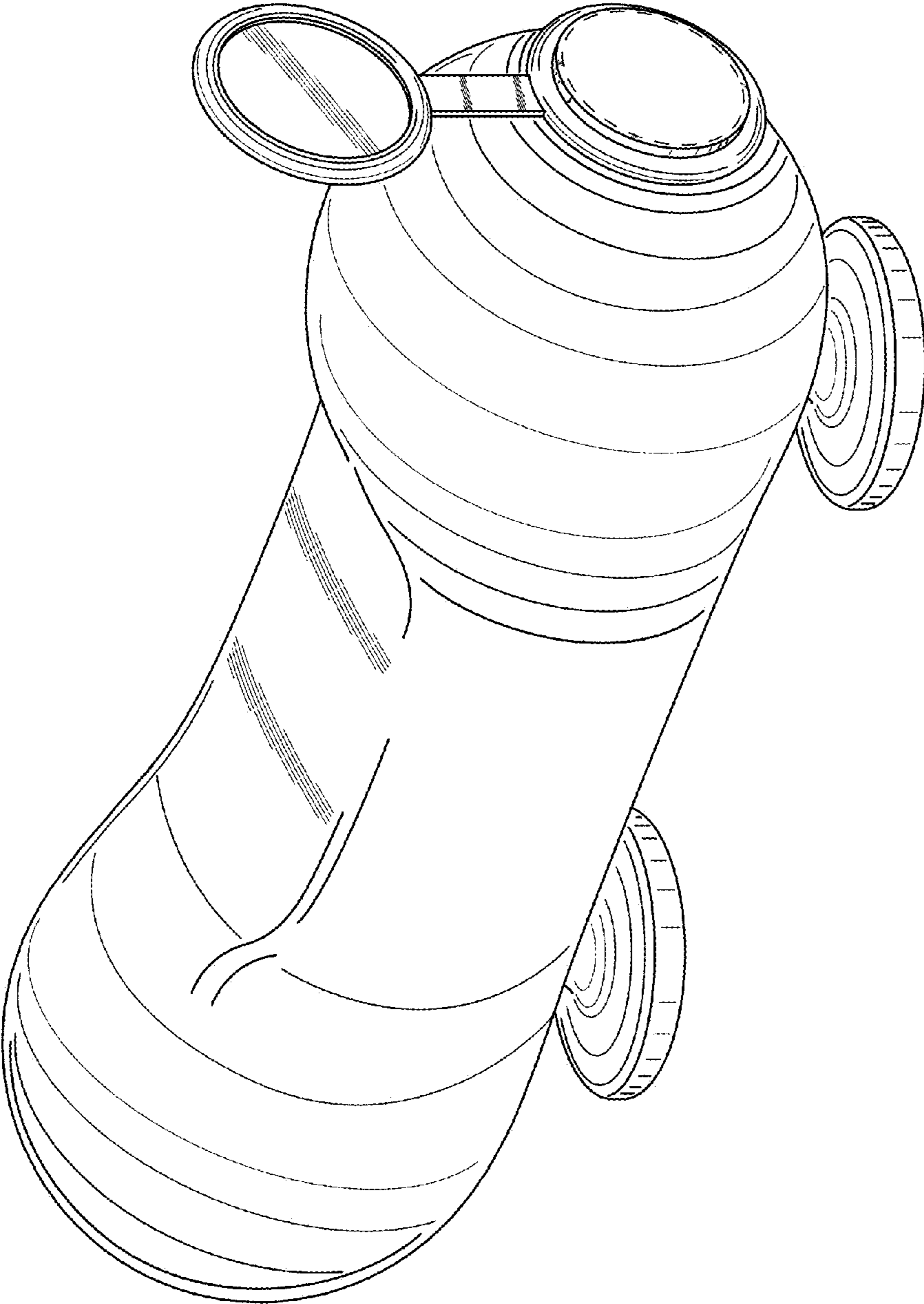


Fig. 2

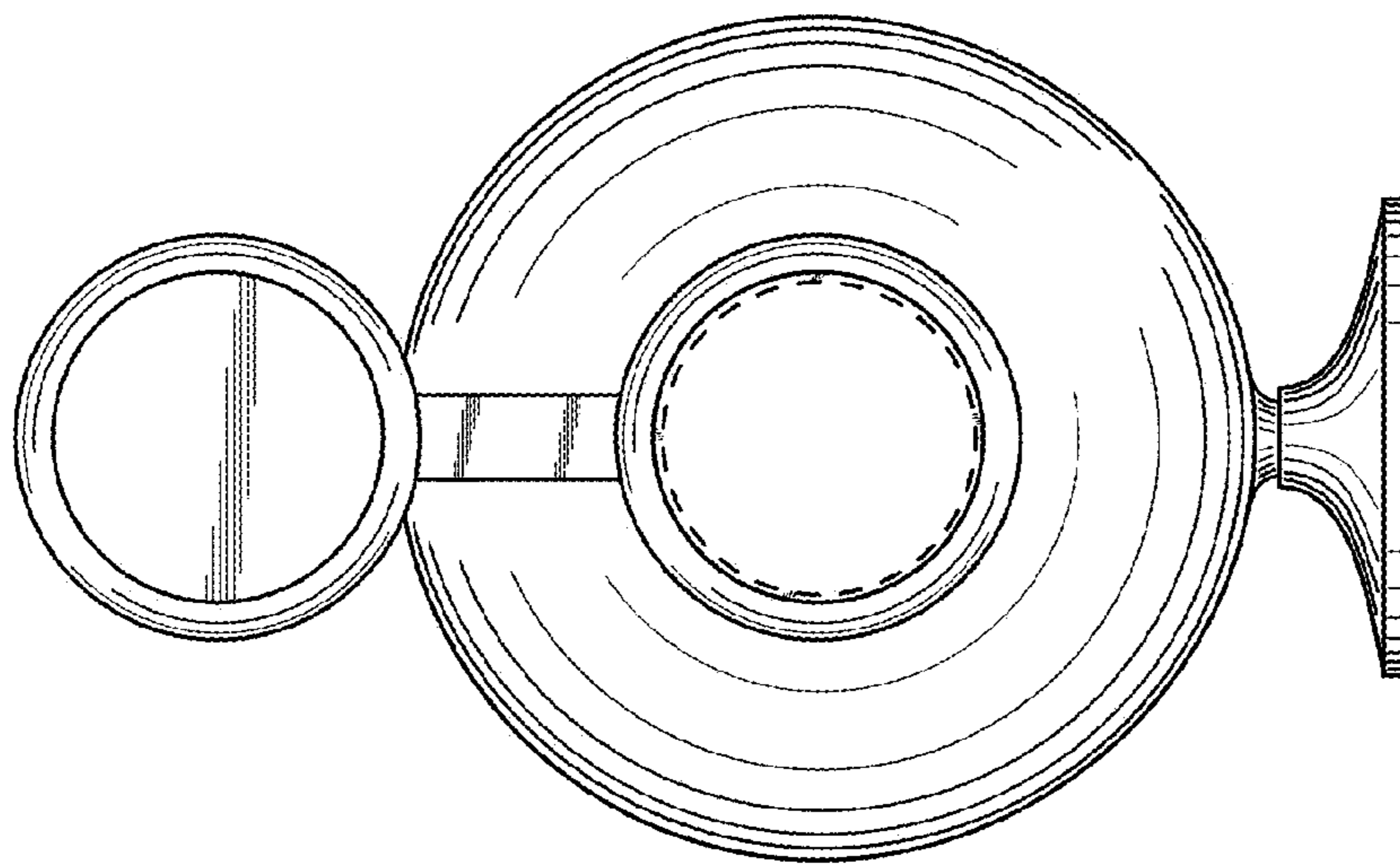


Fig. 3

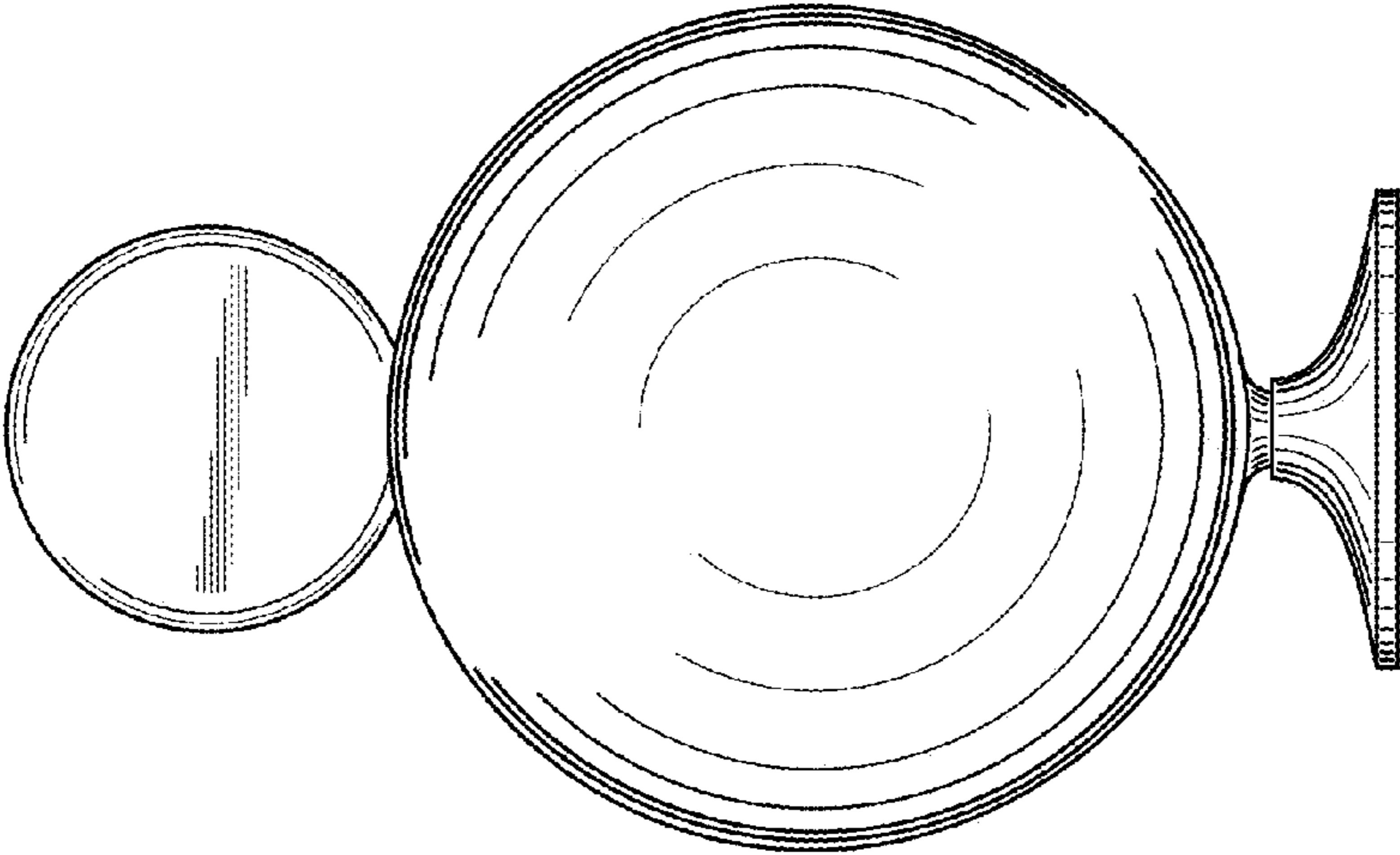


Fig. 4

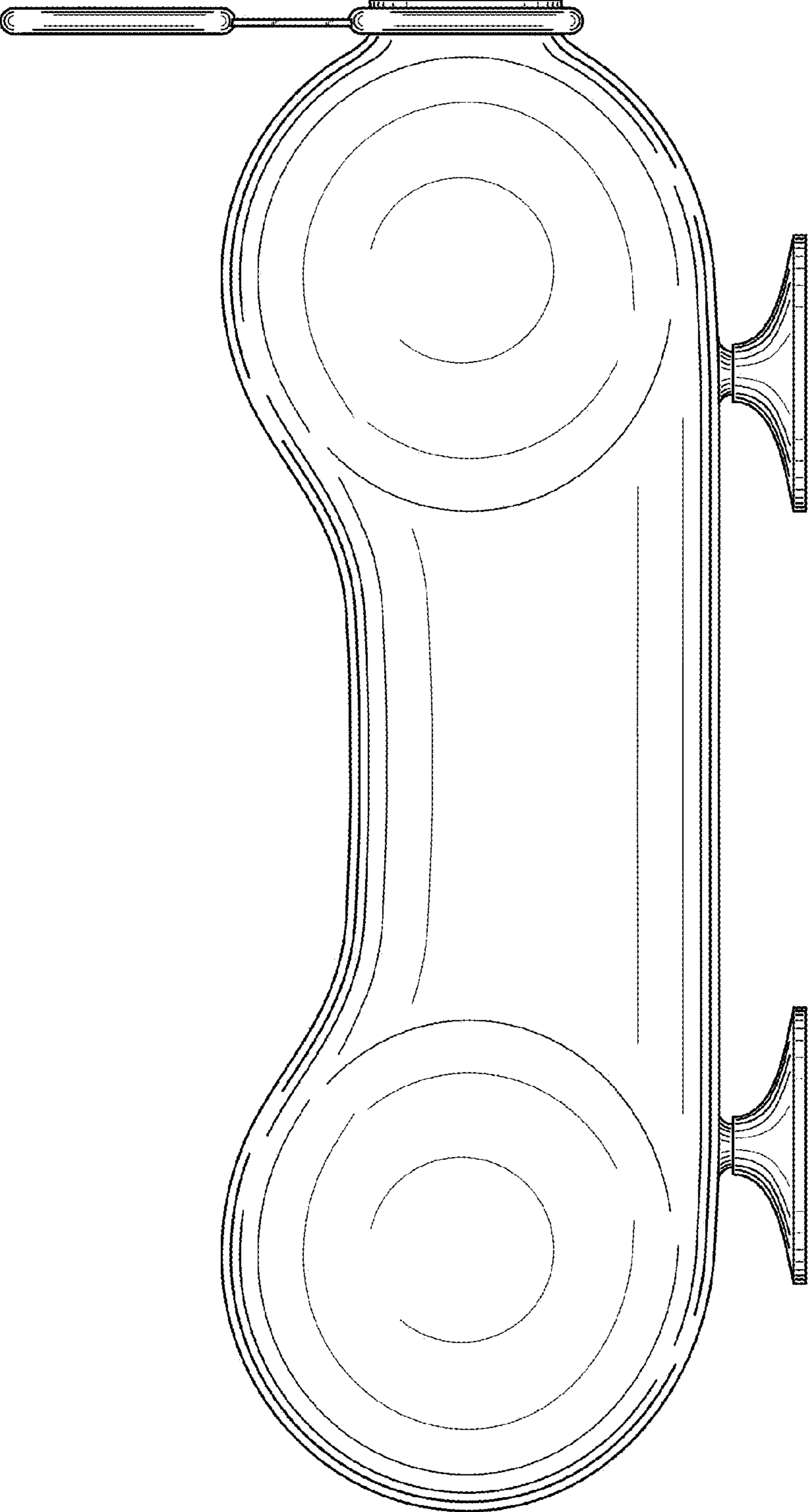


Fig. 5

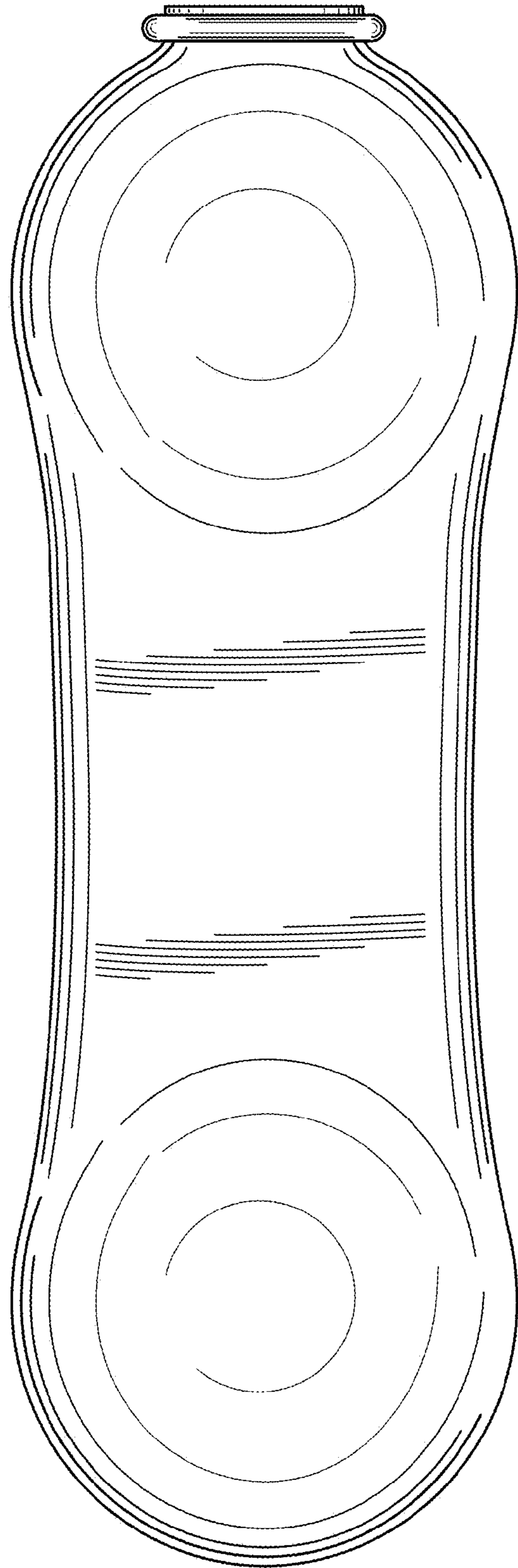


Fig. 6

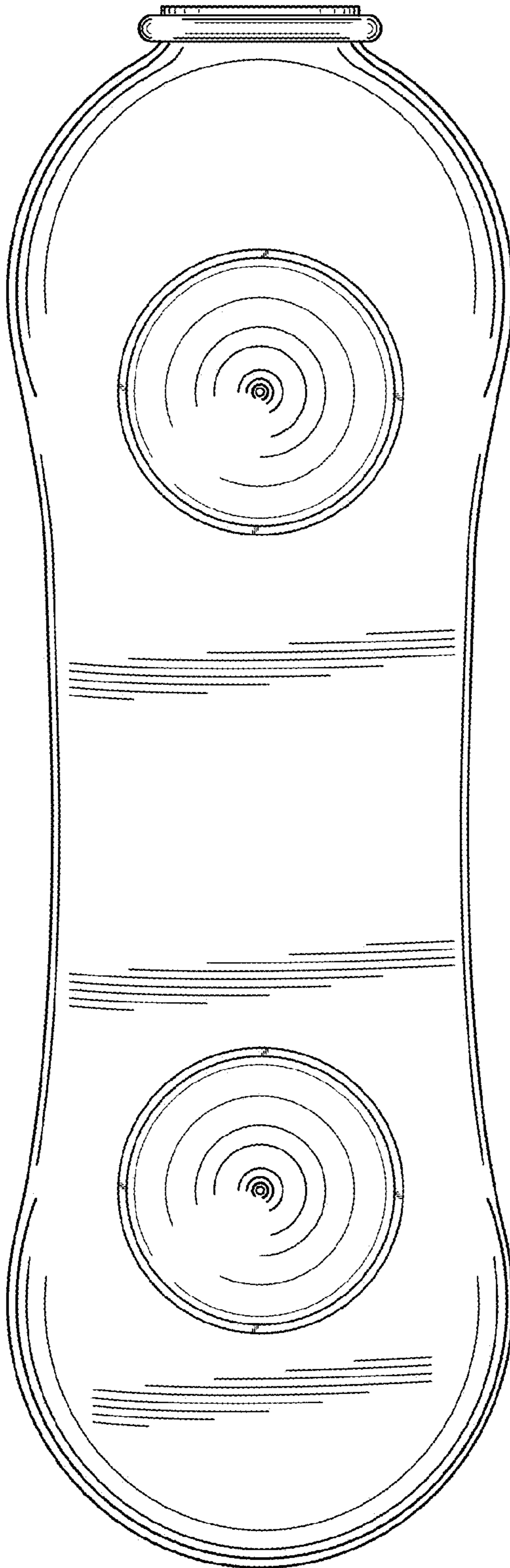


Fig. 7