

US00D763011S

(12) **United States Design Patent**
Calkins

(10) **Patent No.:** **US D763,011 S**
(45) **Date of Patent:** **** *Aug. 9, 2016**

(54) **TRANSLUCENT MAT WITH RIBBED PATTERN**

(71) Applicant: **Kittrich Corporation**, La Mirada, CA (US)

(72) Inventor: **Mark A Calkins**, La Mirada, CA (US)

(73) Assignee: **KITTRICH CORPORATION**, Pomona, CA (US)

(*) Notice: This patent is subject to a terminal disclaimer.

(**) Term: **14 Years**

(21) Appl. No.: **29/471,147**

(22) Filed: **Oct. 29, 2013**

Related U.S. Application Data

(62) Division of application No. 29/414,783, filed on Mar. 2, 2012, now Pat. No. Des. 692,257.

(51) **LOC (10) Cl.** **06-11**

(52) **U.S. Cl.**
USPC **D6/582**

(58) **Field of Classification Search**

USPC D5/15, 25, 43, 46, 58, 60, 61; D6/582, D6/583, 592, 594, 613, 615, 616, 618; D12/203; 4/581, 582; 5/417, 420; 15/215, 238; 428/46; 482/23, 91, 140, 482/141, 142, 148; 296/97.23

CPC A47G 27/0212; A47G 27/0218; A47G 27/0237; A47G 27/0243; A47G 27/0306; A63B 6/00; A63B 21/1473; A63B 2071/0694

See application file for complete search history.

(56) **References Cited**

U.S. PATENT DOCUMENTS

567,985 A 9/1896 Le Clair
961,929 A 6/1910 Bouchard

1,579,016 A	3/1926	Marks	
1,896,325 A	2/1933	Noonan	
2,512,310 A	6/1950	Corson	
D171,301 S	1/1954	Kravitz	
2,908,027 A	10/1959	McClung	
D187,639 S	4/1960	Timmons	
3,083,128 A	3/1963	Herrington et al.	
3,143,208 A	8/1964	Sizemore	
3,148,482 A	9/1964	Neale	
D207,487 S	4/1967	Briggs et al.	
3,706,636 A	12/1972	Bride	
D270,801 S	10/1983	Curatolo	
4,952,434 A	8/1990	Rumsey et al.	
D310,460 S	9/1990	Vergnano	
5,198,275 A	3/1993	Klein	
D370,817 S	6/1996	Reardon	
D378,645 S	4/1997	Reardon	
6,007,886 A	12/1999	Takigami	
6,042,915 A *	3/2000	Kessler	428/45
6,238,762 B1	5/2001	Friedland et al.	

(Continued)

Primary Examiner — Eric Goodman

Assistant Examiner — Amy Wierenga

(74) *Attorney, Agent, or Firm* — Leason Ellis LLP

(57) **CLAIM**

The ornamental design for a translucent mat with ribbed pattern, as shown and described.

DESCRIPTION

FIG. 1 is a side view of the translucent mat with ribbed pattern, the right side view of the figure is representative of the top plan view in FIG. 2;

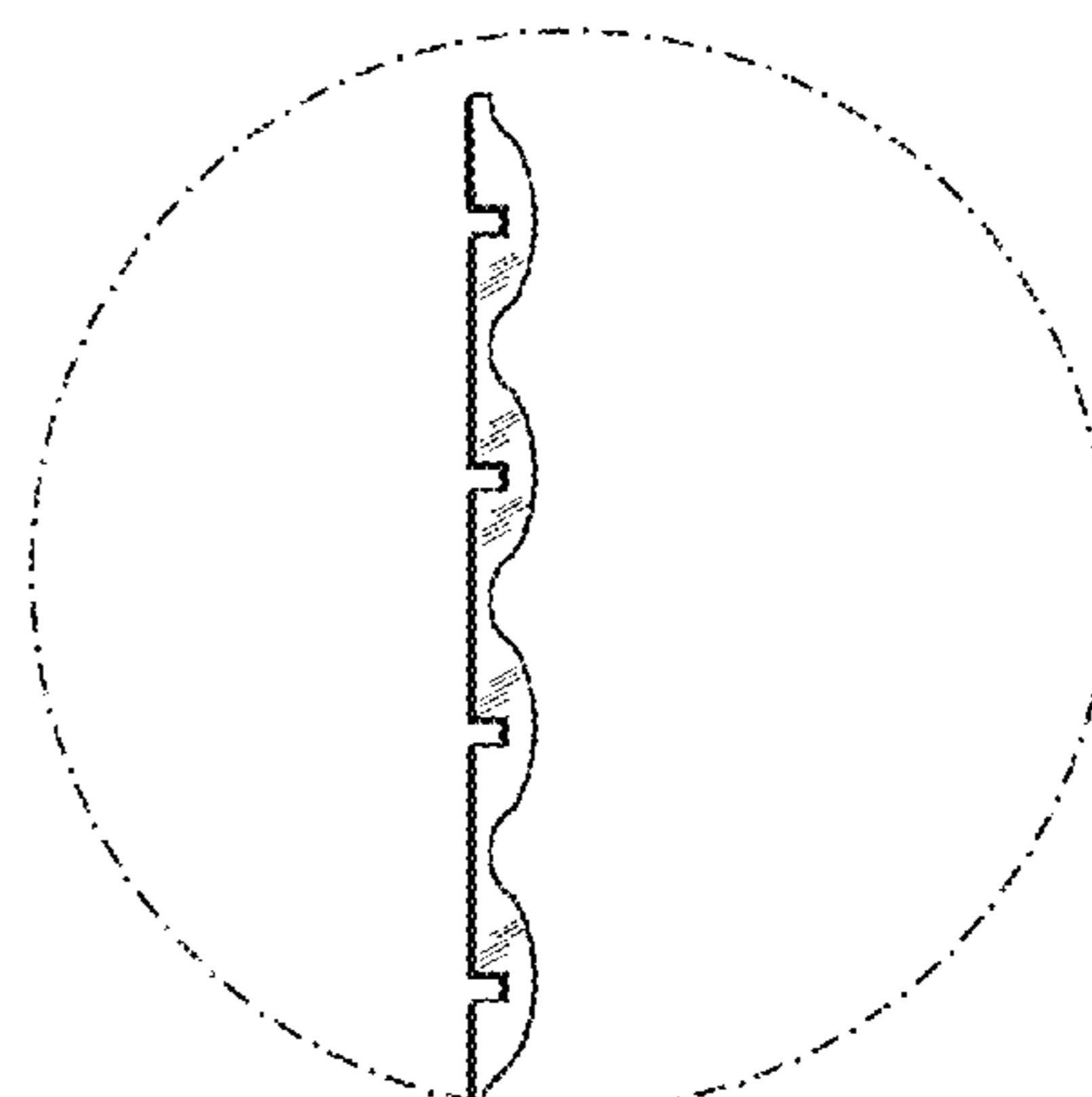
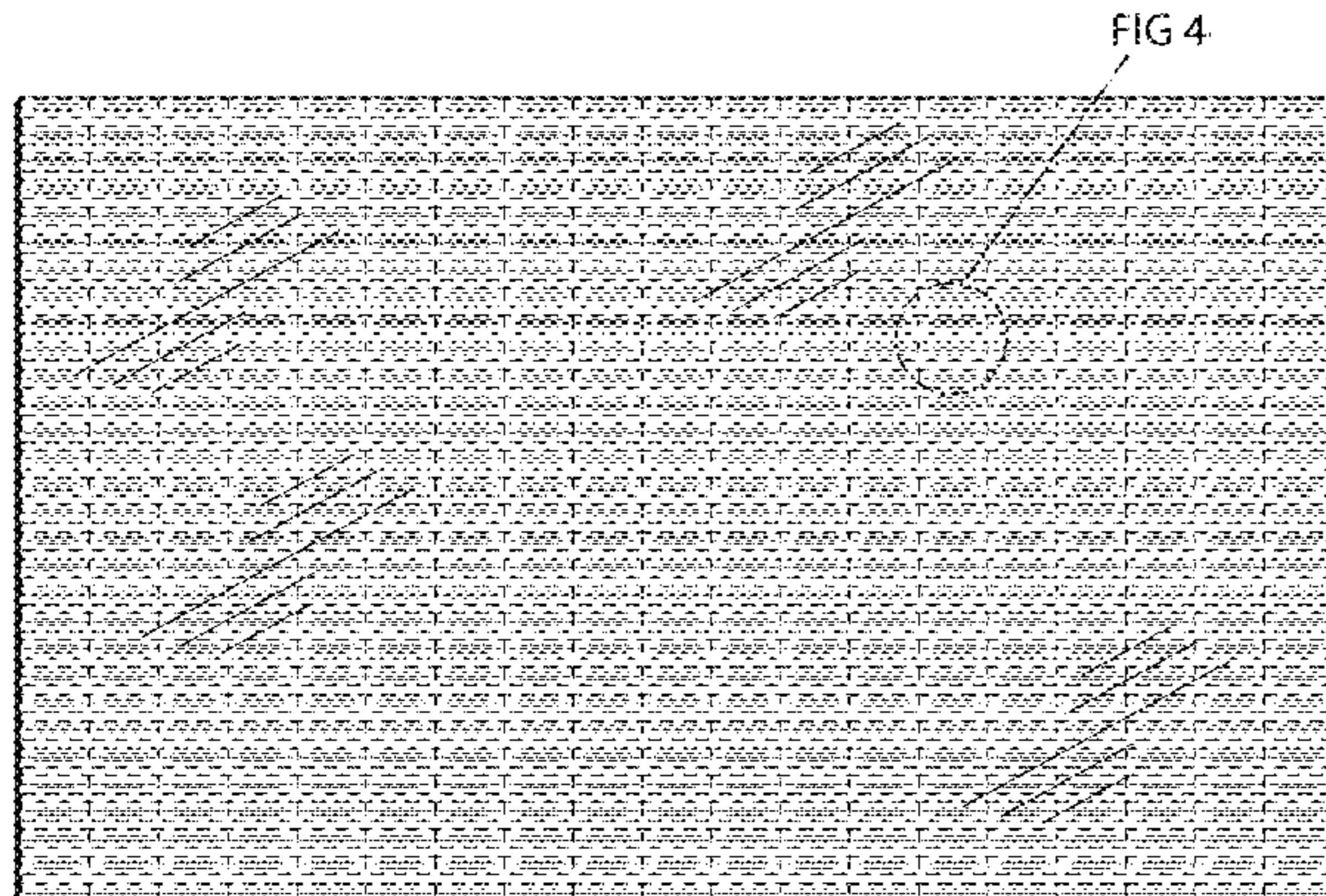
FIG. 2 is a top plan view;

FIG. 3 is an enlarged detail view of area 3 circumscribed within or on FIG. 1; and,

FIG. 4 is an enlarged detail view of area 4 circumscribed within or on FIG. 2.

The portions of the translucent mat with ribbed pattern shown in broken lines form no part of the claimed design.

1 Claim, 1 Drawing Sheet



(56)

References Cited

U.S. PATENT DOCUMENTS

D456,197 S *	4/2002	McClure et al.	D6/596	D659,458 S *	5/2012	Lerman	D6/585
6,444,284 B1	9/2002	Kessler et al.			D692,256 S *	10/2013	Calkins	D6/582
6,505,444 B1	1/2003	Johnson			D692,257 S *	10/2013	Calkins	D6/582
6,740,380 B2 *	5/2004	Kessler	428/45	8,631,833 B2 *	1/2014	Garbarino	139/426 R
6,760,937 B1 *	7/2004	Ou	5/652.1	D702,950 S *	4/2014	Su	D5/54
D521,302 S *	5/2006	Yeh et al.	D6/608	D721,410 S *	1/2015	Curley	D21/662
D572,068 S *	7/2008	Lin	D6/582	2002/0020123 A1	2/2002	Kessler et al.		
D601,375 S	10/2009	Venugopal			2005/0192158 A1 *	9/2005	Edwards	482/23
D628,003 S	11/2010	Venugopal			2005/0250631 A1 *	11/2005	Su-Tuan	482/148
8,021,733 B2 *	9/2011	Carter-Patterson et al.	..	428/64.1	2008/0214361 A1 *	9/2008	Oster	482/23
					2009/0093342 A1 *	4/2009	Devore	482/23
					2013/0276230 A1 *	10/2013	Kress	5/419
					2014/0242357 A1 *	8/2014	Morris	428/196

* cited by examiner



FIG 1.

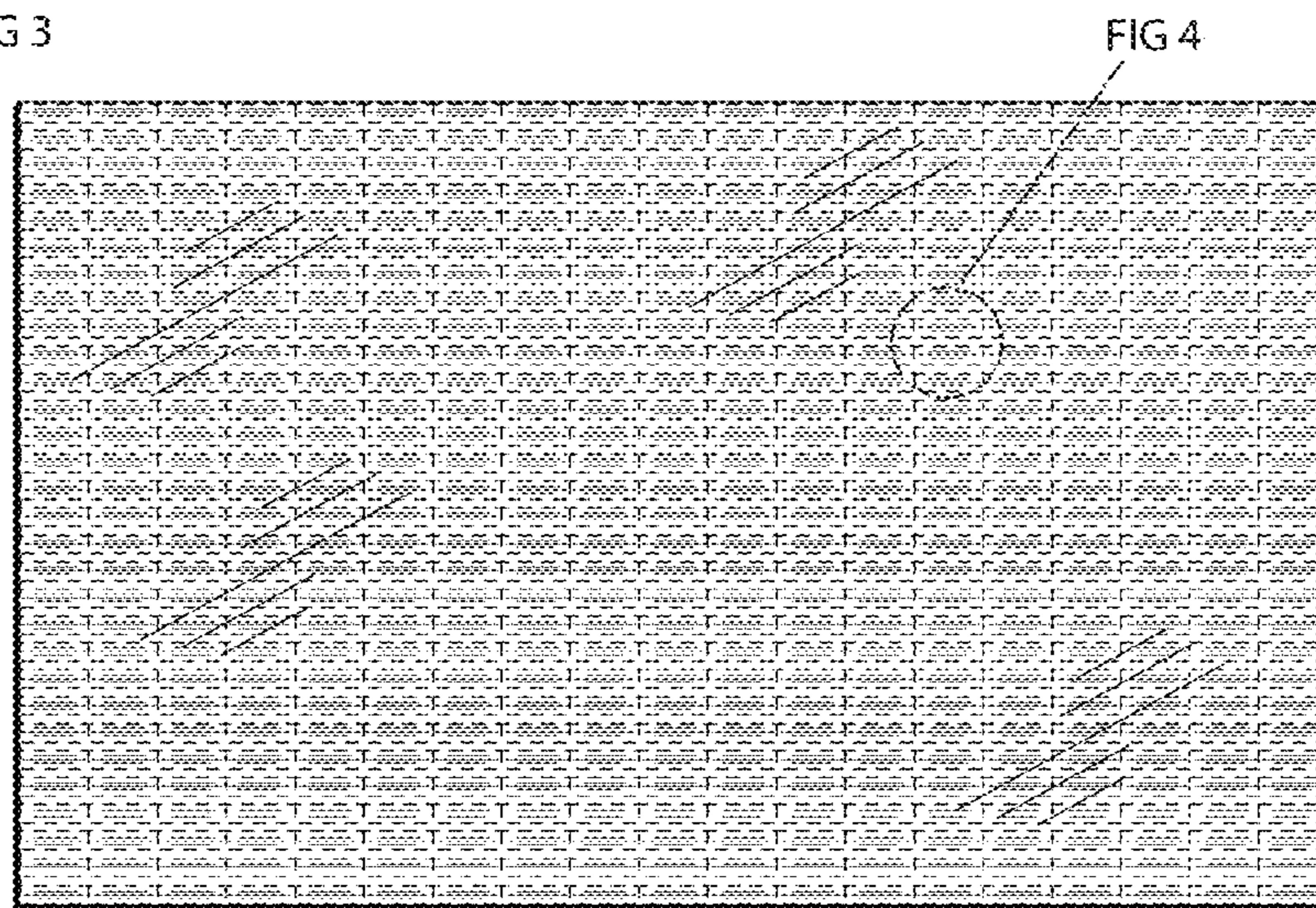


FIG 2.

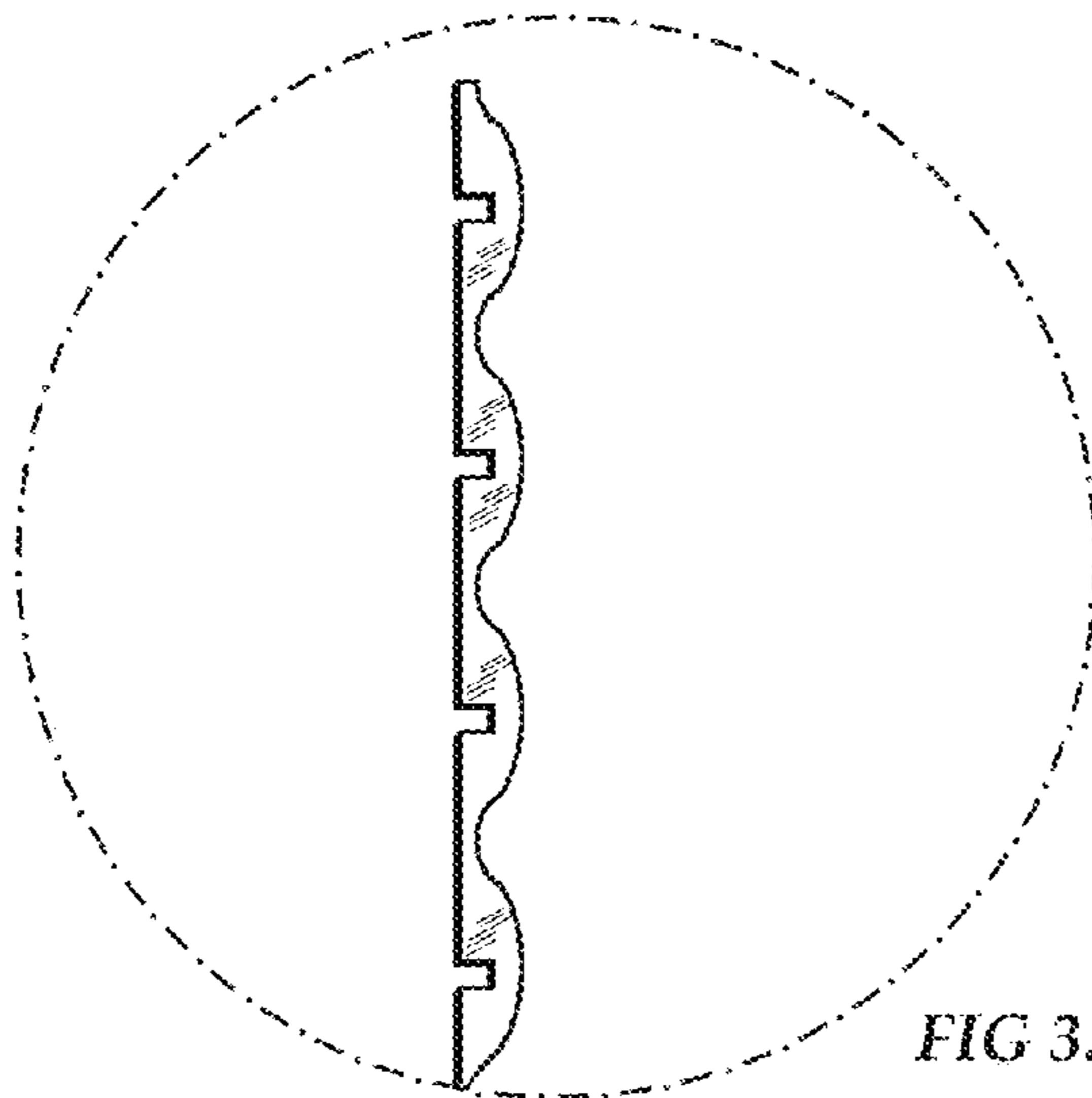


FIG 3.

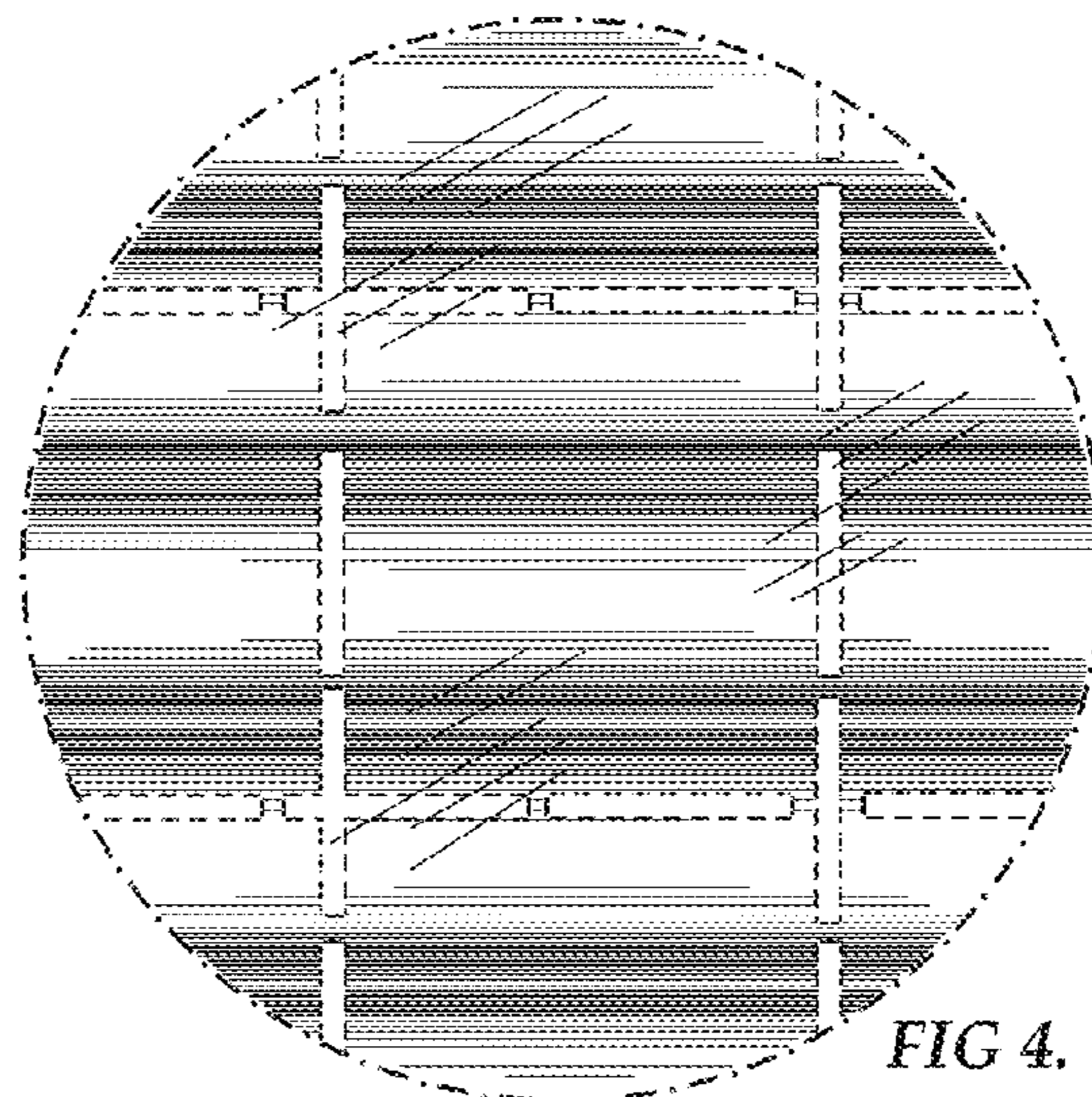


FIG 4.