



US00D763009S

(12) **United States Design Patent**
Murphy

(10) **Patent No.:** **US D763,009 S**
(45) **Date of Patent:** **** Aug. 9, 2016**

- (54) **GARDEN HANGING HOOK**
- (71) Applicant: **Daniel J. Murphy**, Jefferson, TX (US)
- (72) Inventor: **Daniel J. Murphy**, Jefferson, TX (US)
- (**) Term: **15 Years**
- (21) Appl. No.: **29/537,306**
- (22) Filed: **Aug. 25, 2015**

- 1,547,915 A 7/1925 Hirn
- 1,588,454 A 6/1926 Harris
- 1,628,623 A 5/1927 Lloyd
- 1,712,974 A 5/1929 Venard
- 1,716,530 A 6/1929 Washington
- 1,787,150 A 12/1930 Gerow et al.
- 1,893,702 A 1/1933 Glenn
- 2,861,765 A 11/1958 Kolb
- 3,115,213 A 12/1963 Cloutier
- 3,141,642 A 7/1964 Martin
- 3,321,160 A 5/1967 Turnbull
- 3,345,028 A 10/1967 Lawrie
- 3,393,888 A 7/1968 Henningsgard
- 3,638,891 A 2/1972 Schlosser

Related U.S. Application Data

- (62) Division of application No. 13/750,356, filed on Jan. 25, 2013, now abandoned.
- (51) **LOC (10) Cl.** **06-06**
- (52) **U.S. Cl.**
USPC **D6/556**
- (58) **Field of Classification Search**
USPC D6/556, 572, 580; D8/383, 380, 363,
D8/373, 381, 375, 376, 377, 366, 372, 370,
D8/371, 354, 382
CPC A47G 7/047; A47G 7/045; A47G 7/042;
A47G 7/044; A01G 9/024; A01G 25/14;
A01G 27/001; A01G 9/042; A01G 27/005;
A01G 31/001; A01G 9/02; A01G 9/083;
A01G 9/12
See application file for complete search history.

(56) **References Cited**

U.S. PATENT DOCUMENTS

- D3,310 S * 1/1869 Gorman D8/381
- D3,953 S * 4/1870 Jones D8/381
- D23,730 S * 10/1894 Gavin D8/381
- D23,873 S * 12/1894 Gavin D8/381
- 532,748 A 1/1895 Ball, Jr.
- 772,895 A 10/1904 Miller
- 901,284 A 10/1908 Edmunds
- 989,090 A 4/1911 Watson
- 1,386,480 A 8/1921 Westfehling
- 1,515,831 A 11/1924 Bush
- 1,542,548 A 6/1925 Gordon

(Continued)

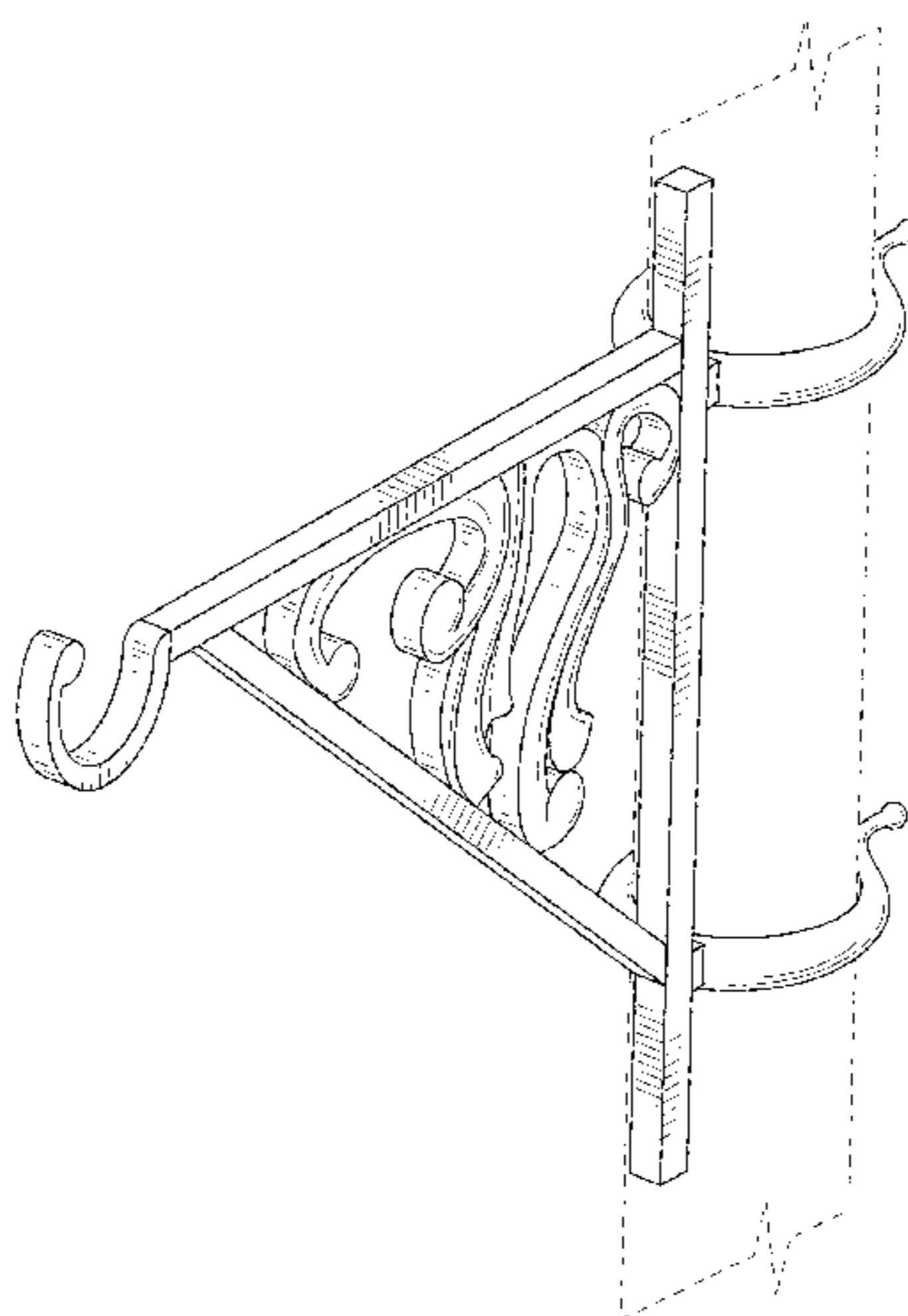
Primary Examiner — Robert M Spear
Assistant Examiner — Eliza Bennett-Hattan
 (74) *Attorney, Agent, or Firm* — Decker Jones P.C.; Brian K. Yost; Geoffrey Mantooth

(57) **CLAIM**
 The ornamental design for a garden hanging hook, as shown and described.

DESCRIPTION

FIG. 1 is a perspective left, front, and upper view of a garden hanging hook according to my new design;
 FIG. 2 is a front elevation view of the garden hanging hook of FIG. 1;
 FIG. 3 is a rear elevation view of the garden hanging hook shown in FIG. 1, as seen behind a post;
 FIG. 4 is a left elevation view of the garden hanging hook shown in FIG. 1, the left view being a mirror image of the right view;
 FIG. 5 is an upper elevation view of the garden hanging hook shown in FIG. 1; and,
 FIG. 6 is a lower elevation view of the garden hanging hook shown in FIG. 1.
 The broken lines depict environmental subject matter and form no part of the claimed design.

1 Claim, 4 Drawing Sheets



(56)

References Cited

U.S. PATENT DOCUMENTS

3,647,171 A	3/1972	Rafferty	6,202,964 B1	3/2001	Thornhill
3,746,294 A	7/1973	Johnston	6,267,339 B1	7/2001	Gates et al.
D251,357 S *	3/1979	Chasen D8/363	D461,429 S	8/2002	Holland
D251,944 S *	5/1979	Chasen D6/556	6,622,436 B1	9/2003	Kretsch
4,415,137 A	11/1983	Garves	6,708,832 B1	3/2004	Hannon
4,611,722 A	9/1986	Teig	7,261,263 B2	8/2007	Baker et al.
4,744,537 A	5/1988	Buckley	7,341,507 B1	3/2008	Julian, Sr.
D310,623 S *	9/1990	Aranibar 248/250	D632,517 S	2/2011	Pribanich
5,117,779 A	6/1992	Karow	7,913,980 B1	3/2011	Cipriano
5,310,151 A	5/1994	Engel	8,016,134 B1	9/2011	Templin et al.
D348,630 S *	7/1994	Hollinger D30/124	8,302,922 B1	11/2012	Robinson
D348,631 S	7/1994	Hollinger	8,561,345 B2	10/2013	Armas
5,337,986 A	8/1994	Vollink	8,561,952 B2	10/2013	Pfeiler
5,462,318 A	10/1995	Cooke	8,607,497 B2	12/2013	Green
D365,016 S *	12/1995	Hollinger D8/381	D708,932 S *	7/2014	Fugett D8/381
5,562,534 A	10/1996	McGough	D712,724 S *	9/2014	Fugett D8/363
5,601,274 A	2/1997	Minor et al.	2003/0094553 A1	5/2003	Mullis
5,649,257 A	7/1997	Kempka	2006/0197000 A1	9/2006	Meltzer
5,966,865 A	10/1999	Jones	2008/0085669 A1	4/2008	Burrows
			2010/0078613 A1	4/2010	Payne
			2011/0049315 A1	3/2011	Buckbee

* cited by examiner

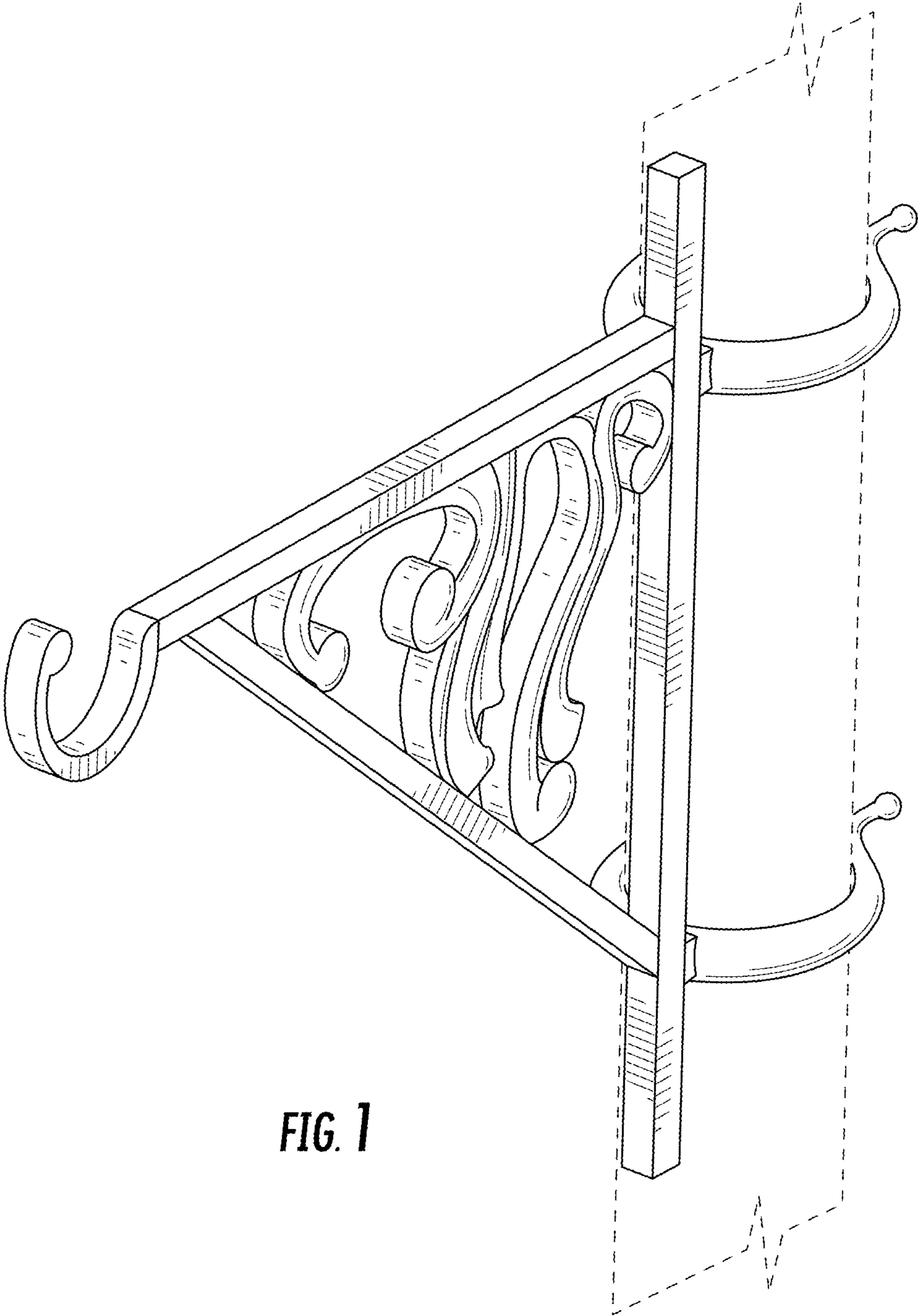


FIG. 1

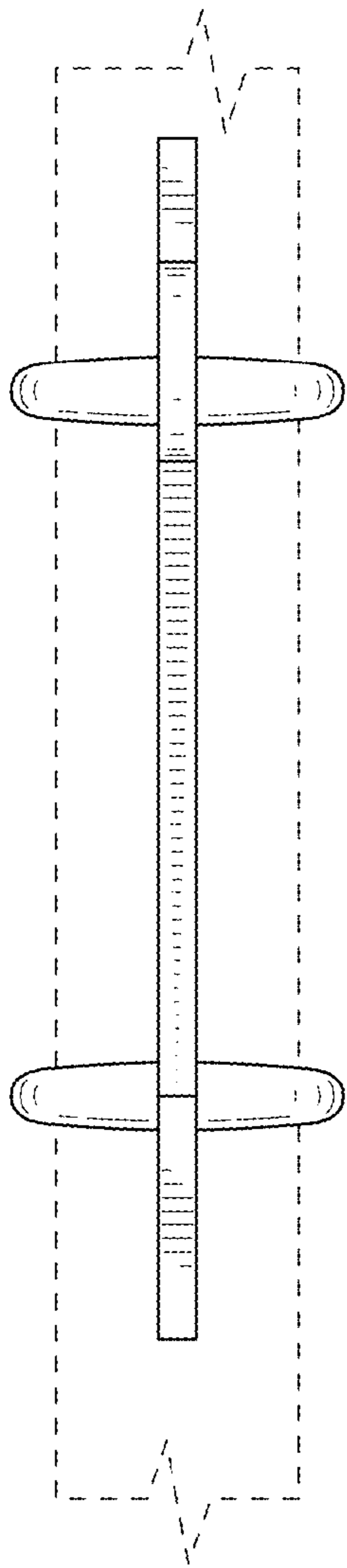


FIG. 2

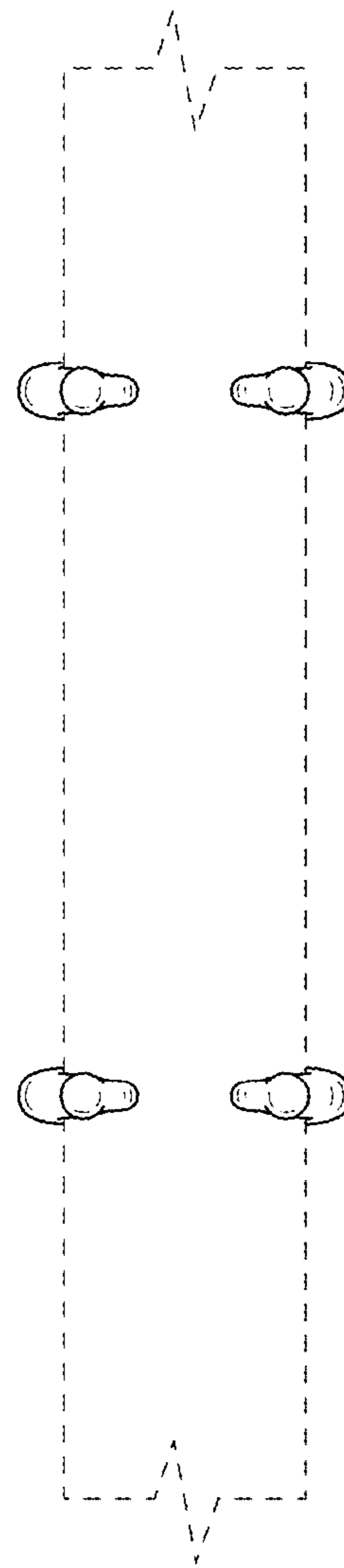


FIG. 3

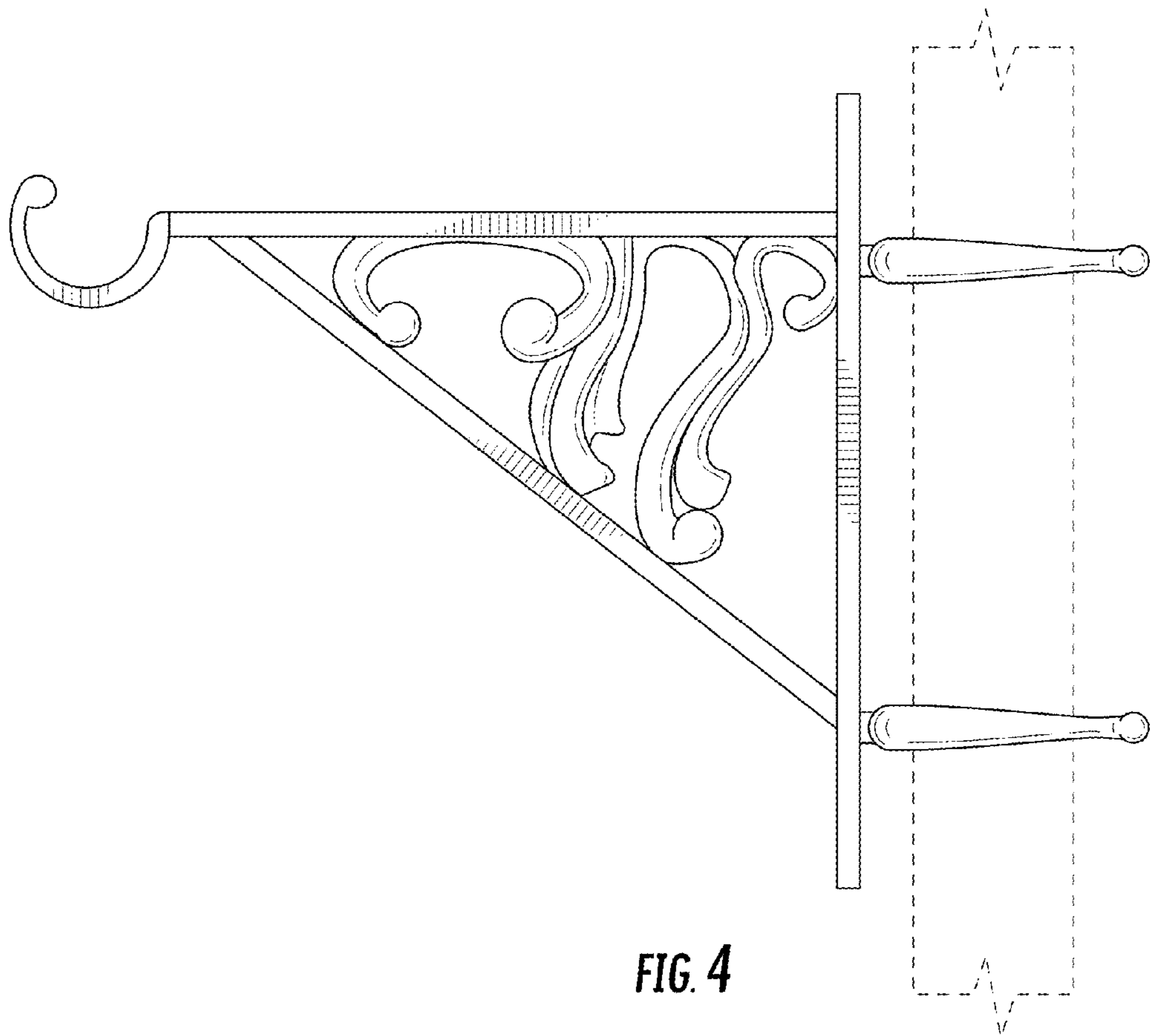


FIG. 4

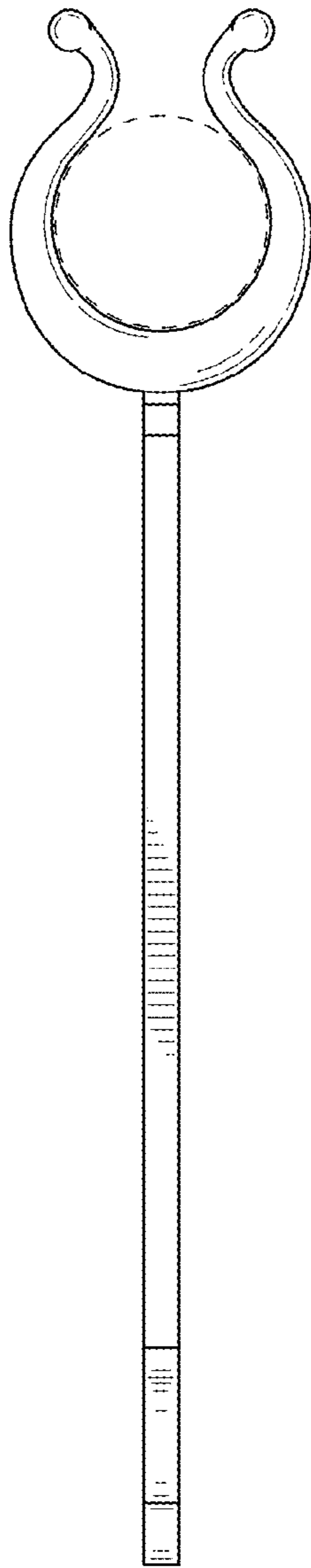


FIG. 5

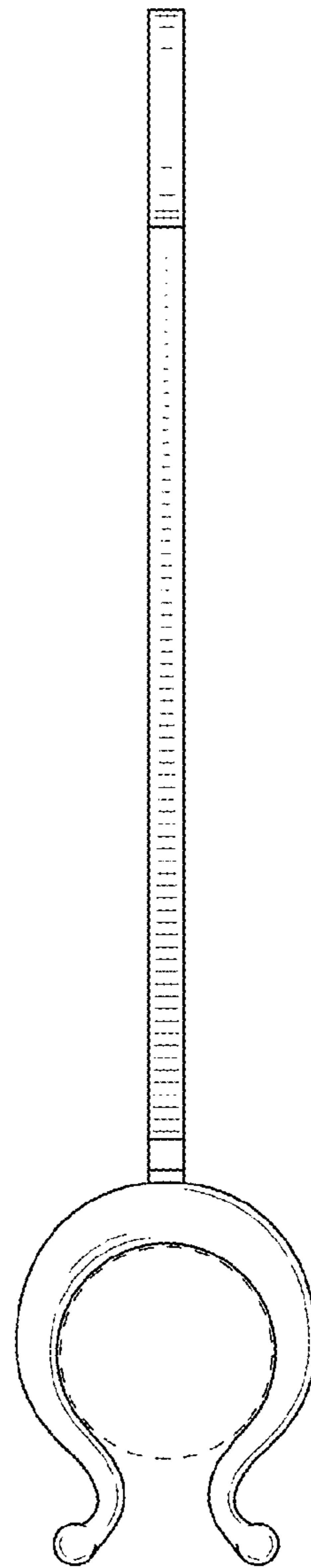


FIG. 6