



US00D763008S

(12) **United States Design Patent**  
**Pace et al.**

(10) **Patent No.:** **US D763,008 S**  
(45) **Date of Patent:** **\*\* Aug. 9, 2016**

- (54) **MODULAR SUPPORT FRAME ASSEMBLY**
- (71) Applicant: **Revolution Display, LLC**, Glendale, CA (US)
- (72) Inventors: **Vincent M. Pace**, Sherman Oaks, CA (US); **Patrick Campbell**, Canyon Country, CA (US)
- (73) Assignee: **Revolution Display, LLC**, Glendale, CA (US)

5,190,171 A \* 3/1993 Christman, Jr. .... B62B 3/006  
211/186  
D398,729 S \* 9/1998 Hovstø ..... D34/29  
7,438,195 B2 \* 10/2008 Beck ..... B65D 19/12  
206/335  
D628,353 S \* 11/2010 Garton ..... D34/38  
D628,354 S \* 11/2010 Garton ..... D34/38  
D639,448 S \* 6/2011 Grainger ..... D25/1  
D660,749 S \* 5/2012 Strayer ..... D12/115  
D661,623 S \* 6/2012 Strayer ..... D12/115  
D746,532 S \* 12/2015 Meyer ..... D34/29  
2007/0278169 A1 \* 12/2007 Grainger ..... B65D 19/08  
211/186

(\*\*) Term: **14 Years**

(21) Appl. No.: **29/526,450**

(22) Filed: **May 8, 2015**

(51) **LOC (10) Cl.** ..... **06-01**

(52) **U.S. Cl.**  
USPC ..... **D6/407**

(58) **Field of Classification Search**  
USPC ..... D6/407, 462, 681, 678, 681.1, 681.2,  
D6/682, 675.5, 512, 519, 708, 332, 712;  
D25/1; D34/29, 38  
CPC ..... F16M 9/00; F16M 13/00; F16M 2200/08  
See application file for complete search history.

(56) **References Cited**

**U.S. PATENT DOCUMENTS**

2,986,284 A \* 5/1961 Colbert ..... A47B 81/007  
211/134  
3,533,502 A \* 10/1970 Hansen ..... A47B 45/00  
206/386  
D294,788 S \* 3/1988 Cautereels ..... D15/89  
D297,998 S \* 10/1988 Edson ..... D6/566

\* cited by examiner

*Primary Examiner* — Kelley Donnelly

(74) *Attorney, Agent, or Firm* — Downs Rachlin Martin PLLC

(57) **CLAIM**

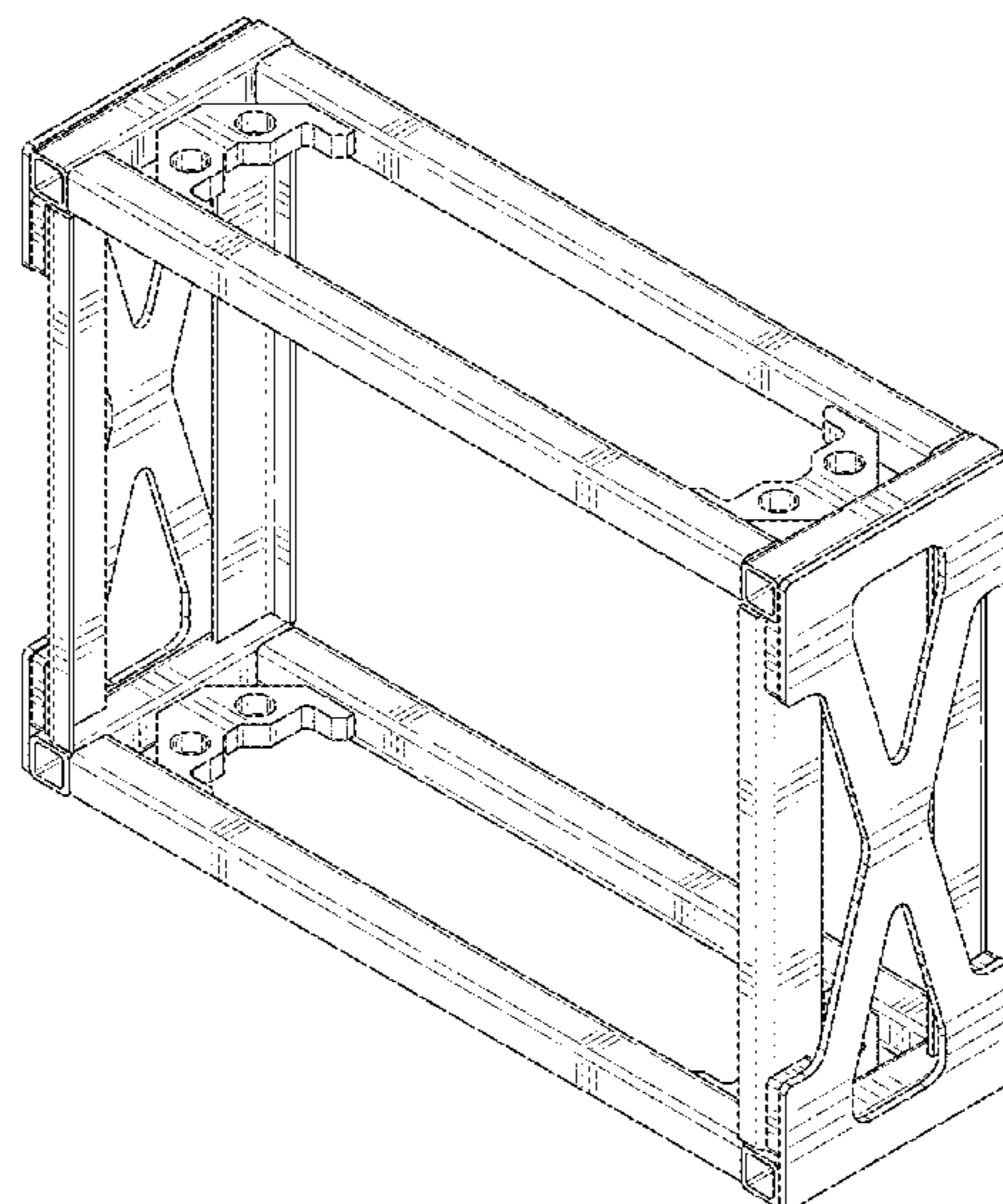
The ornamental design for a modular support frame assembly, as shown and described.

**DESCRIPTION**

FIG. 1 is a perspective view of a modular support frame assembly showing our new design;  
FIG. 2 is a front view thereof;  
FIG. 3 is a rear view thereof;  
FIG. 4 is a side view thereof;  
FIG. 5 is a second side view thereof;  
FIG. 6 is a top view thereof; and,  
FIG. 7 is a bottom view thereof.

The broken lines are for the purposes of illustrating the environment of the article only and form no part of the claimed design.

**1 Claim, 7 Drawing Sheets**



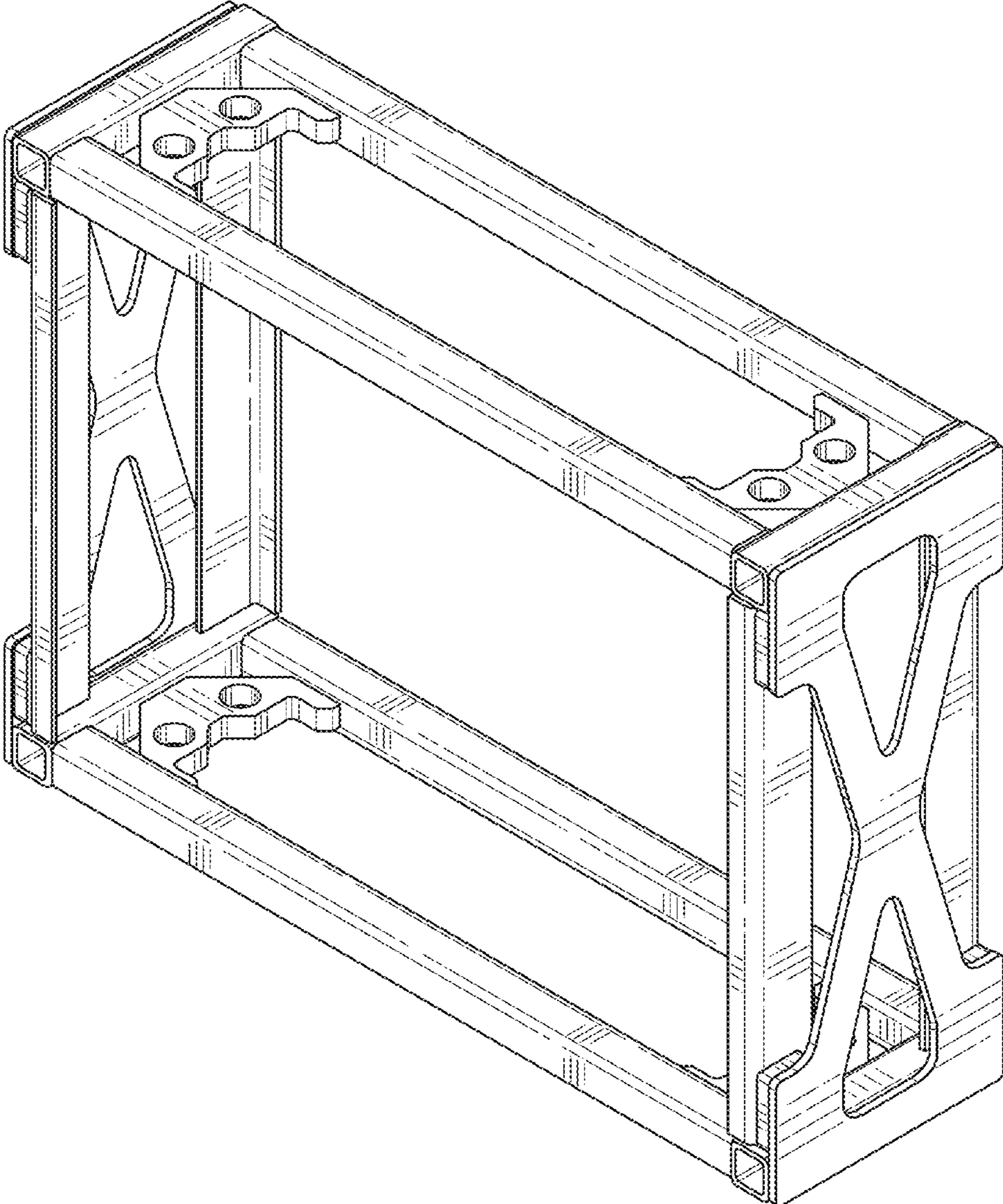


FIG. 1

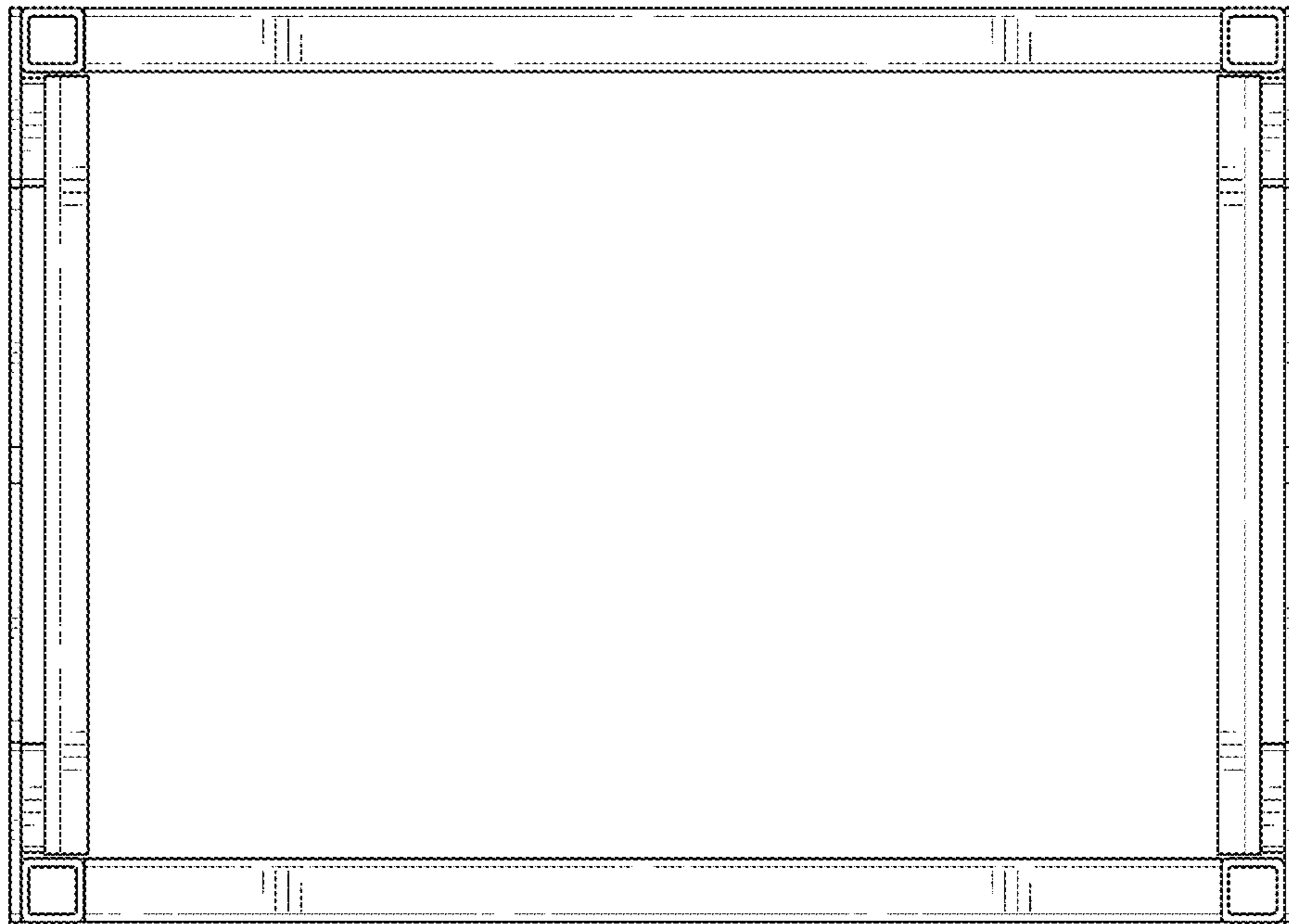


FIG. 2

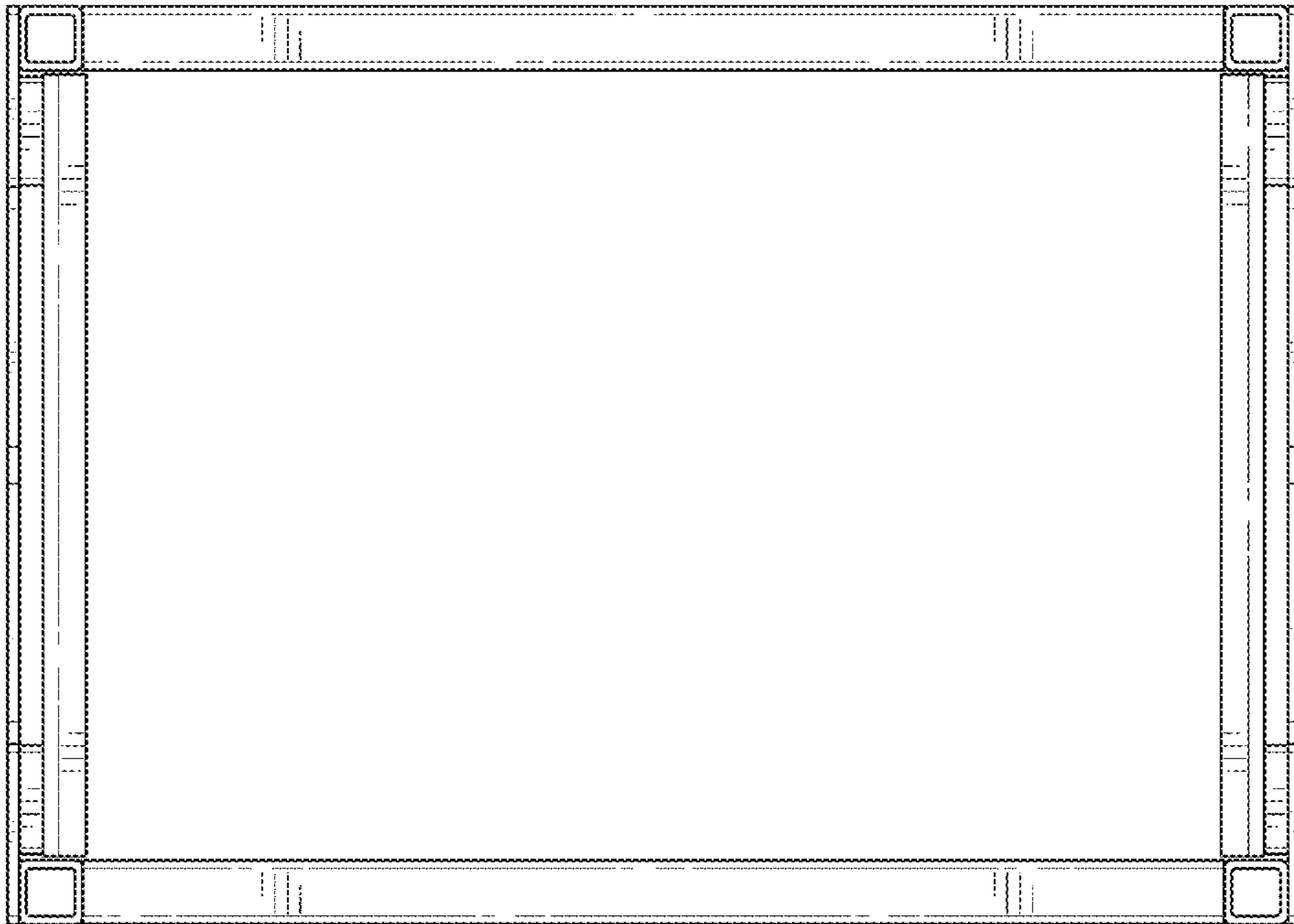


FIG. 3

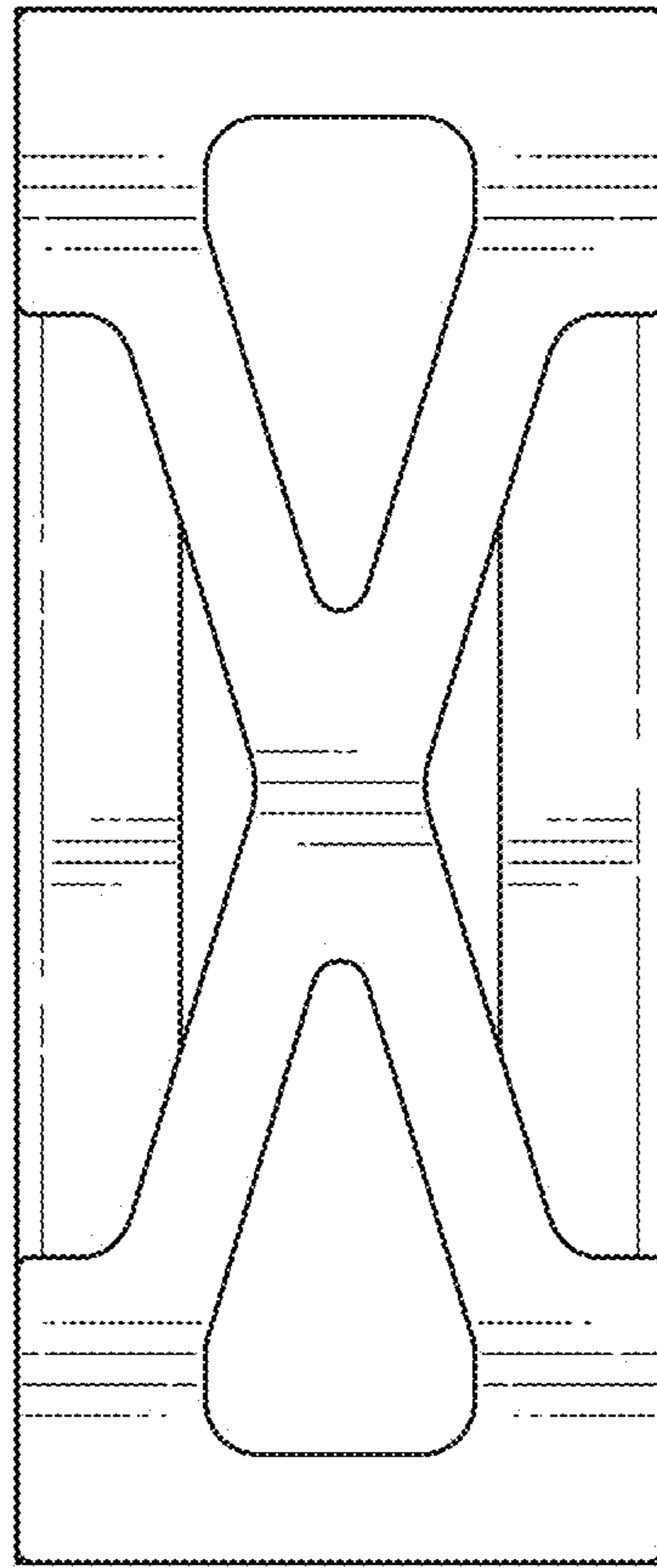


FIG. 4

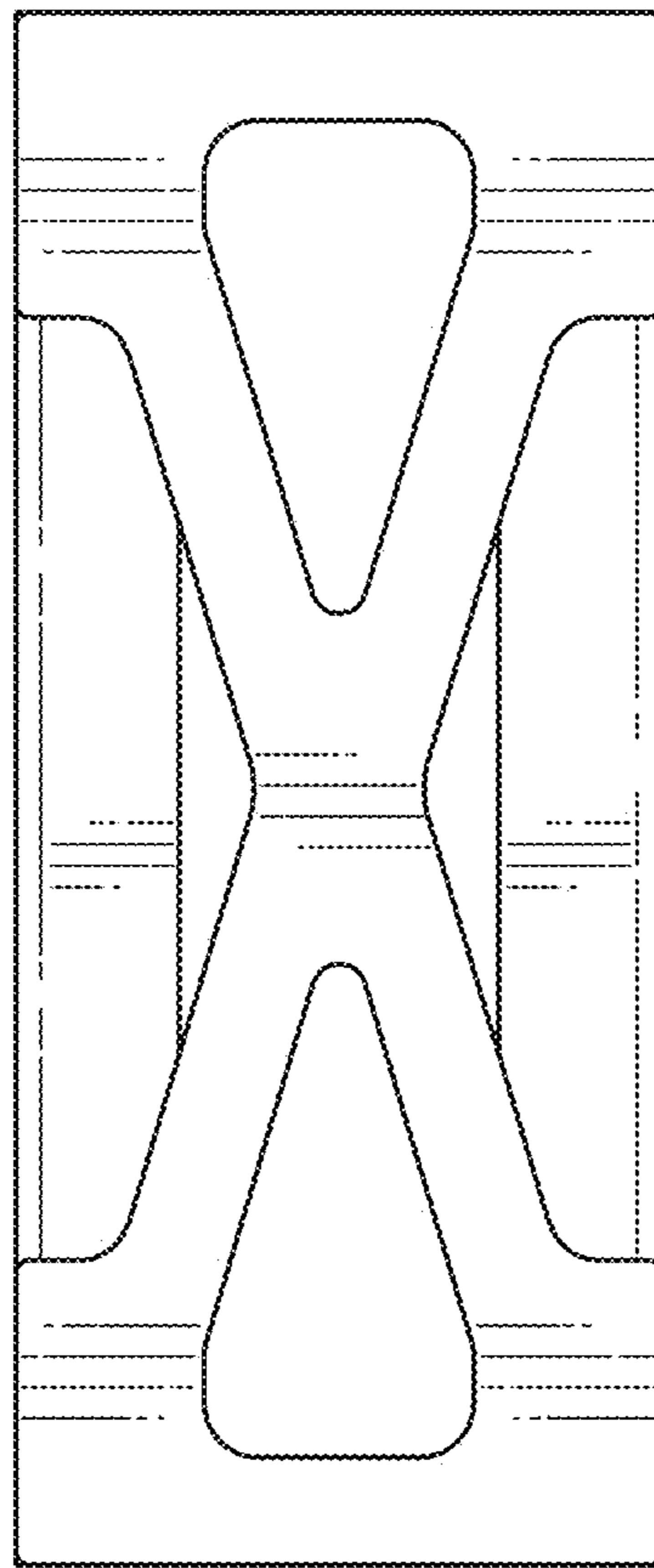


FIG. 5

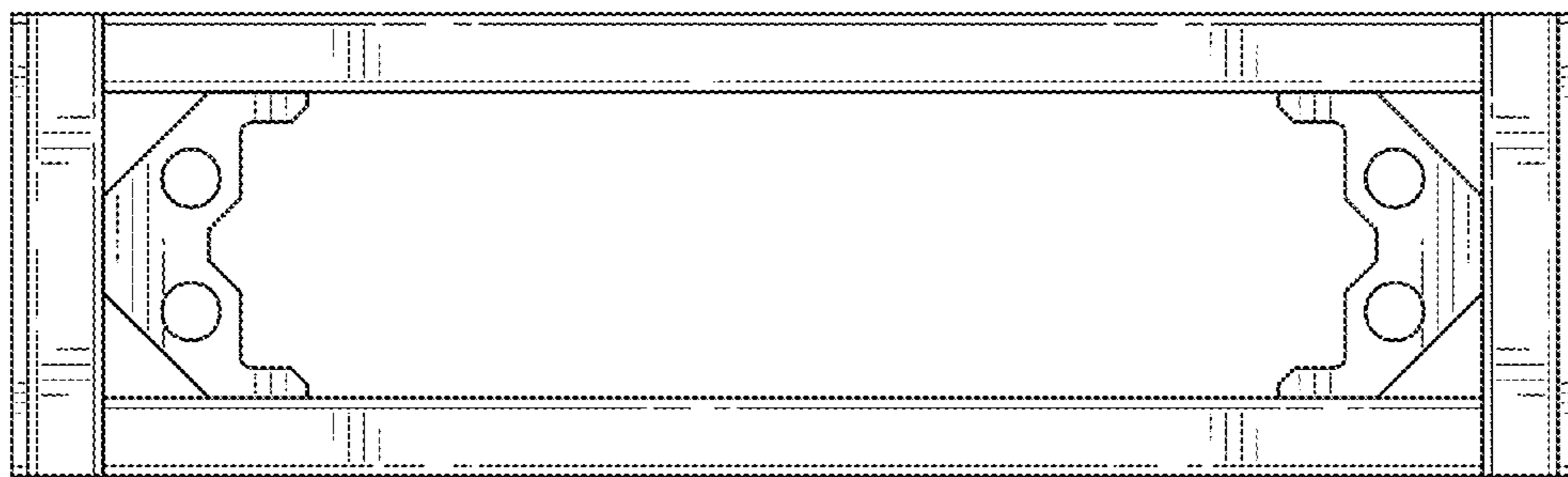


FIG. 6

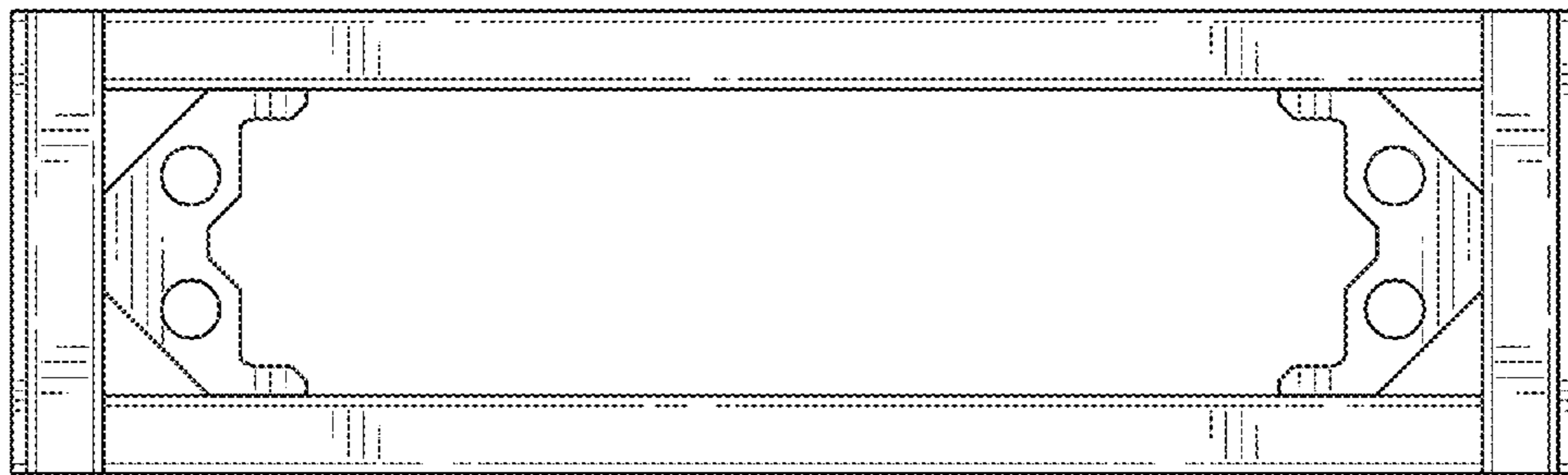


FIG. 7