



US00D763007S

(12) **United States Design Patent**  
**Pace et al.**

(10) **Patent No.:** **US D763,007 S**  
(45) **Date of Patent:** **\*\* Aug. 9, 2016**

(54) **MODULAR SUPPORT FRAME ASSEMBLY**

(71) Applicant: **Revolution Display, LLC**, Glendale, CA (US)

(72) Inventors: **Vincent M. Pace**, Sherman Oaks, CA (US); **Patrick Campbell**, Canyon Country, CA (US)

(73) Assignee: **Revolution Display, LLC**, Glendale, CA (US)

(\*\*) Term: **14 Years**

(21) Appl. No.: **29/526,447**

(22) Filed: **May 8, 2015**

(51) **LOC (10) Cl.** ..... **06-01**

(52) **U.S. Cl.**  
USPC ..... **D6/407**

(58) **Field of Classification Search**  
USPC ..... D6/407, 462, 681, 678, 681.1, 681.2, D6/682, 675.5, 512, 519, 708, 332, 712; D25/1; D34/29, 38  
CPC ..... F16M 9/00; F16M 13/00; F16M 2200/08  
See application file for complete search history.

(56) **References Cited**

**U.S. PATENT DOCUMENTS**

- 2,986,284 A \* 5/1961 Colbert ..... A47B 81/007  
211/134
- 3,533,502 A \* 10/1970 Hansen ..... A47B 45/00  
206/386
- D294,788 S \* 3/1988 Cautereels ..... D15/89
- D297,998 S \* 10/1988 Edson ..... D6/566
- 5,190,171 A \* 3/1993 Christman, Jr. .... B62B 3/006  
211/186
- D398,729 S \* 9/1998 Hovstø ..... D34/29
- 7,438,195 B2 \* 10/2008 Beck ..... B65D 19/12  
206/335

- D628,353 S \* 11/2010 Garton ..... D34/38
- D628,354 S \* 11/2010 Garton ..... D34/38
- D639,448 S \* 6/2011 Grainger ..... D25/1
- D660,749 S \* 5/2012 Strayer ..... D12/115
- D661,623 S \* 6/2012 Strayer ..... D12/115
- D746,532 S \* 12/2015 Meyer ..... D34/29
- 2007/0278169 A1 \* 12/2007 Grainger ..... B65D 19/08  
211/186

\* cited by examiner

*Primary Examiner* — Kelley Donnelly

(74) *Attorney, Agent, or Firm* — Downs Rachlin Martin PLLC

(57) **CLAIM**

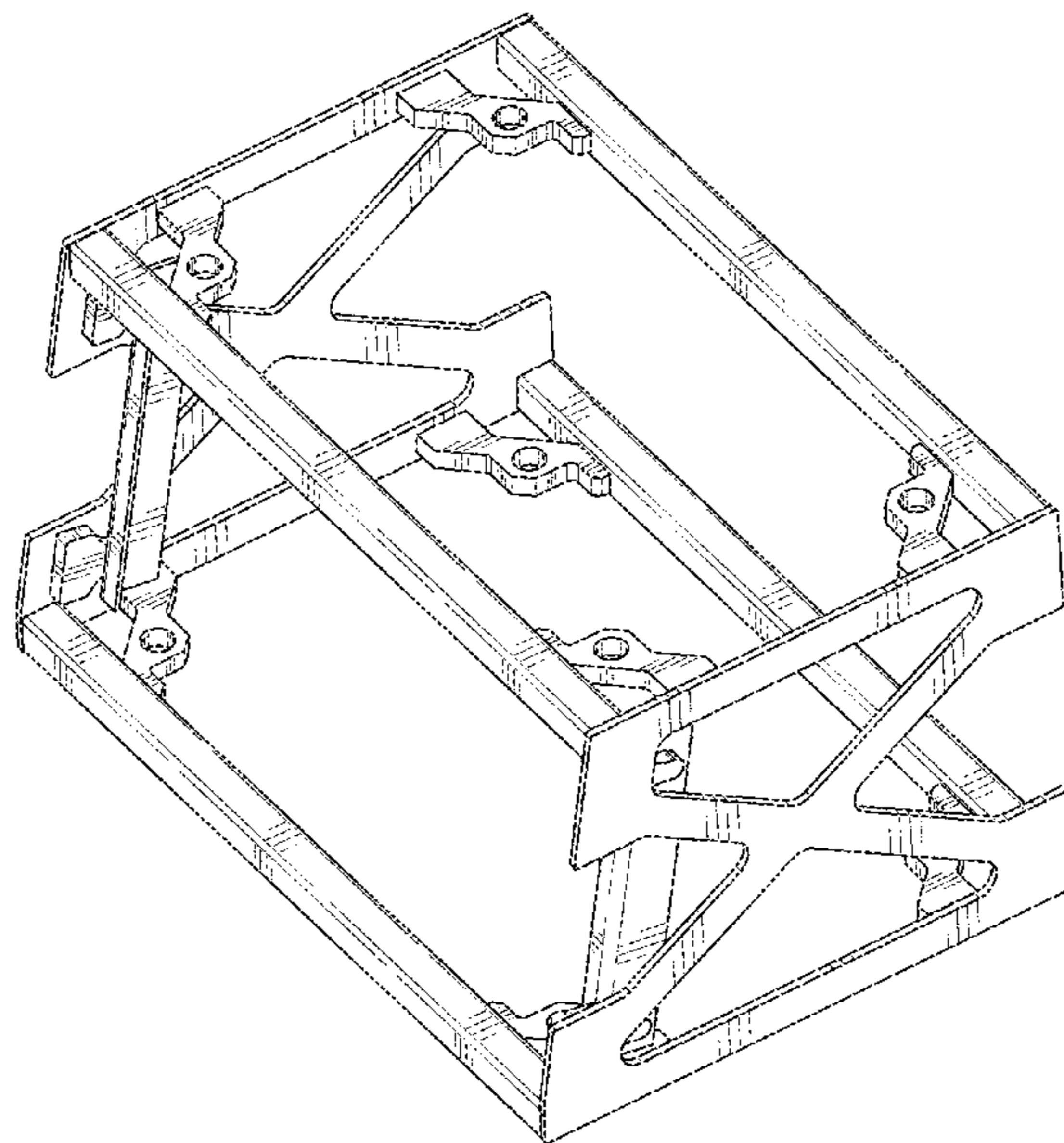
The ornamental design for a modular support frame assembly, as shown and described.

**DESCRIPTION**

FIG. 1 is a perspective view of a modular support frame assembly of a first embodiment showing our new design; FIG. 2 is a front view thereof; FIG. 3 is a rear view thereof; FIG. 4 is a side view thereof; FIG. 5 is a second side view thereof; FIG. 6 is a top view thereof; FIG. 7 is a bottom view thereof; FIG. 8 is a perspective view of a modular support frame assembly of a second embodiment showing our new design; FIG. 9 is a front view thereof; FIG. 10 is a rear view thereof; FIG. 11 is a side view thereof; FIG. 12 is a second side view thereof; FIG. 13 is a top view thereof; and, FIG. 14 is a bottom view thereof.

The broken lines are for the purposes of illustrating the environment of the article only and form no part of the claimed design.

**1 Claim, 14 Drawing Sheets**



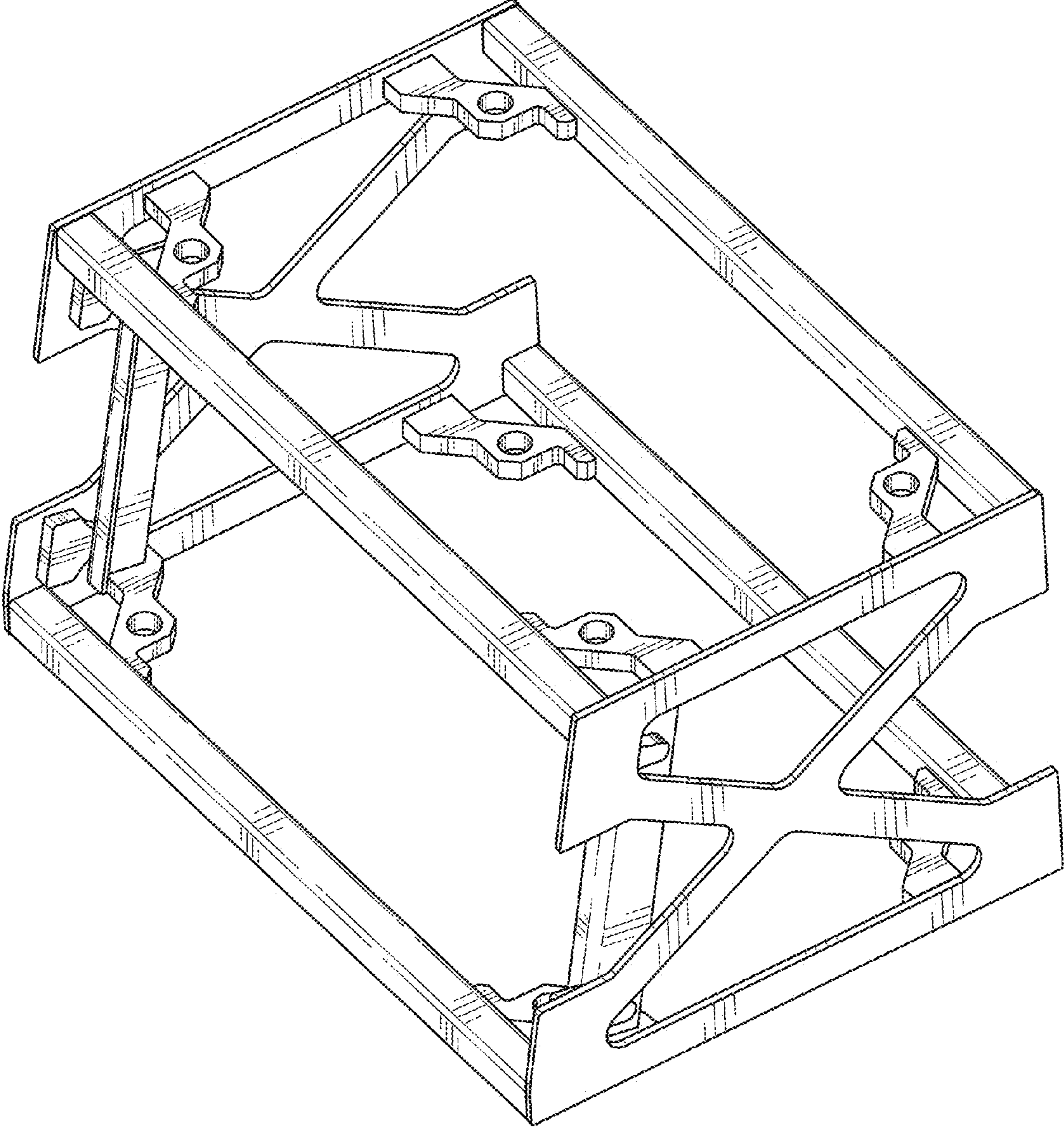


FIG. 1

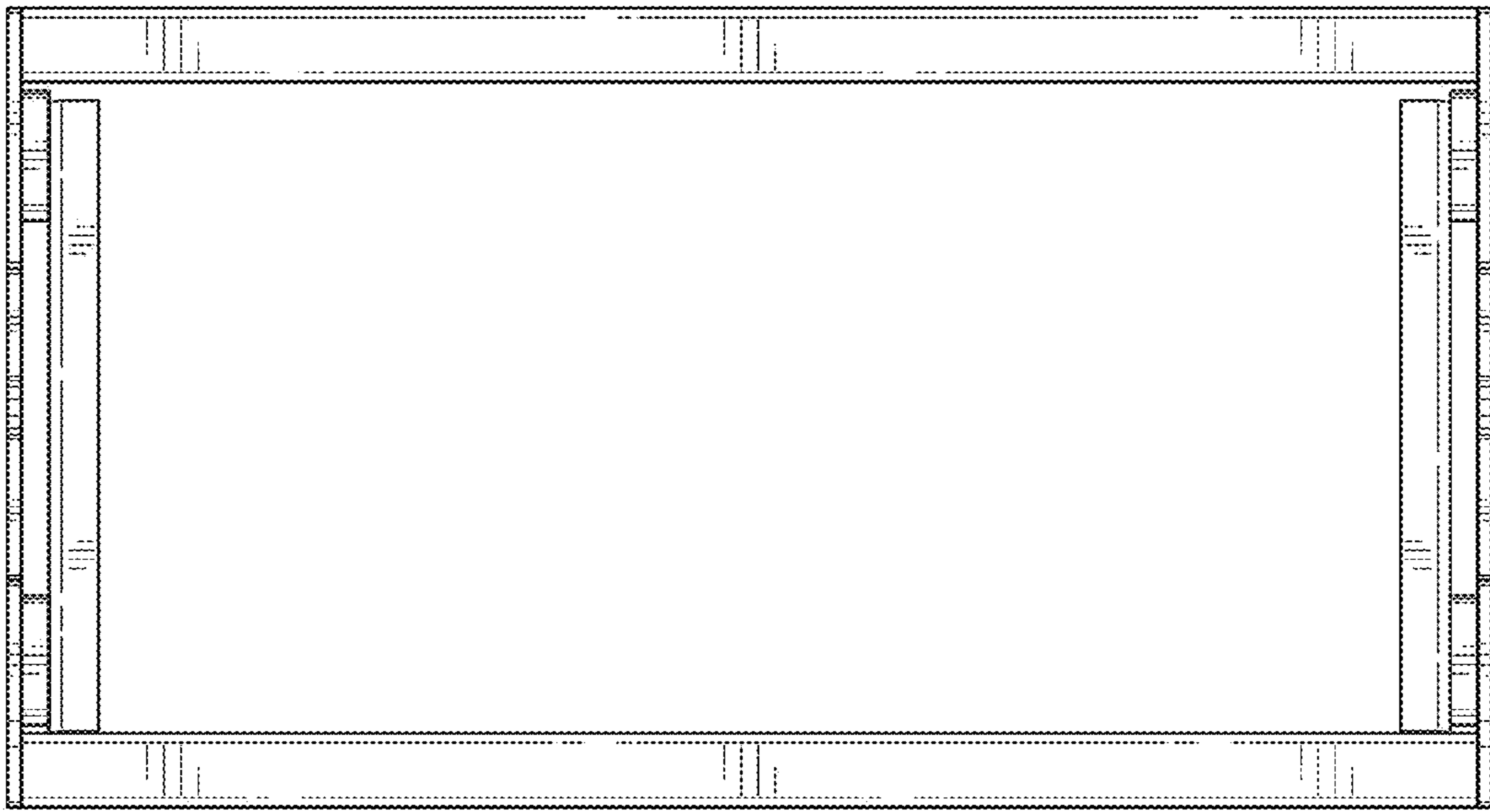


FIG. 2

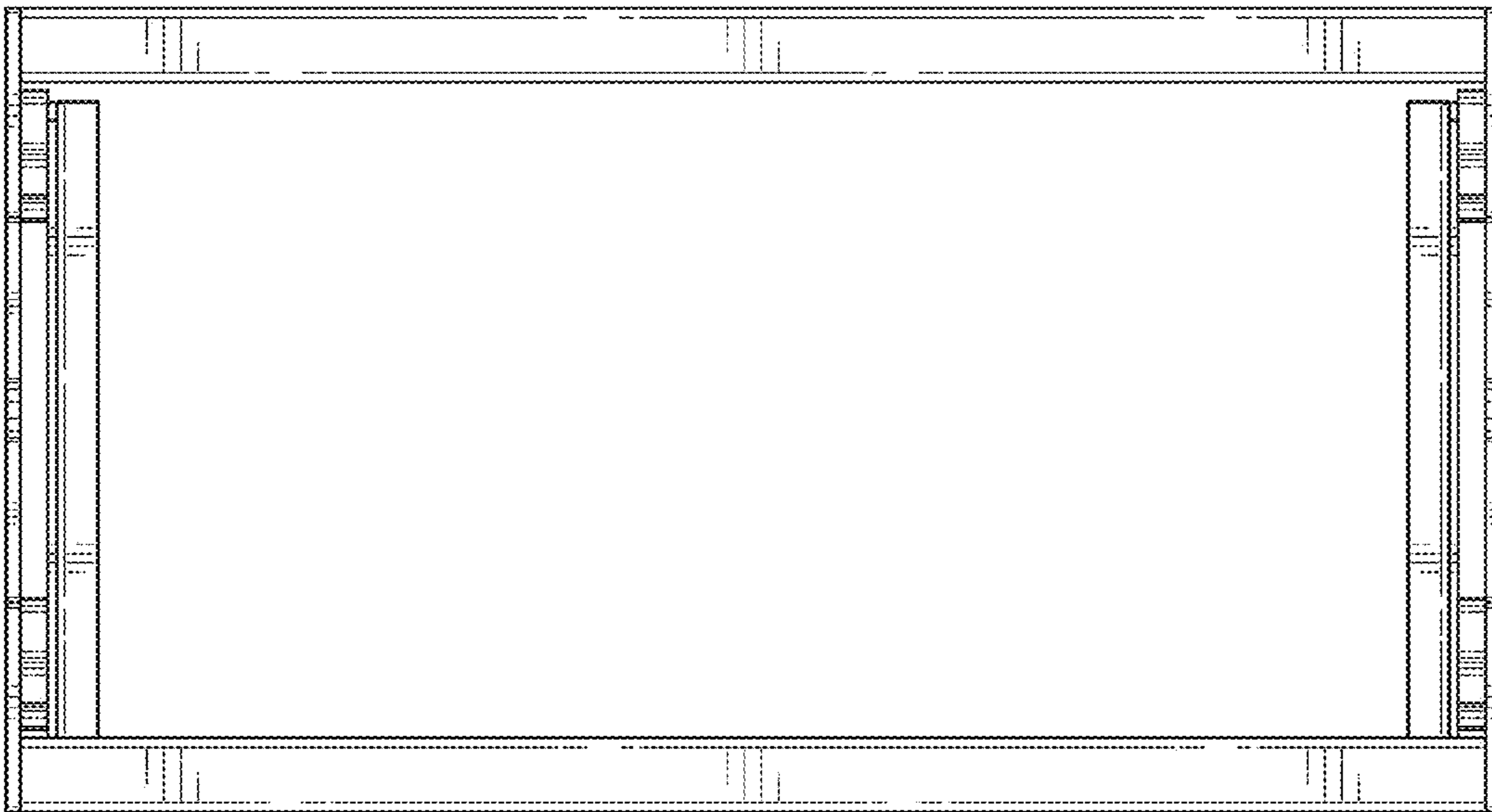


FIG. 3

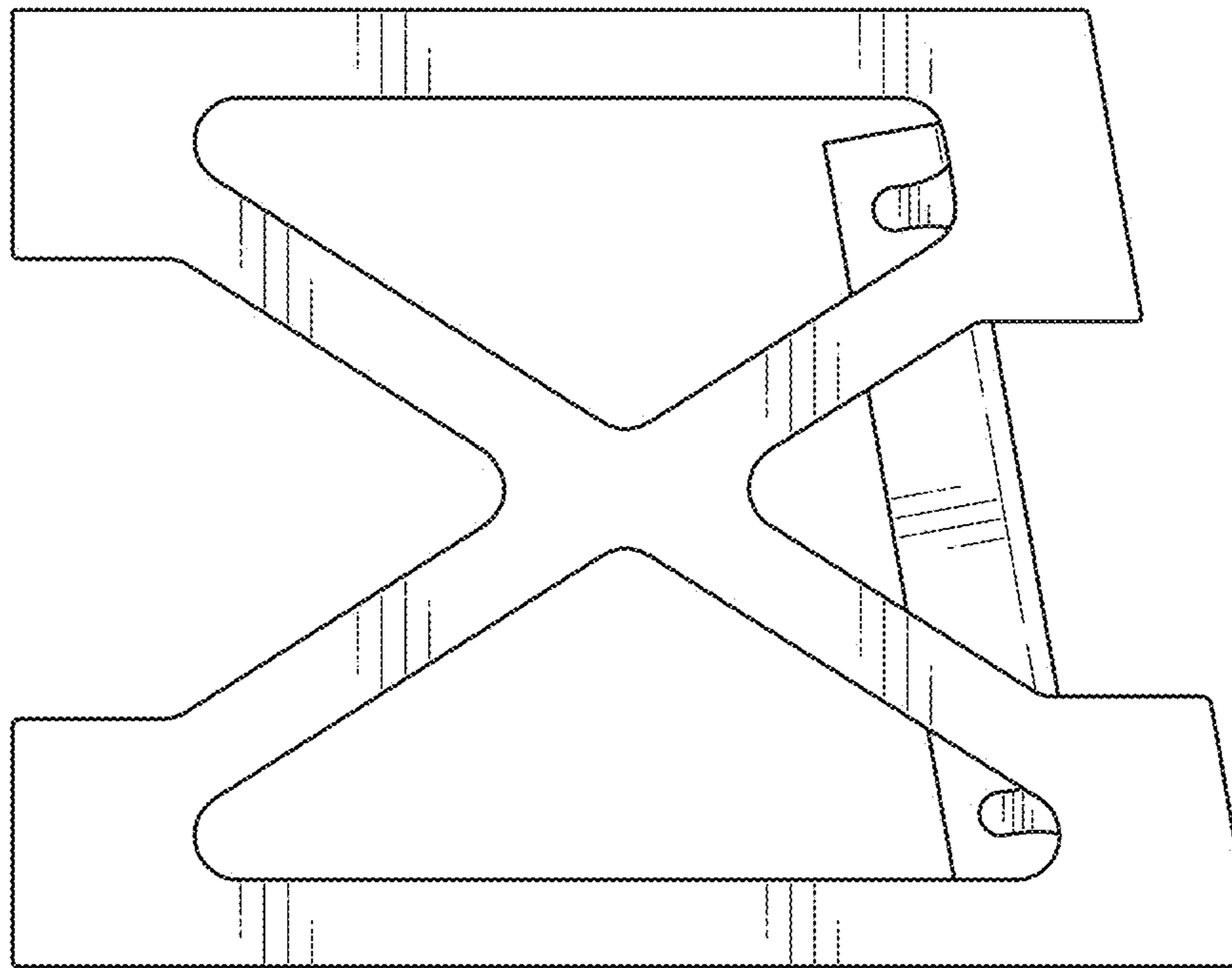


FIG. 4

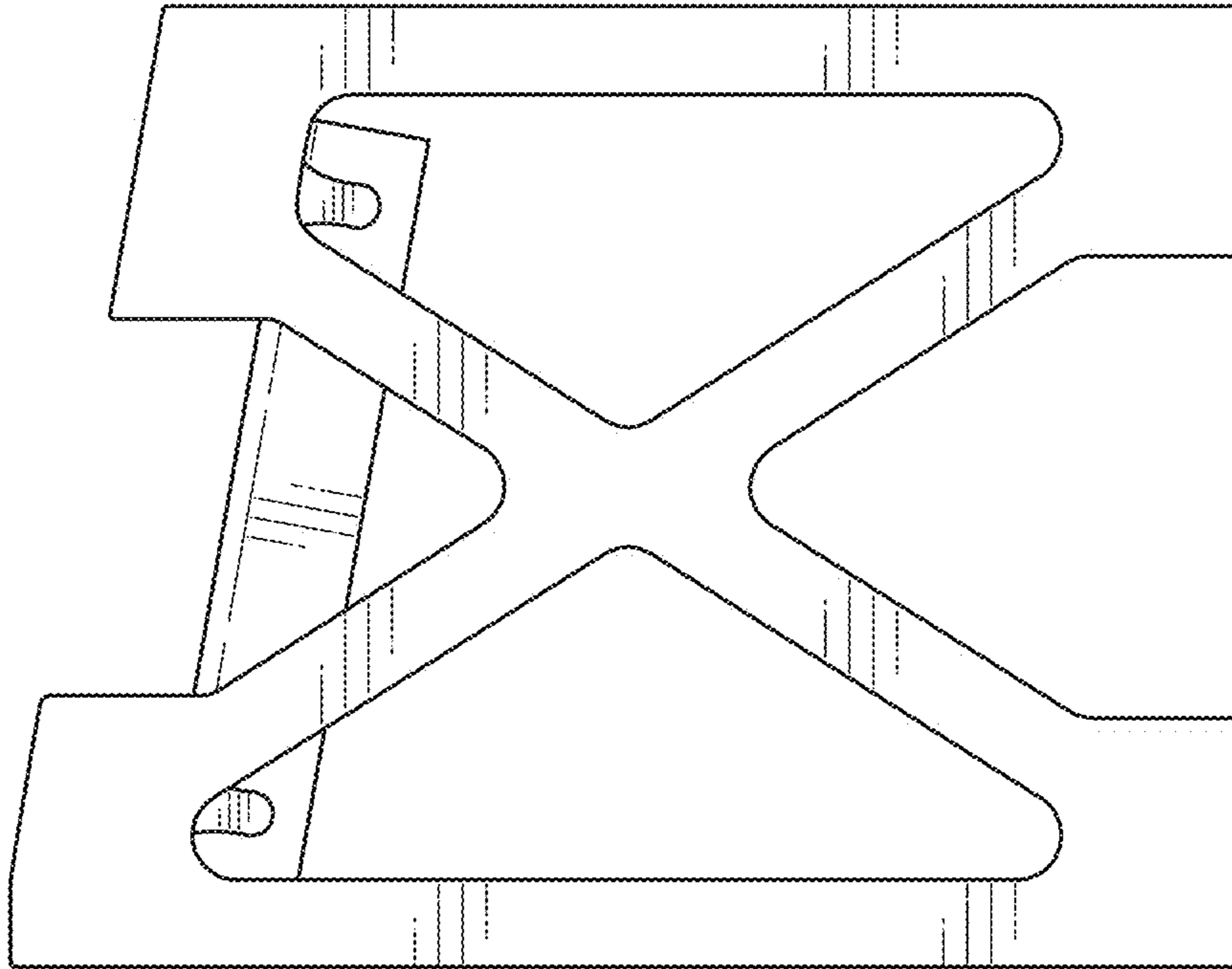


FIG. 5

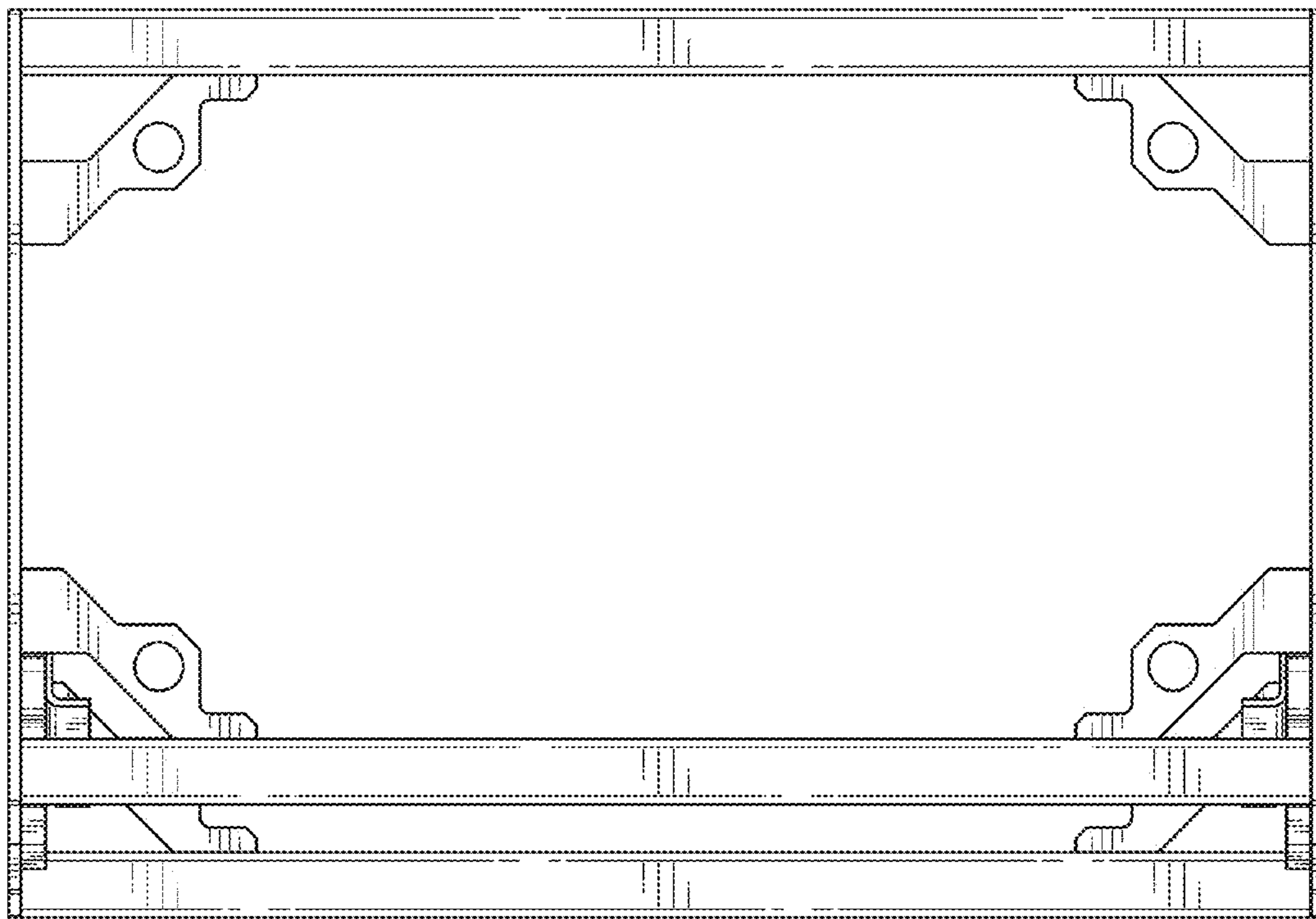


FIG. 6

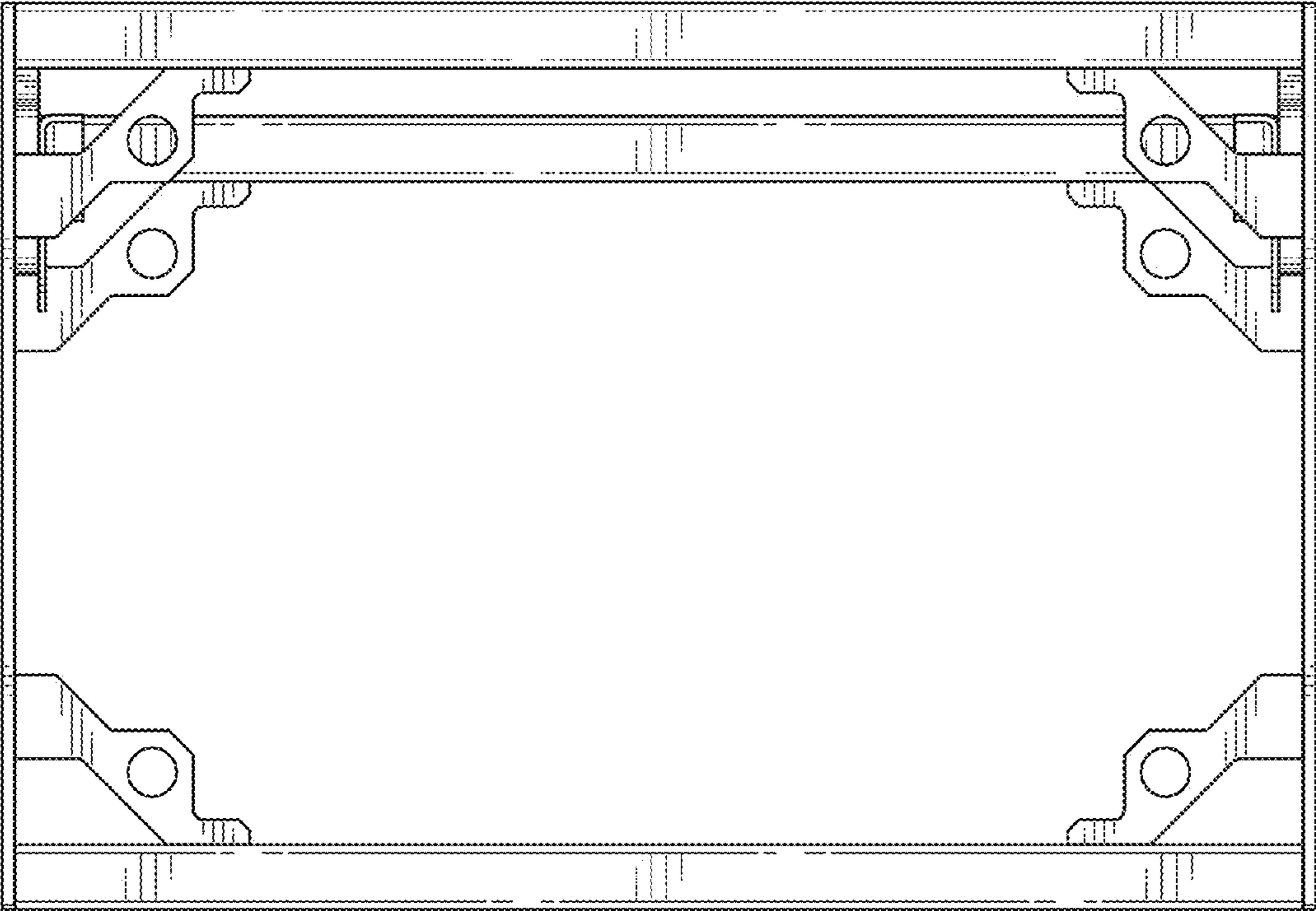


FIG. 7



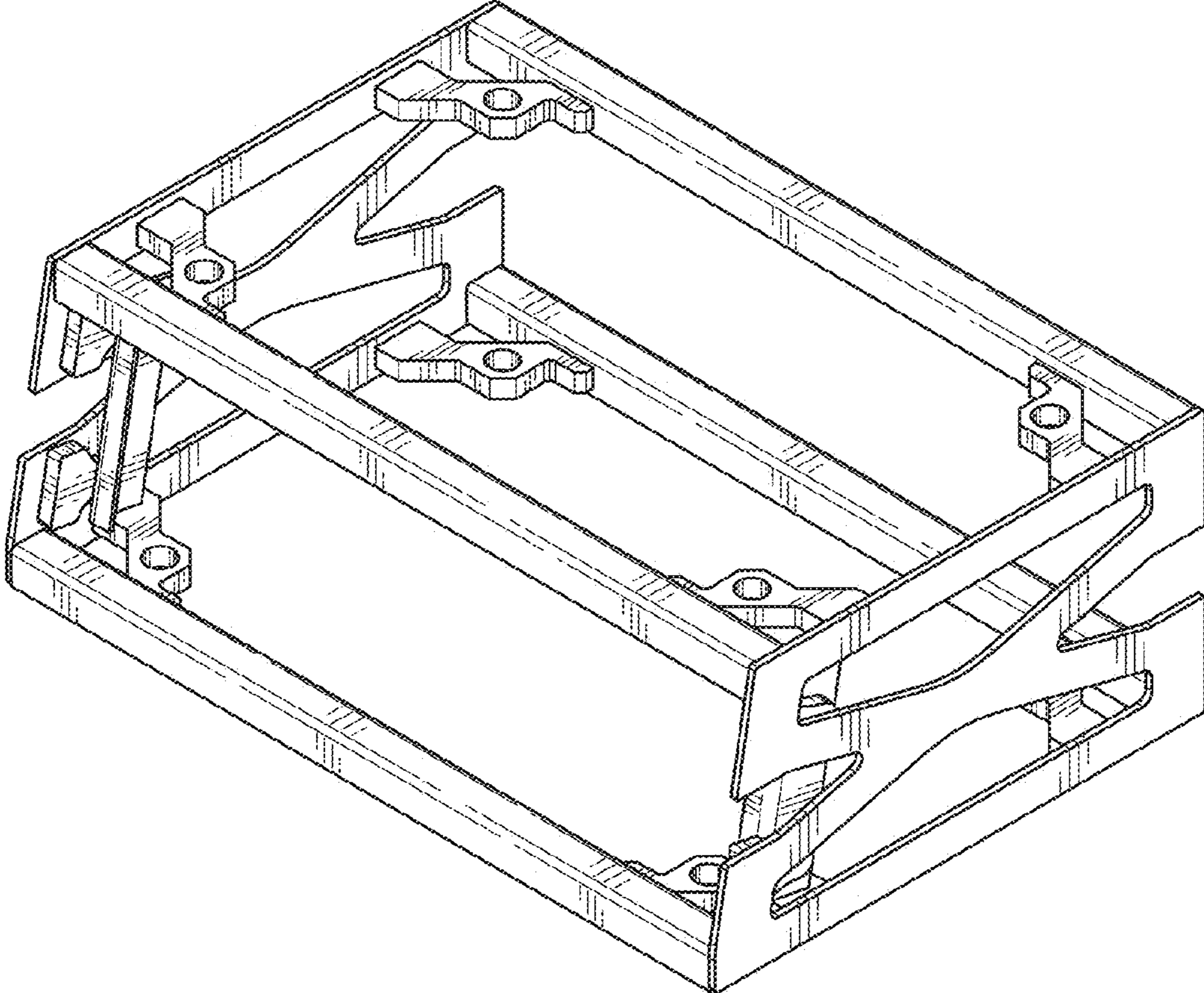


FIG. 8

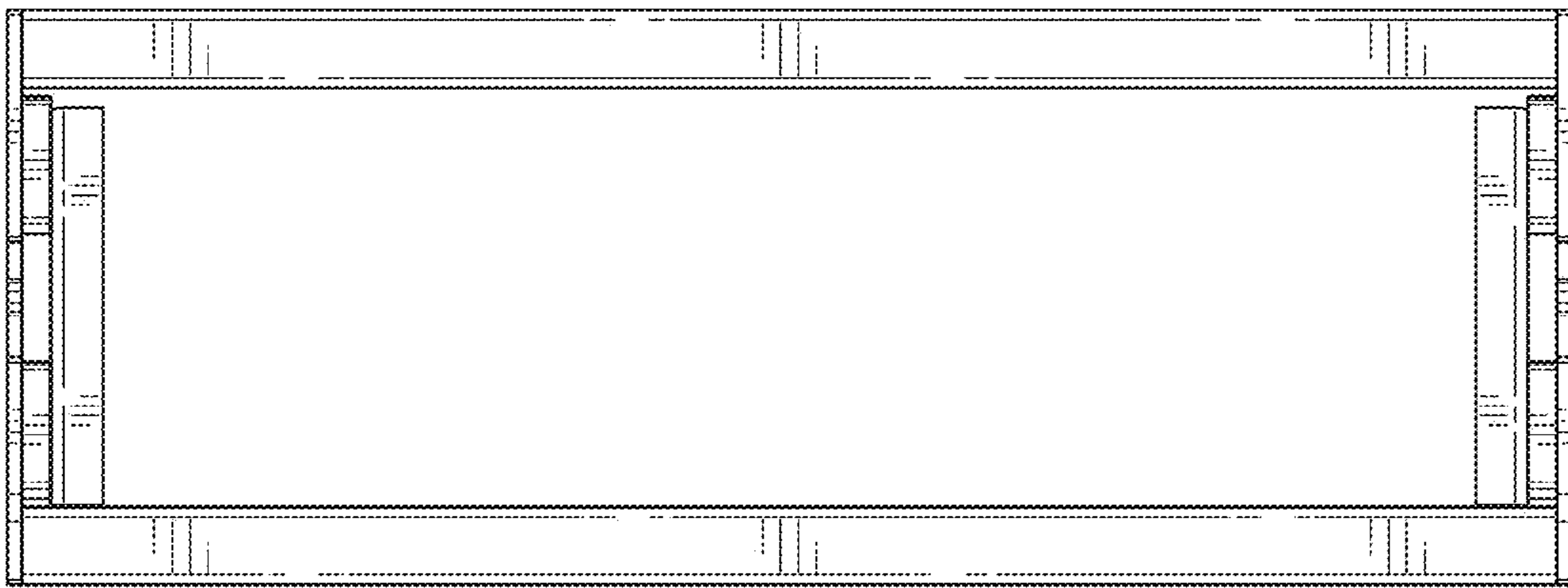


FIG. 9

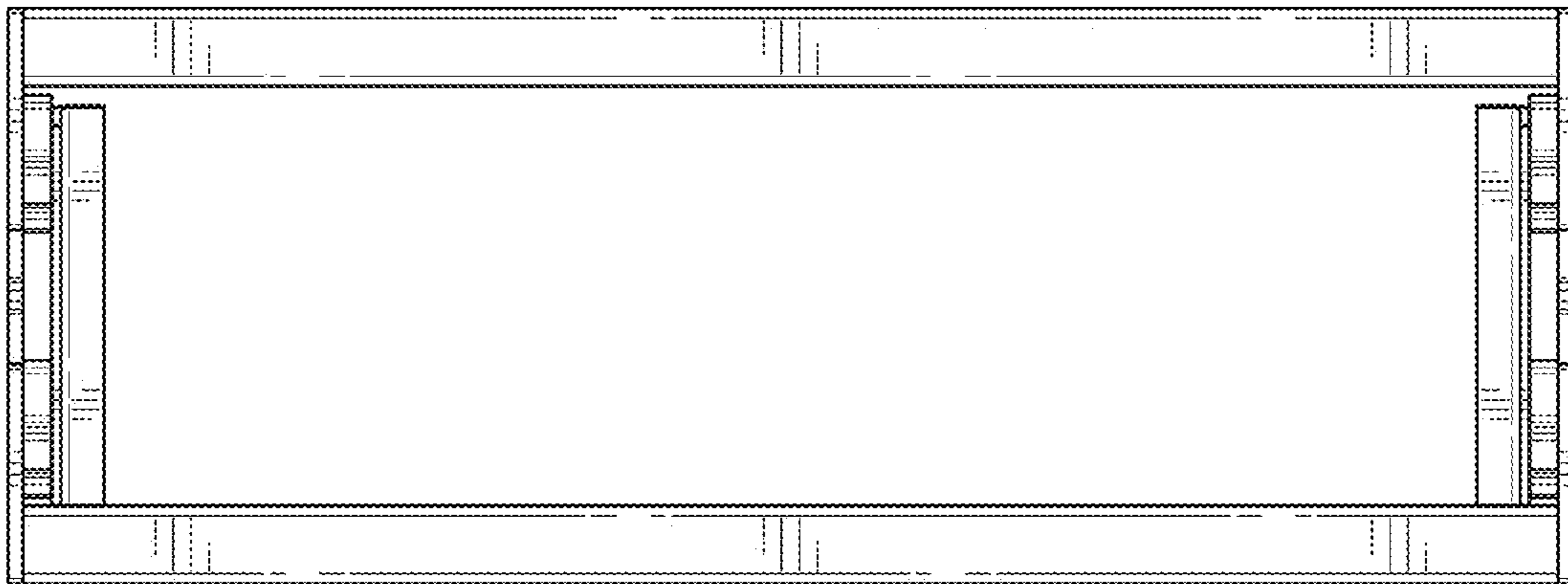


FIG. 10

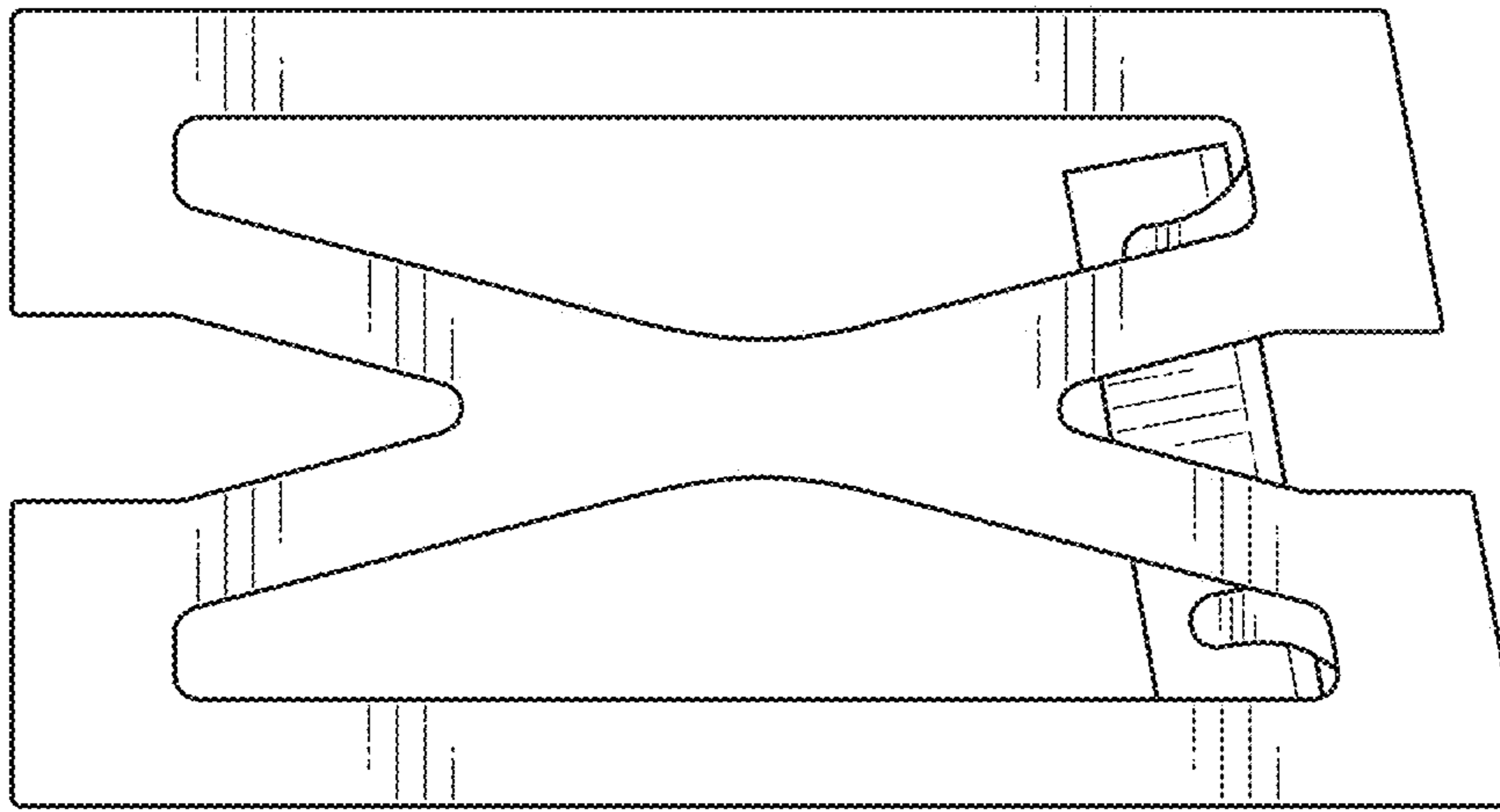


FIG. 11

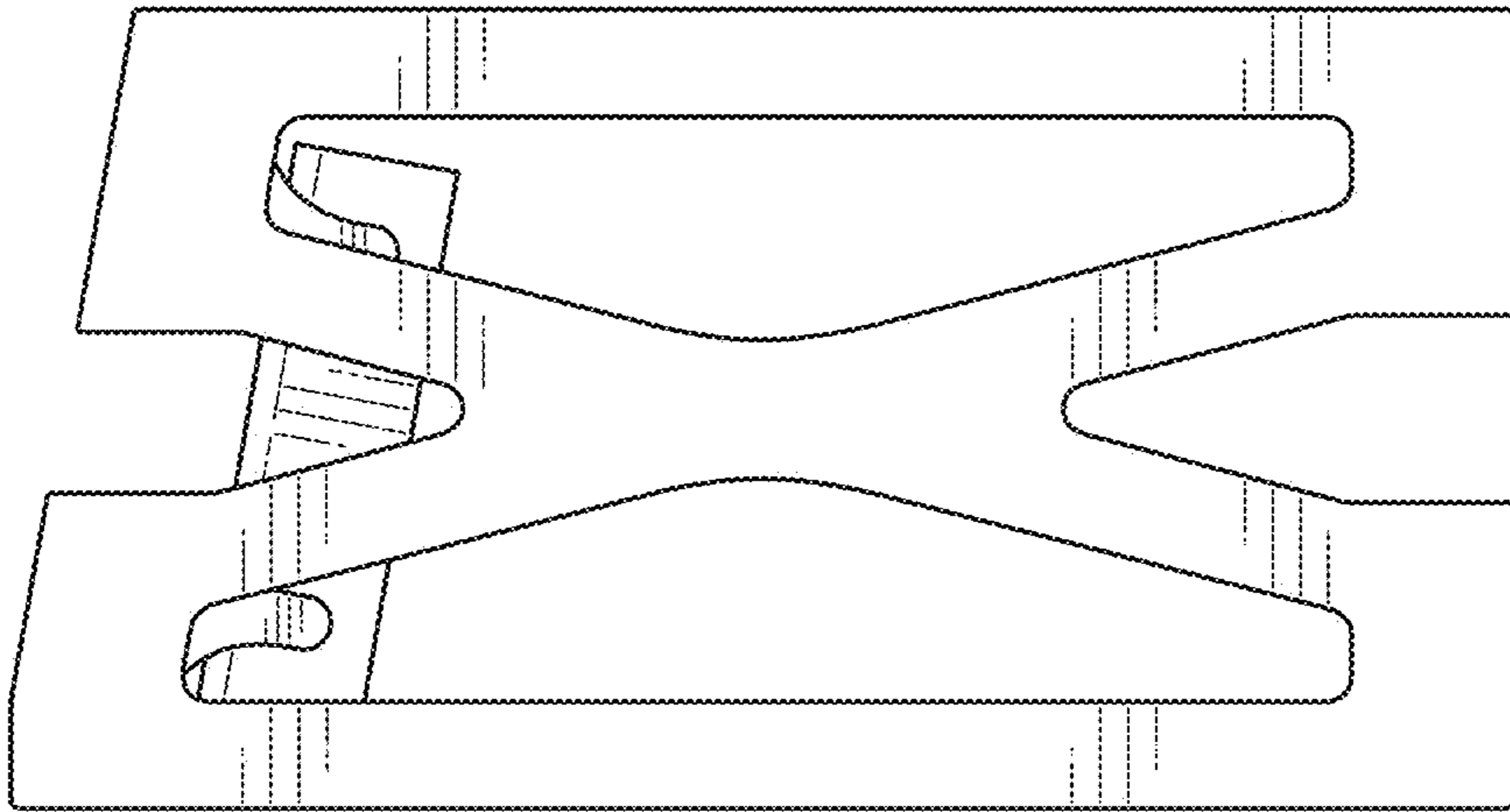


FIG. 12

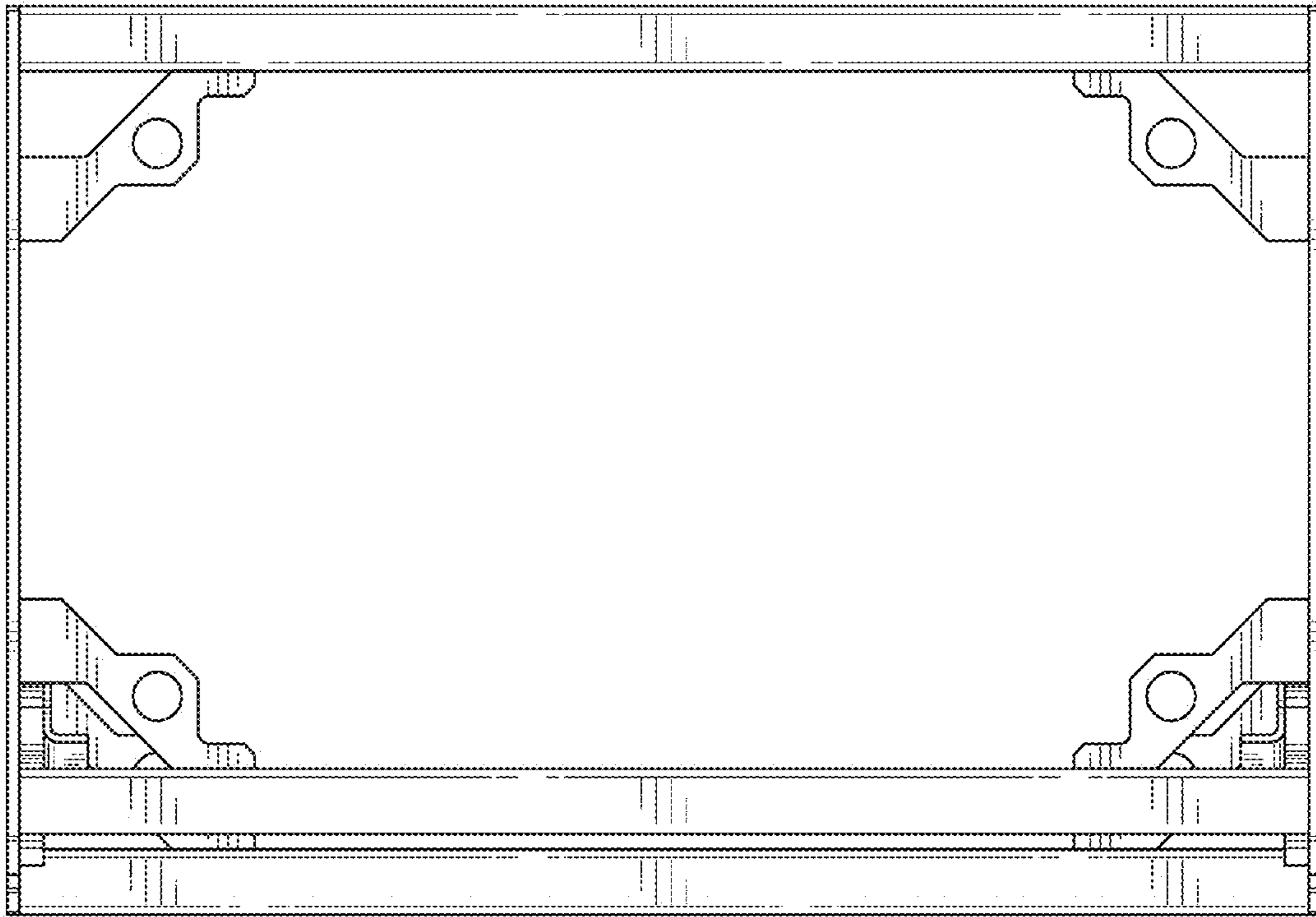


FIG. 13

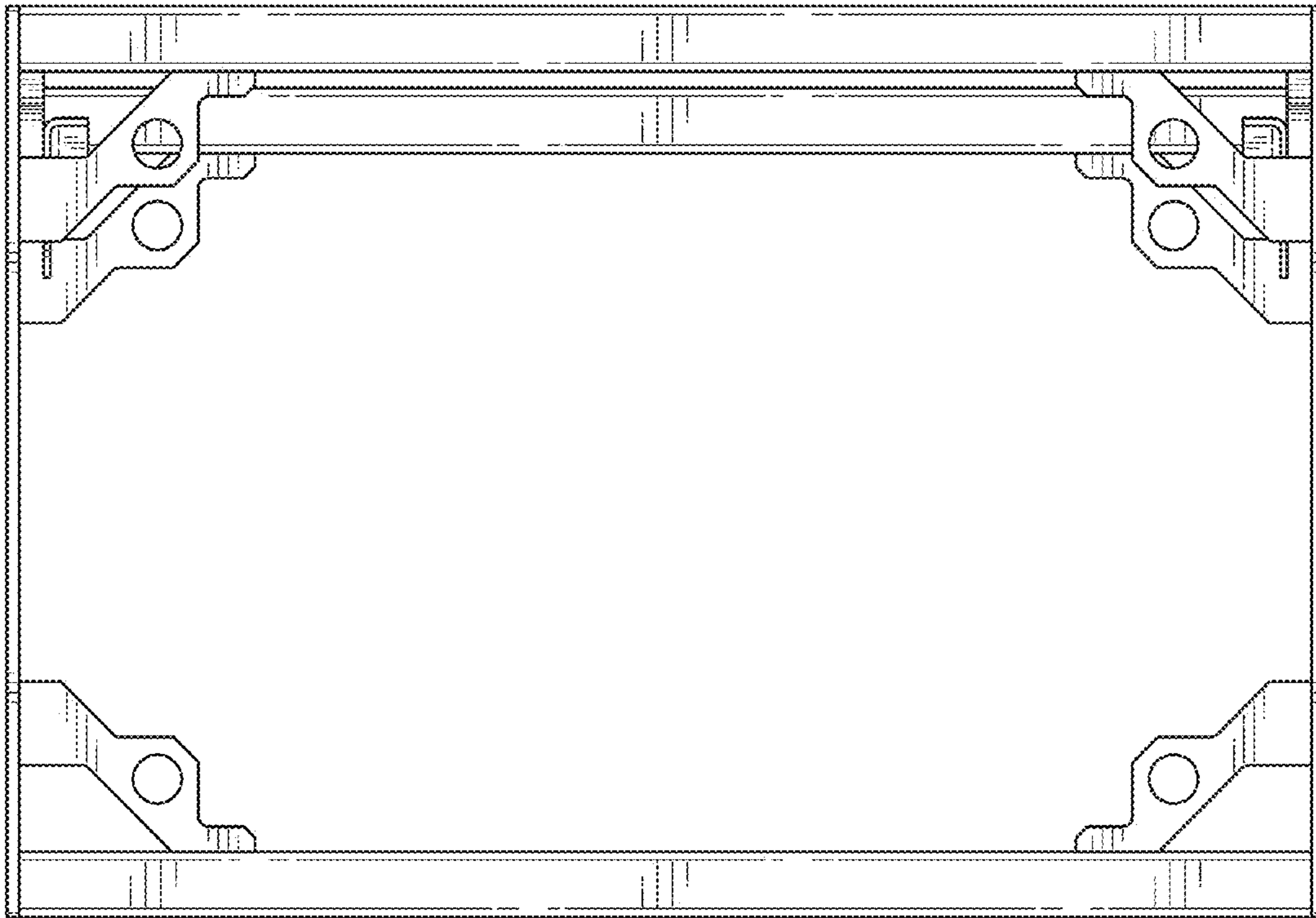


FIG. 14