



US00D763005S

(12) **United States Design Patent**  
**Rawls-Meehan**

(10) **Patent No.:** **US D763,005 S**  
(45) **Date of Patent:** **\*\* Aug. 9, 2016**

(54) **ADJUSTABLE BED**

(71) Applicant: **ASCION, LLC**, Bloomfield Hills, MI  
(US)  
(72) Inventor: **Martin B. Rawls-Meehan**, Franklin, MI  
(US)  
(73) Assignee: **ASCION, LLC**, Bloomfield Hills, MI  
(US)

(\*\*) Term: **14 Years**

(21) Appl. No.: **29/491,237**

(22) Filed: **May 19, 2014**

(51) **LOC (10) Cl.** ..... **06-02**

(52) **U.S. Cl.**  
USPC ..... **D6/392**

(58) **Field of Classification Search**  
USPC ..... D6/382-384, 392-395, 702, 605;  
5/53.1, 279.1, 280, 281, 907, 613, 616,  
5/618, 722  
CPC ..... A47C 19/02; A61G 7/015; A61G 7/00;  
A61G 7/0573  
See application file for complete search history.

(56) **References Cited**

**U.S. PATENT DOCUMENTS**

3,061,843 A \* 11/1962 Singer ..... A47C 20/043  
5/618  
3,644,946 A \* 2/1972 Swatt ..... A47C 20/041  
5/616  
4,095,296 A \* 6/1978 Ferro ..... A47C 20/041  
5/412  
6,276,011 B1 \* 8/2001 Antinori ..... A47C 20/041  
5/613  
7,047,579 B2 \* 5/2006 Piana ..... A47C 21/026  
5/193  
D653,870 S \* 2/2012 Messenger ..... D6/361  
D720,553 S \* 1/2015 Rawls-Meehan ..... D6/392  
2005/0011005 A1 \* 1/2005 Borda ..... A47C 19/04  
5/412

2007/0220677 A1 \* 9/2007 Dewert ..... A47C 20/08  
5/618  
2009/0193587 A1 \* 8/2009 Neuenswander .... A47C 20/041  
5/618  
2011/0247138 A1 \* 10/2011 Clenet ..... A47C 20/04  
5/613  
2013/0283531 A1 10/2013 Rawls-Meehan  
2014/0000033 A1 \* 1/2014 Clenet ..... A61G 7/015  
5/618  
2014/0352068 A1 \* 12/2014 Xu ..... A47C 20/041  
5/616

\* cited by examiner

*Primary Examiner* — Janice Seeger

(74) *Attorney, Agent, or Firm* — Dinsmore & Shohl LLP;  
Douglas L. Wathen

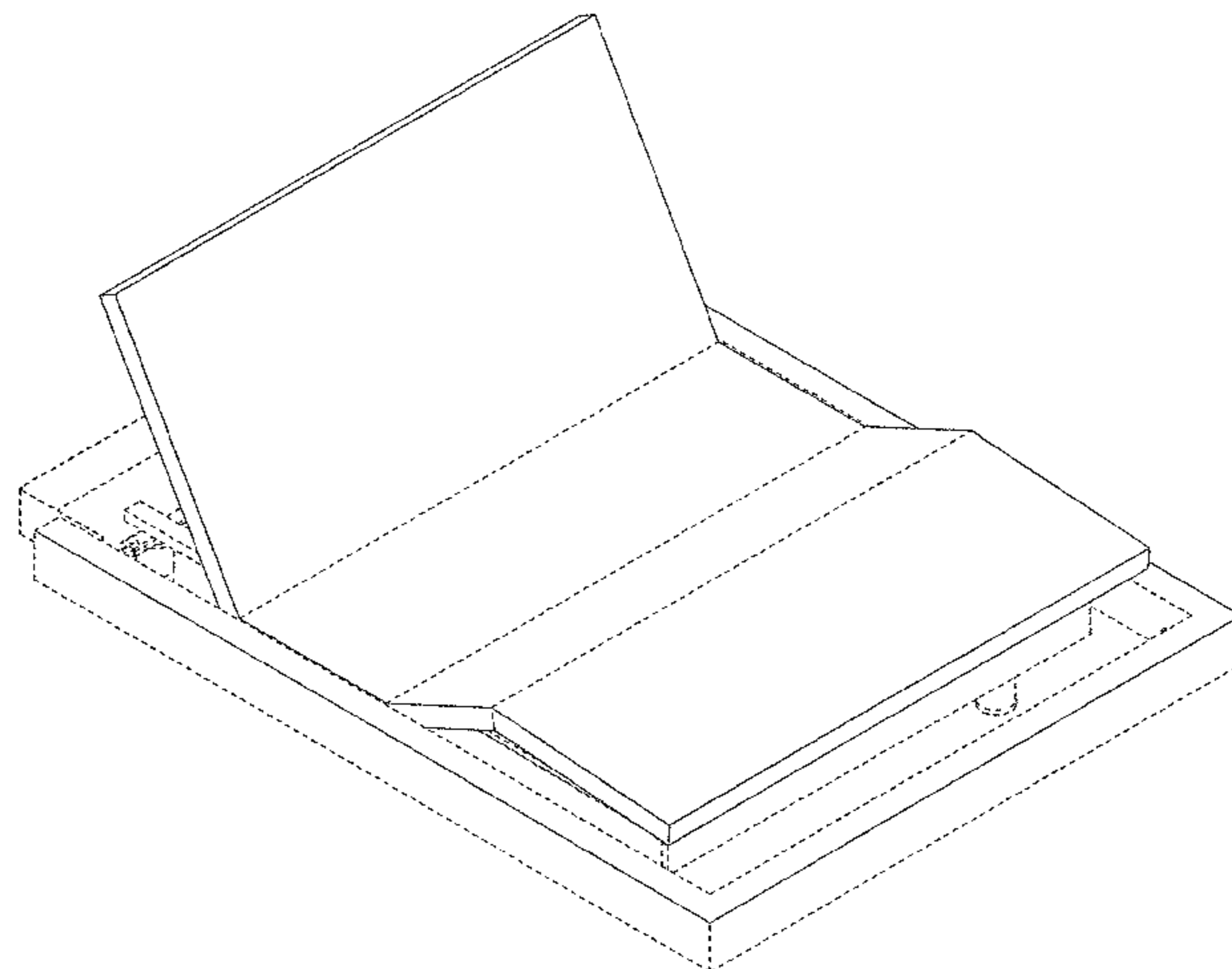
(57) **CLAIM**

The ornamental design for an adjustable bed, as shown and described.

**DESCRIPTION**

FIG. 1 is a perspective view of a first embodiment of an adjustable bed in accordance with the present invention; FIG. 2 is a side view of the adjustable bed of FIG. 1, the opposite side being a mirror image thereof; FIG. 3 is a top view of the adjustable bed of FIGS. 1 and 2; FIG. 4 is a rear view of the adjustable bed of FIGS. 1-3; FIG. 5 is a front view of the adjustable bed of FIGS. 1-4; FIG. 6 is a bottom view of the adjustable bed of FIGS. 1-5; FIG. 7 is a perspective view of a second embodiment of an adjustable bed in accordance with the present invention; FIG. 8 is a side view of the adjustable bed of FIG. 7, the opposite side being a mirror image thereof; FIG. 9 is a top view of the adjustable bed of FIGS. 7 and 8; FIG. 10 is a rear view of the adjustable bed of FIGS. 7-9; FIG. 11 is a front view of the adjustable bed of FIGS. 7-10; and, FIG. 12 is a bottom view of the adjustable bed of FIGS. 7-11. The broken lines are for environmental purposes only and form no part of the claimed design.

**1 Claim, 12 Drawing Sheets**



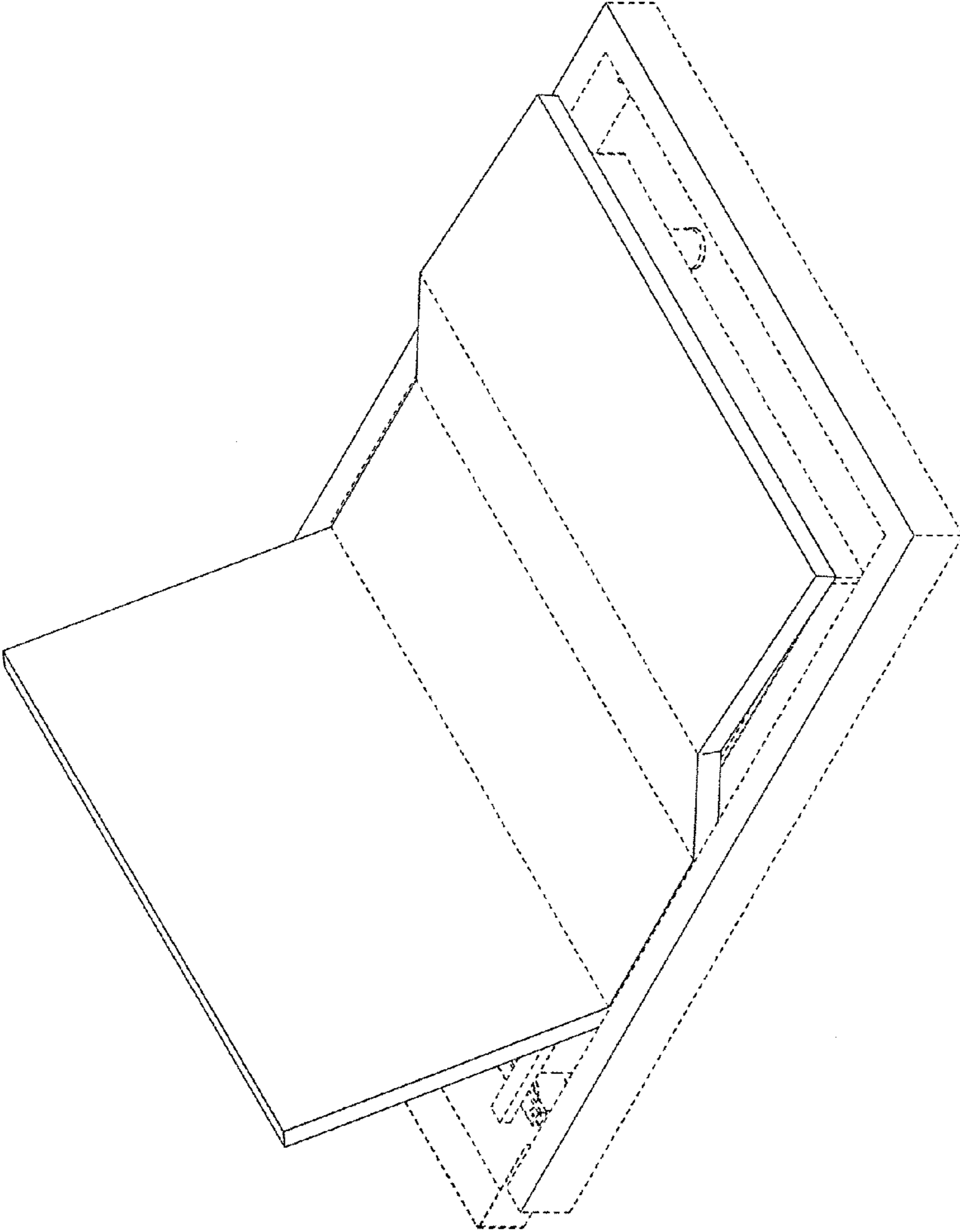


Fig. 1

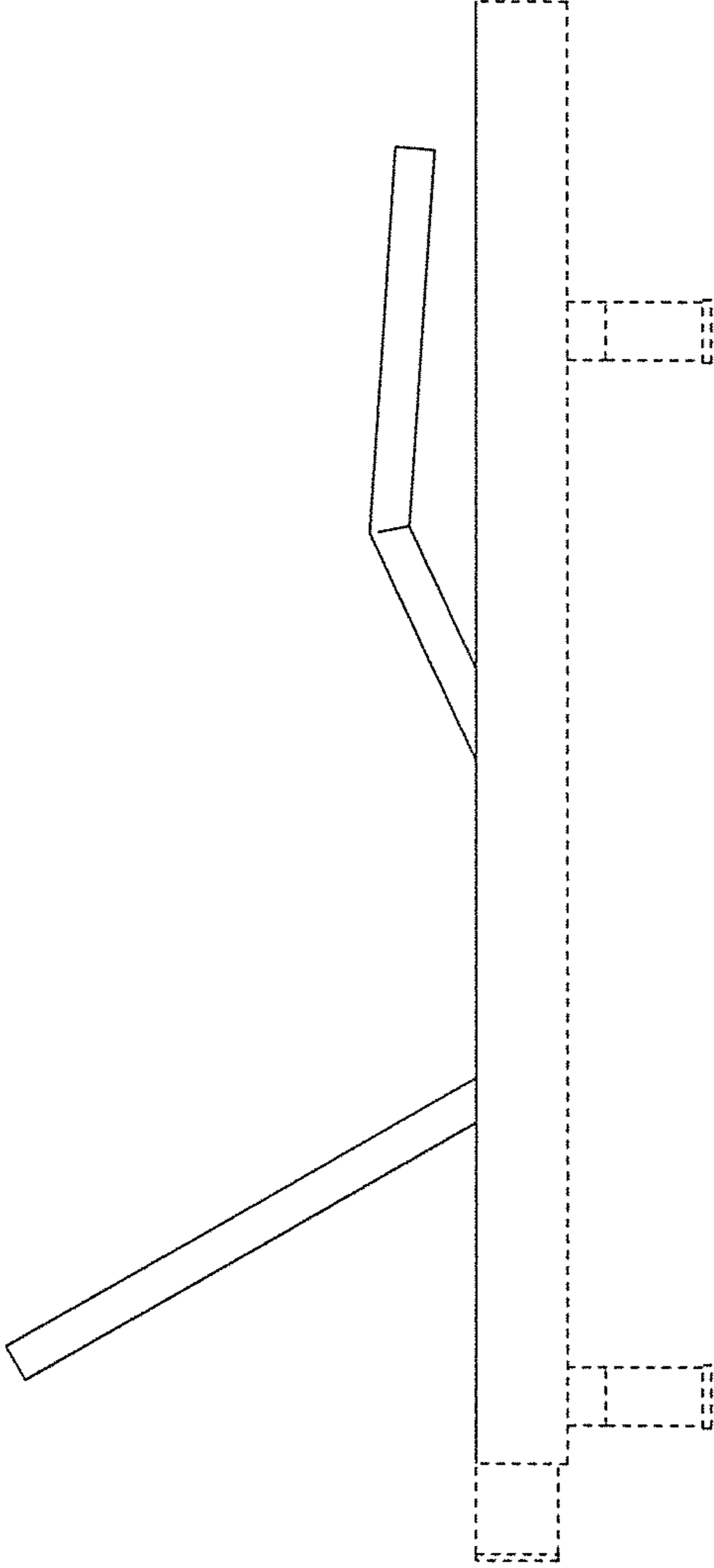


Fig. 2

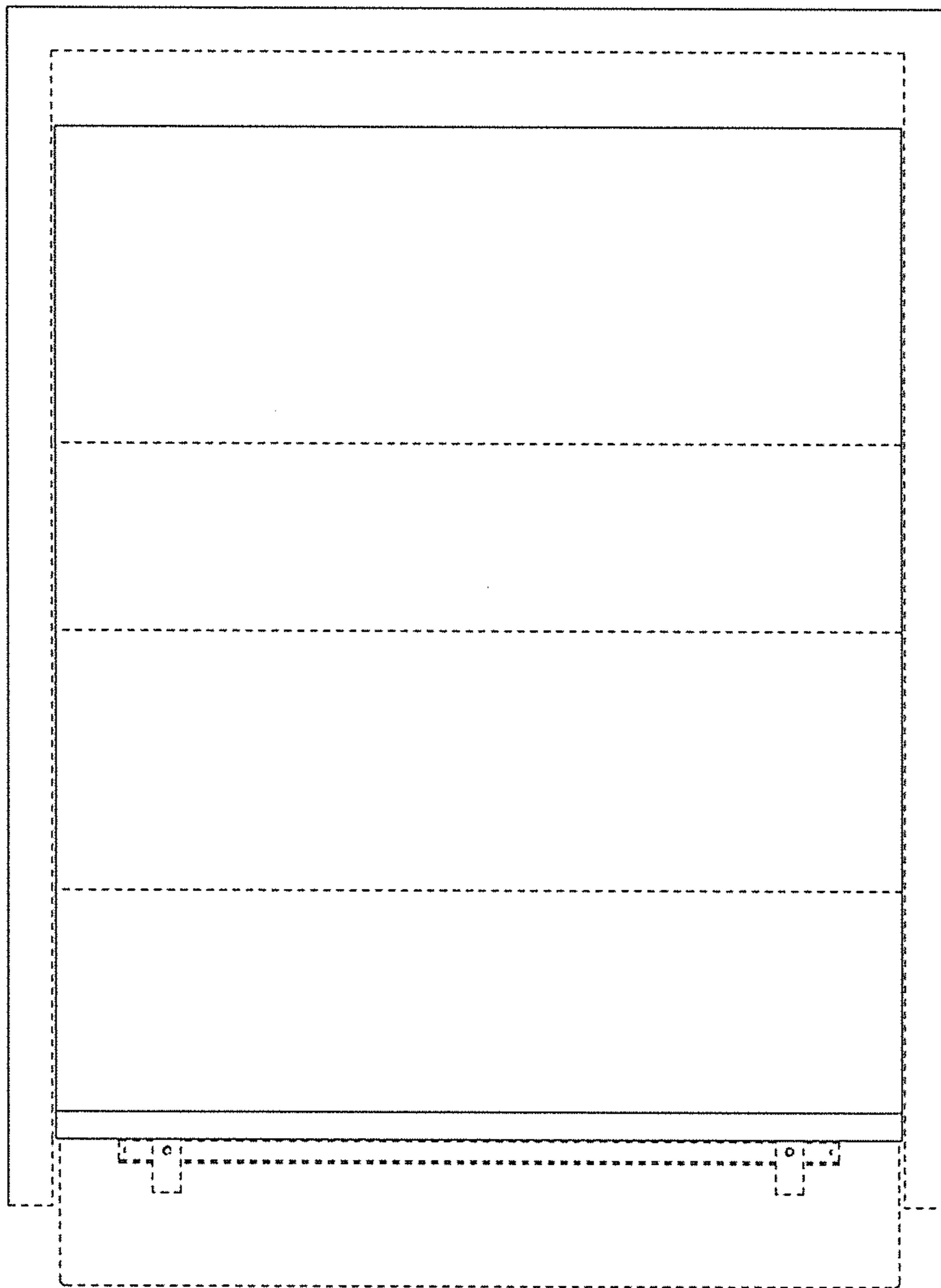


Fig. 3

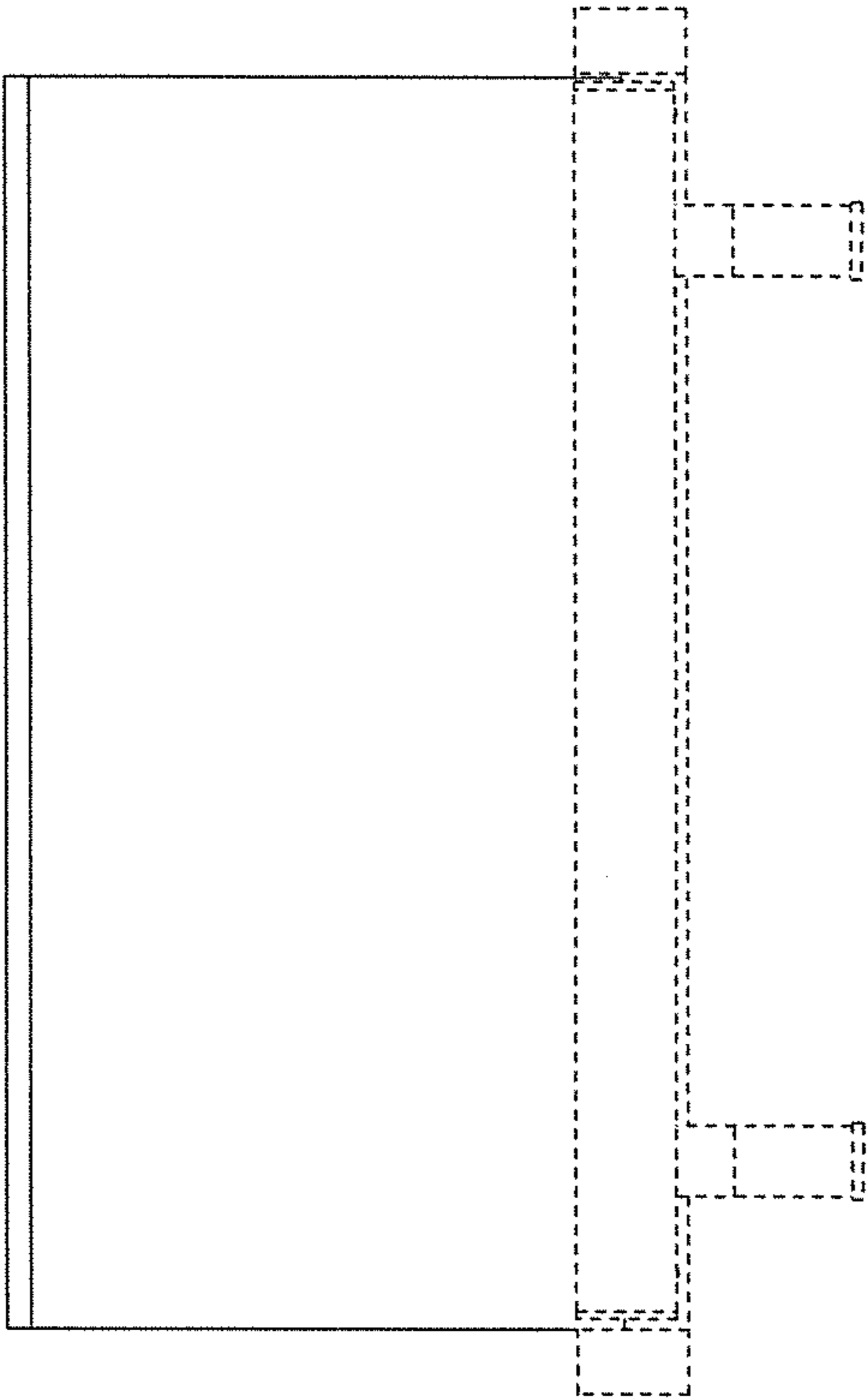


Fig. 4

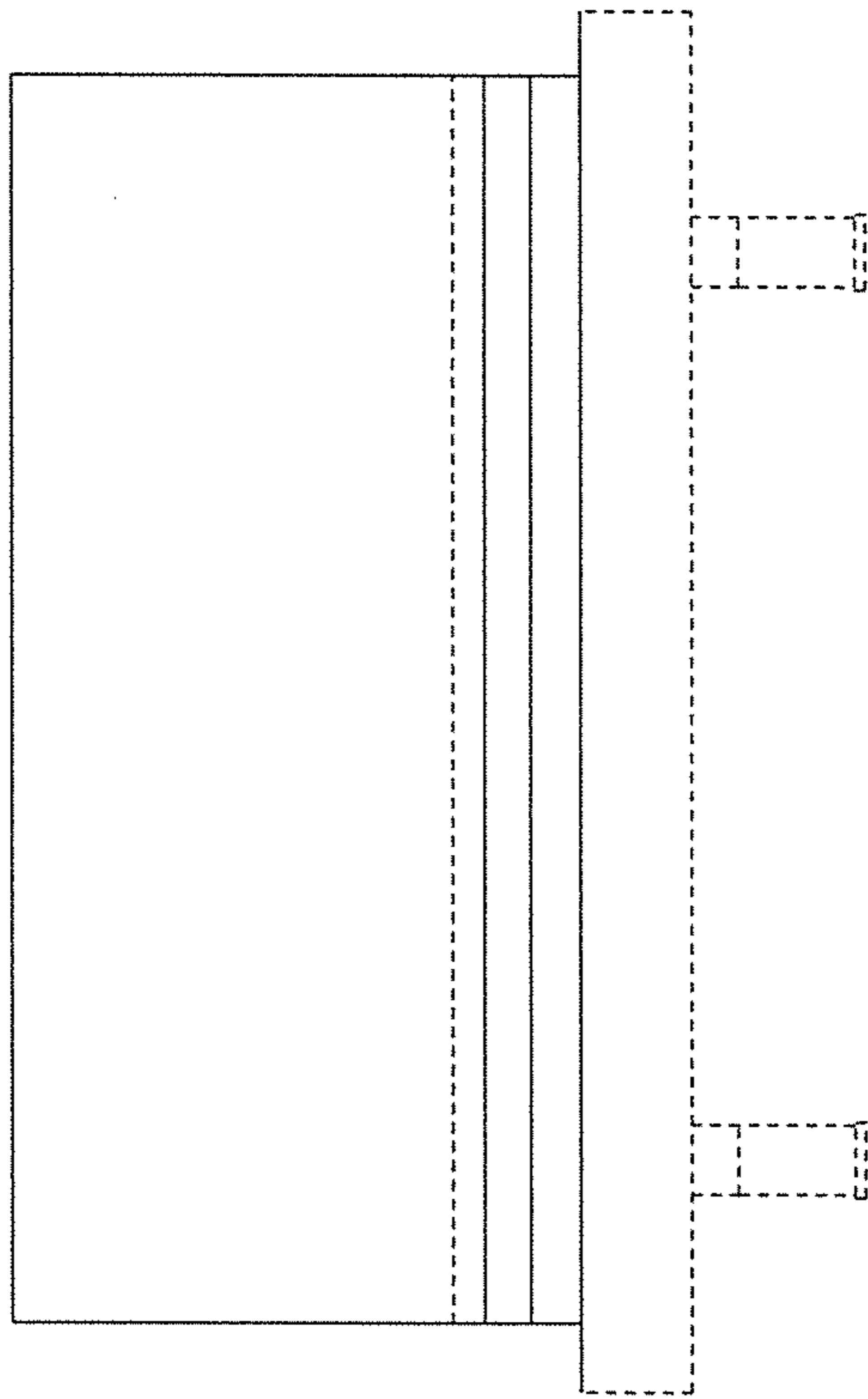


Fig. 5

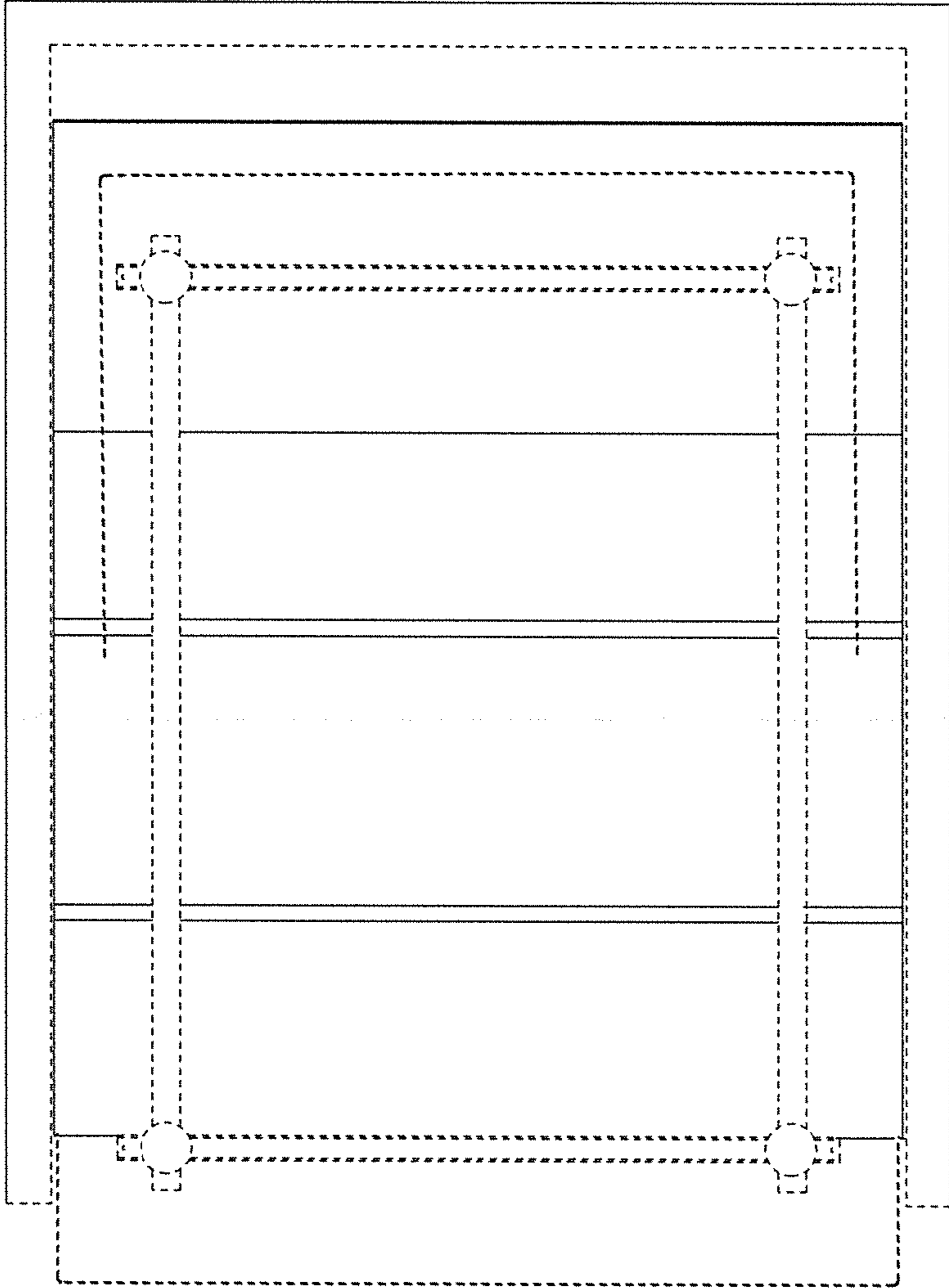


Fig. 6

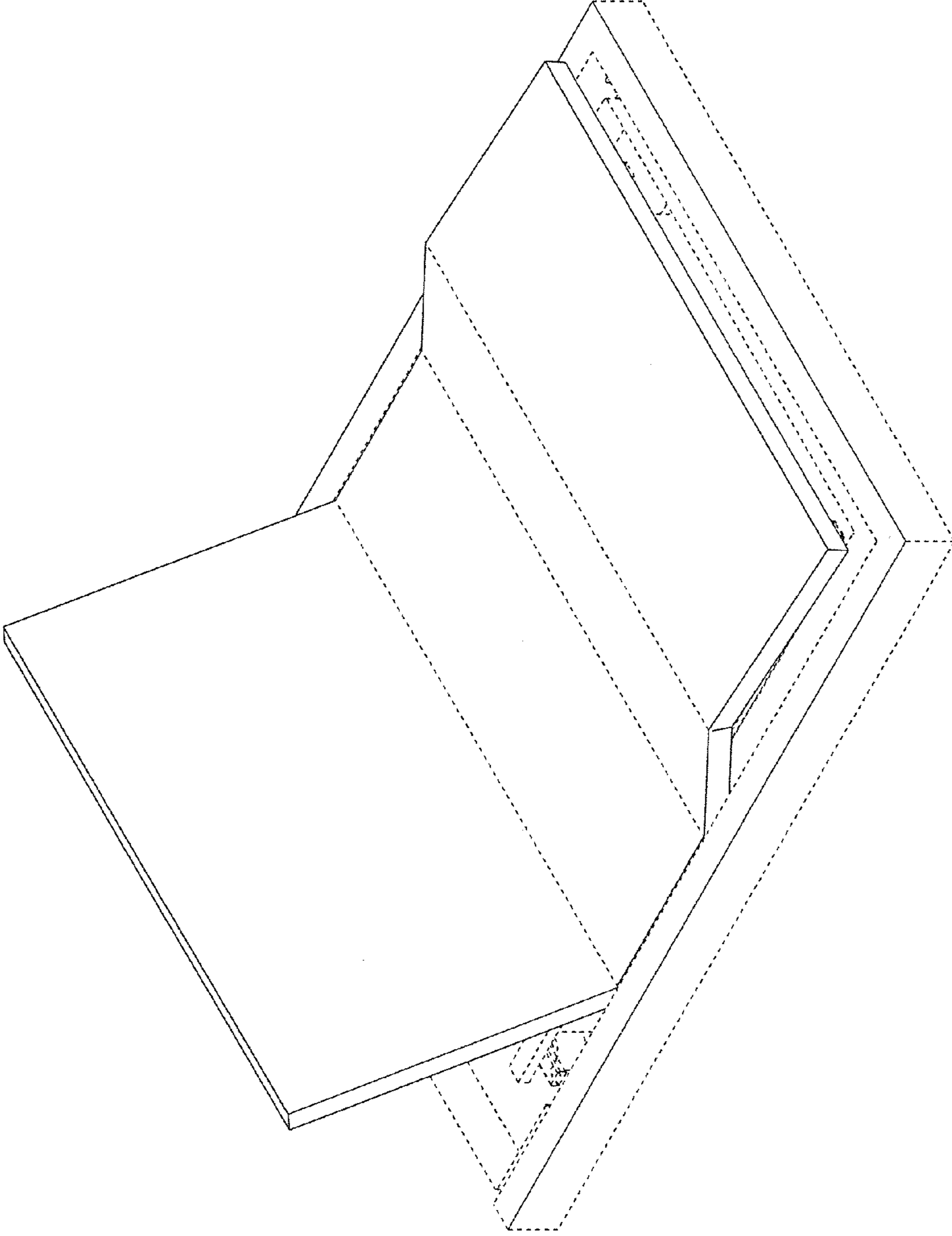


Fig. 7



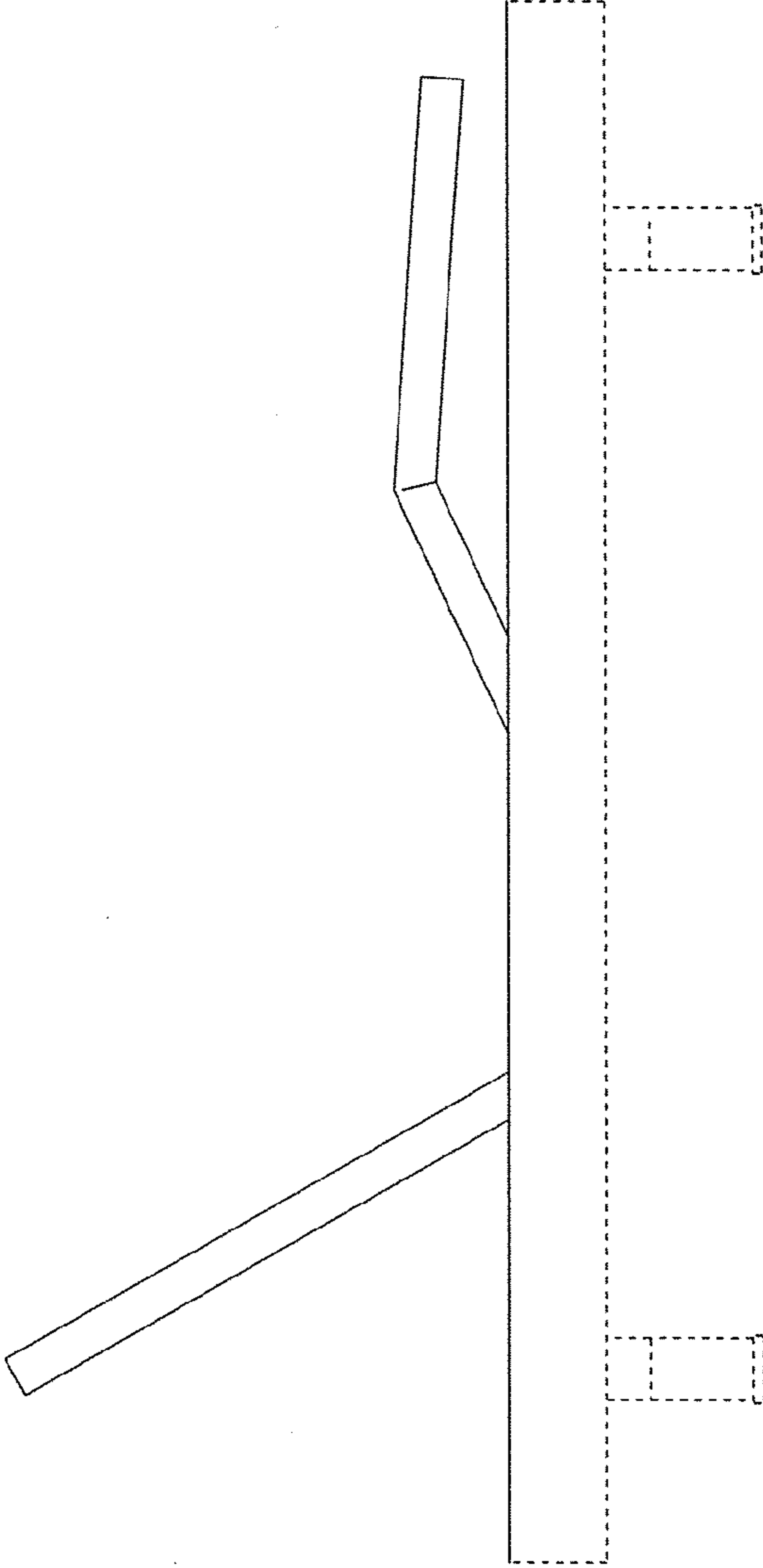


Fig. 8

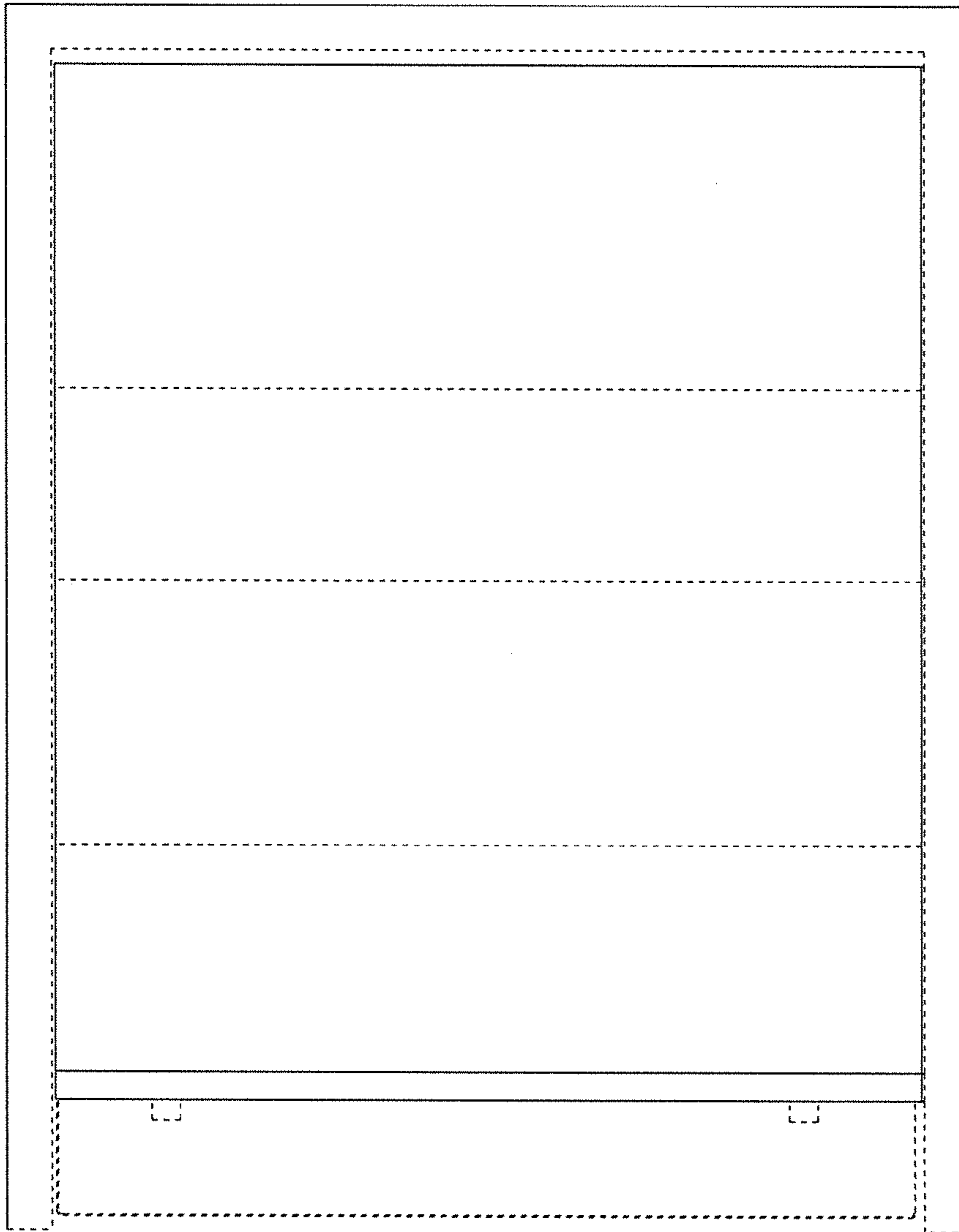


Fig. 9

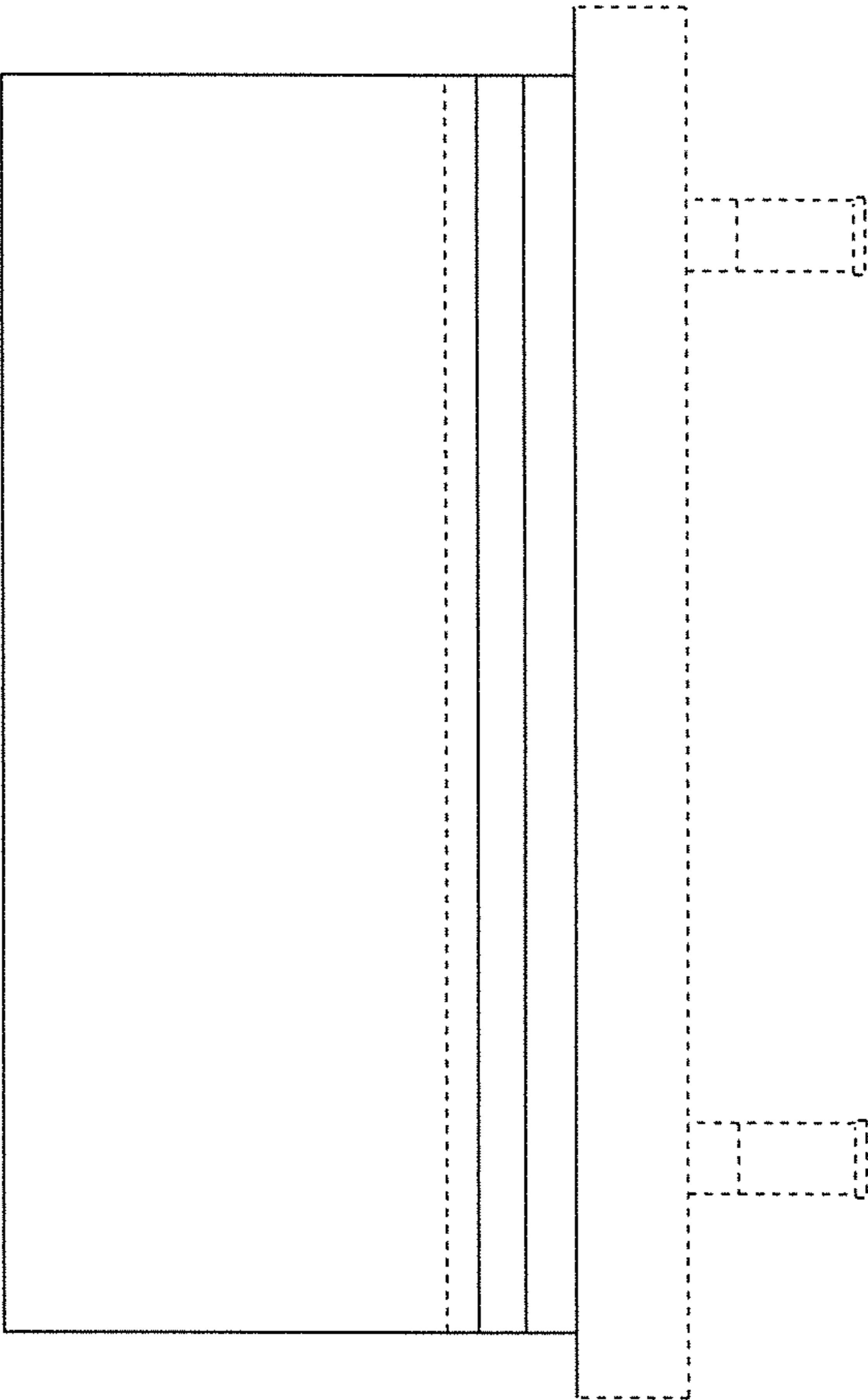


Fig. 10

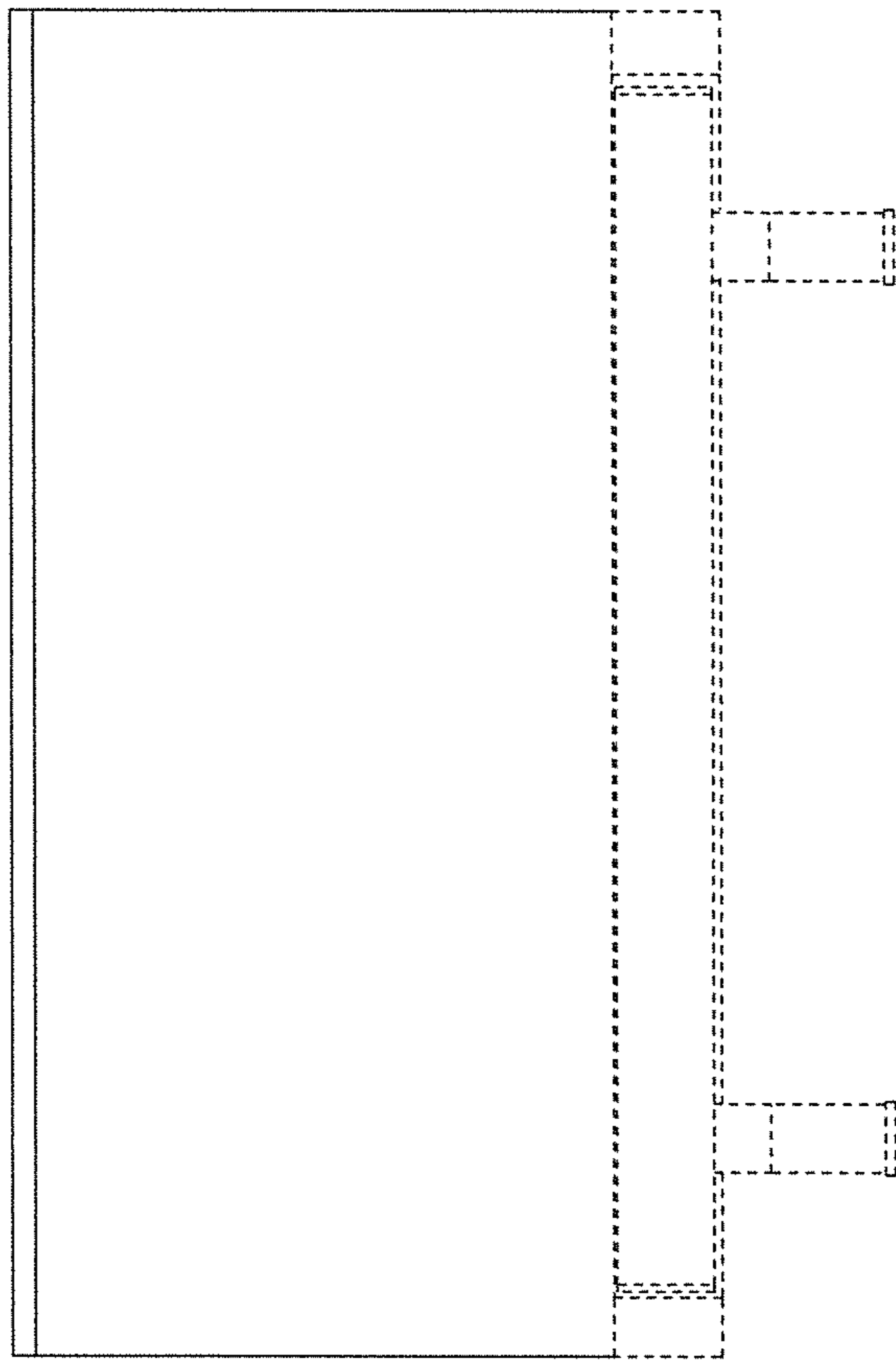


Fig. 11

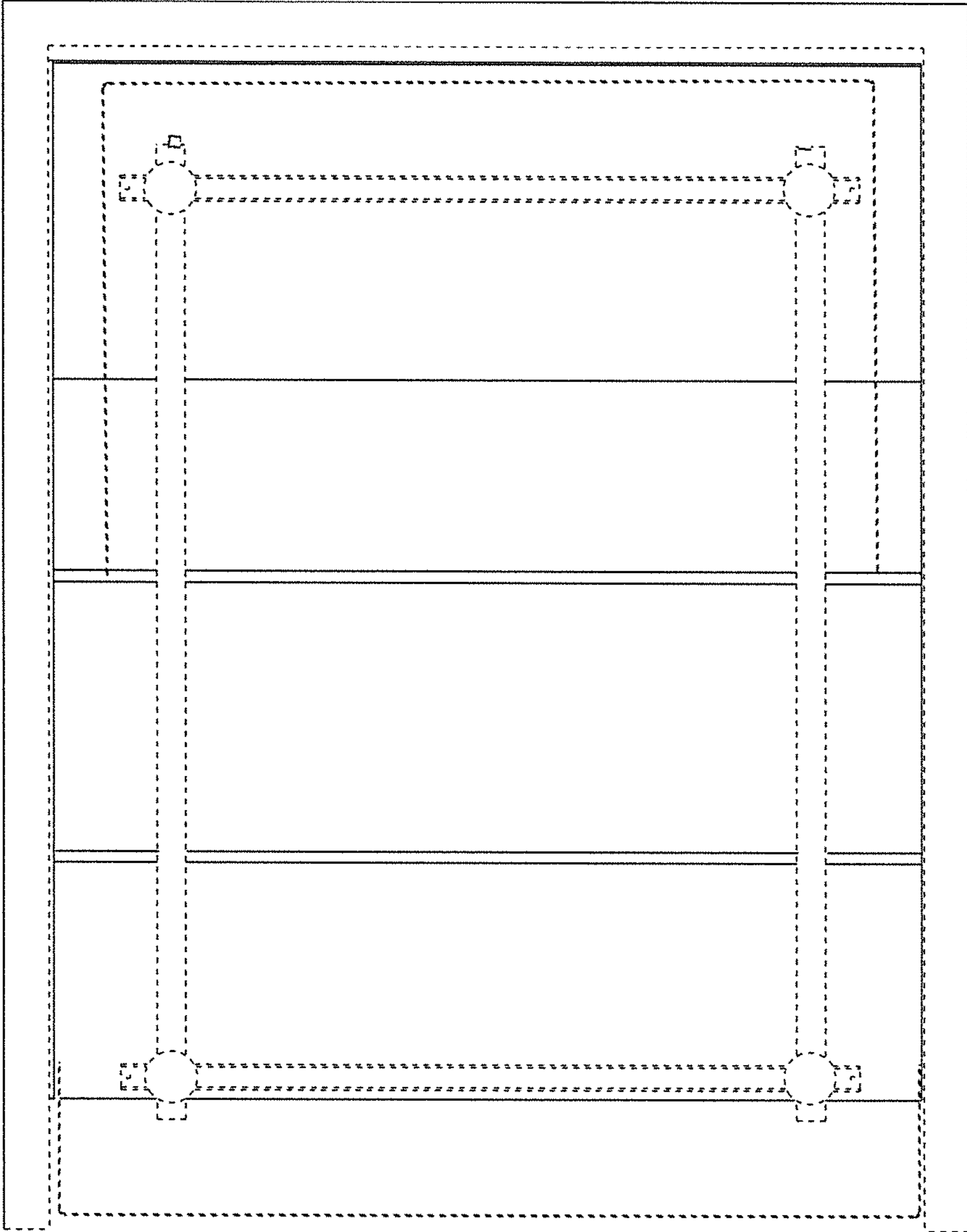


Fig. 12