



US00D762999S

(12) **United States Design Patent**
Huang

(10) **Patent No.:** **US D762,999 S**

(45) **Date of Patent:** **** Aug. 9, 2016**

(54) **PLASTIC CHAIR**

(71) Applicant: **Tsung-Chieh Huang**, Taipei (TW)

(72) Inventor: **Tsung-Chieh Huang**, Taipei (TW)

(**) Term: **14 Years**

(21) Appl. No.: **29/517,475**

(22) Filed: **Feb. 12, 2015**

(51) **LOC (10) Cl.** **06-01**

(52) **U.S. Cl.**
USPC **D6/375**

(58) **Field of Classification Search**
USPC D6/334-336, 371, 373, 374, 375, 716,
D6/716.1, 716.4
CPC A47C 3/04; A47C 4/03; A47C 4/02;
A47C 5/04; A47C 3/12; A47C 7/16; A47C
5/12
See application file for complete search history.

(56) **References Cited**

U.S. PATENT DOCUMENTS

D142,800 S * 11/1945 Watson 297/452.12
D192,029 S * 1/1962 Avedon et al. 297/452.14
D390,026 S * 2/1998 Biecher D6/374

D465,100 S * 11/2002 Savini D6/375
6,843,529 B2 * 1/2005 Ballendat A47C 3/04
297/239
D555,379 S * 11/2007 Ziliani D6/375
D656,754 S * 4/2012 Starck D6/375
D670,099 S * 11/2012 Olivares D6/375
D715,573 S * 10/2014 Lloyd D6/375
D729,538 S * 5/2015 Kotilainen D6/375
D743,180 S * 11/2015 Mehaffey D6/375

* cited by examiner

Primary Examiner — Mimoso De

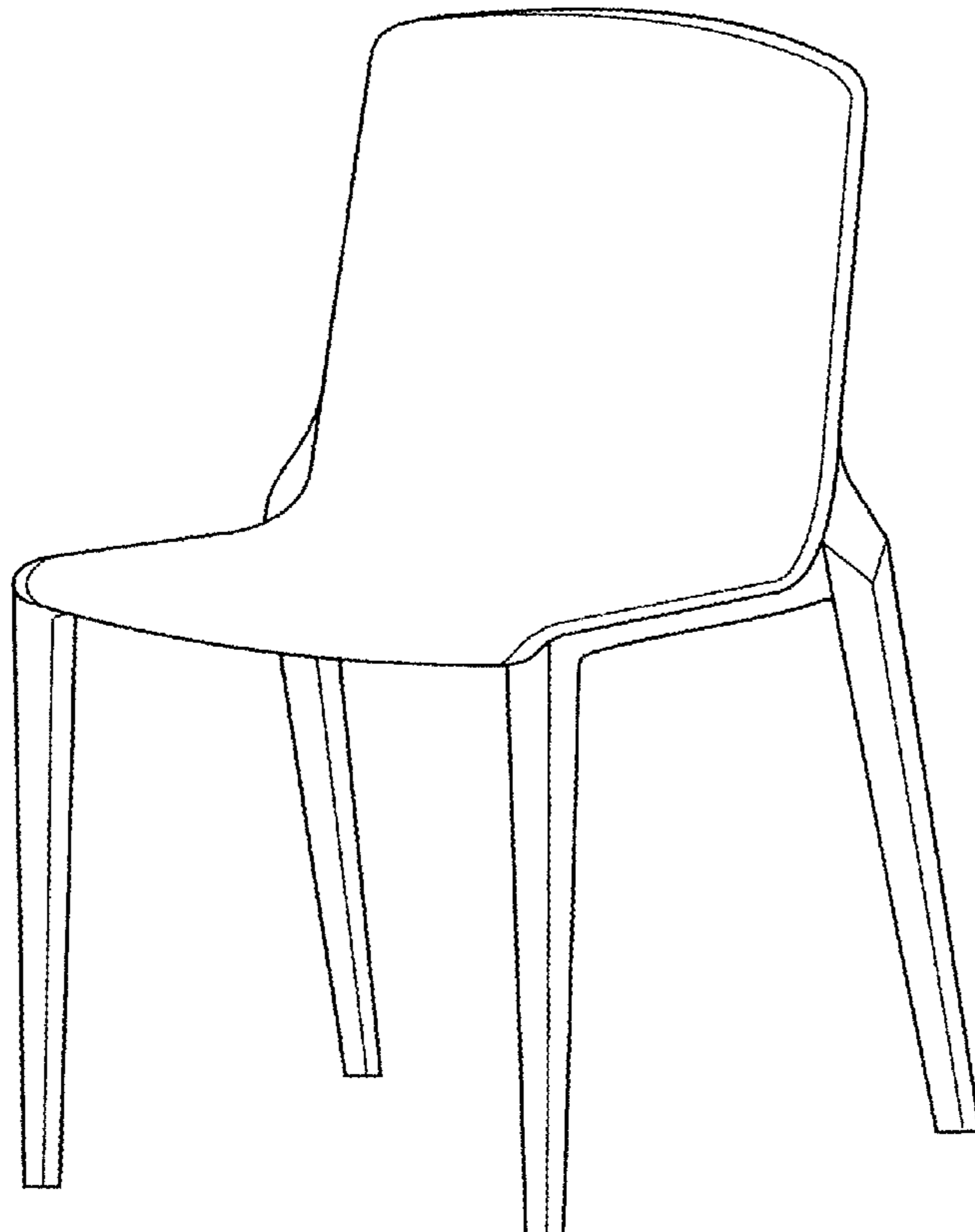
(57) **CLAIM**

The ornamental design for a plastic chair, as shown and described.

DESCRIPTION

FIG. 1 is a perspective view of a plastic chair showing my new design.
FIG. 2 is a front elevational view thereof.
FIG. 3 is a right side view thereof.
FIG. 4 is a left side view thereof;
FIG. 5 is a rear elevational view thereof.
FIG. 6 is a top plan view thereof; and,
FIG. 7 is a bottom plan view thereof, in that those shown by dashed lines are not claimed.

1 Claim, 7 Drawing Sheets



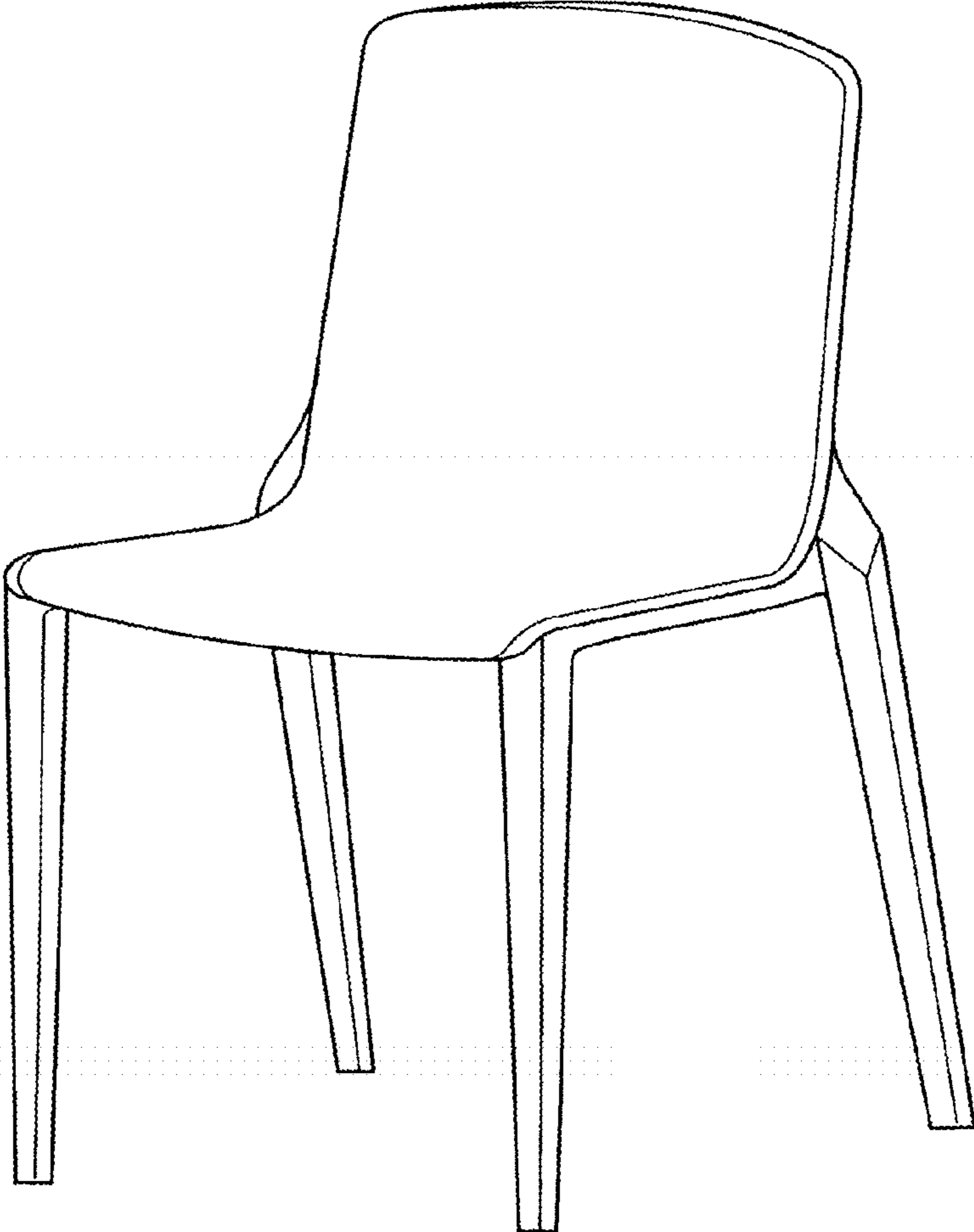


FIG. 1

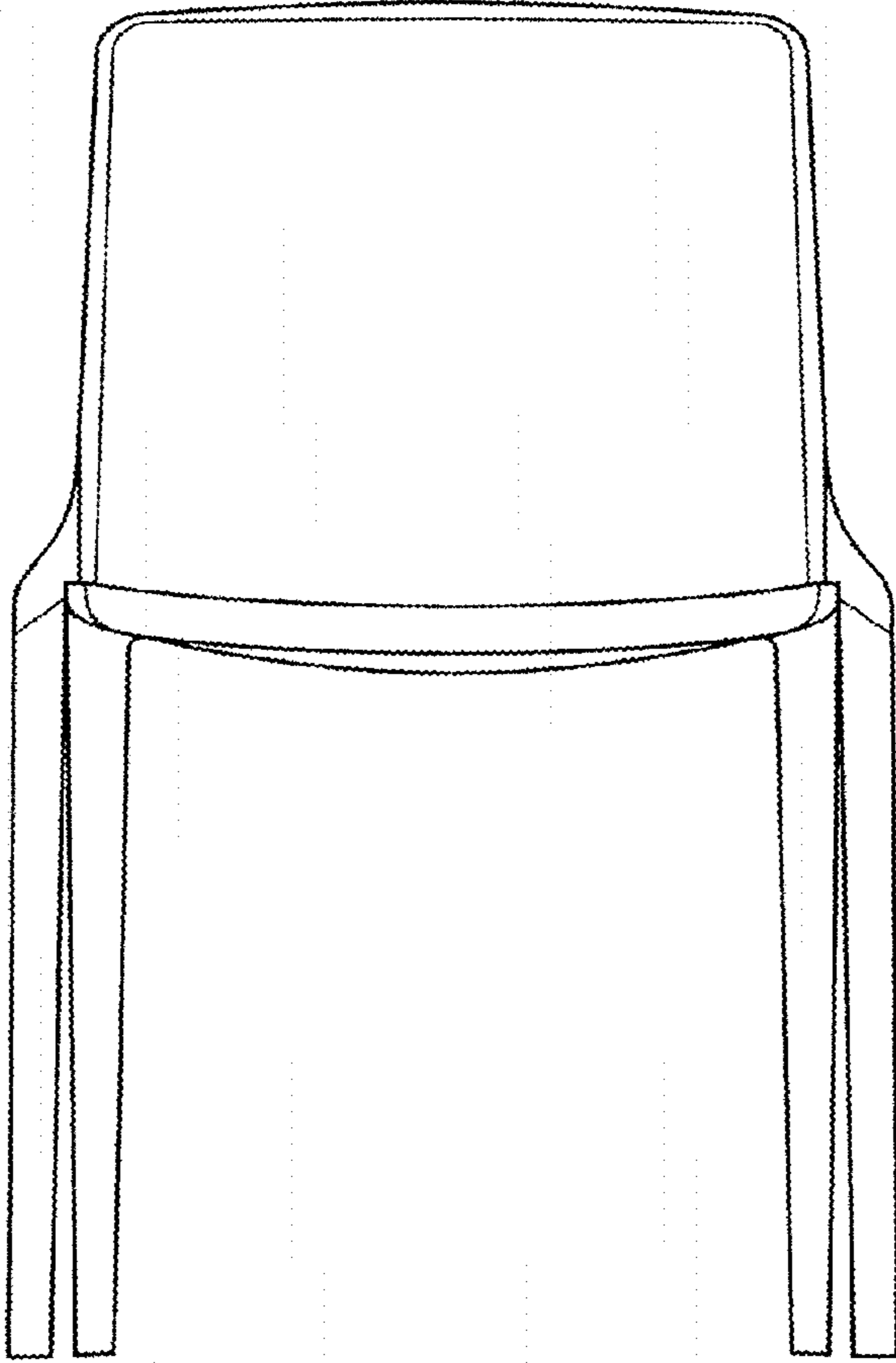


FIG. 2

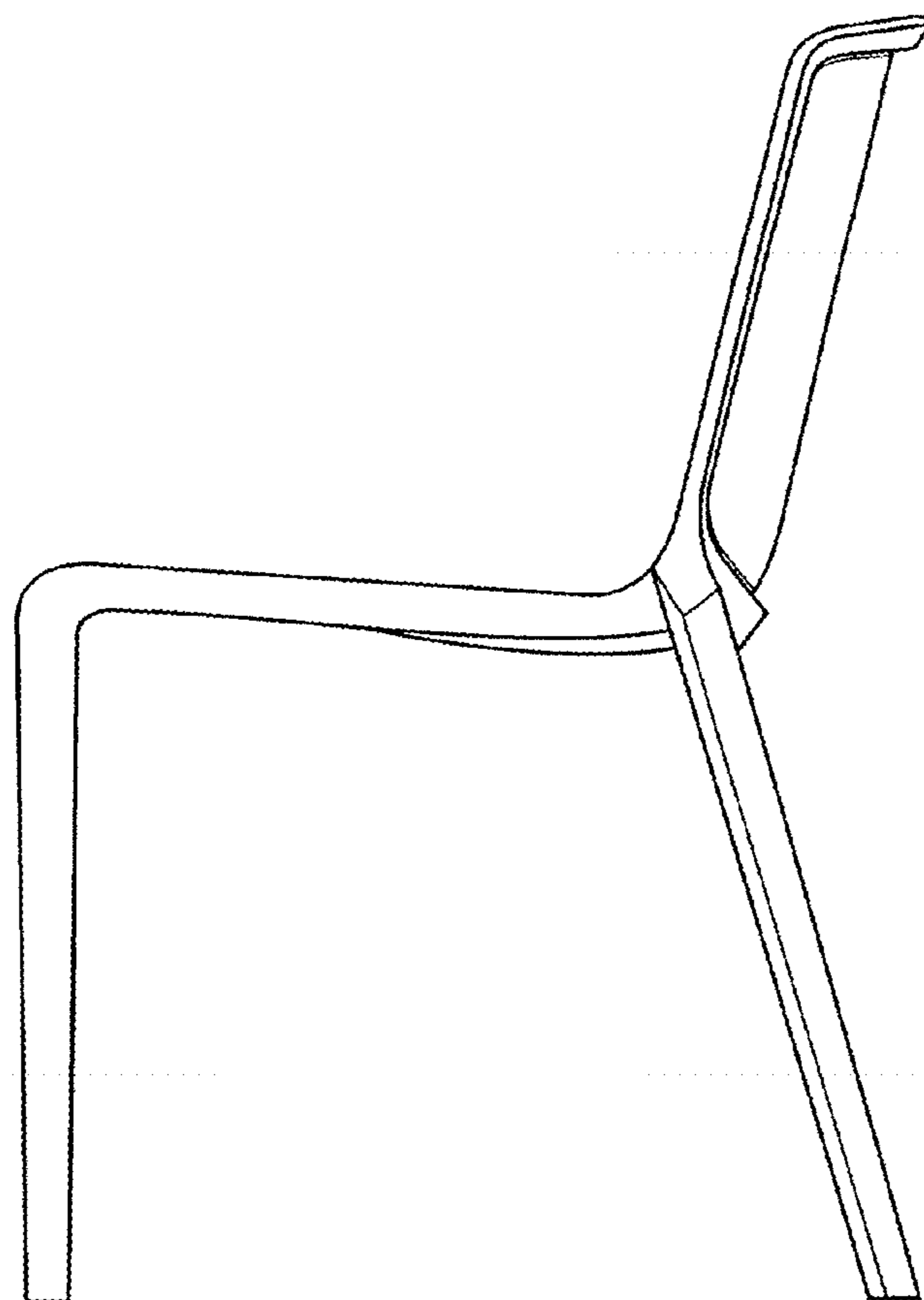


FIG. 3

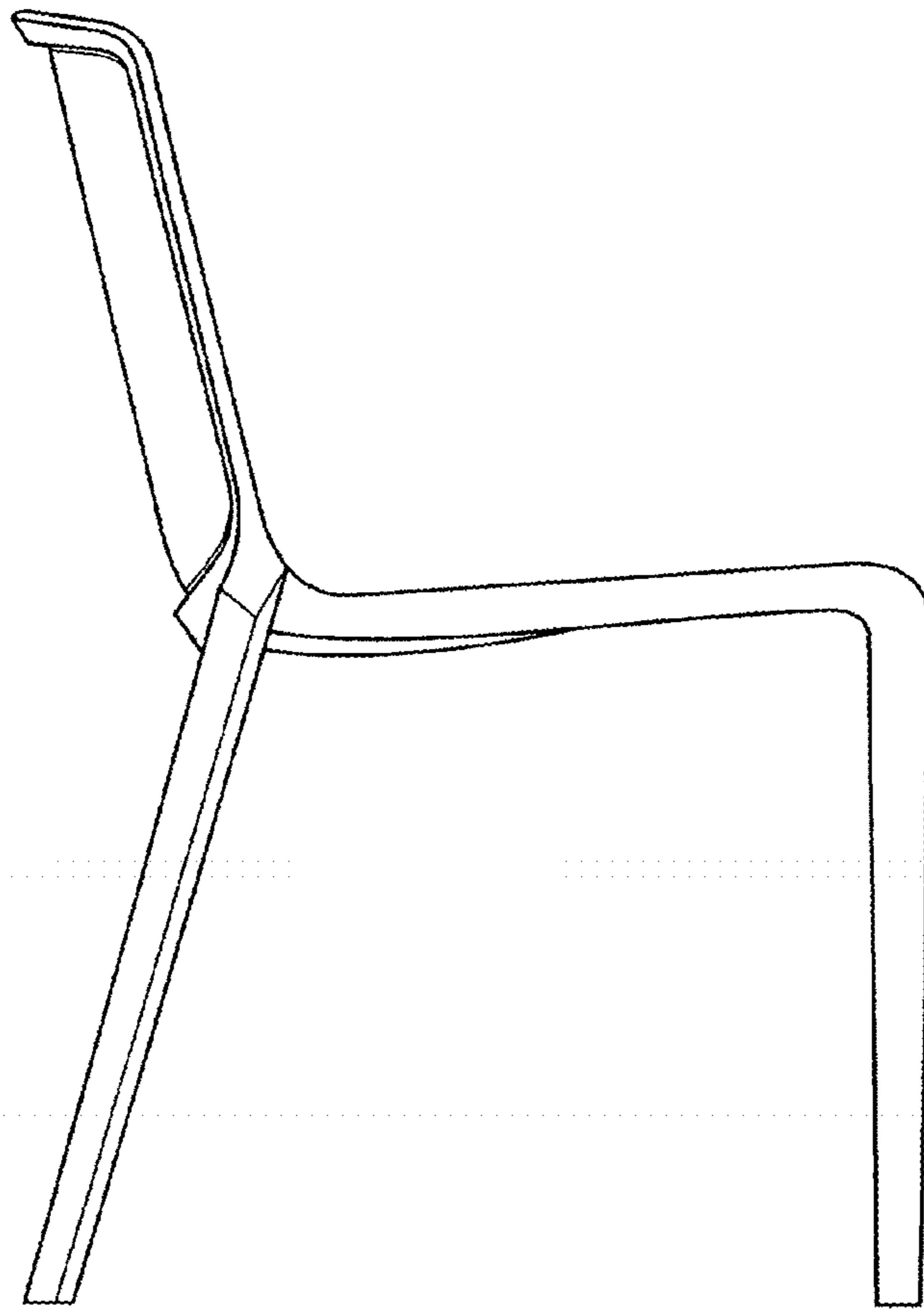


FIG. 4

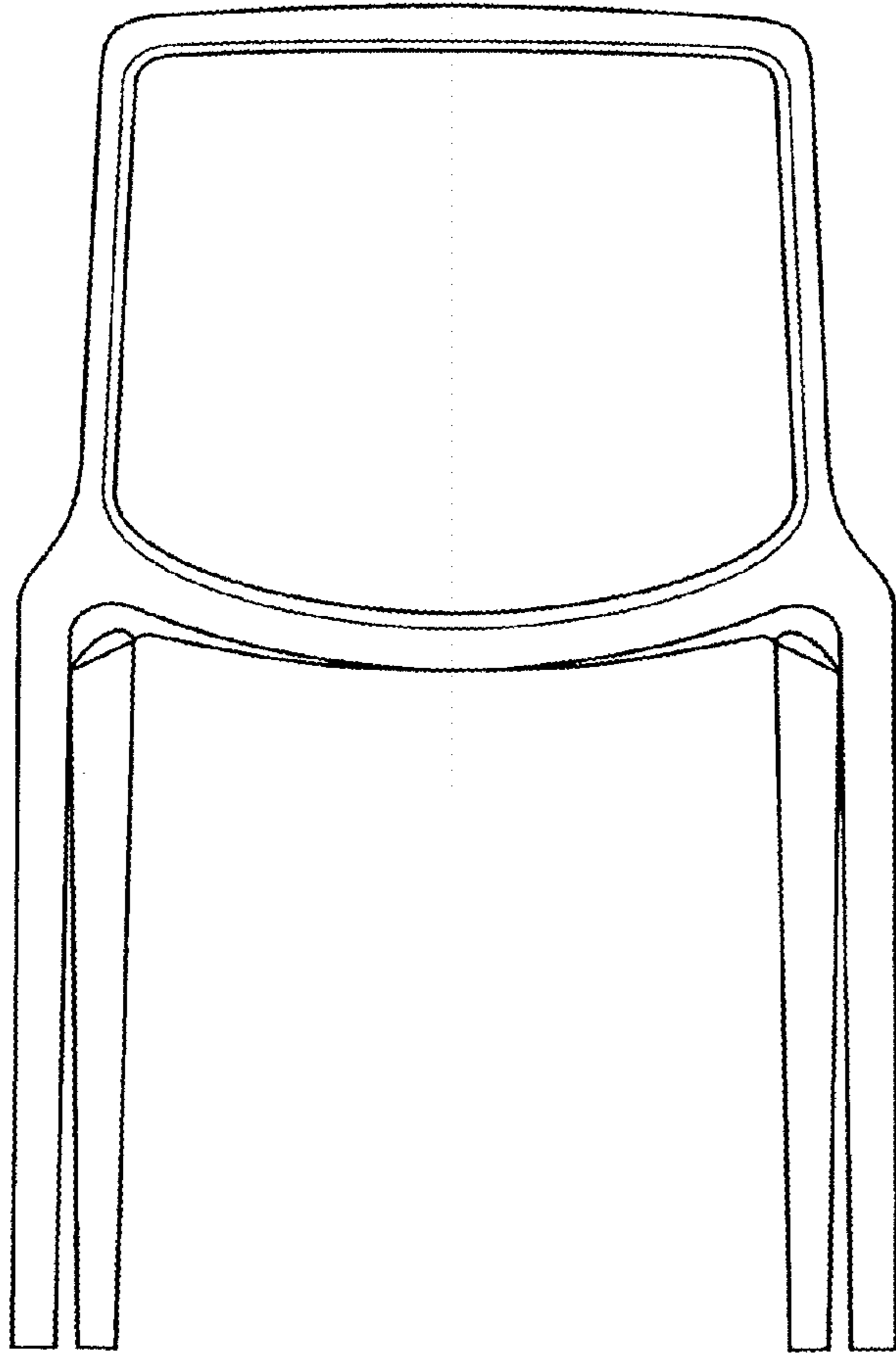


FIG. 5

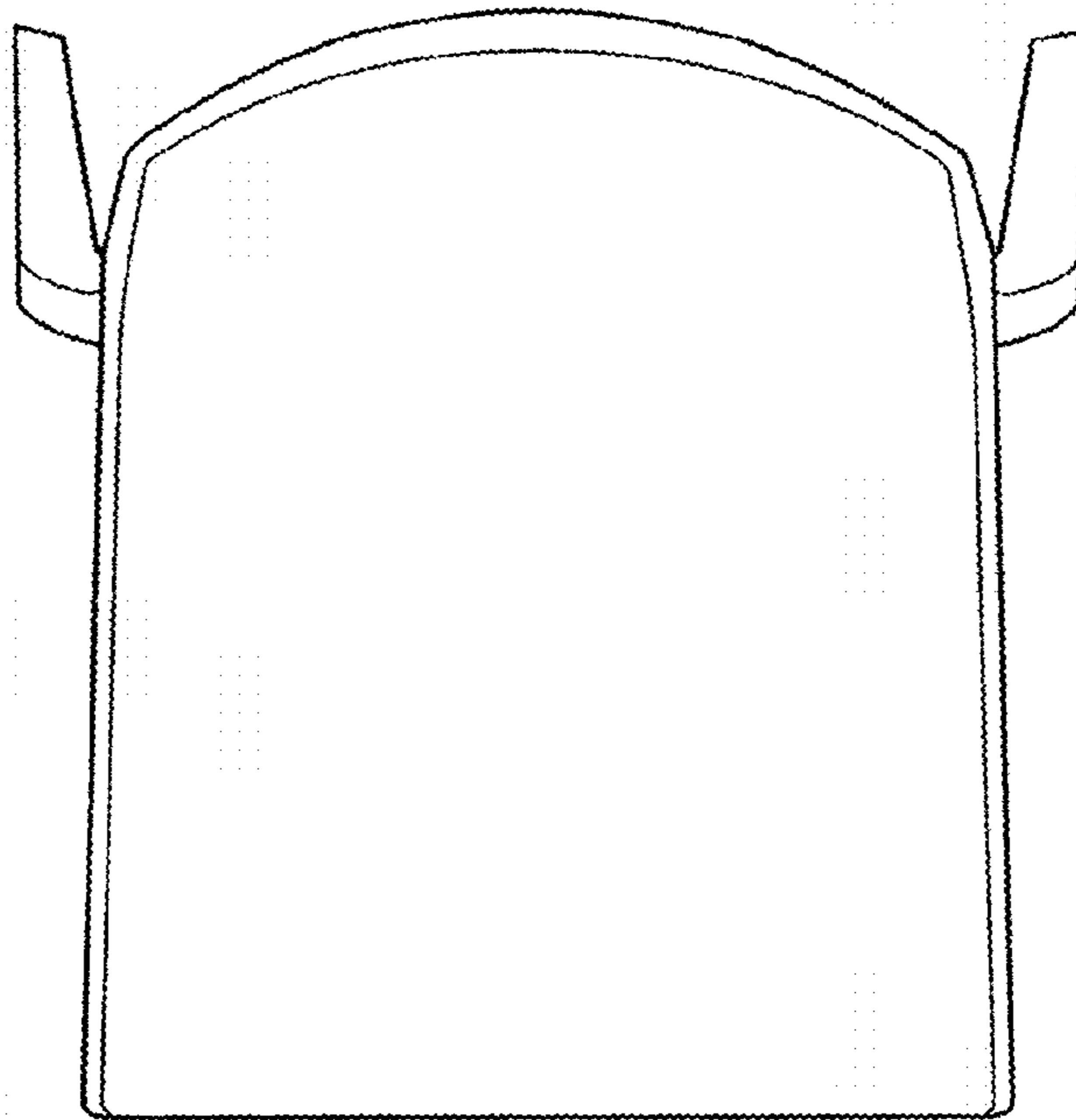


FIG. 6

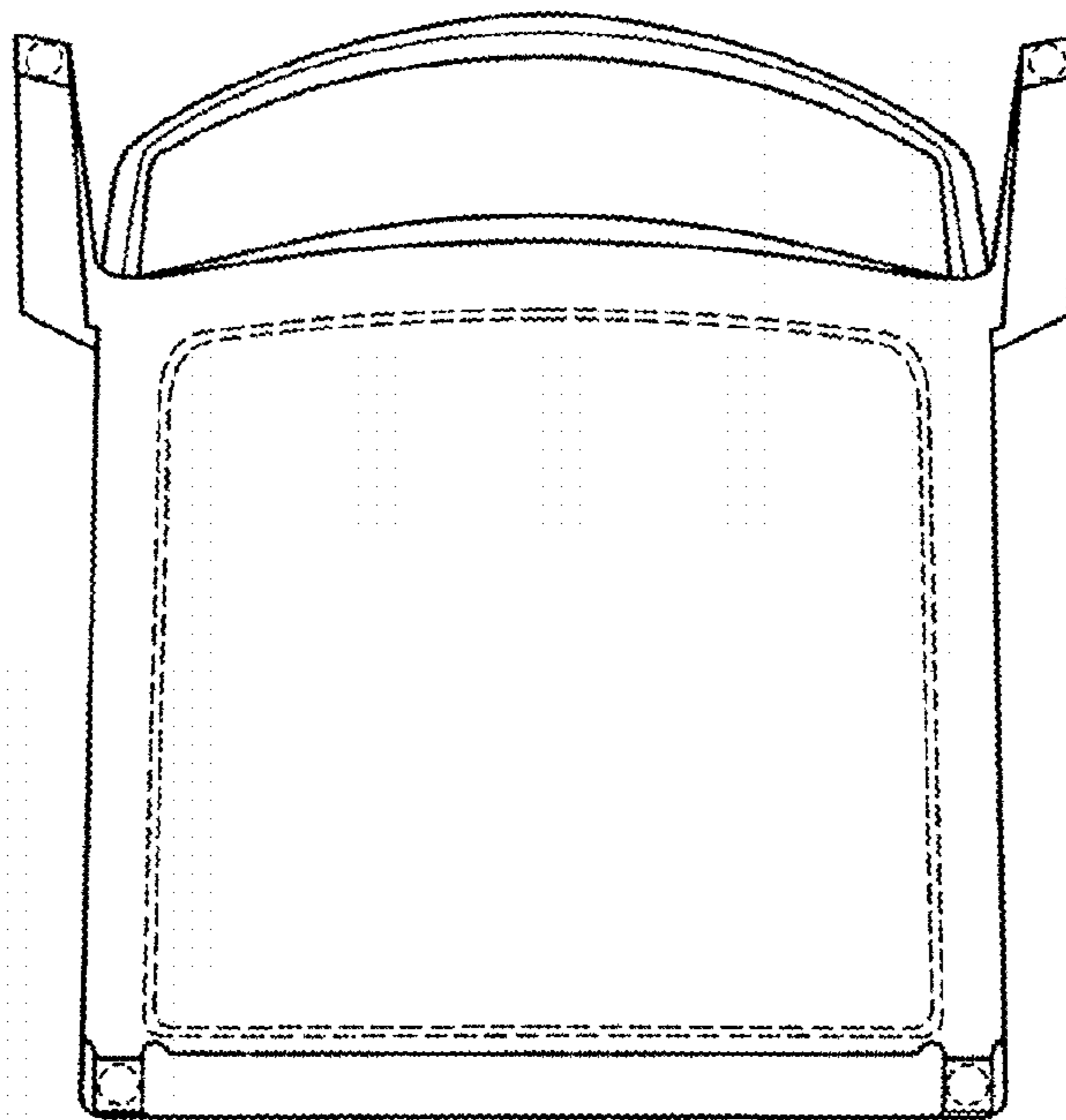


FIG. 7