



US00D762998S

(12) **United States Design Patent**
Warren

(10) **Patent No.:** **US D762,998 S**
(45) **Date of Patent:** **** Aug. 9, 2016**

- (54) **SOFA**
- (71) Applicant: **Jim H. Warren**, Brandon, MS (US)
- (72) Inventor: **Jim H. Warren**, Brandon, MS (US)
- (73) Assignee: **DURFOLD CORPORATION**, Jackson, MS (US)
- (**) Term: **15 Years**
- (21) Appl. No.: **29/545,259**
- (22) Filed: **Nov. 11, 2015**

Related U.S. Application Data

- (63) Continuation-in-part of application No. 29/525,136, filed on Apr. 27, 2015.
- (51) **LOC (10) Cl.** **06-01**
- (52) **U.S. Cl.**
USPC **D6/371**
- (58) **Field of Classification Search**
USPC D6/334–336, 371, 373, 374, 375, 381,
D6/716, 716.1, 716.2, 716.3, 716.4
CPC A47C 4/028; A47C 17/00; A47C 17/02;
A47C 17/04; A47C 7/18; A47C 7/021;
A47C 7/024
See application file for complete search history.

(56) **References Cited**

U.S. PATENT DOCUMENTS

- 3,857,120 A * 12/1974 Acker A47C 4/028
297/440.2
- D234,731 S * 4/1975 McDonald D6/371

- 4,292,698 A * 10/1981 Acker A47C 17/00
297/216.13
- D498,074 S * 11/2004 Gomez D6/381
- D515,334 S * 2/2006 Natuzzi D6/381
- D583,585 S * 12/2008 Weiss D6/381
- D591,970 S * 5/2009 Weiss D6/381

(Continued)

Primary Examiner — Mimoso De

(74) *Attorney, Agent, or Firm* — Jason P. Mueller; Adams and Reese LLP

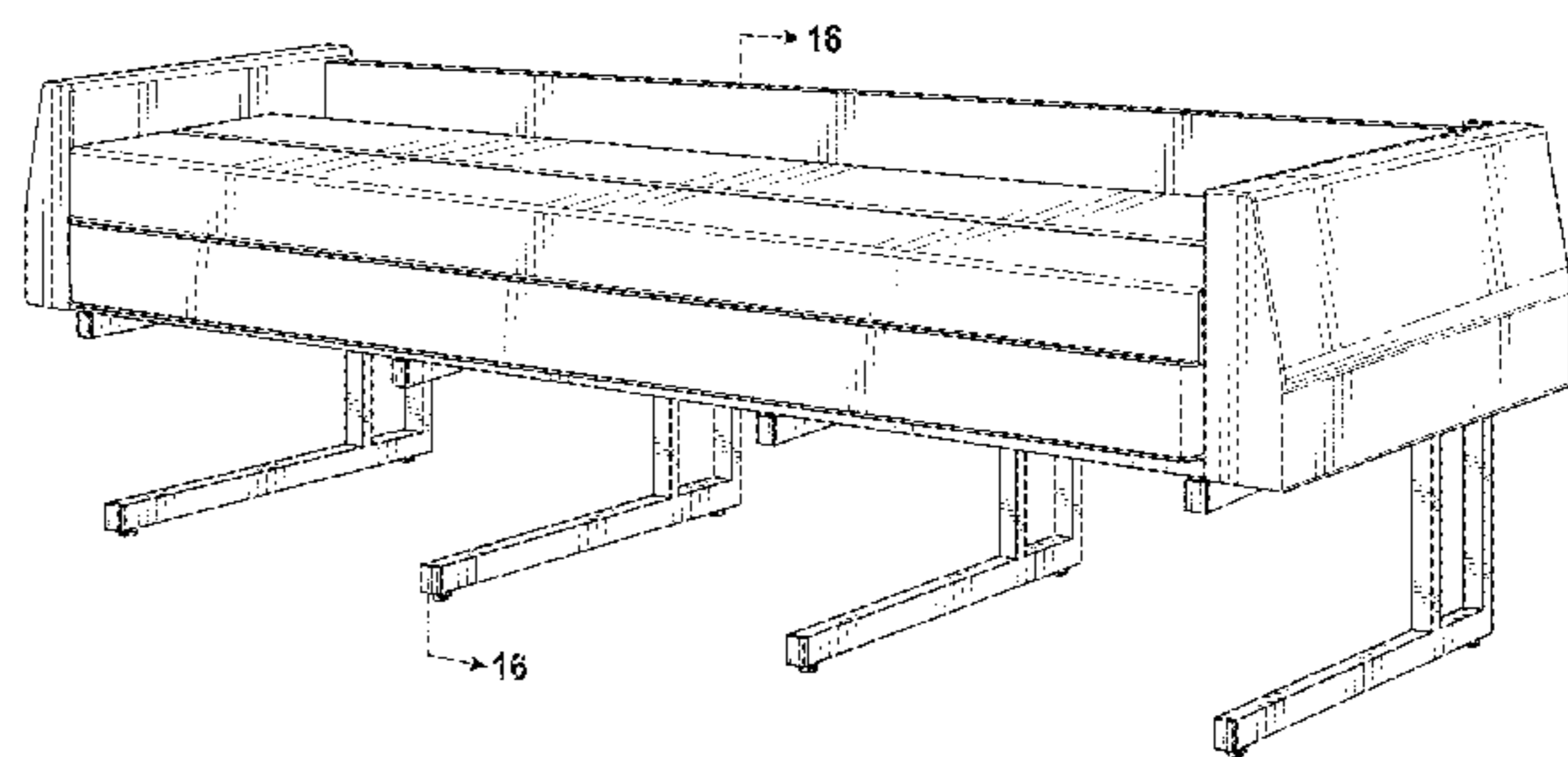
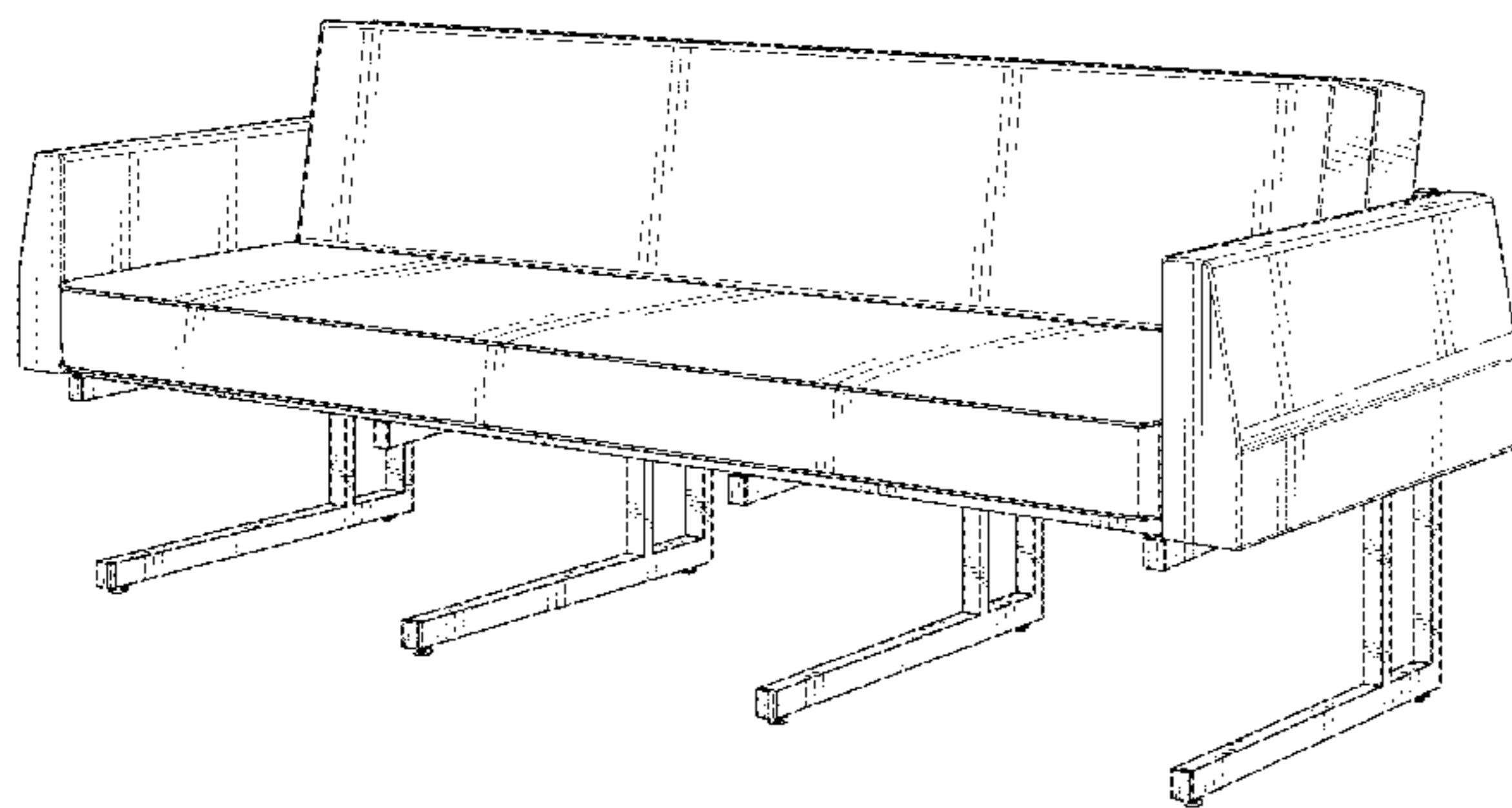
(57) **CLAIM**

The ornamental design for a sofa, as shown and described.

DESCRIPTION

FIG. 1 is an isometric view of a sofa of a first embodiment. FIG. 2 is a front view of the sofa shown in FIG. 1. FIG. 3 is a back view of the sofa shown in FIG. 1. FIG. 4 is a side view of the sofa shown in FIG. 1. FIG. 5 is an opposite side view of the sofa shown in FIG. 1. FIG. 6 is a top view of the sofa shown in FIG. 1. FIG. 7 is a bottom view of the sofa shown in FIG. 1. FIG. 8 is an isometric view of a sofa of a second embodiment. FIG. 9 is an isometric view of the sofa shown in FIG. 8 in a flip position. FIG. 10 is a front view of the sofa shown in FIG. 8. FIG. 11 is a back view of the sofa shown in FIG. 8. FIG. 12 is a side view of the sofa shown in FIG. 8. FIG. 13 is an opposite side view of the sofa shown in FIG. 8. FIG. 14 is a top view of the sofa shown in FIG. 8. FIG. 15 is a bottom view of the sofa shown in FIG. 8; and, FIG. 16 is a cross-sectional side view of the sofa shown in FIG. 9.

1 Claim, 14 Drawing Sheets



US D762,998 S

Page 2

(56)

References Cited

U.S. PATENT DOCUMENTS

D603,617 S	*	11/2009	Weiss	D6/381	
D616,215 S	*	5/2010	Andersen	D6/381	
D617,571 S	*	6/2010	Andersen	D6/381	
D618,007 S	*	6/2010	Andersen	D6/381	
RE43,754 E	*	10/2012	Andersen	D6/381	
D681,366 S	*	5/2013	Kanthasamy	D6/381	
D718,069 S	*	11/2014	Marion	D6/381	
D730,076 S	*	5/2015	Lange	D6/381	

* cited by examiner

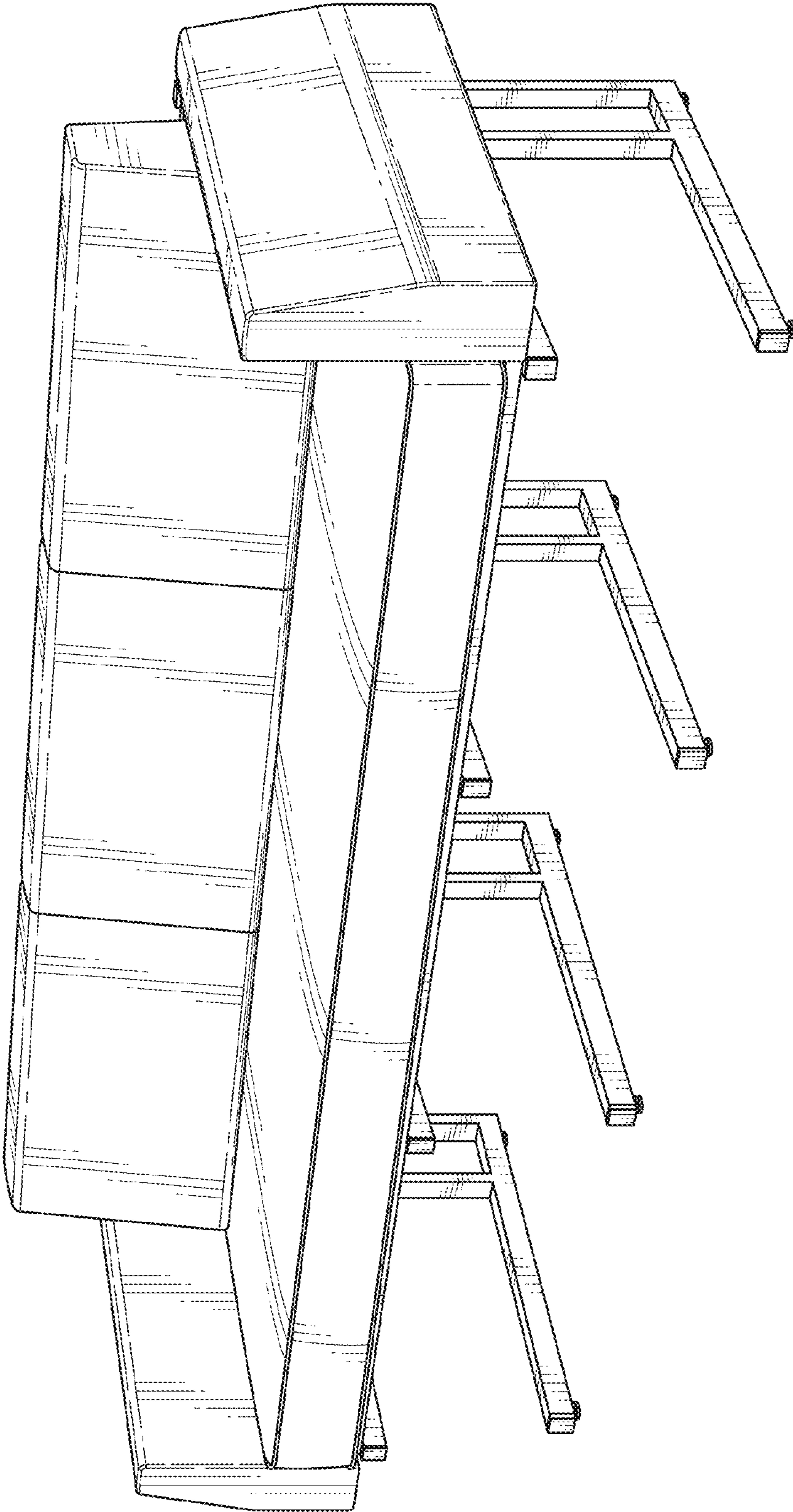


FIG. 1

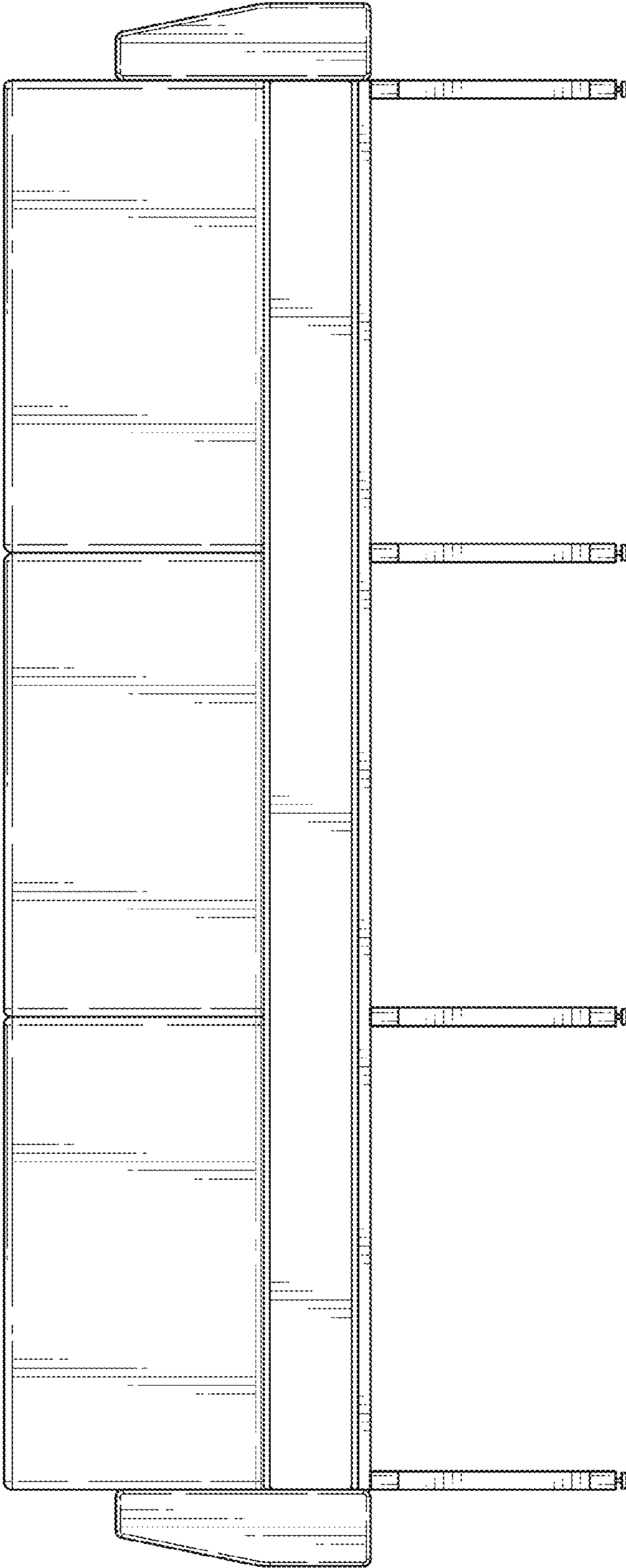


FIG. 2

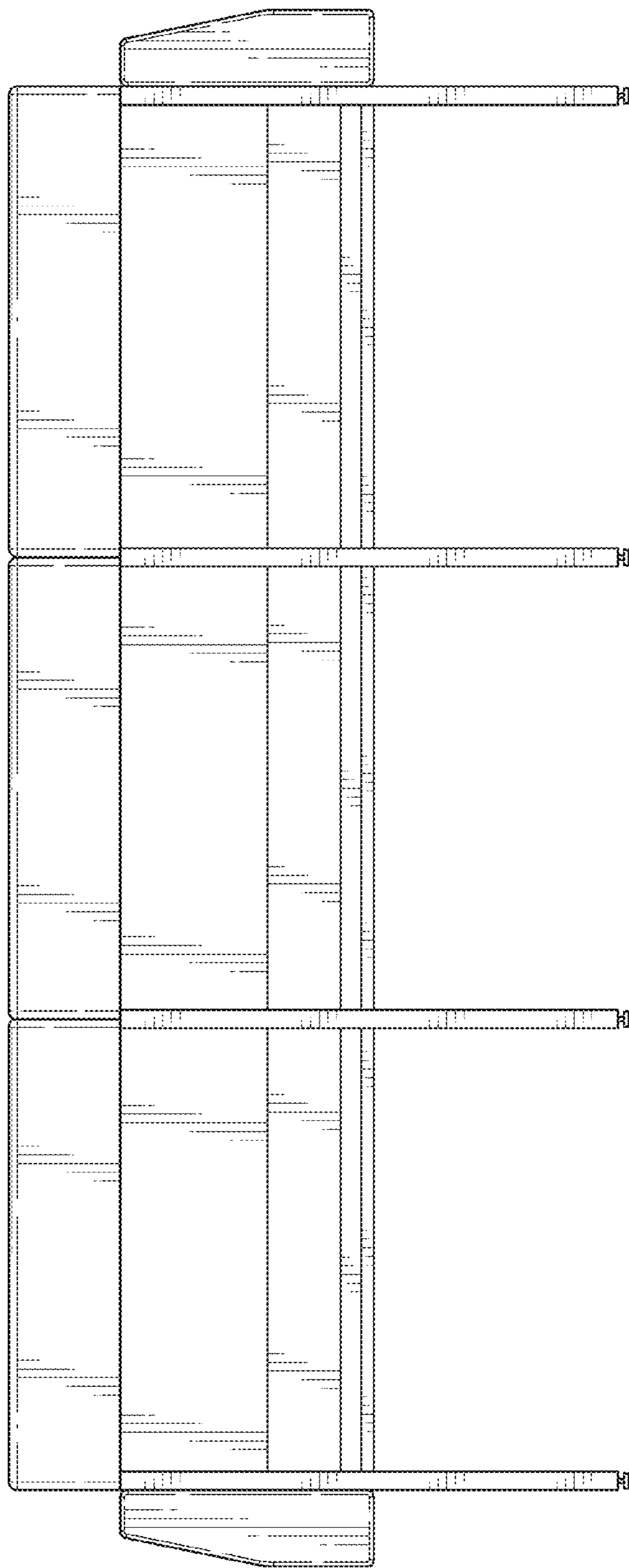


FIG. 3

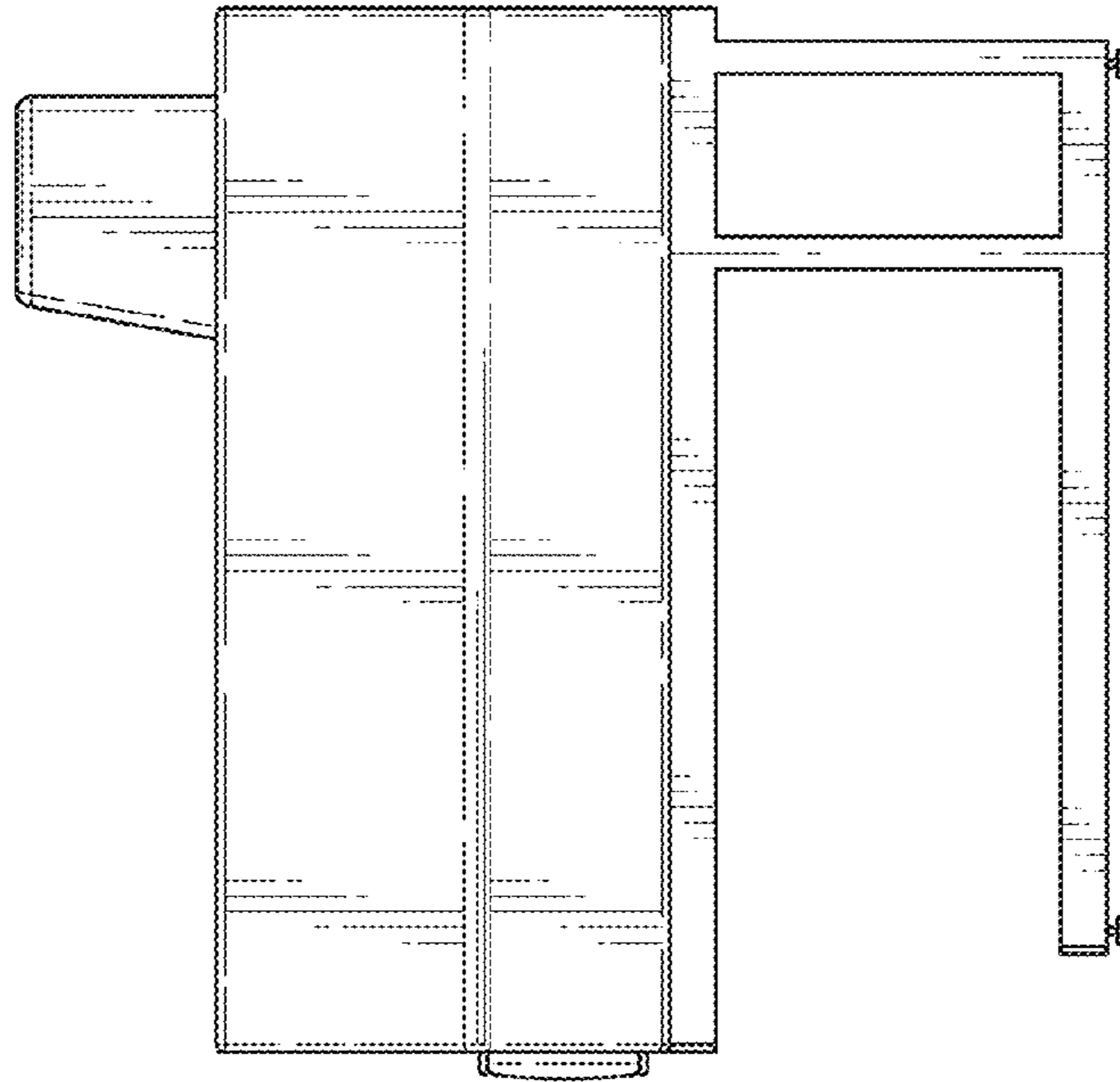


FIG. 5

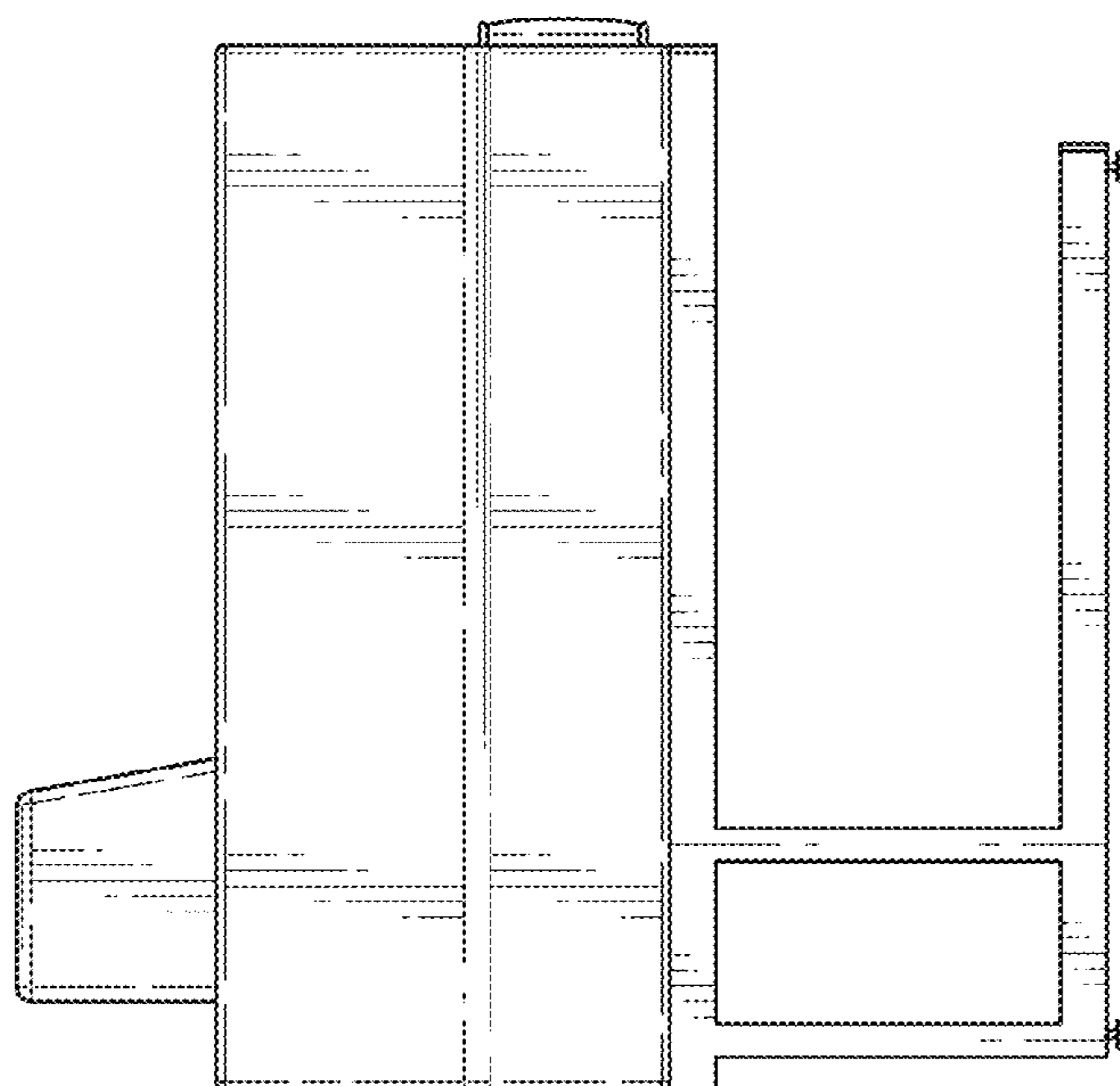


FIG. 4

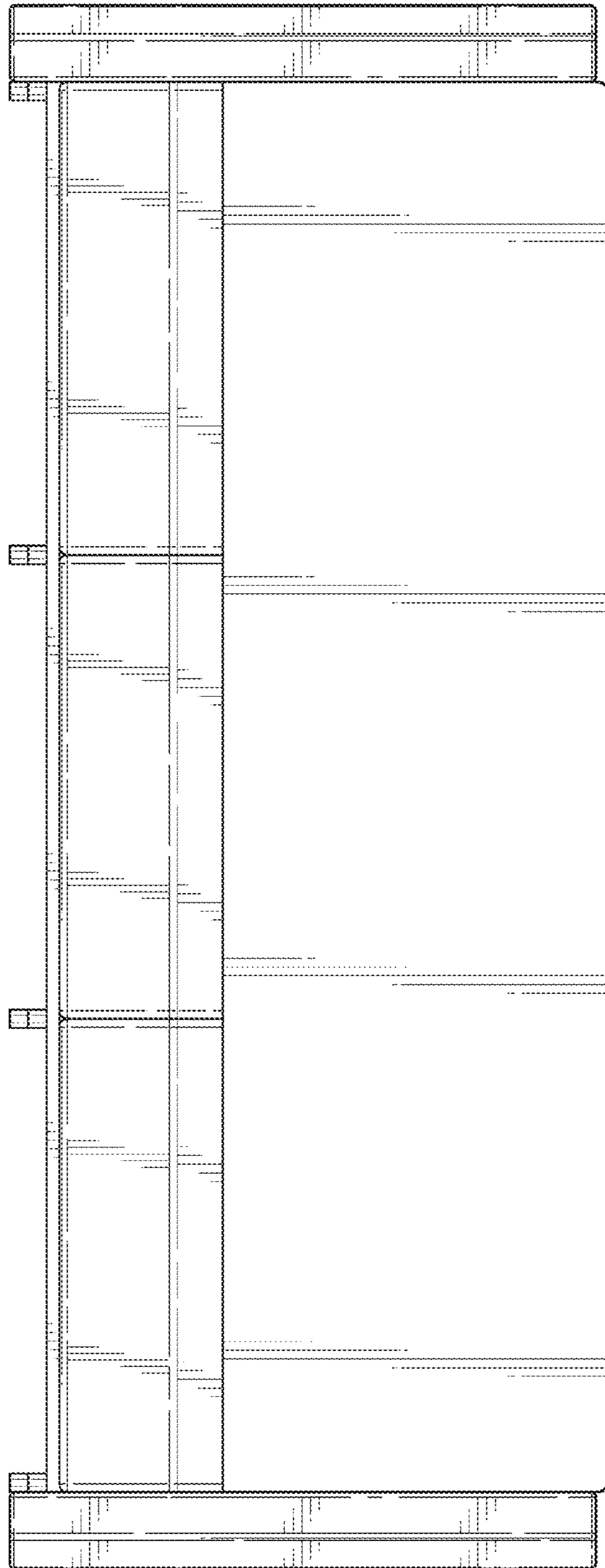


FIG. 6

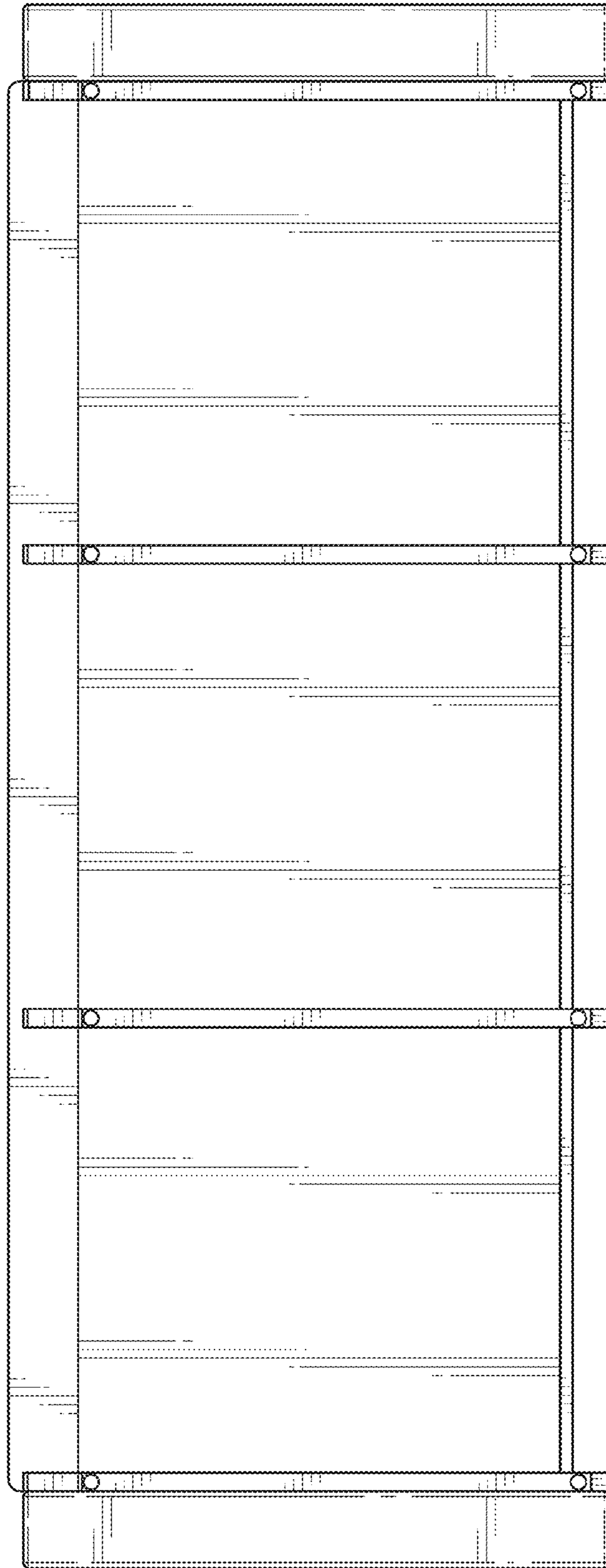


FIG. 7

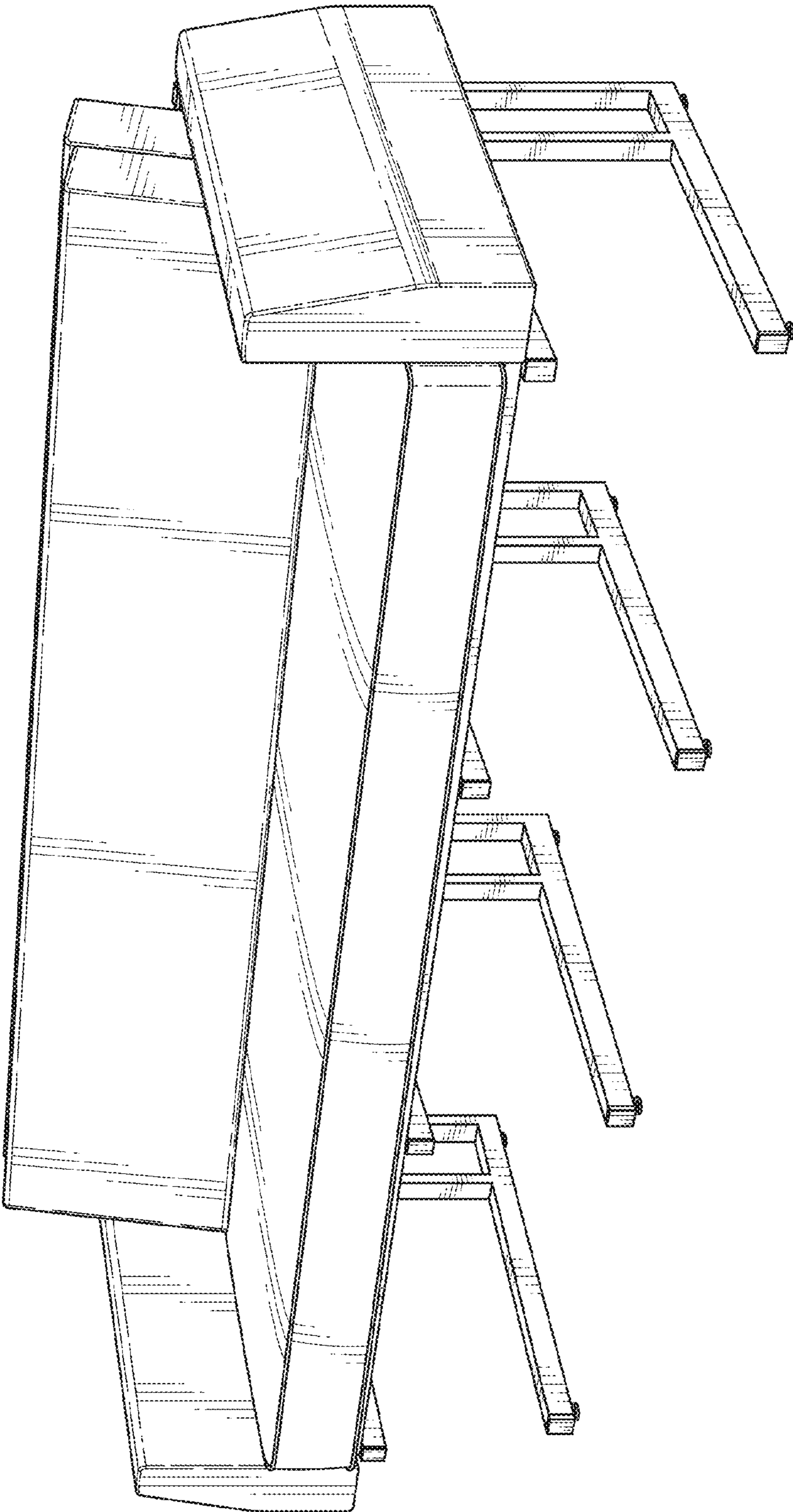


FIG. 8

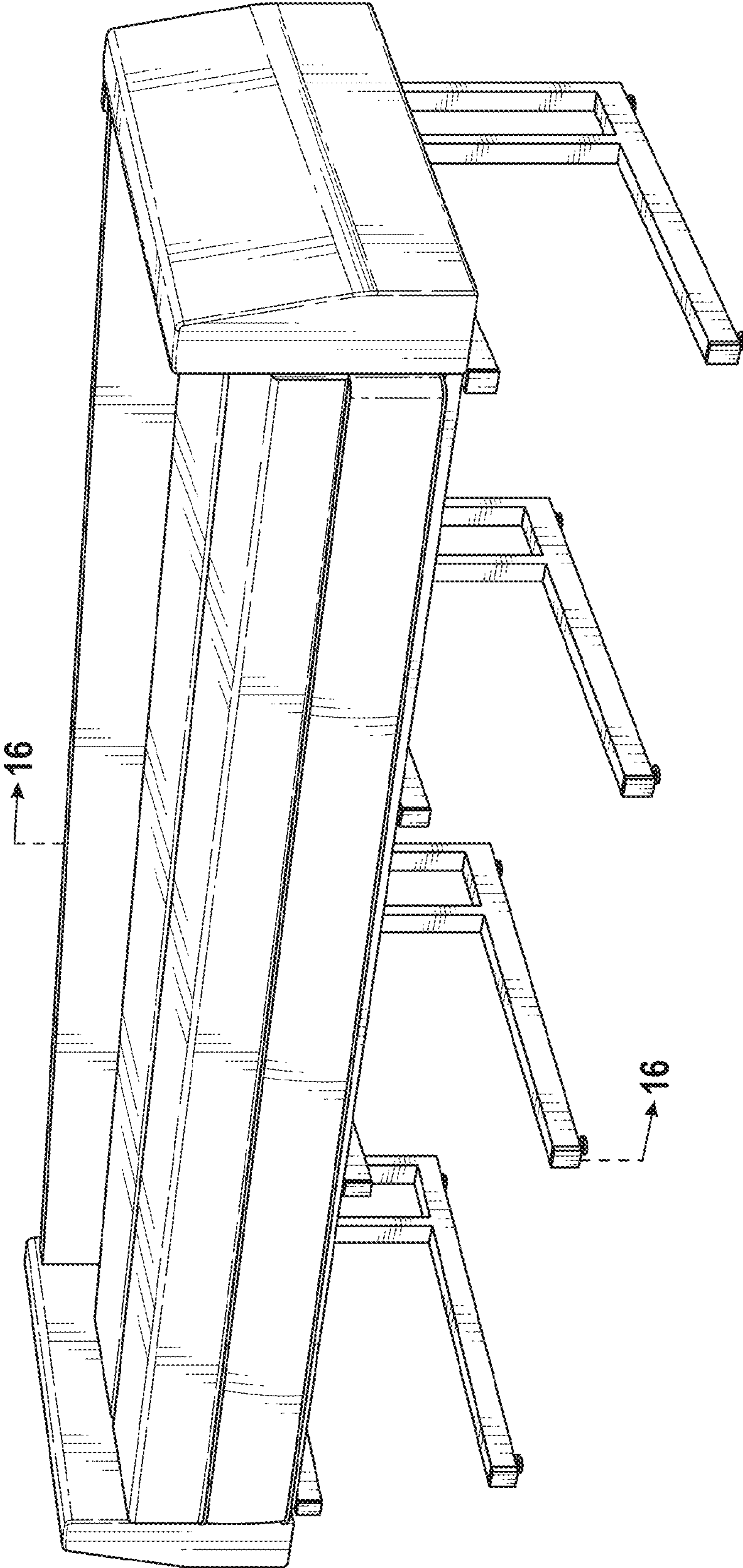


FIG. 9

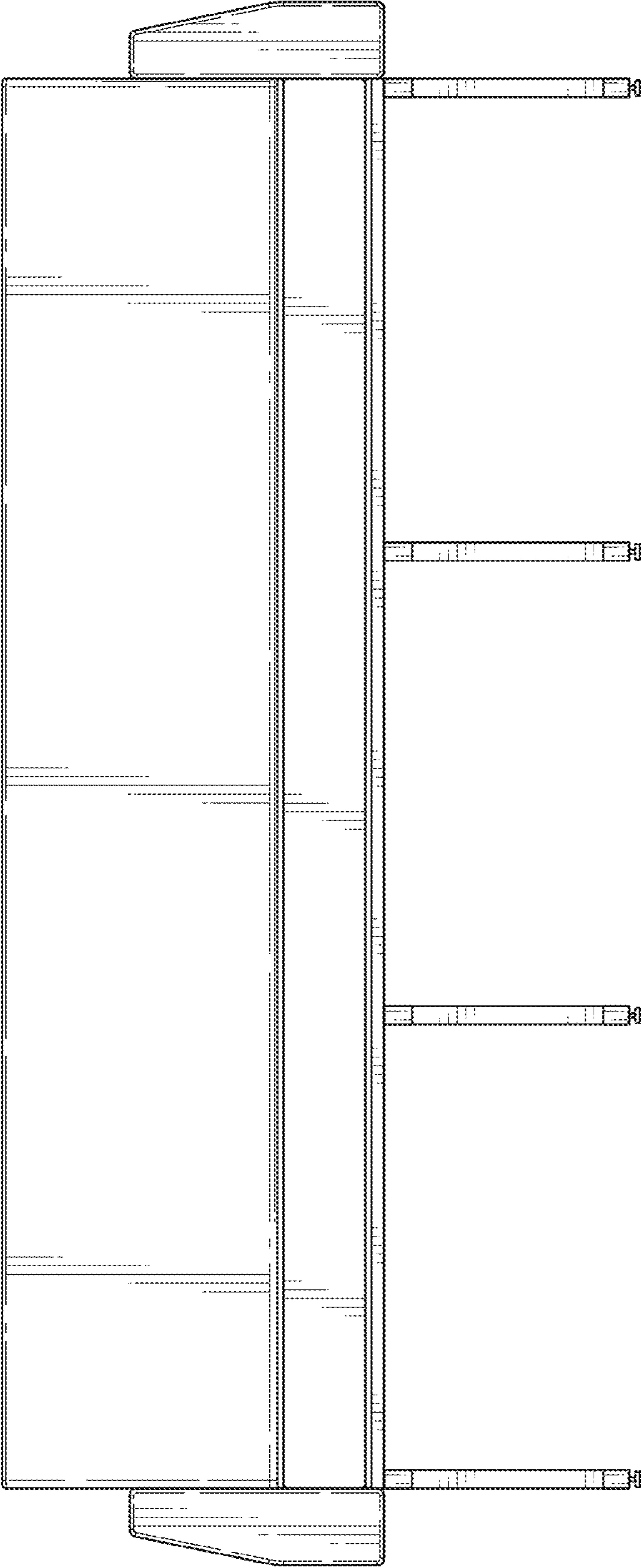


FIG. 10

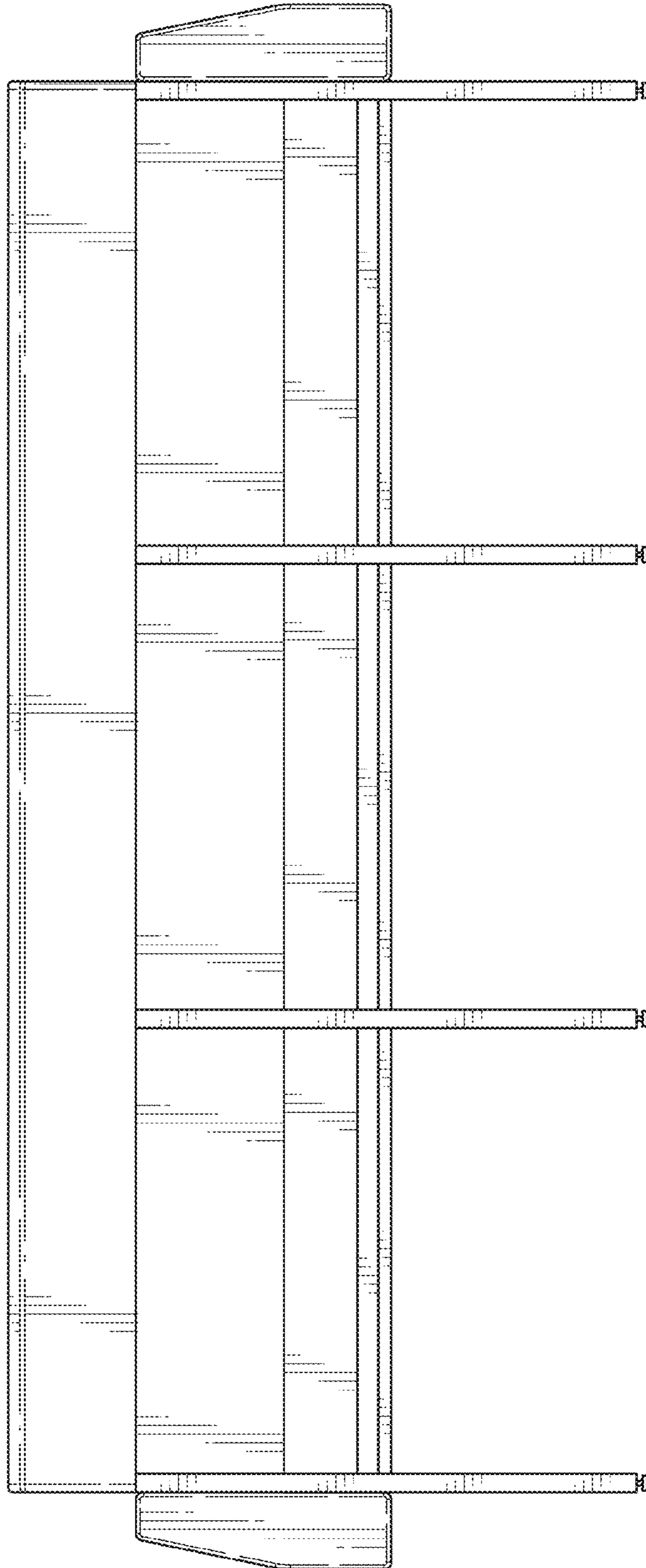


FIG. 11

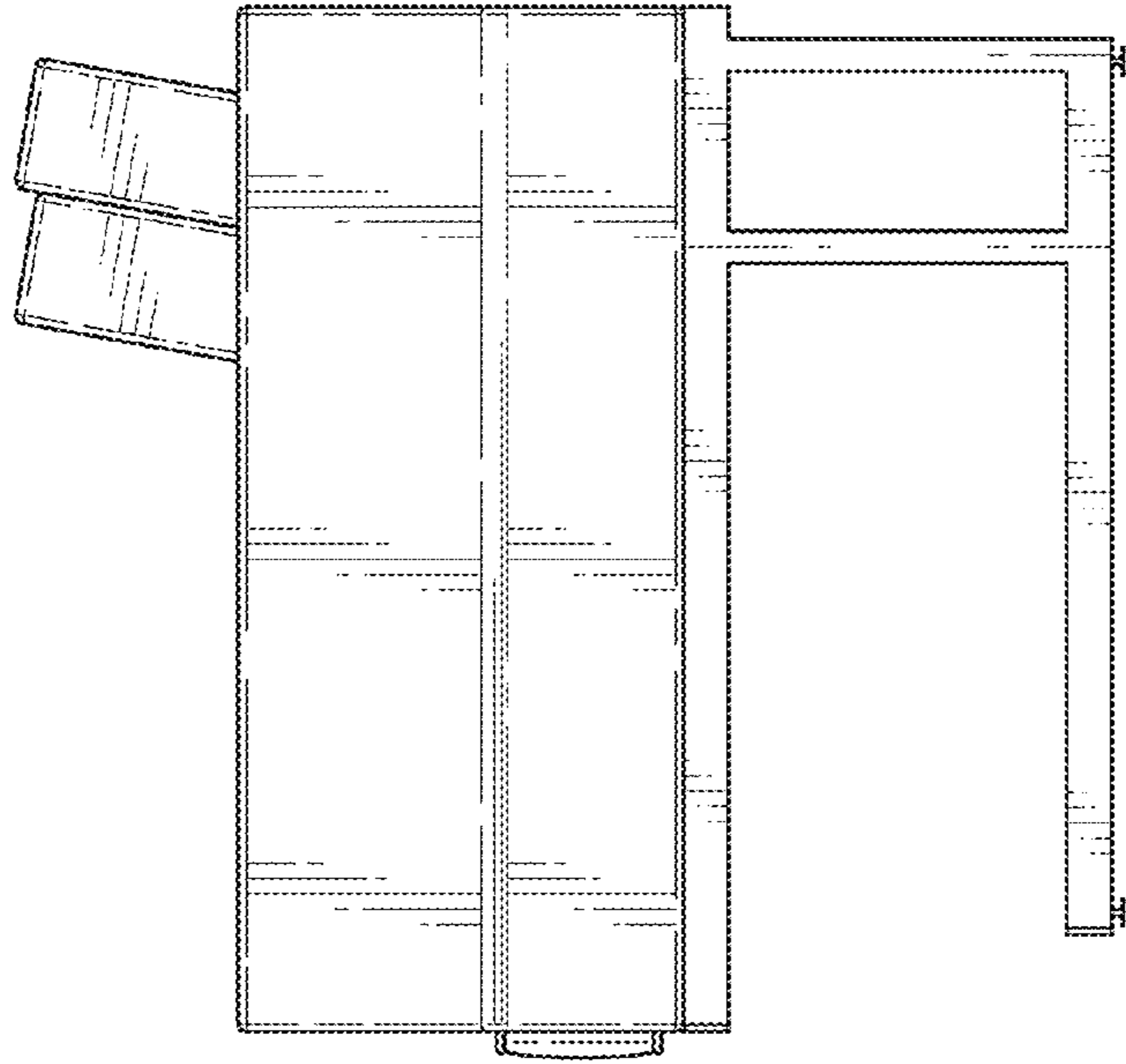


FIG. 12

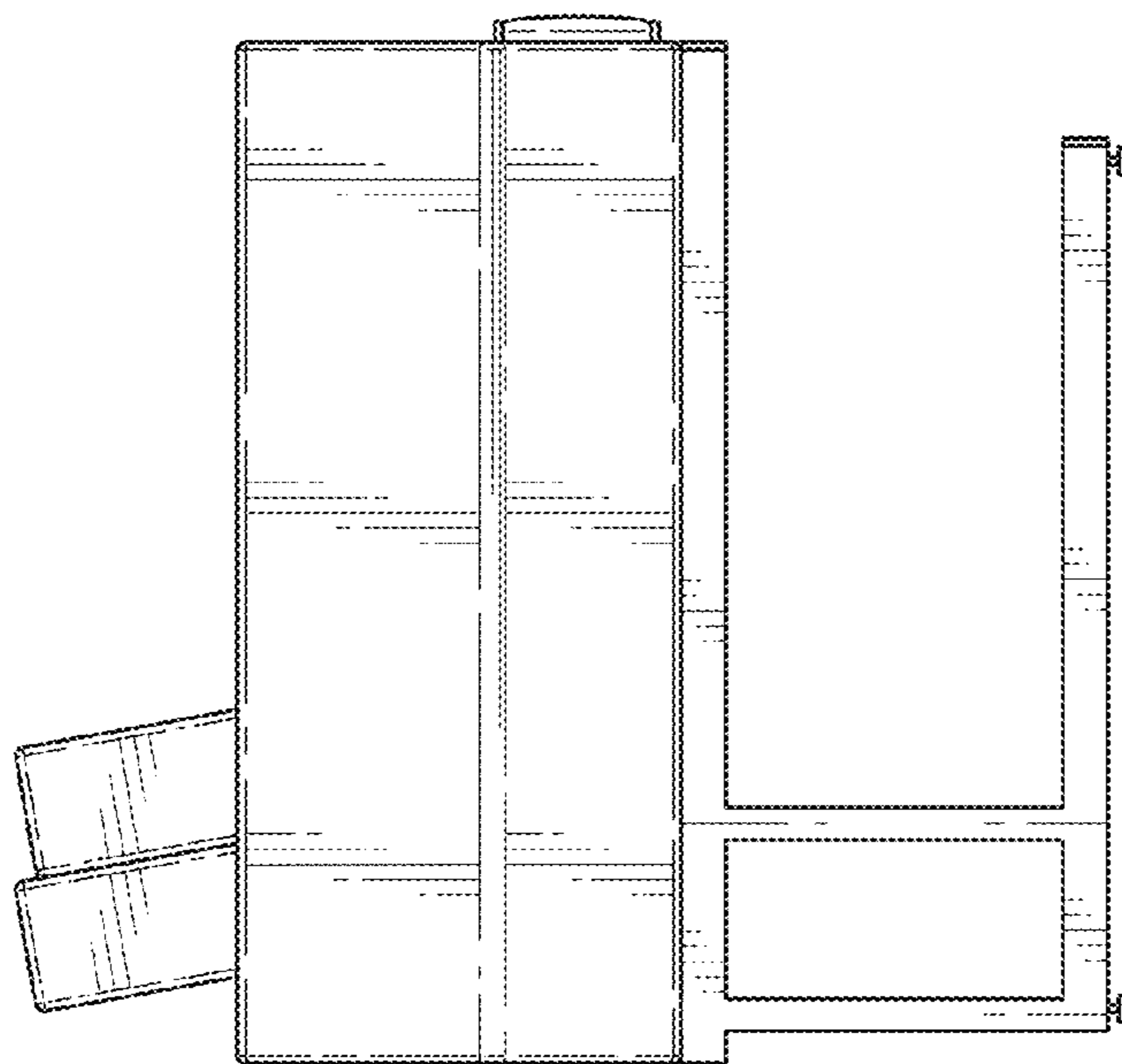


FIG. 13

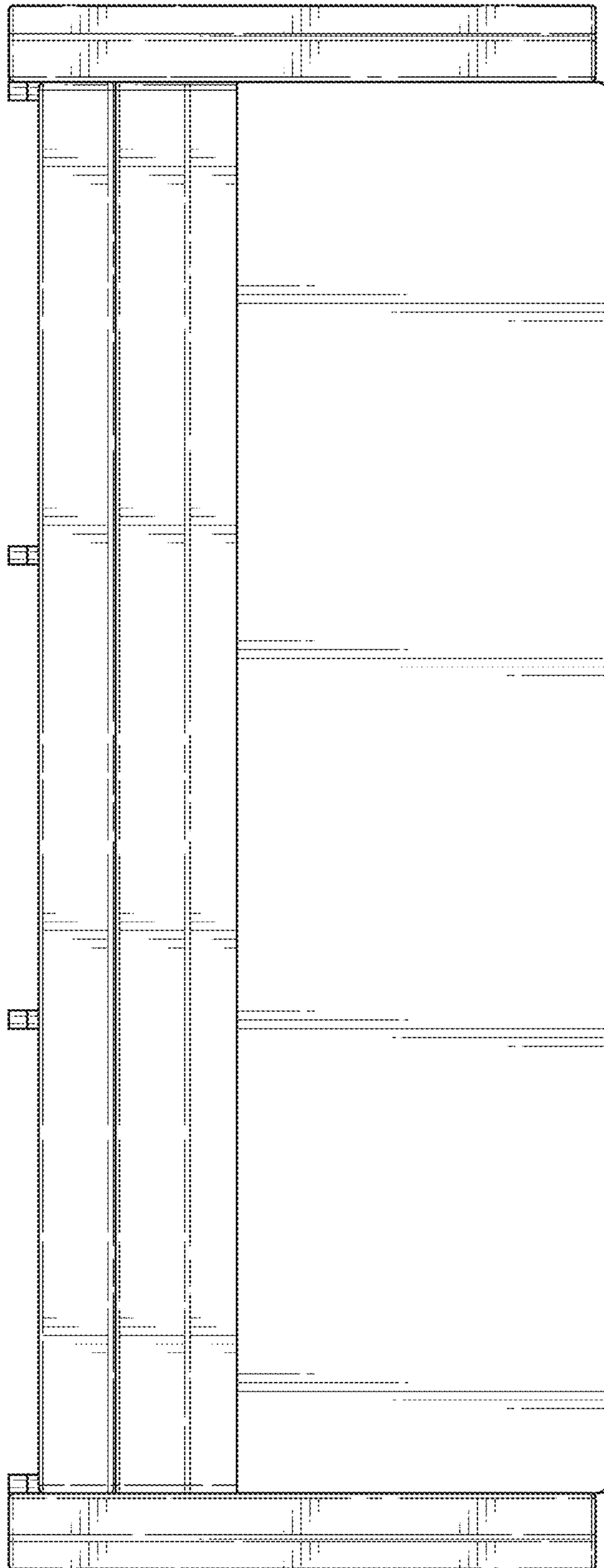


FIG. 14

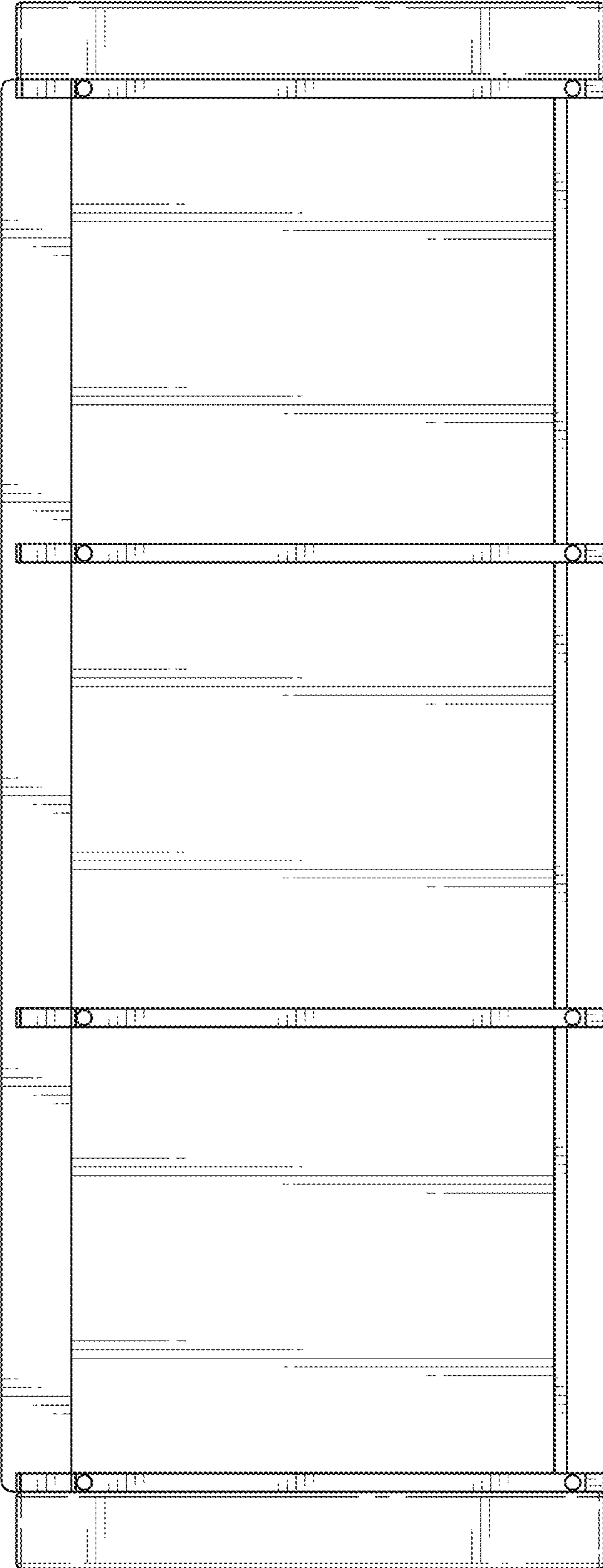


FIG. 15

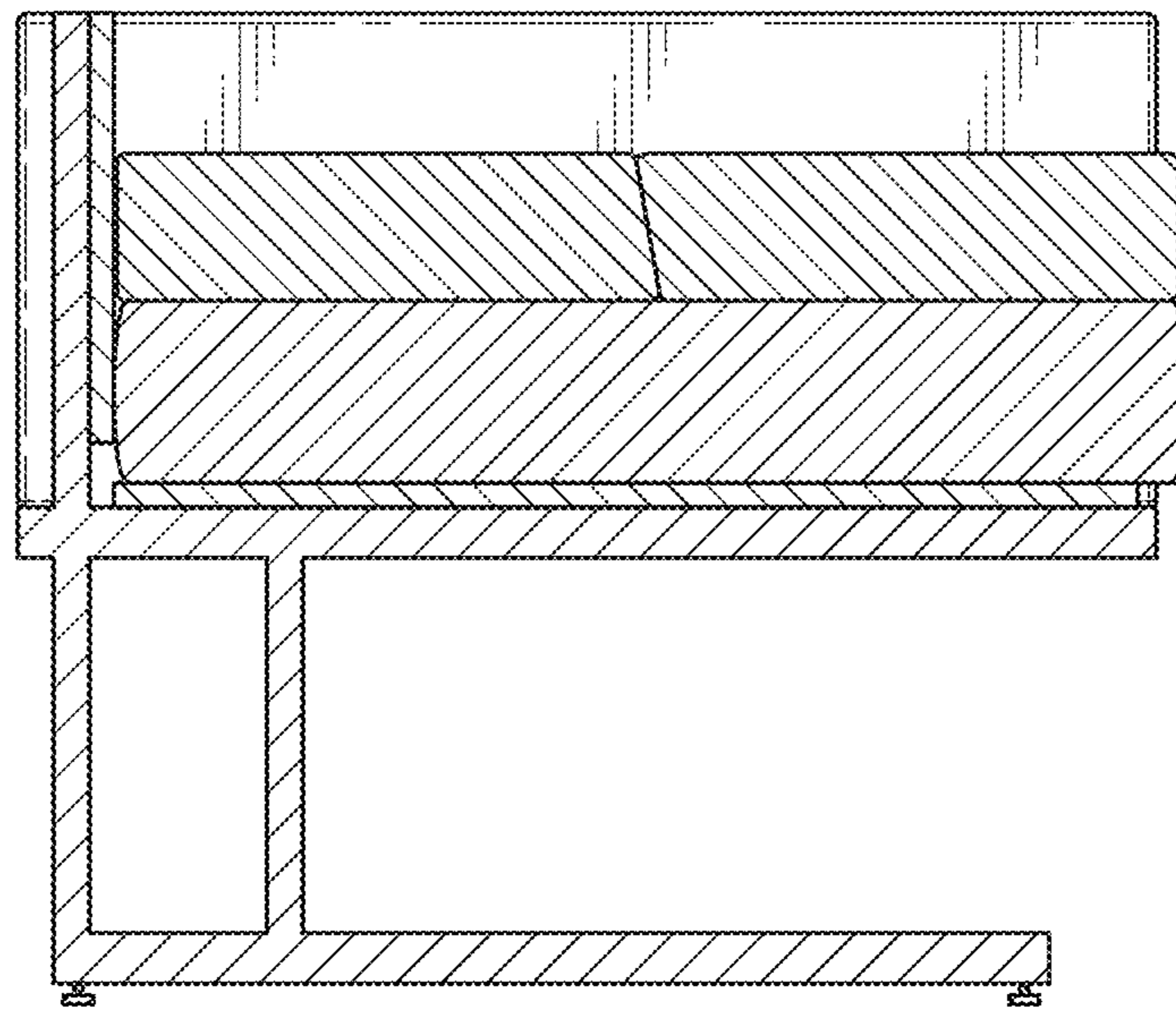


FIG. 16