



US00D762996S

(12) **United States Design Patent**
Fancelli

(10) **Patent No.:** **US D762,996 S**

(45) **Date of Patent:** **** Aug. 9, 2016**

(54) **OFFICE CHAIR**

(71) Applicant: **STOLL GIROFLEX AG**, Koblenz (CH)

(72) Inventor: **Paolo Fancelli**, Bellinzona (CH)

(73) Assignee: **STOLL GIROFLEX AG**, Koblenz (CH)

(**) Term: **14 Years**

(21) Appl. No.: **29/502,689**

(22) Filed: **Sep. 18, 2014**

(30) **Foreign Application Priority Data**

Mar. 24, 2014 (WO) 802434501

(51) **LOC (10) Cl.** **06-01**

(52) **U.S. Cl.**
USPC **D6/366**

(58) **Field of Classification Search**
USPC D6/334–336, 364, 365, 366, 374, 379,
D6/380, 716, 716.1, 716.2, 716.4
CPC A47C 7/38; A47C 7/022; A47C 7/40;
A47C 7/18; A47C 7/004; A47C 4/028;
A47C 7/54
See application file for complete search history.

(56) **References Cited**

U.S. PATENT DOCUMENTS

D573,817 S * 7/2008 Su D6/366
D574,645 S * 8/2008 Christensen D6/366

D594,257 S * 6/2009 Christensen D6/366
D641,576 S * 7/2011 Giugiaro D6/366
D673,384 S * 1/2013 Yang D6/366
D675,463 S * 2/2013 Collinson D6/366
D695,537 S * 12/2013 Geelen D6/366
D702,977 S * 4/2014 Bonneywell D6/366
D727,075 S * 4/2015 Usumoto D6/366
D727,076 S * 4/2015 Usumoto D6/366

* cited by examiner

Primary Examiner — Mimoso De

(74) *Attorney, Agent, or Firm* — Greenblum & Bernstein, P.L.C.

(57) **CLAIM**

I claim the ornamental design for an office chair, as shown and described.

DESCRIPTION

FIG. 1 is a perspective view of the office chair;
FIG. 2 is a front view of FIG. 1;
FIG. 3 is a right side view of FIG. 1;
FIG. 4 is a rear view of FIG. 1;
FIG. 5 is a left side view of FIG. 1;
FIG. 6 is a top view of FIG. 1; and,
FIG. 7 is a bottom view of FIG. 1.
Any surfaces of the design not shown, including interior surfaces and any surfaces shown in broken lines, form no part of the claimed invention.

1 Claim, 7 Drawing Sheets

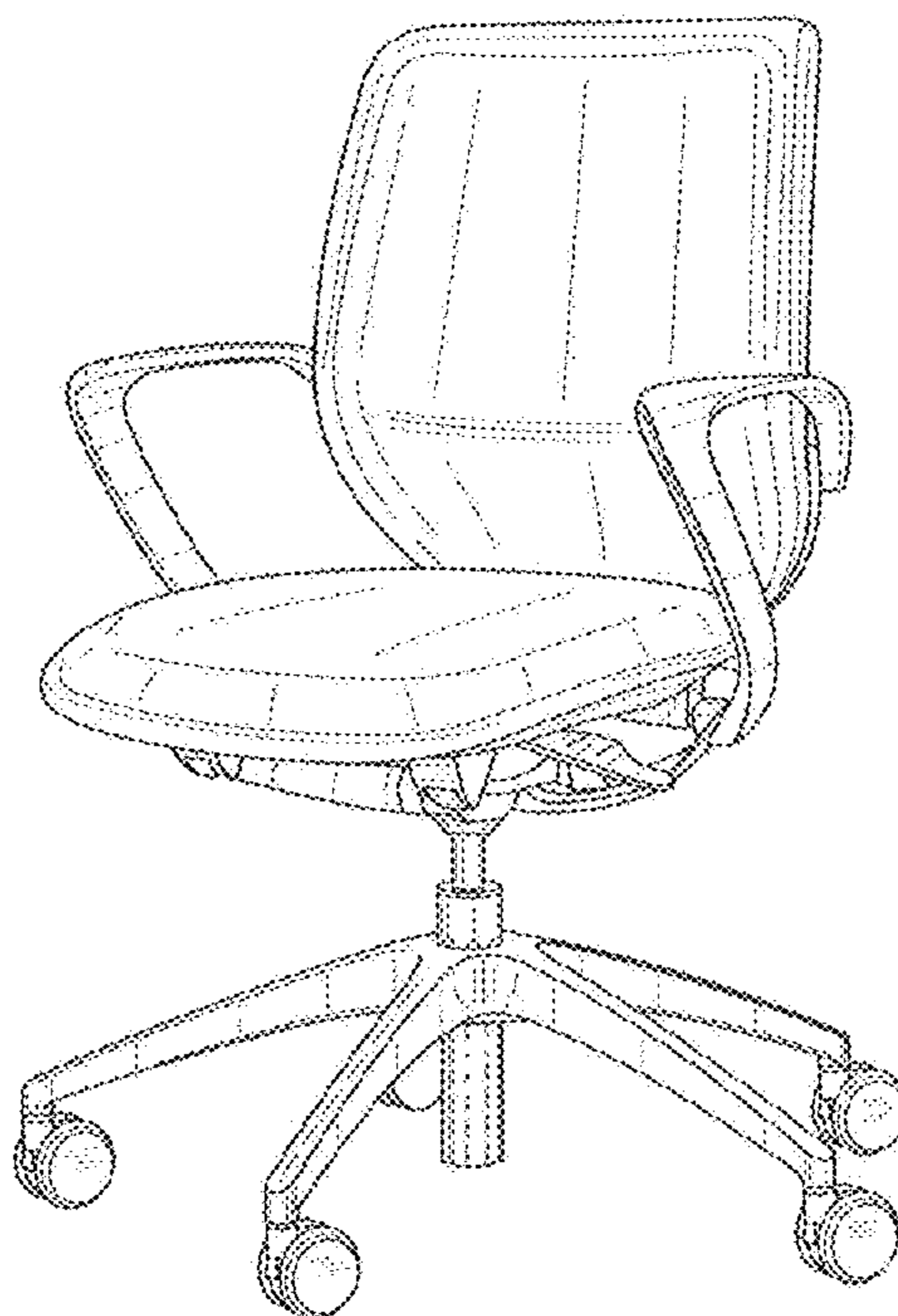




FIG. 1

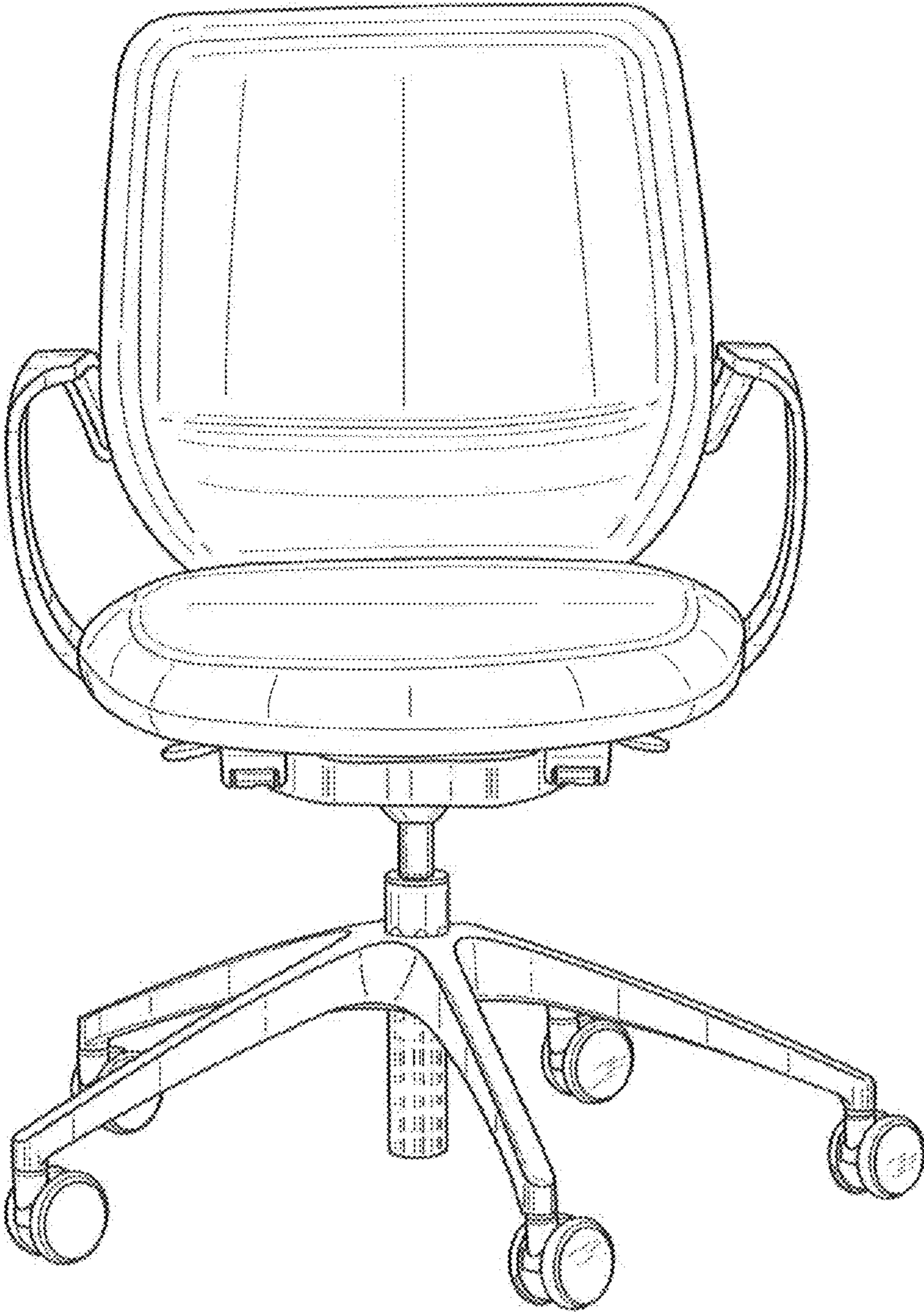


FIG. 2



FIG. 3

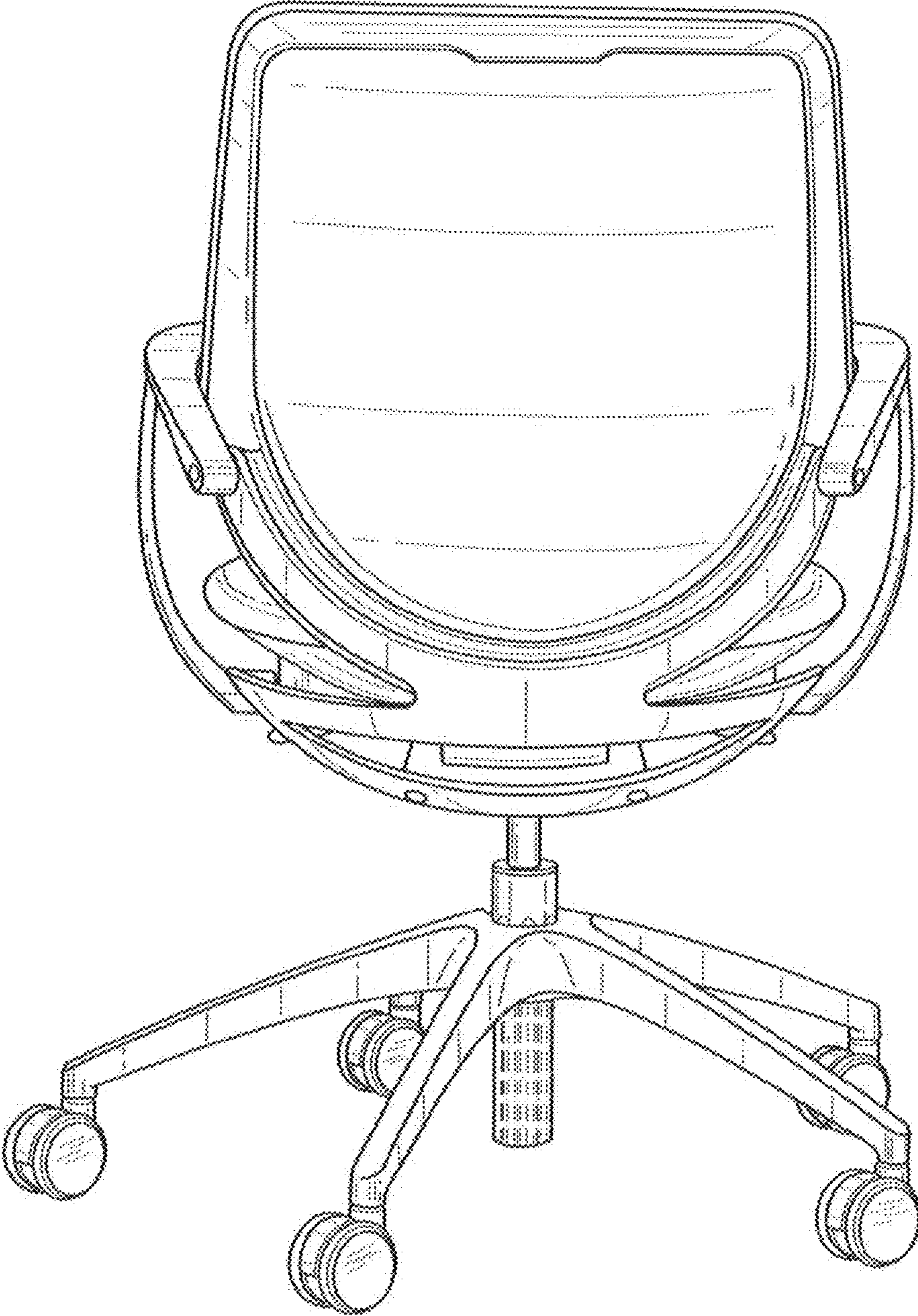


FIG. 4

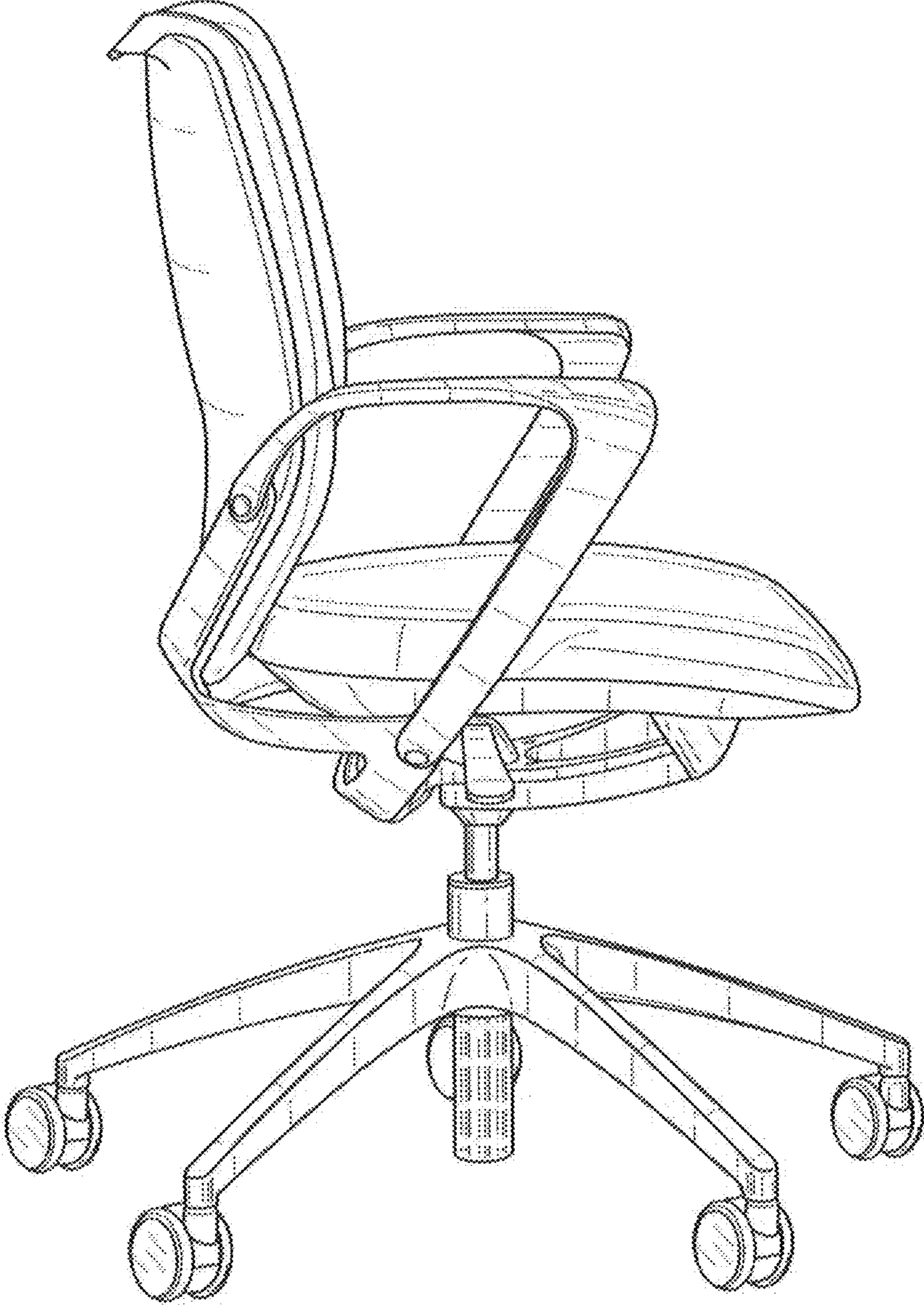


FIG. 5

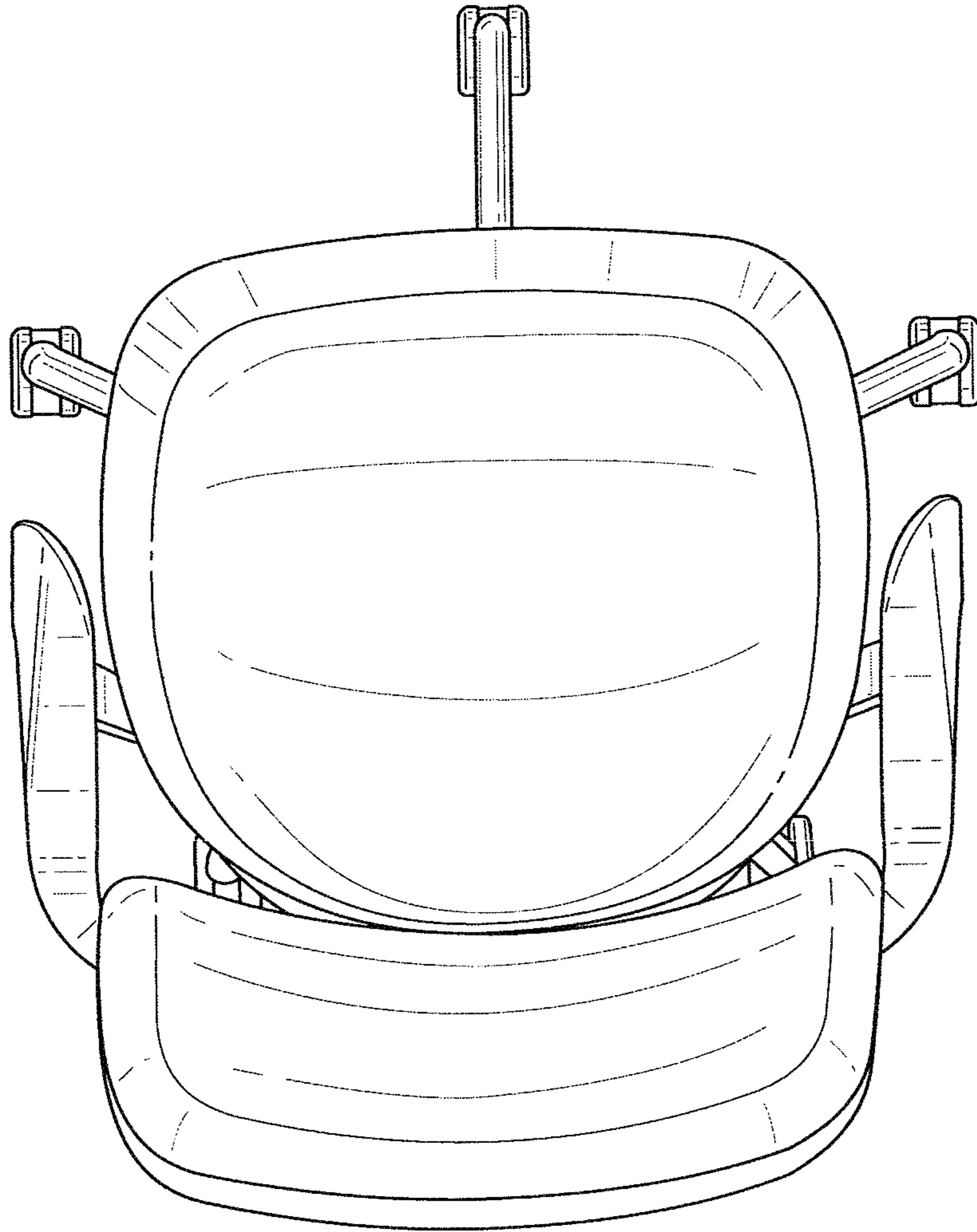


FIG. 6

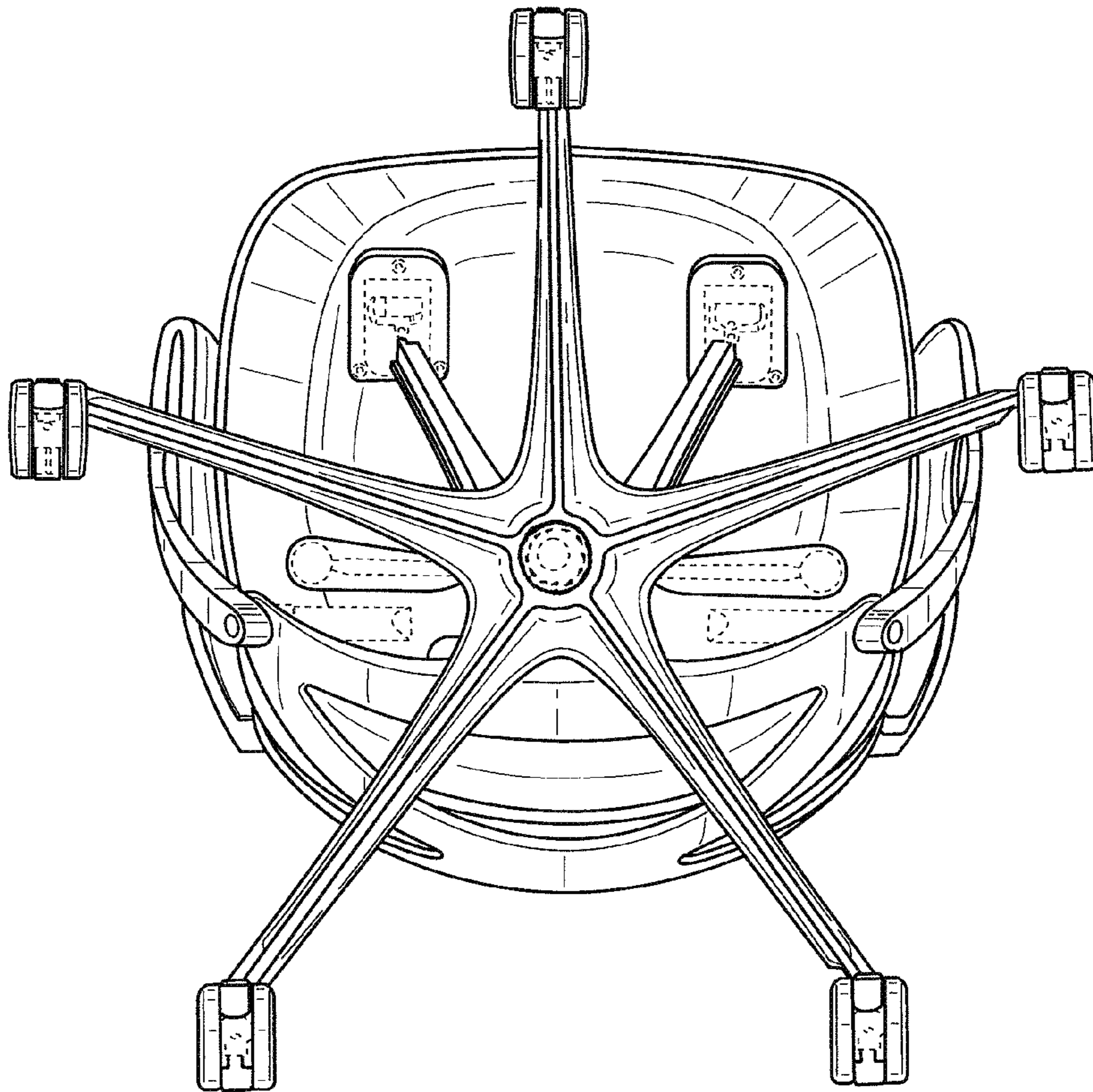


FIG. 7