

US00D762995S

(12) **United States Design Patent**
Galati, Jr. et al.

(10) **Patent No.:** **US D762,995 S**
(45) **Date of Patent:** **** Aug. 9, 2016**

(54) **PEDICURE FOOT SPA**

FOREIGN PATENT DOCUMENTS

(71) Applicant: **Continuum Footspas, LLC**, New Berlin, WI (US)

CN 34417548 2/2005
CN 302384546 4/2013

(72) Inventors: **Joseph J. Galati, Jr.**, Brookfield, WI (US); **John Meyerovich**, Bal Harbour, FL (US)

OTHER PUBLICATIONS

AmeriSpa web pages, printed in 2007, 6 pages (<http://www.amerispa.com/main.html>).

(73) Assignee: **Continuum Footspas, LLC**, Brookfield, WI (US)

(Continued)

(**) Term: **15 Years**

Primary Examiner — Sandra Snapp

(74) *Attorney, Agent, or Firm* — Ryan Kromholz & Manion, S.C.

(21) Appl. No.: **29/535,308**

(57) **CLAIM**

The ornamental design for a pedicure foot spa, as shown and described.

(22) Filed: **Aug. 5, 2015**

(51) **LOC (10) Cl.** **06-01**

(52) **U.S. Cl.**
USPC **D6/336**

DESCRIPTION

(58) **Field of Classification Search**
USPC D6/334, 335, 336, 338, 349, 355, 381, D6/716, 716.1; 297/118, 119, 135, 144, 297/232, 445.1, 448.1, 452.18, 156, 175, 297/216.1; 5/12.1, 12.2; D24/204
CPC A47C 1/02; A47C 1/12; A47C 11/00; A47C 17/00; A47C 17/02; A47C 4/52; A47C 9/00

FIG. 1 is a front perspective view of a first embodiment of our invention;
FIG. 2 is a rear perspective view;
FIG. 3 is a right side elevation view;
FIG. 4 is a left side elevation view;
FIG. 5 is a top plan view;
FIG. 6 is a bottom plan view;
FIG. 7 a front elevation view;
FIG. 8 is a rear elevation view;
FIG. 9 is a front perspective view of a second embodiment of our invention;
FIG. 10 is a rear perspective view;
FIG. 11 is a right side elevation view;
FIG. 12 is a left side elevation view;
FIG. 13 is a top plan view;
FIG. 14 is a bottom plan view;
FIG. 15 is a front elevation view; and,
FIG. 16 is a rear elevation view.
The broken lines in the drawings illustrate features that form no part of the claim.

See application file for complete search history.

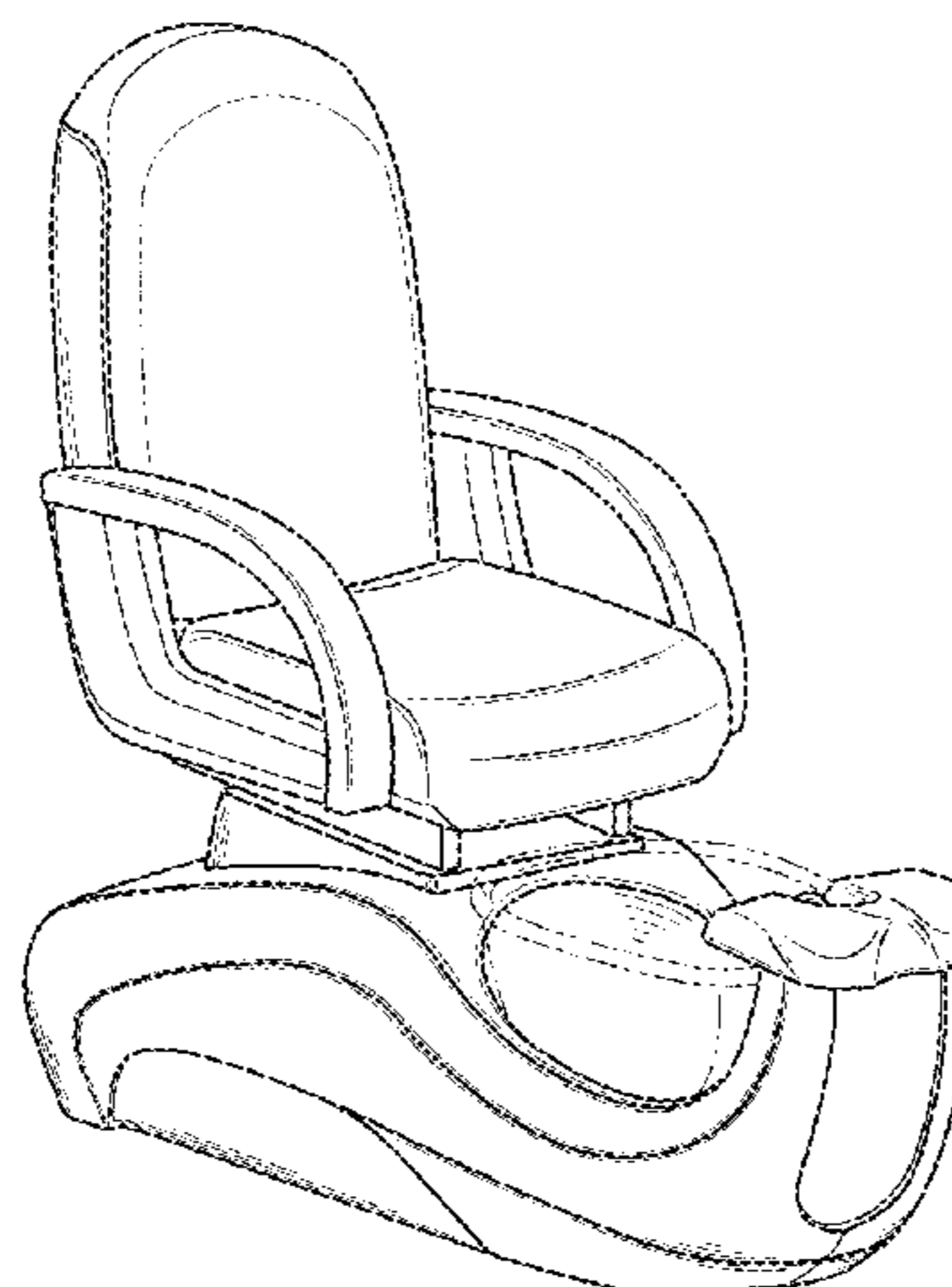
(56) **References Cited**

U.S. PATENT DOCUMENTS

1,021,346 A 3/1912 Wilson
1,362,692 A 12/1920 Golstein
2,248,369 A 7/1941 Luderson
2,473,947 A 6/1949 Hamstrom
D166,402 S 4/1952 Manna et al.
D167,675 S 9/1952 Chancellor
3,155,092 A 11/1964 McNair
3,633,967 A 1/1972 Timmins
D227,952 S 7/1973 Costabile

(Continued)

1 Claim, 6 Drawing Sheets



(56)

References Cited

U.S. PATENT DOCUMENTS

3,881,471 A 5/1975 Grube
 4,238,097 A 12/1980 Clausen et al.
 D262,911 S 2/1982 Weddell
 4,497,313 A 2/1985 Kurosawa
 D282,609 S 2/1986 Stulik
 4,620,529 A 11/1986 Kurosawa
 D288,993 S 3/1987 Grimsrud
 4,767,160 A 8/1988 Mengshoel et al.
 4,994,648 A 2/1991 Gil
 5,044,357 A 9/1991 Johns
 D327,176 S 6/1992 Gil
 D339,012 S 9/1993 Sexton
 D346,043 S 4/1994 Galati, Jr. et al.
 D352,401 S 11/1994 Bonazza
 5,593,212 A 1/1997 Praria et al.
 D391,408 S 3/1998 Lee
 5,729,841 A 3/1998 Chan
 5,797,150 A 8/1998 Lanz
 D424,819 S 5/2000 Galati, Jr. et al.
 D429,380 S 8/2000 Fontier et al.
 D431,637 S 10/2000 Palmer
 D434,916 S 12/2000 Galati, Jr. et al.
 D435,371 S 12/2000 Galati, Jr. et al.
 6,230,345 B1 5/2001 Borrero et al.
 6,309,366 B1 10/2001 Maxwell
 D450,390 S 11/2001 Tran
 D454,705 S 3/2002 Long et al.
 D455,017 S 4/2002 Tran
 D457,018 S 5/2002 Park
 6,405,390 B2 6/2002 Kuen
 6,438,768 B1 8/2002 Yen
 6,503,212 B2* 1/2003 Park A61H 7/007
 601/101
 6,505,358 B2 1/2003 Ferber et al.
 D475,542 S 6/2003 Pfeiffer et al.
 D476,492 S 7/2003 Yamamoto et al.
 D479,919 S 9/2003 Genelli et al.
 6,698,038 B2 3/2004 Bastia et al.
 6,732,387 B1 5/2004 Waldron
 D498,599 S 11/2004 Luong
 D504,178 S 4/2005 Zolotnik
 6,874,184 B2 4/2005 Chandler
 6,880,182 B2 4/2005 Gruenwald
 D508,616 S 8/2005 Ziliani
 D509,371 S 9/2005 Natuzzi
 D526,505 S 8/2006 Gruenwald et al.
 7,089,608 B2 8/2006 Erb
 7,100,220 B2 9/2006 Lev et al.
 D531,420 S 11/2006 Kita
 7,168,107 B2 1/2007 Gruenwald
 D539,044 S 3/2007 Solheim
 D540,573 S 4/2007 Smith
 D541,060 S 4/2007 Fugate et al.
 7,228,579 B2 6/2007 Tidwell
 D548,987 S 8/2007 McNae
 D549,999 S 9/2007 Fugate et al.
 D558,468 S 1/2008 Lade
 D558,469 S 1/2008 Lade
 D559,570 S 1/2008 Higgs et al.
 7,322,949 B2 1/2008 Shimizu
 D562,575 S 2/2008 Le
 D565,739 S 4/2008 Tran
 D568,485 S 5/2008 Ton
 D569,135 S 5/2008 Galati et al.
 D569,137 S 5/2008 Galati et al.
 D569,986 S 5/2008 Ton
 D571,018 S 6/2008 Ton et al.
 D571,972 S 6/2008 Galati, Jr. et al.
 D574,502 S 8/2008 Ton
 D576,806 S 9/2008 Le
 D576,807 S 9/2008 Le
 D583,957 S 12/2008 Bromilow
 D585,142 S 1/2009 Galati et al.
 7,490,374 B2 2/2009 Fugate et al.
 D588,707 S 3/2009 Mai et al.

D589,155 S 3/2009 Galati et al.
 D589,285 S 3/2009 Tran
 D592,312 S 5/2009 Cheng
 D596,417 S 7/2009 Bowen
 D598,120 S 8/2009 Mai et al.
 D601,359 S 10/2009 Wold
 D601,828 S 10/2009 Wold
 7,597,390 B2 10/2009 Galati et al.
 D603,522 S 11/2009 Elliott
 D605,777 S 12/2009 Galati, Jr. et al.
 D610,697 S 2/2010 Tran
 7,669,934 B1 3/2010 Cline
 D614,306 S 4/2010 Mai
 D615,326 S 5/2010 Tran
 D616,560 S 5/2010 Cong
 D623,428 S 9/2010 Galati et al.
 D623,448 S 9/2010 Galati et al.
 D624,656 S 9/2010 Ton
 D624,761 S * 10/2010 Le D6/336
 D626,360 S 11/2010 Galati et al.
 D626,768 S 11/2010 Galati et al.
 D627,075 S 11/2010 Galati et al.
 D628,704 S 12/2010 Tran
 D637,699 S 5/2011 Messier
 D655,819 S 3/2012 Ton
 D660,444 S 5/2012 Tran
 8,296,874 B2 10/2012 Galati et al.
 D670,354 S * 11/2012 Tran D23/204
 8,341,776 B2 1/2013 Galati, Jr. et al.
 D675,704 S * 2/2013 Niu D23/204
 D701,970 S * 4/2014 Le D24/204
 2004/0177438 A1 9/2004 Gruenwald et al.
 2004/0244107 A1 12/2004 Waldron
 2004/0261173 A1 12/2004 Chen
 2005/0183198 A1 8/2005 Gruenwald
 2005/0204466 A1 9/2005 Luong
 2005/0204467 A1 9/2005 Bean et al.
 2007/0143918 A1 6/2007 Cafaro et al.
 2007/0226896 A1 10/2007 Fugate et al.
 2007/0226897 A1 10/2007 Fugate
 2009/0094739 A1 4/2009 Vinokur et al.

OTHER PUBLICATIONS

Belvedere Company web pages, printed in 2007, 7 pages. (<http://www.belvedere.com/home.aspx>).
 European Touch web pages, printed in 2007, 8 pages (<http://europeantouch.com>).
 Gulstream Plastics Ltd. web pages, printed in 2007, 7 pages (<http://www.gulstreamplastic.com>).
 J&A USA web pages, printed in 2007, 10 pages (<http://www.jausainc.com>).
 Lexor Footspas Inc. web pages, printed in 2007, 3 pages (<http://www.lexorinc.com>).
 Salon Equipment, Inc. web pages, printed in 2007, 4 pages (<http://www.oasis-se.com/spas/>).
 ProSpa Inc., web pages, printed in 2007, 2 pages (<http://www.prospa1.com/>).
 Salon Tech, web pages, printed in 2007, 2 pages (<http://www.salontech.com/st2007/>).
 Skyline Beauty Supply Corp.—Whale Spa, web pages, printed Mar. 20, 2008, 6 pages (<http://skylinebeautysupply.com>).
 VNF International, web pages, printed Mar. 20, 2008, 6 pages (<http://www.pssnell-service.com/Manufacturer.htm>).
 T4 Spa Concepts & Design, web pages, printed Mar. 20, 2008, 7 pages (<http://www.t4spa.com>).
 Spa Zi, Division of LC Corp., web pages, printed Mar. 20, 2008, 4 pages (<http://www.thespazi.com>).
 Sanijet—Pipeless Pedicure Equipment, web pages, printed Mar. 20, 2008, 2 pages (http://www.sanijet.com/Products_Pedicure.aspx).
 Aqua Spas, web pages, printed Mar. 20, 2008, 3 pages (<http://aquaspa1.com>).
 Beauty Mall Ltd., web pages, printed Mar. 20, 2008, 6 pages (<http://beautymallltd.com>).
 Euro Spa, web page, printed Mar. 20, 2008, 1 page (<http://www.princesspedicurespas.com/manufacturer/eurospa.html#bella320>).

(56)

References Cited

OTHER PUBLICATIONS

Belava The Embrace, posted at Nailsrnag.com, posting date Jul. 15, 2011, © 2015 Nailsmag.com, [online], [site visited Nov. 3, 2015]. <URL: <http://www.nailsmag.com/product/95647/no-plumb-pedicure-tub>>.

Belava No-Plumb Pedicure Tub, posted at Nailsmag.com, posting date Oct. 5, 2012, © Nailsmag.com, [online], [site visited Nov. 3, 2015]. <URL: <http://www.nailsmag.com/product/95647/no-plumb-pedicure-tub>>.

* cited by examiner

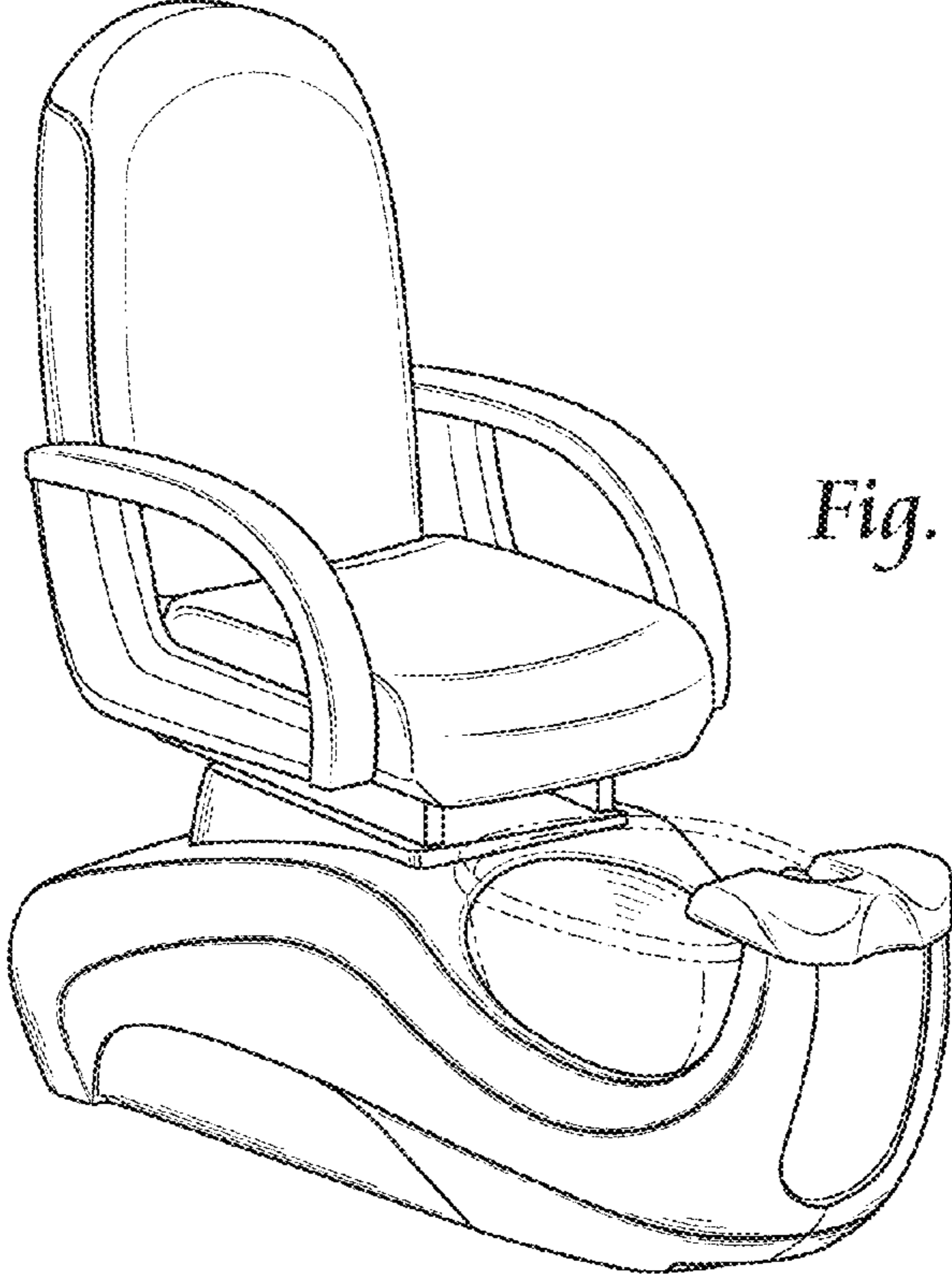


Fig. 1

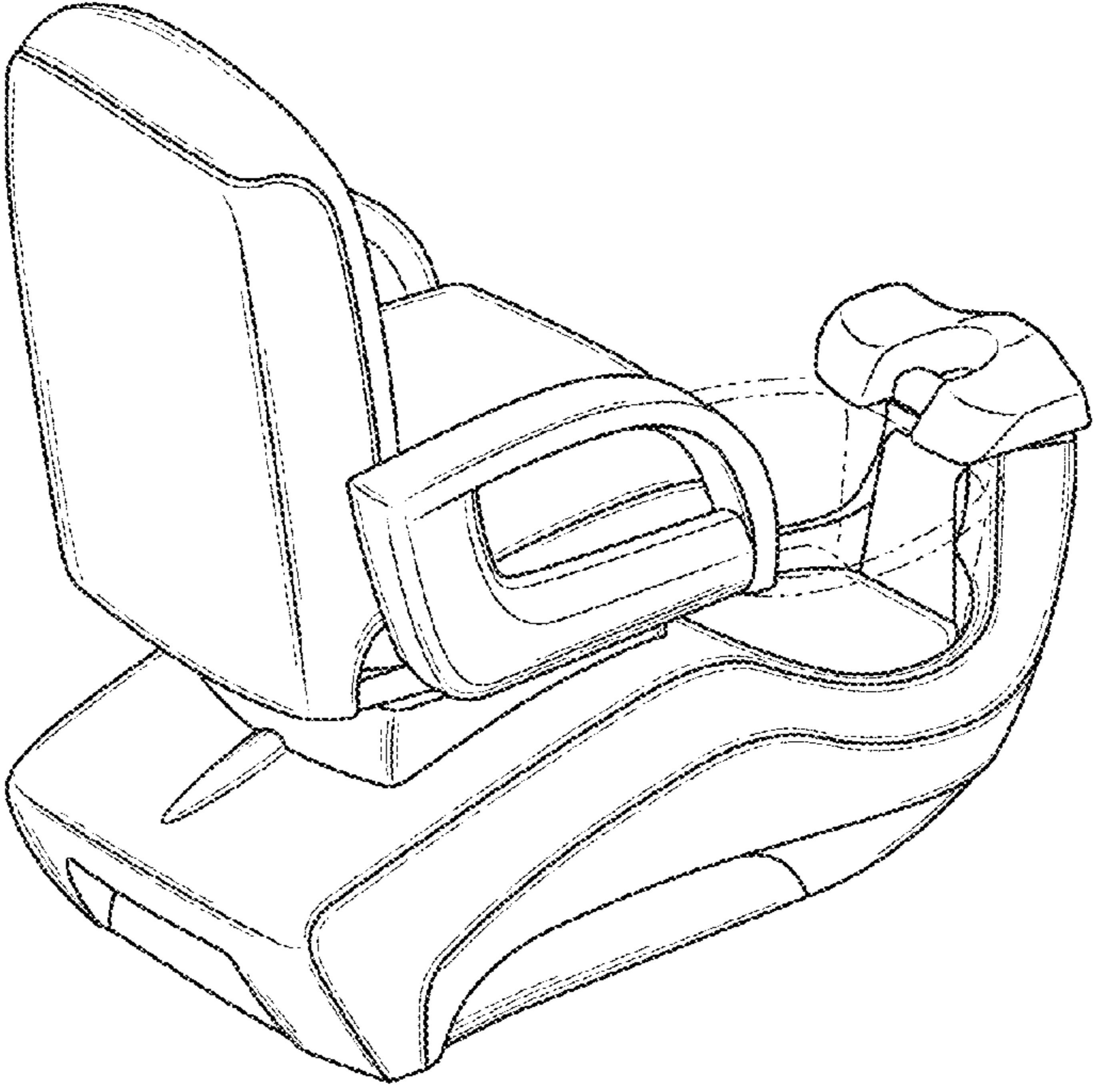


Fig. 2

Fig. 3

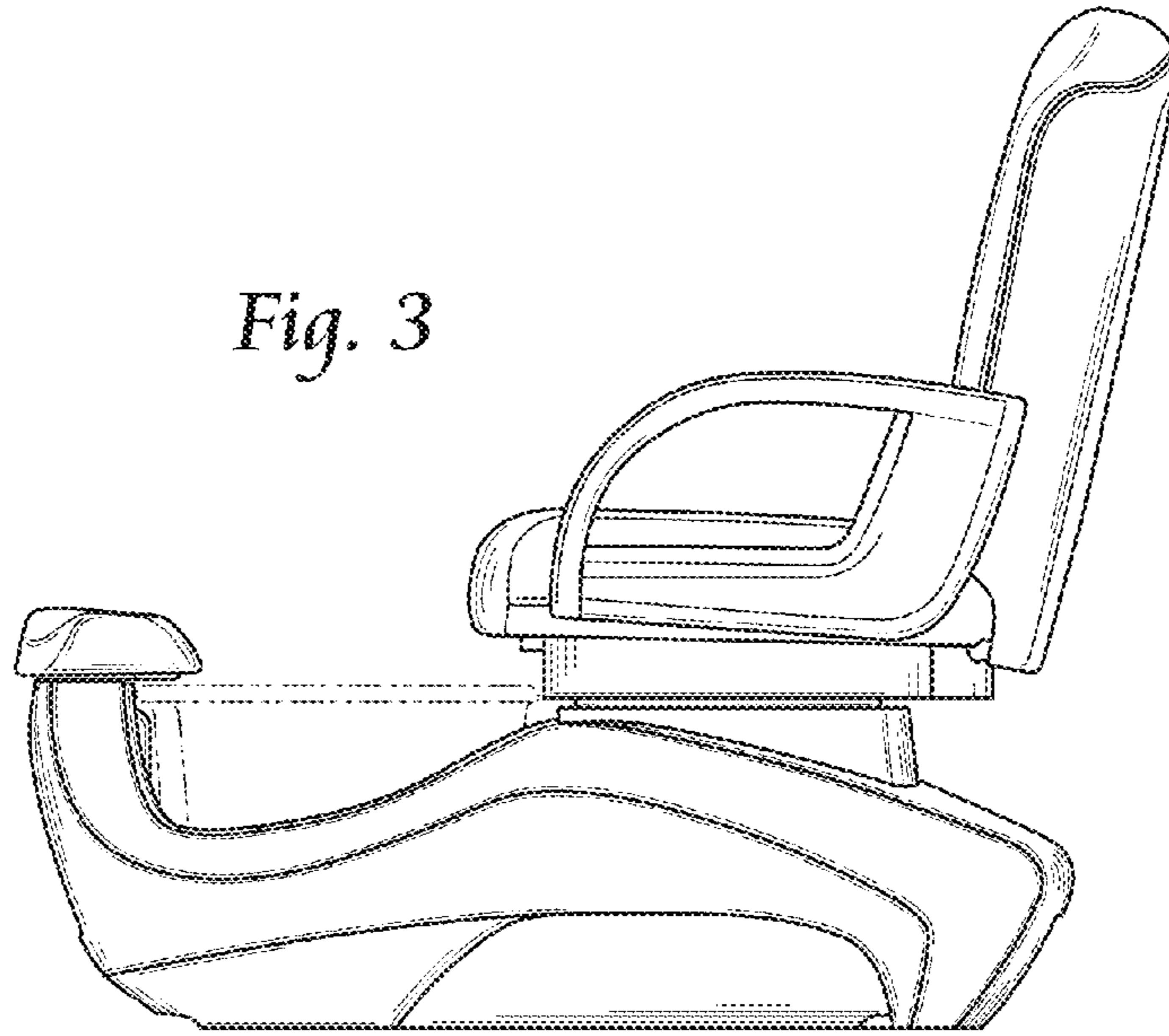


Fig. 4

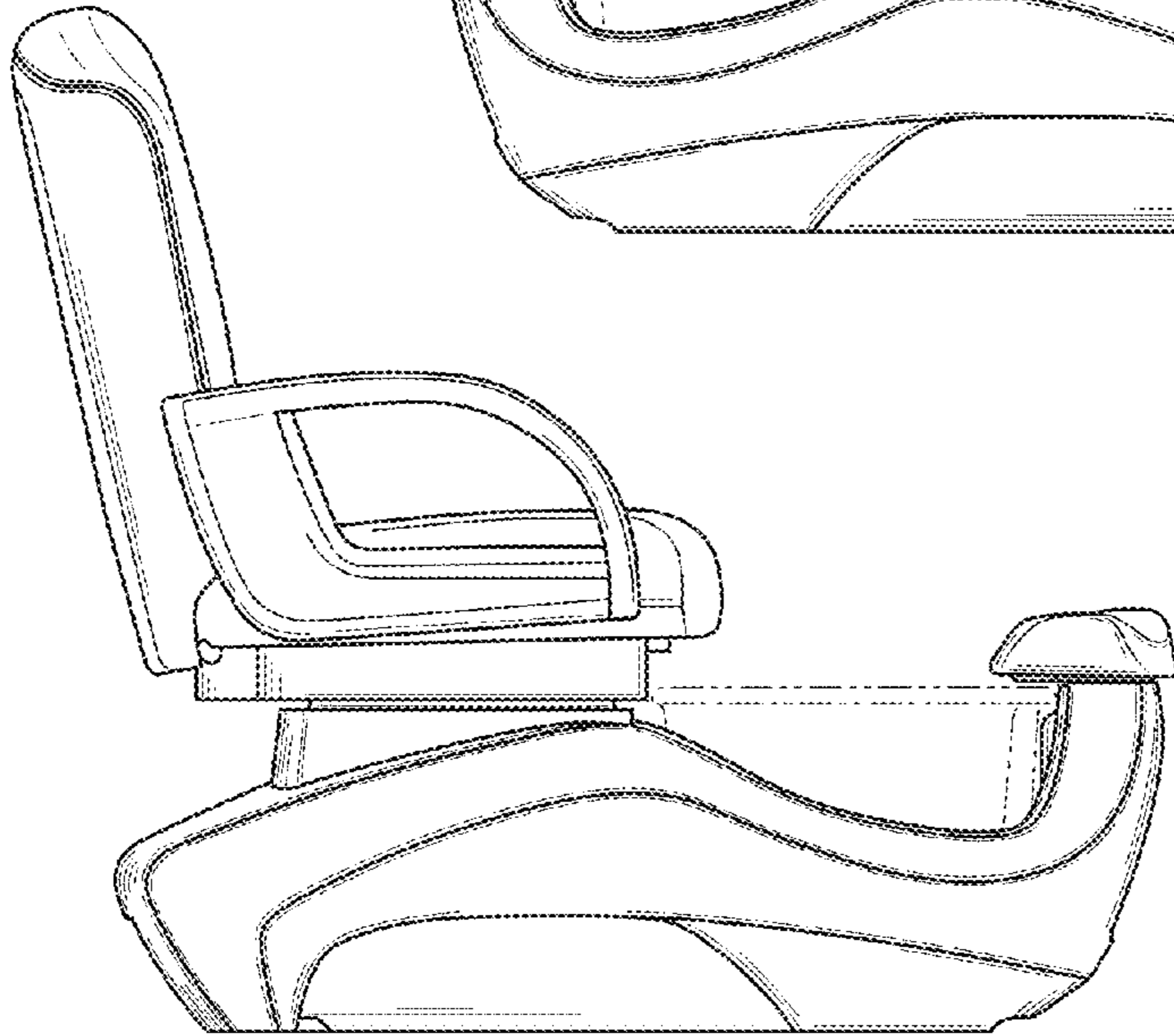
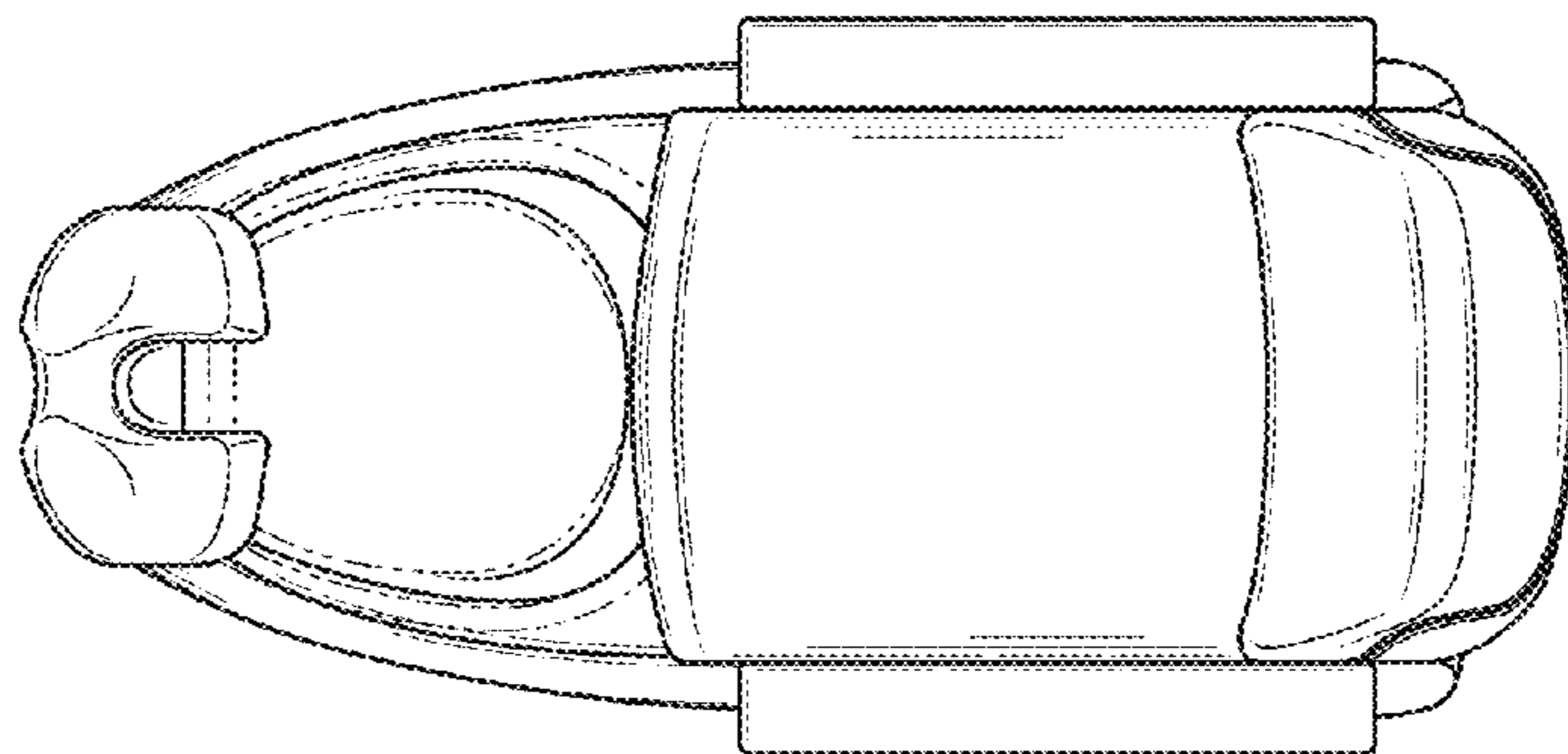


Fig. 5



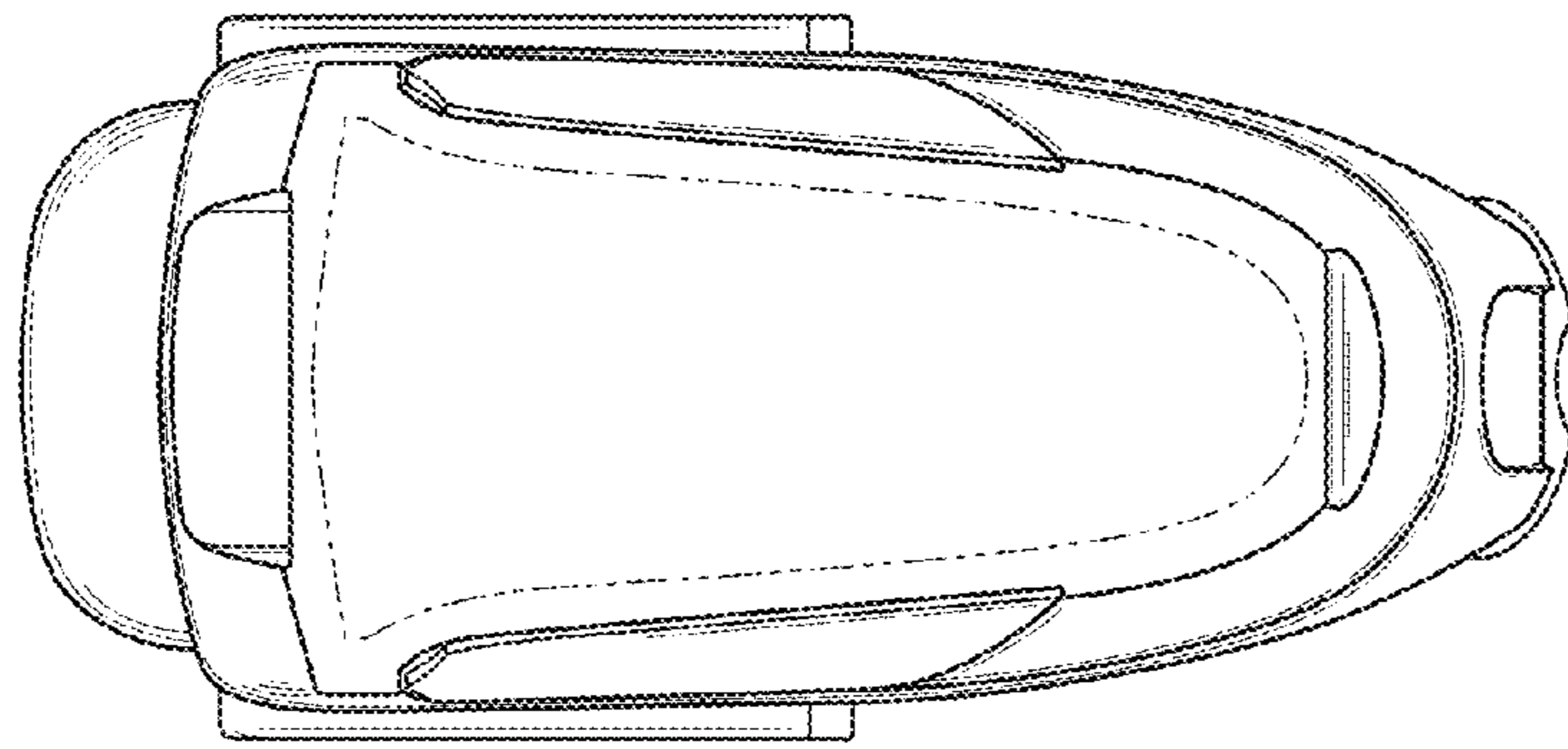


Fig. 6

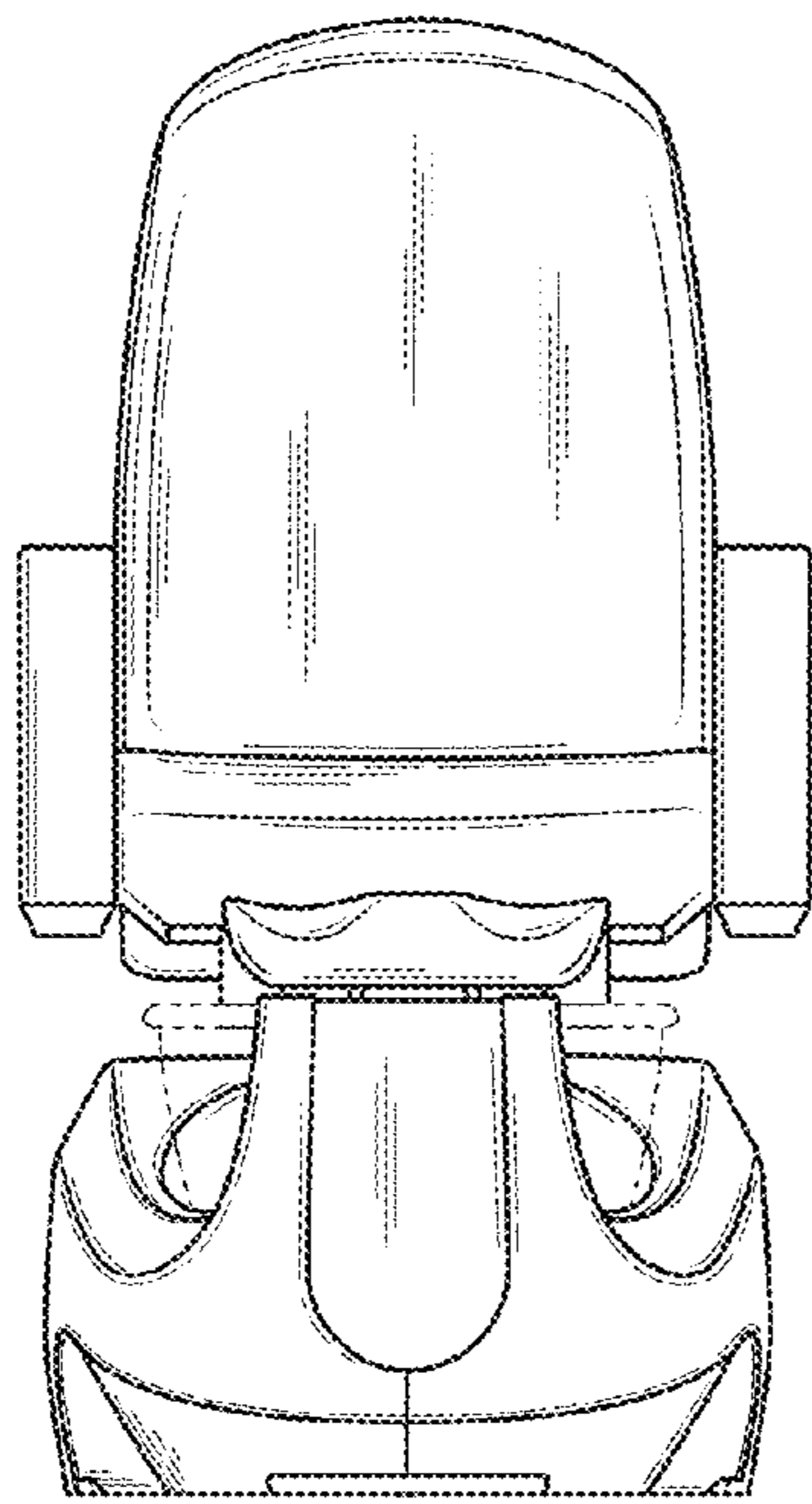


Fig. 7

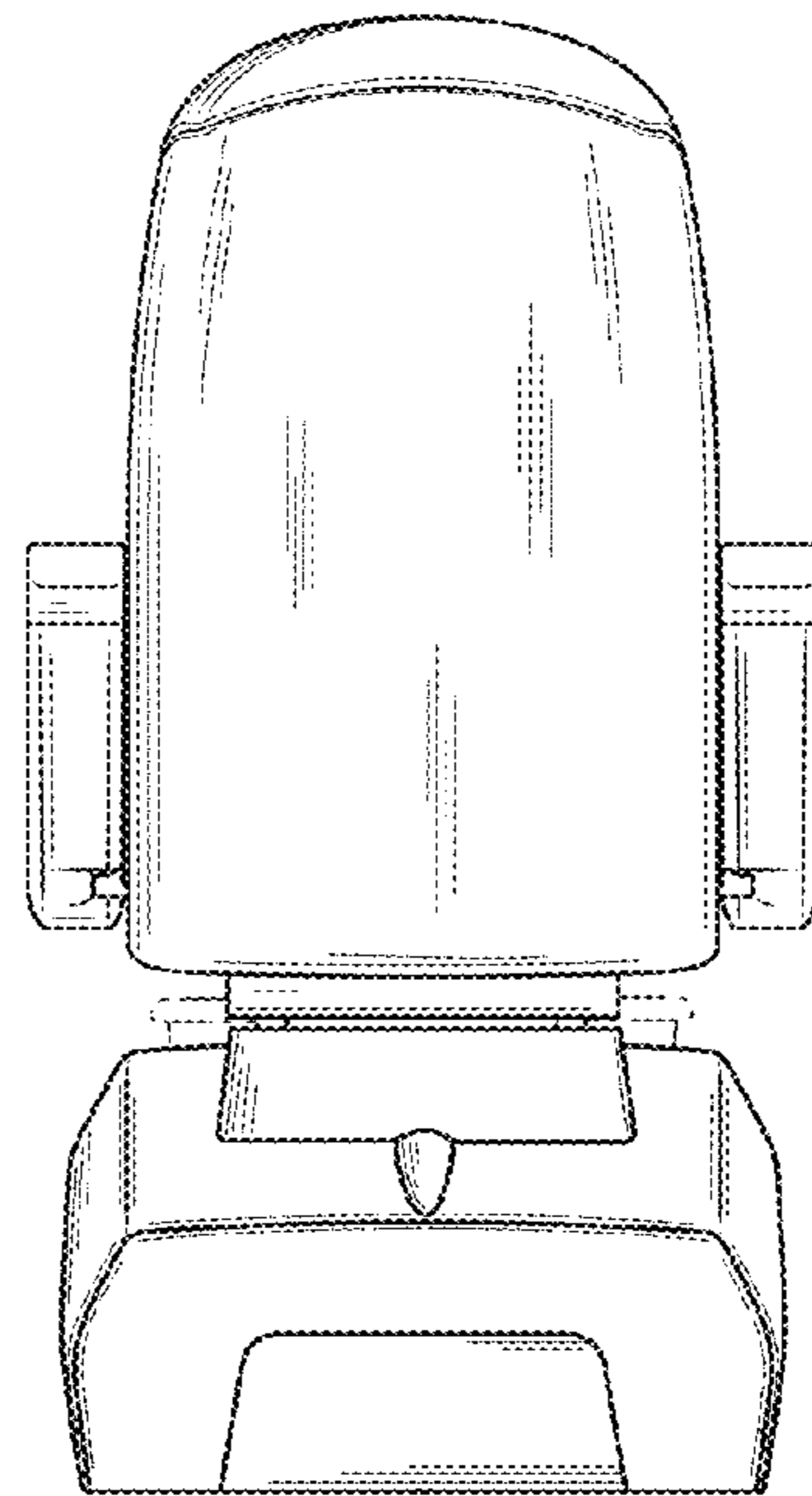


Fig. 8

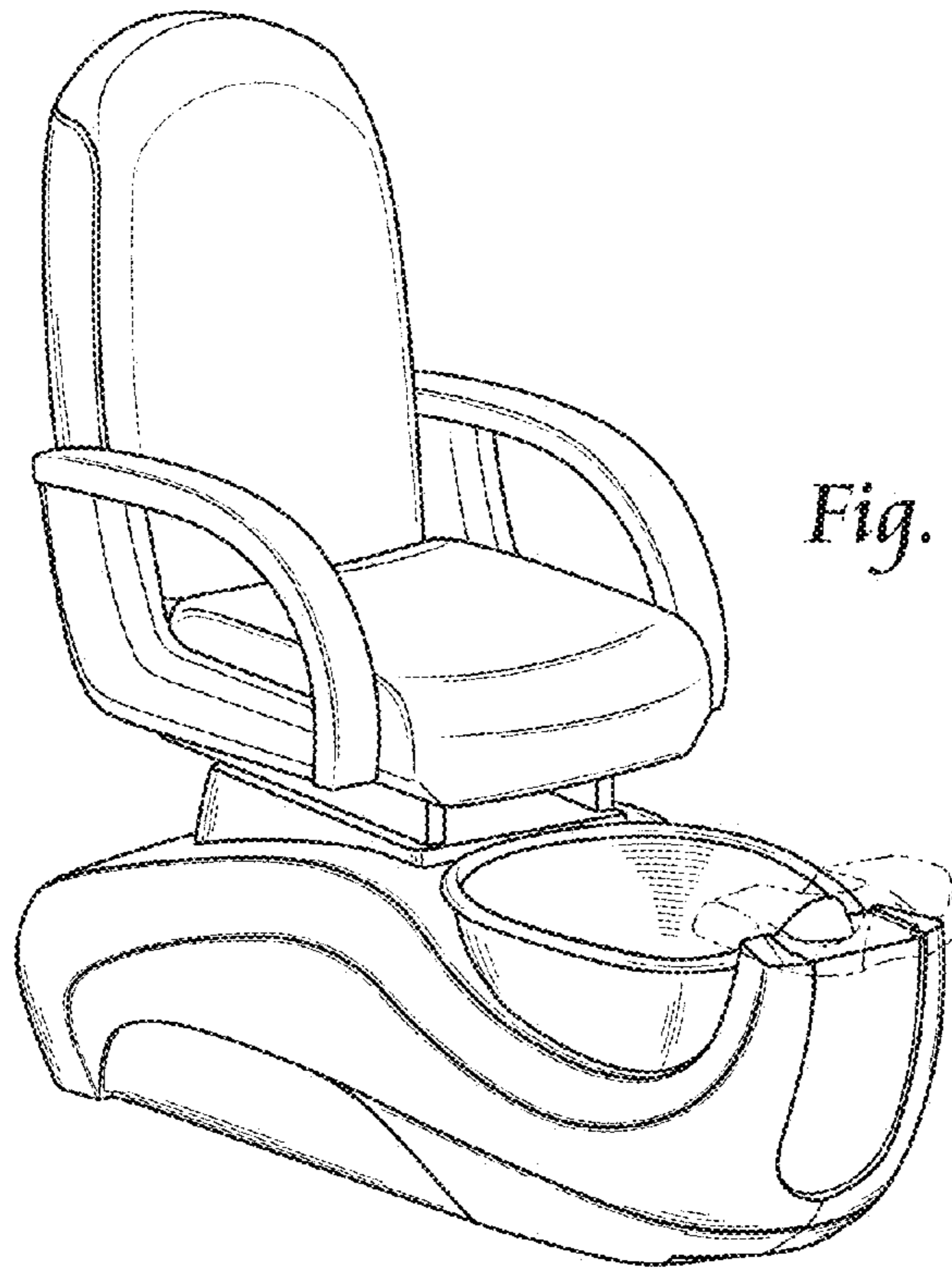


Fig. 9

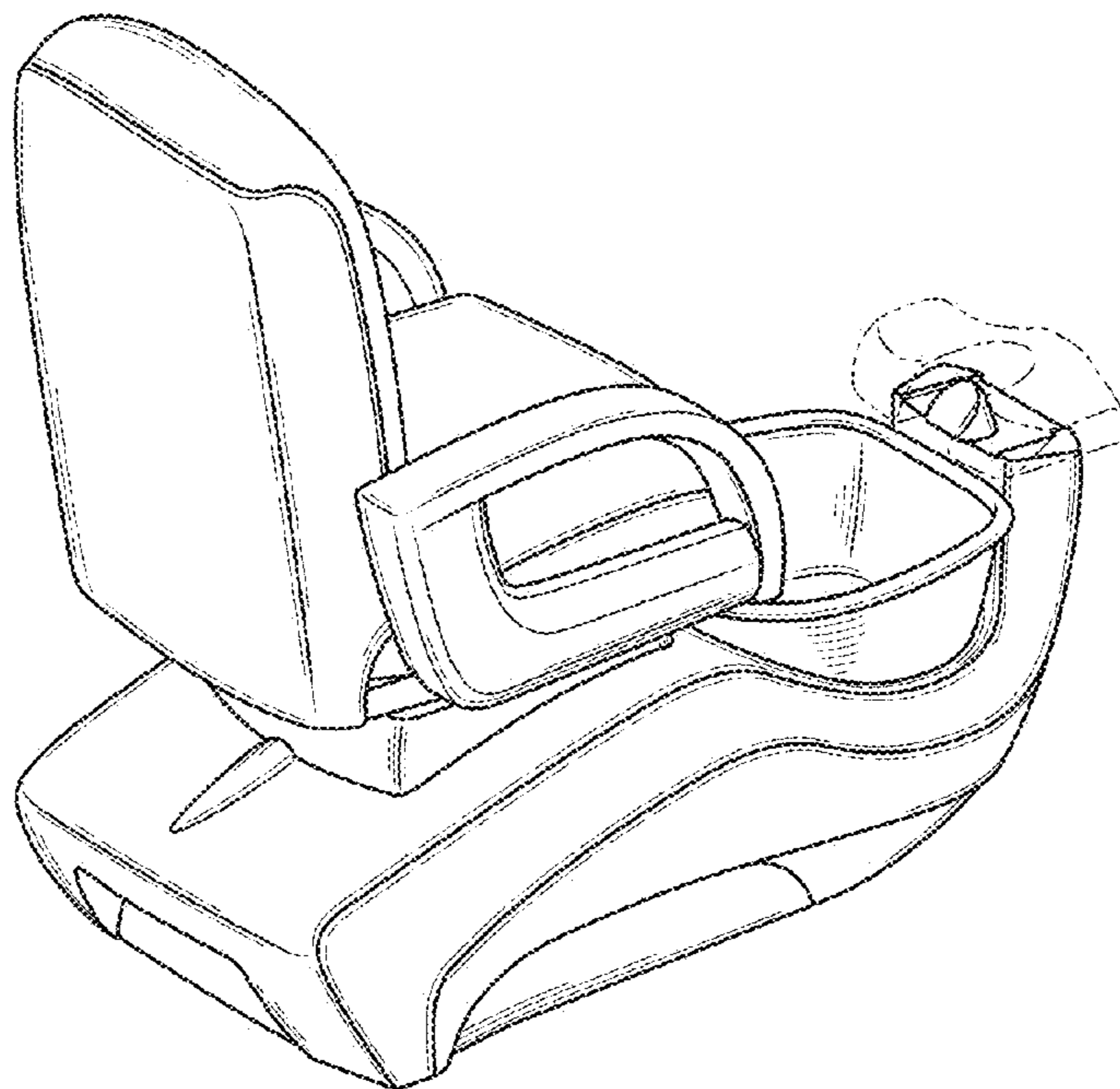


Fig. 10

Fig. 11

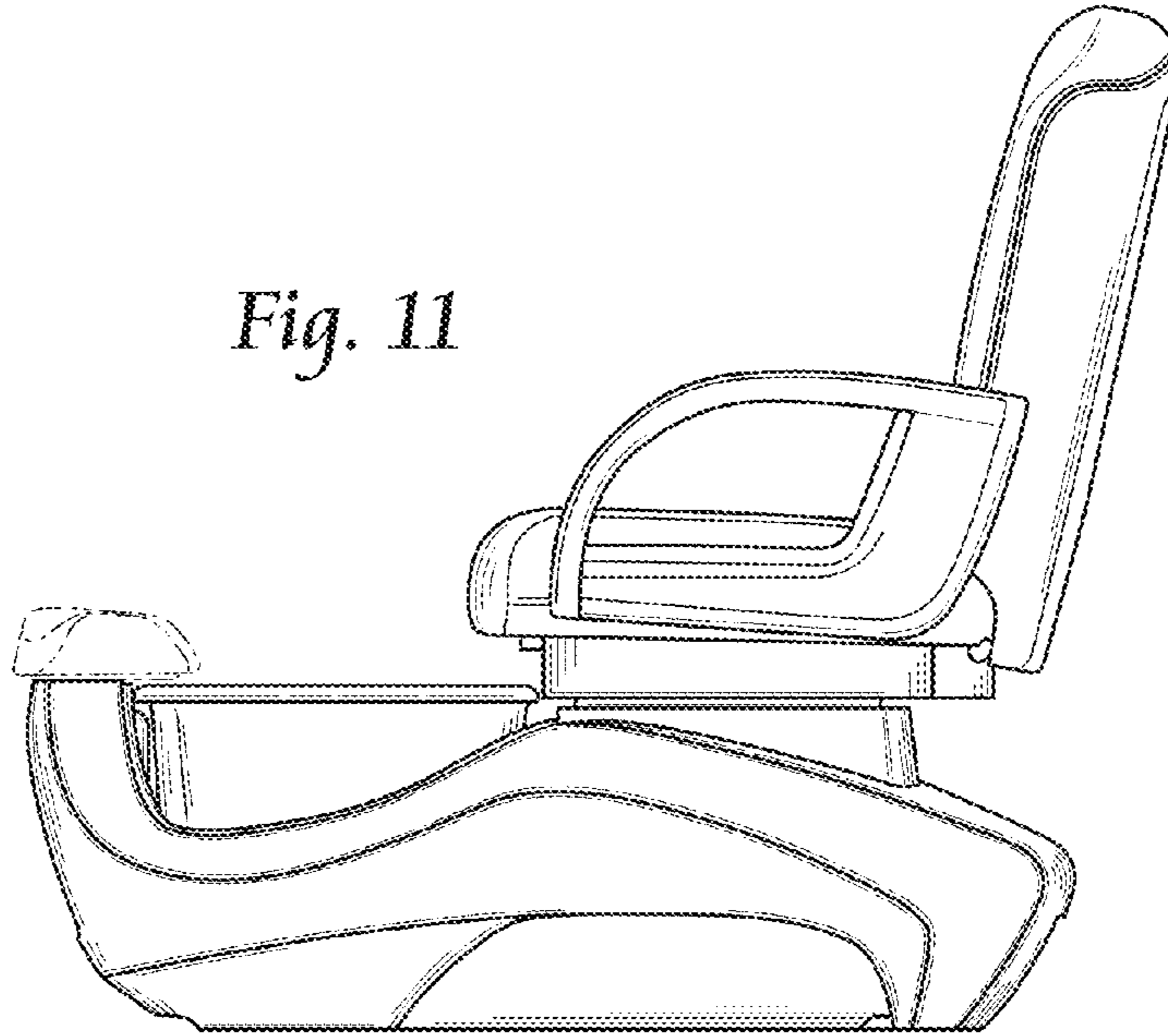


Fig. 12

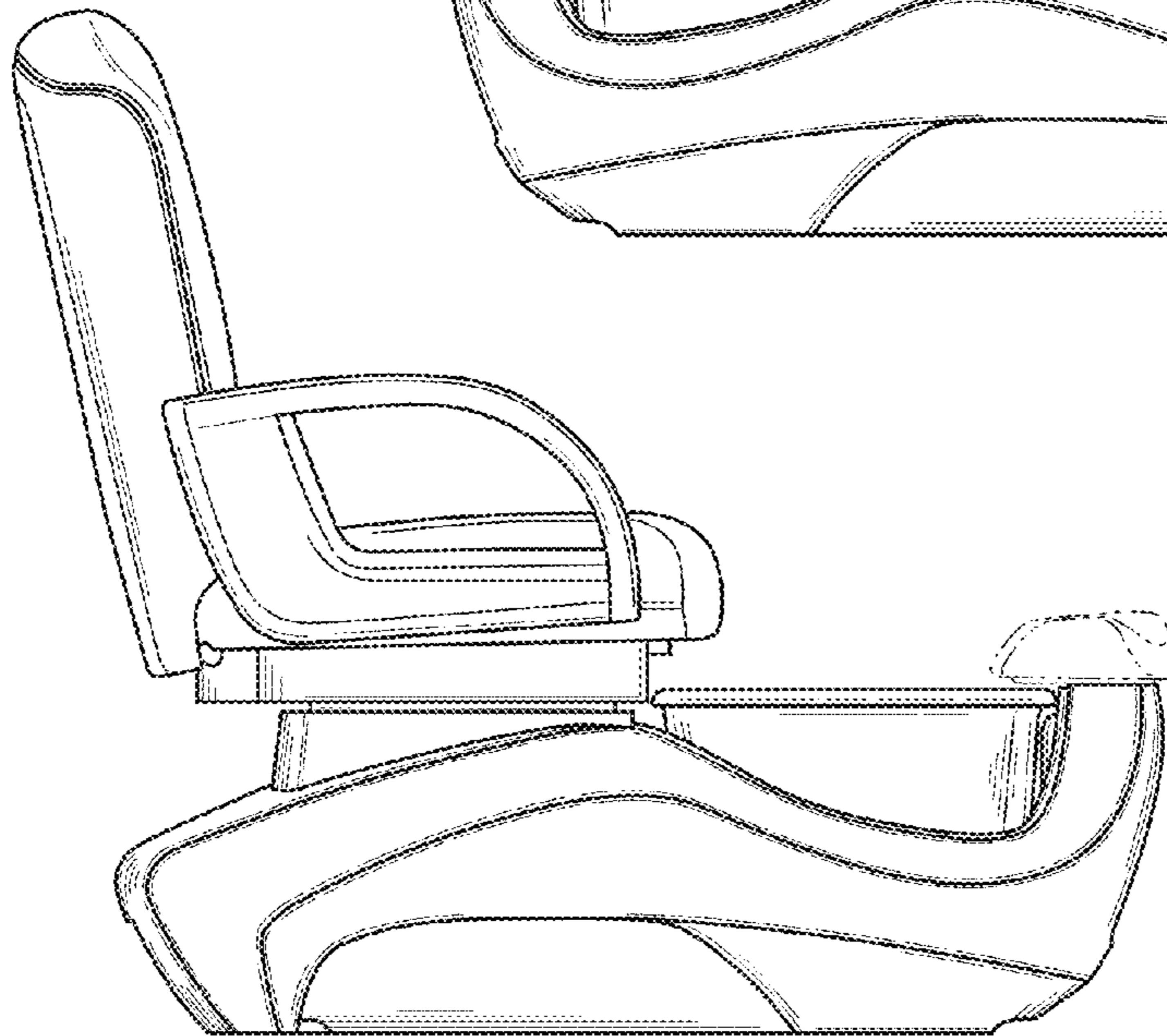
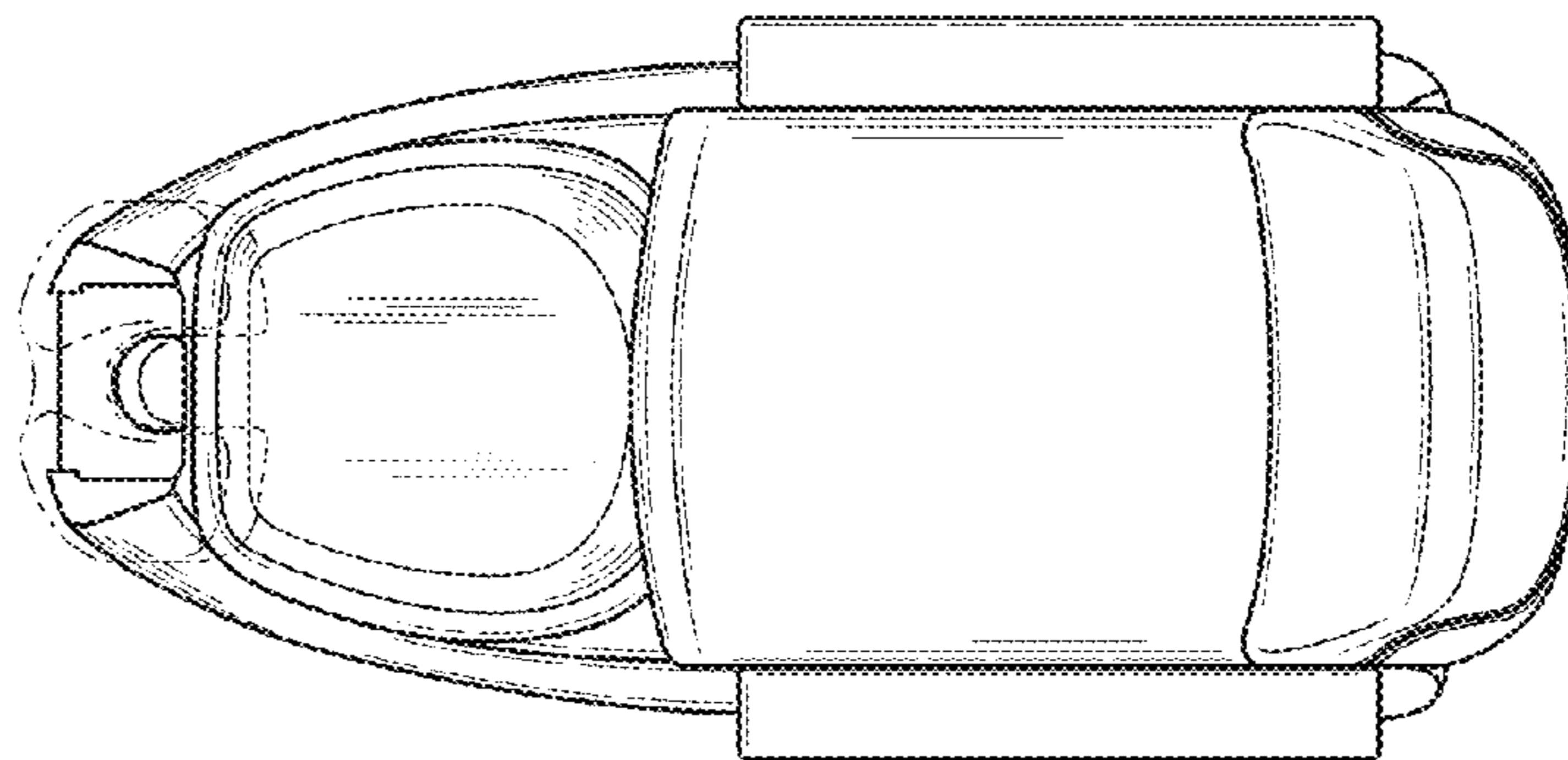


Fig. 13



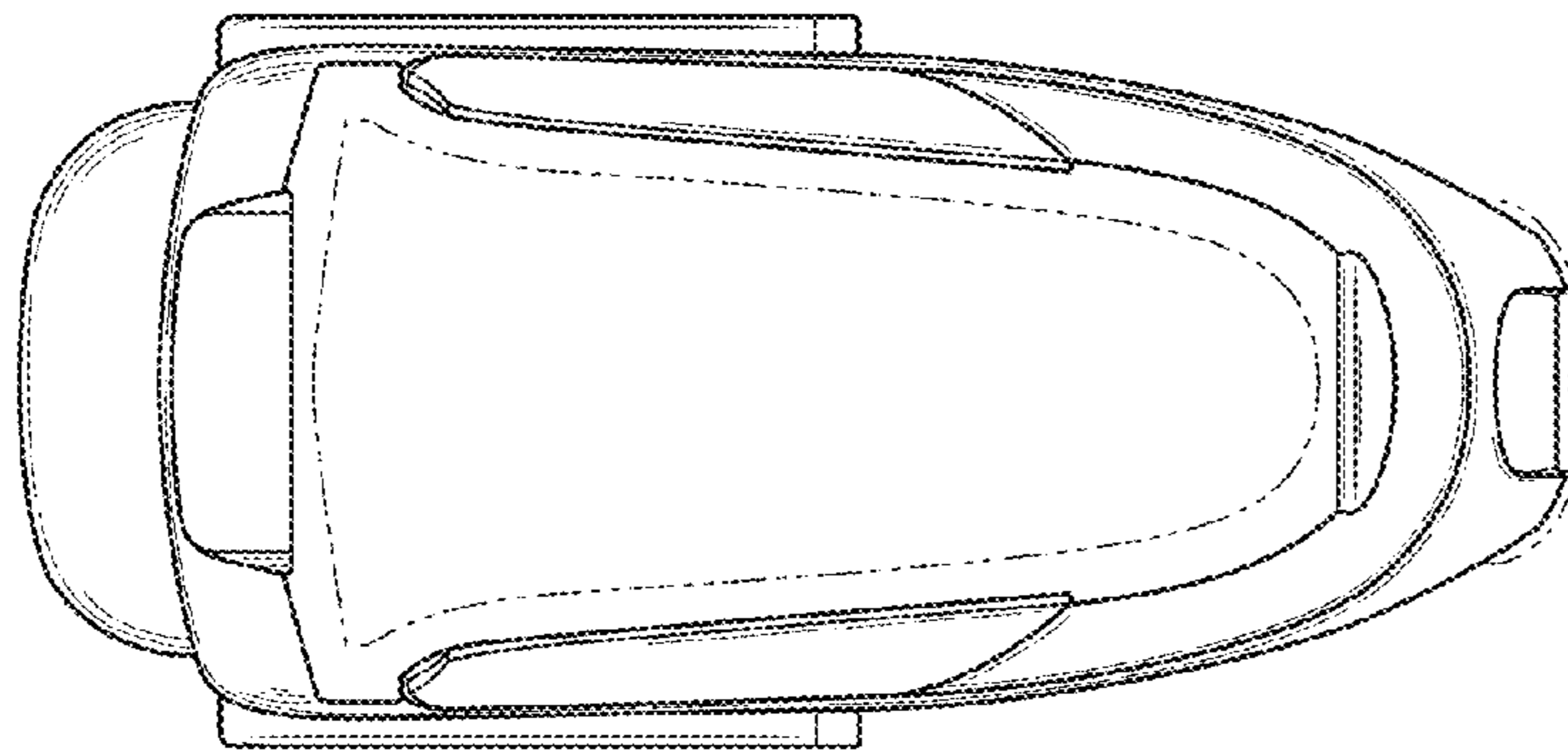


Fig. 14

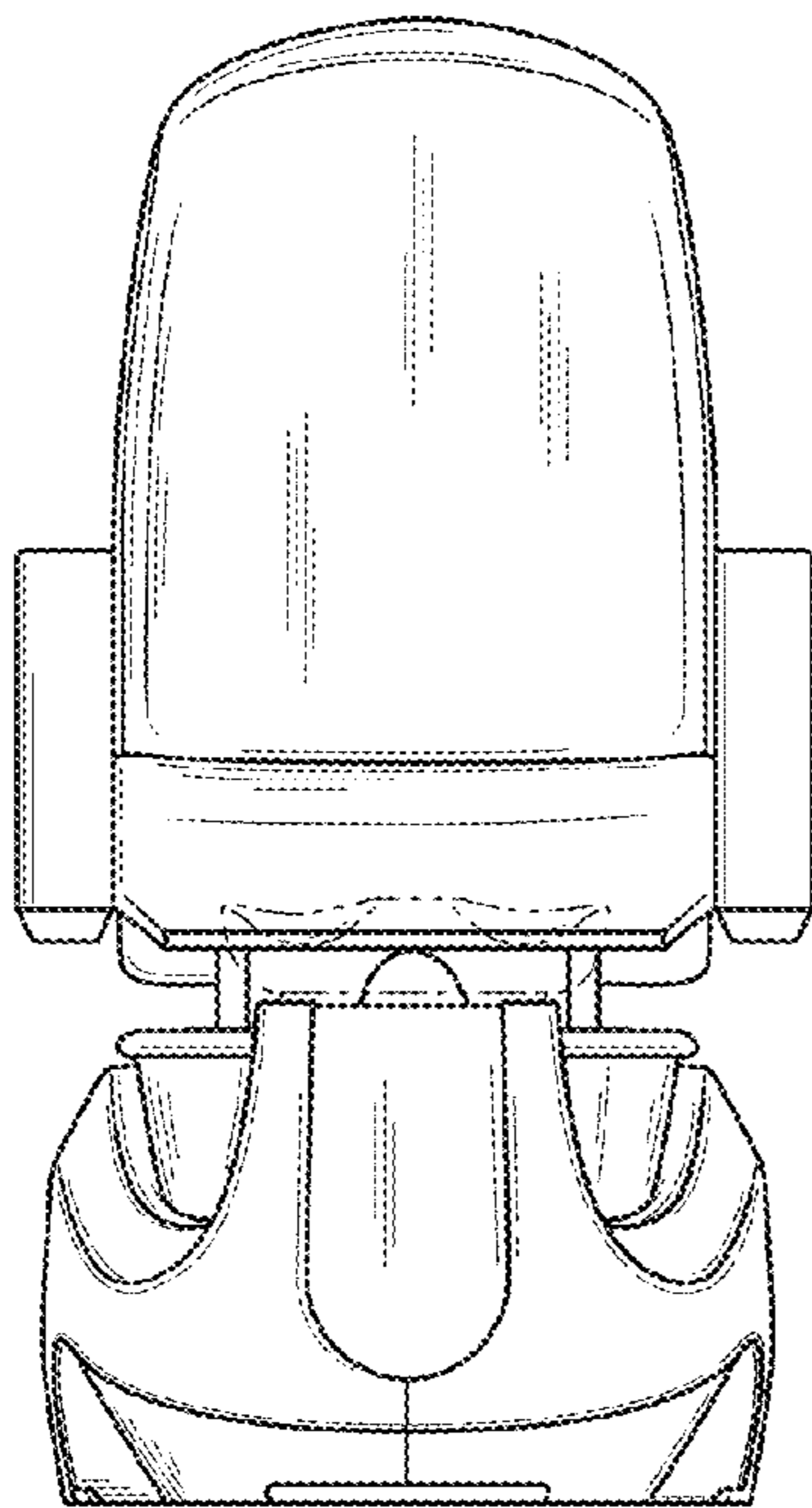


Fig. 15

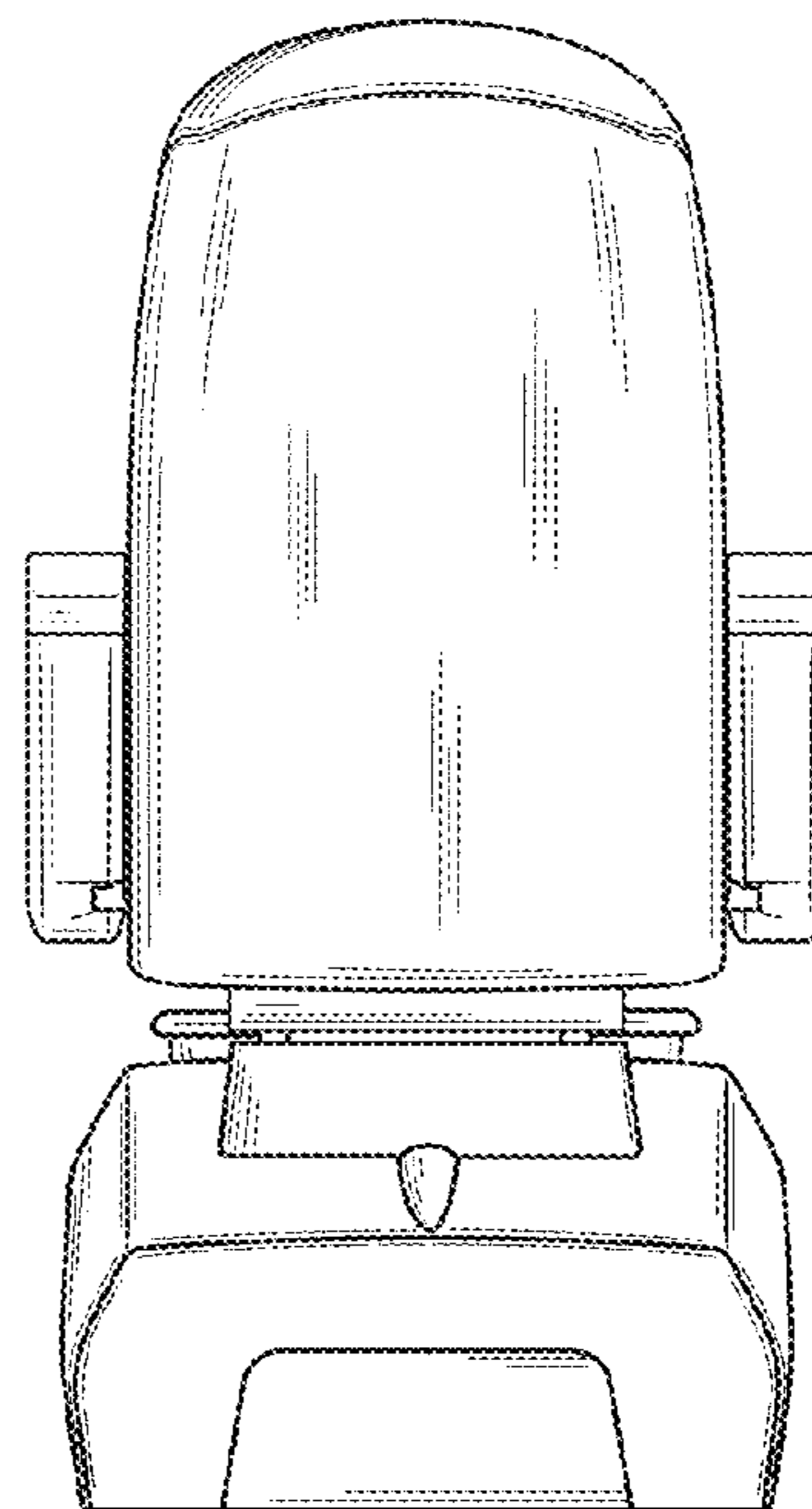


Fig. 16