



US00D762985S

(12) **United States Design Patent**
Schiller et al.

(10) **Patent No.:** **US D762,985 S**

(45) **Date of Patent:** **** Aug. 9, 2016**

(54) **TAG-LOOP CARRIER**

(71) Applicant: **Bedford Industries, Inc.**, Worthington, MN (US)

(72) Inventors: **David Schiller**, Sioux Falls, SD (US);
Curtis John Heinrichs, Sibley, IA (US)

(73) Assignee: **Bedford Industries, Inc.**, Worthington, MN (US)

(**) Term: **15 Years**

(21) Appl. No.: **29/542,306**

(22) Filed: **Oct. 13, 2015**

Related U.S. Application Data

(60) Continuation of application No. 29/496,818, filed on Jul. 17, 2014, now abandoned, which is a division of application No. 29/437,913, filed on Nov. 21, 2012, now Pat. No. Des. 712,154.

(51) **LOC (10) Cl.** **03-01**

(52) **U.S. Cl.**

USPC **D3/328**

(58) **Field of Classification Search**

USPC D3/318, 328

CPC G09F 3/08; G09F 3/14; B65B 51/043

See application file for complete search history.

(56) **References Cited**

U.S. PATENT DOCUMENTS

92,895 A 7/1869 Southworth
109,263 A 11/1870 Southworth

(Continued)

FOREIGN PATENT DOCUMENTS

EP 1 136 971 9/2001
FR 2 634 574 1/1990

(Continued)

OTHER PUBLICATIONS

“ElastiTag” Dieline PDF Downloads/Dieline Index, publically available at least as of Nov. 11, 2010, http://web.archive.org/web/20101111173316/http://www.elastitag.com/ElastiTag_Level_4/dielines.shtml (4 pages).

(Continued)

Primary Examiner — Holly Baynham

(74) *Attorney, Agent, or Firm* — James L. Young; Westman, Champlin & Koehler, P.A.

(57) **CLAIM**

The ornamental design for a tag-loop carrier, as shown and described.

DESCRIPTION

FIG. 1 is a front view of a first embodiment thereof;

FIG. 2 is a back view thereof;

FIG. 3 is a top view thereof;

FIG. 4 is a bottom view thereof;

FIG. 5 is a side view thereof, as taken from the left side of FIG. 1;

FIG. 6 is a side view thereof; as taken from the right side of FIG. 1;

FIG. 7 is a sectional view as taken along lines 7-7 in FIG. 1;

FIG. 8 is a front view of a second embodiment thereof;

FIG. 9 is a back view thereof;

FIG. 10 is a top view thereof;

FIG. 11 is a bottom view thereof;

FIG. 12 is a side view thereof, as taken from the left side of FIG. 8;

FIG. 13 is a side view thereof; as taken from the right side of FIG. 8;

FIG. 14 is a sectional view as taken along lines 14-14 in FIG. 8;

FIG. 15 is a front view of a third embodiment thereof;

FIG. 16 is a back view thereof;

FIG. 17 is a top view thereof;

FIG. 18 is a bottom view thereof;

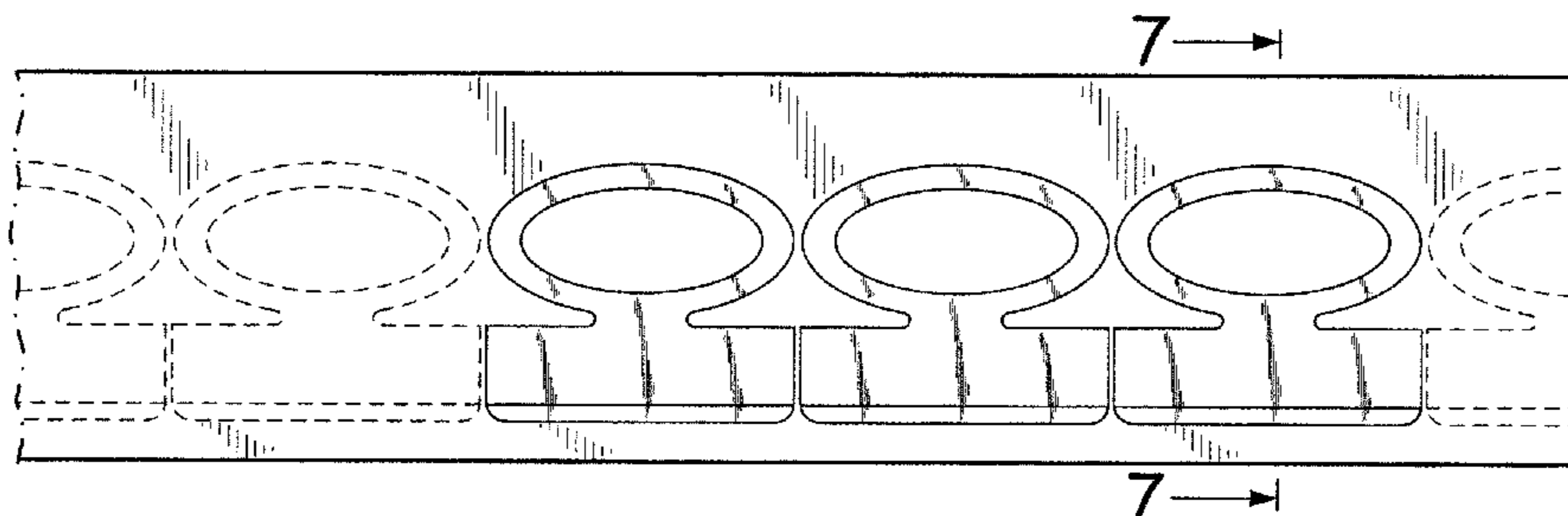
FIG. 19 is a side view thereof, as taken from the left side of FIG. 15;

FIG. 20 is a side view thereof; as taken from the right side of FIG. 15; and,

FIG. 21 is a sectional view as taken along lines 21-21 in FIG. 15.

The evenly spaced broken lines showing additional tag loops are for the purposes of illustrating environment and forms no part of the claimed design. The dot dashed lines showing broken away symbols in the drawings indicate that any portion of the article beyond what is shown forms no part of the claimed design.

1 Claim, 6 Drawing Sheets



(56)

References Cited

U.S. PATENT DOCUMENTS

134,116 A 12/1872 West
 161,145 A 3/1875 Hutchinson
 212,578 A 2/1879 Smith
 224,958 A 2/1880 Rowland
 263,600 A 8/1882 Searing
 381,879 A 4/1888 Howard
 D28,619 S 5/1898 McFadden
 1,221,572 A 4/1917 Morton
 1,397,079 A 11/1921 Cohen
 1,612,342 A 12/1926 Alstrand
 1,830,410 A 11/1931 Schaaf et al.
 1,929,320 A 10/1933 Lulham
 2,194,220 A 3/1940 Elder
 2,516,292 A 7/1950 Bennett
 2,669,047 A 2/1954 Rieger
 2,937,464 A 5/1960 Marshall
 3,077,683 A 2/1963 Jones
 3,164,250 A * 1/1965 Paxton B65B 51/043
 206/343
 3,545,795 A 12/1970 Hertel
 3,602,957 A 9/1971 Chang
 3,621,809 A 11/1971 Paxton
 3,662,480 A 5/1972 Gilson, Jr. et al.
 3,749,622 A 7/1973 Sato et al.
 3,777,378 A 12/1973 Sant' Anselmo
 3,783,083 A 1/1974 Jenkins
 3,896,524 A 7/1975 Parker
 3,899,074 A 8/1975 Lucas
 3,930,506 A 1/1976 Overend
 3,933,560 A 1/1976 Muttera
 3,955,656 A 5/1976 Kashinski
 4,119,449 A 10/1978 Gould et al.
 D251,121 S 2/1979 Smith
 4,323,608 A 4/1982 Denny et al.
 4,341,303 A 7/1982 Britt
 4,390,095 A 6/1983 Cunningham
 4,407,082 A 10/1983 Stehouwer
 4,433,498 A 2/1984 Bienz
 4,519,178 A 5/1985 Crabb, Jr.
 4,529,229 A 7/1985 Glibbery
 4,749,426 A 6/1988 Wyss
 5,018,286 A 5/1991 Zahner
 5,087,306 A 2/1992 Cheung et al.
 5,131,614 A 7/1992 Garcia et al.
 5,207,746 A 5/1993 Jones
 D338,195 S 8/1993 Sugarman
 RE34,366 E 9/1993 Instance
 5,248,164 A 9/1993 Lepretre
 5,279,019 A 1/1994 Knickle
 5,322,724 A 6/1994 Levens
 5,348,781 A 9/1994 Kobiella
 5,367,752 A 11/1994 Petty
 5,388,739 A 2/1995 Gargan
 5,467,897 A 11/1995 Williams
 5,531,696 A 7/1996 Menes
 5,595,797 A 1/1997 Miller
 5,617,656 A 4/1997 Ludlow et al.
 D385,581 S 10/1997 Linz
 D386,211 S 11/1997 Taparuskas, Jr.
 5,683,194 A 11/1997 Emmel et al.

5,697,177 A 12/1997 Ludlow et al.
 5,700,537 A 12/1997 Instance
 5,713,467 A 2/1998 Kao
 5,732,495 A 3/1998 Lowe
 5,733,652 A 3/1998 Stowman et al.
 5,778,583 A 7/1998 Larsen
 5,866,219 A 2/1999 McClure et al.
 5,900,307 A 5/1999 Barcikowski
 5,913,619 A 6/1999 Lowe
 6,024,225 A 2/2000 Van der Donk et al.
 6,058,639 A 5/2000 Tinklenberg et al.
 6,076,669 A 6/2000 Ling
 6,116,653 A 9/2000 Oberholzer
 6,146,731 A 11/2000 Tanoto
 6,270,834 B1 8/2001 Burrows
 6,271,631 B1 8/2001 Burrows
 6,279,255 B1 8/2001 Larsen
 6,355,403 B1 3/2002 Bourdelais et al.
 6,378,700 B1 4/2002 Tong
 6,381,890 B1 5/2002 Sjostedt
 6,413,122 B2 7/2002 Fujioka
 6,449,886 B1 9/2002 Gray
 D494,066 S 8/2004 Liu
 D501,892 S 2/2005 Perry
 6,991,261 B2 1/2006 Dronzek, Jr. et al.
 D532,049 S 11/2006 Ludlow
 7,281,345 B2 10/2007 Ludlow et al.
 7,418,987 B2 9/2008 Duffy
 7,836,622 B1 11/2010 King
 7,941,953 B2 5/2011 Ludlow
 8,011,127 B2 9/2011 Ludlow
 D670,914 S 11/2012 Price
 D723,621 S * 3/2015 Heinrichs D20/22
 2003/0096076 A1 5/2003 Allison
 2003/0150919 A1 8/2003 Blank
 2005/0138854 A1 6/2005 Simmons
 2005/0166439 A1 8/2005 Ludlow et al.
 2005/0173073 A1 8/2005 Chernoff
 2005/0255277 A1 11/2005 Syron
 2006/0086028 A1 4/2006 Vaughan
 2006/0147668 A1 7/2006 Hirose et al.
 2006/0272185 A1 12/2006 Malama et al.
 2009/0188144 A1 7/2009 Ludlow
 2012/0153109 A1 6/2012 Milbrandt
 2012/0244325 A1 9/2012 Maltas
 2013/0059107 A1 3/2013 Ludlow

FOREIGN PATENT DOCUMENTS

GB 2 255 958 11/1992
 GB 2 382 810 6/2003
 GB 2 405 854 3/2005
 NL 1016806 6/2002
 WO 98/24086 6/1998
 WO 07-84119 7/2007

OTHER PUBLICATIONS

Canadian Examiner's Report dated Jan. 22, 2014, issued in corresponding Canadian Patent Application No. 150952, filed May 3, 2013 (3 pages).

* cited by examiner

FIG. 3

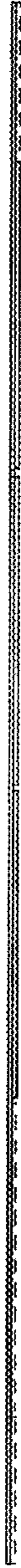


FIG. 5

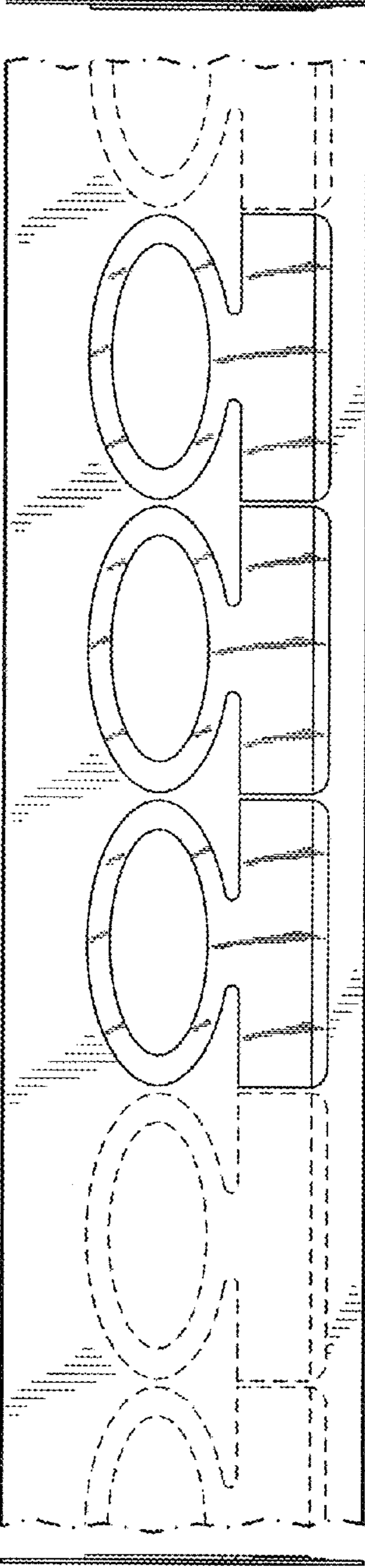


FIG. 1

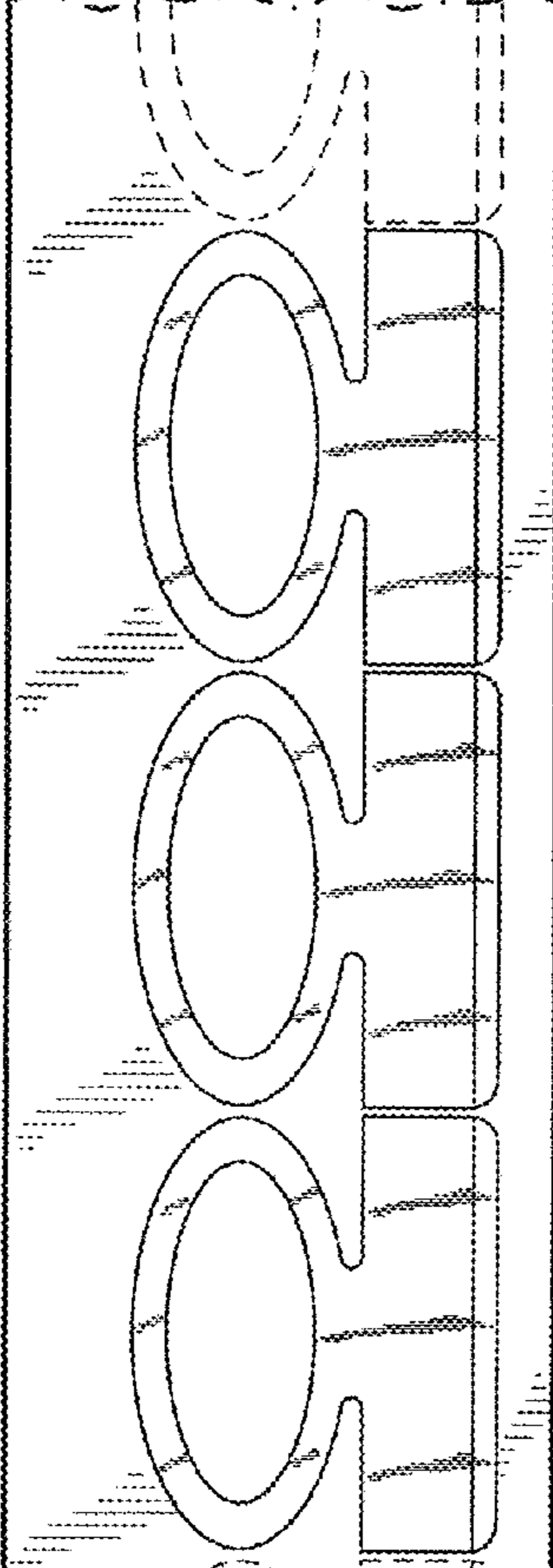


FIG. 6

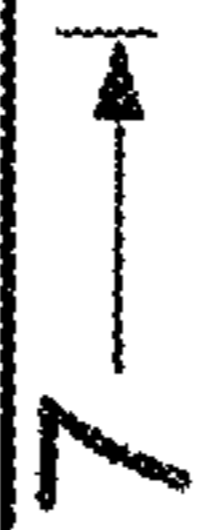
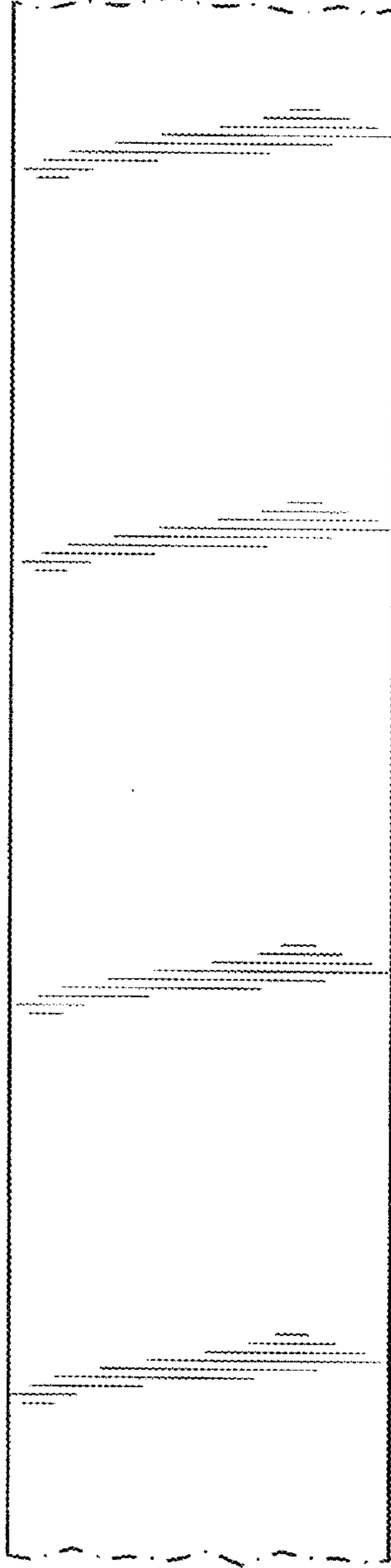


FIG. 4

FIG. 2



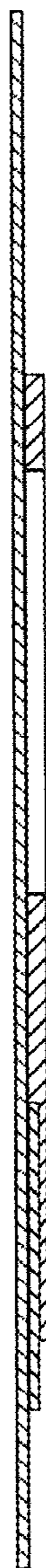


FIG. 7

FIG. 10



FIG. 12



FIG. 13

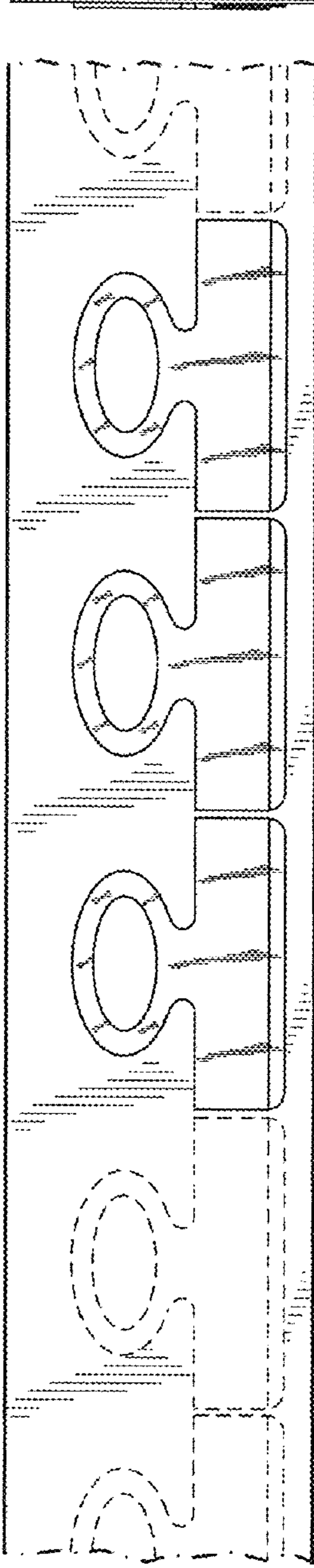


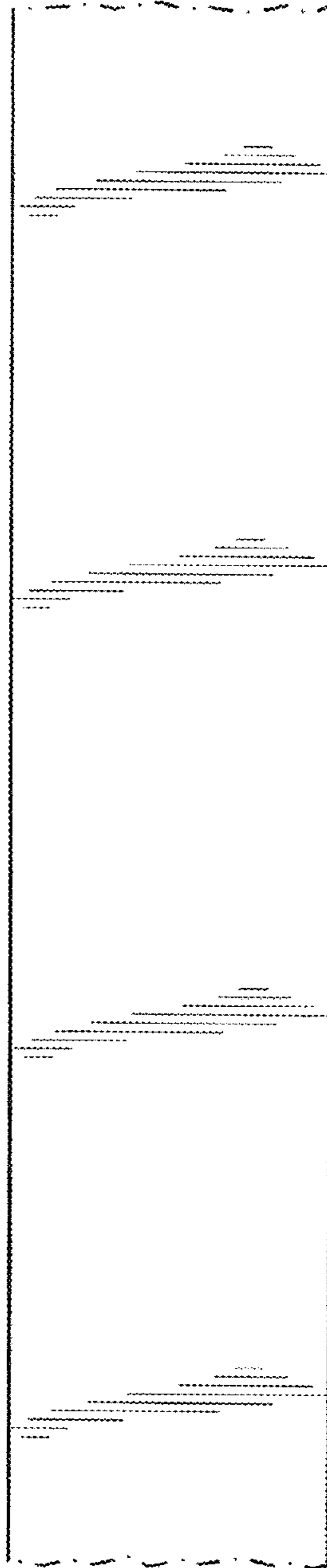
FIG. 8



FIG. 11



FIG. 9



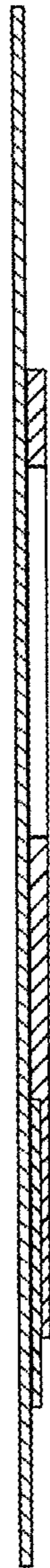
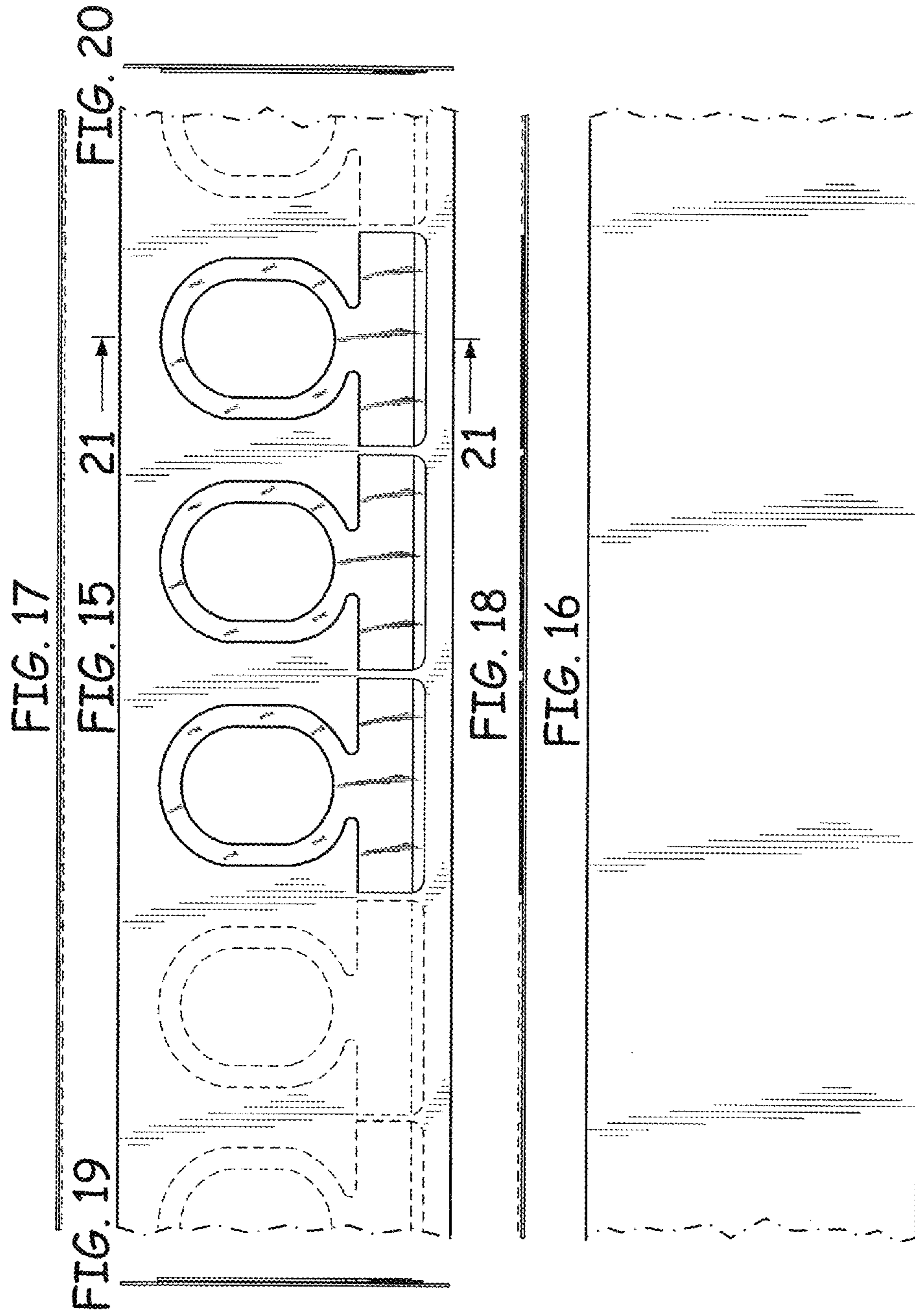


FIG. 14



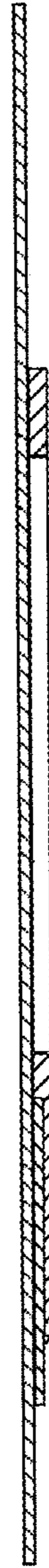


FIG. 21