

US00D762980S

(12) **United States Design Patent**  
**Aller et al.**

(10) **Patent No.:** **US D762,980 S**  
(45) **Date of Patent:** **\*\* Aug. 9, 2016**

- (54) **CONTAINER**
- (71) Applicant: **Urbio, LLC**, Oakland, CA (US)
- (72) Inventors: **Jared Aller**, Oakland, CA (US); **Beau Oyler**, Walnut Creek, CA (US)
- (\*\*) Term: **14 Years**
- (21) Appl. No.: **29/524,209**
- (22) Filed: **Apr. 17, 2015**
- (51) **LOC (10) Cl.** ..... **03-01**
- (52) **U.S. Cl.**  
USPC ..... **D3/304**
- (58) **Field of Classification Search**  
USPC ..... D6/512–514, 657–658, 663–664,  
D6/667–668, 672–674, 682–682.1;  
D7/603–608, 629; D15/79–81;  
D3/304–315  
CPC ..... B65D 1/02; B65D 1/023; B65D 1/0223  
See application file for complete search history.

D501,886 S *	2/2005	Chen .....	D19/77
D506,644 S	6/2005	Poupel et al.	
7,010,935 B2	3/2006	Citrynell et al.	
D540,623 S	4/2007	Schreiber-Pethan et al.	
D543,788 S	6/2007	Hong	
D543,790 S	6/2007	Szymanski	
D551,502 S	9/2007	Bodum	
D563,733 S	3/2008	Wang	
D564,843 S	3/2008	Frank	

(Continued)

**FOREIGN PATENT DOCUMENTS**

JP	2002/199980	7/2002
JP	2003/246378	9/2003
WO	WO 2009/116895	9/2009

**OTHER PUBLICATIONS**

PCT International Search Report and Written Opinion in International Application PCT/US2012/030987, mailed Jul. 13, 2012, 15 pgs.

*Primary Examiner* — Kelley Donnelly

(57) **CLAIM**  
The ornamental design for a container, as shown.

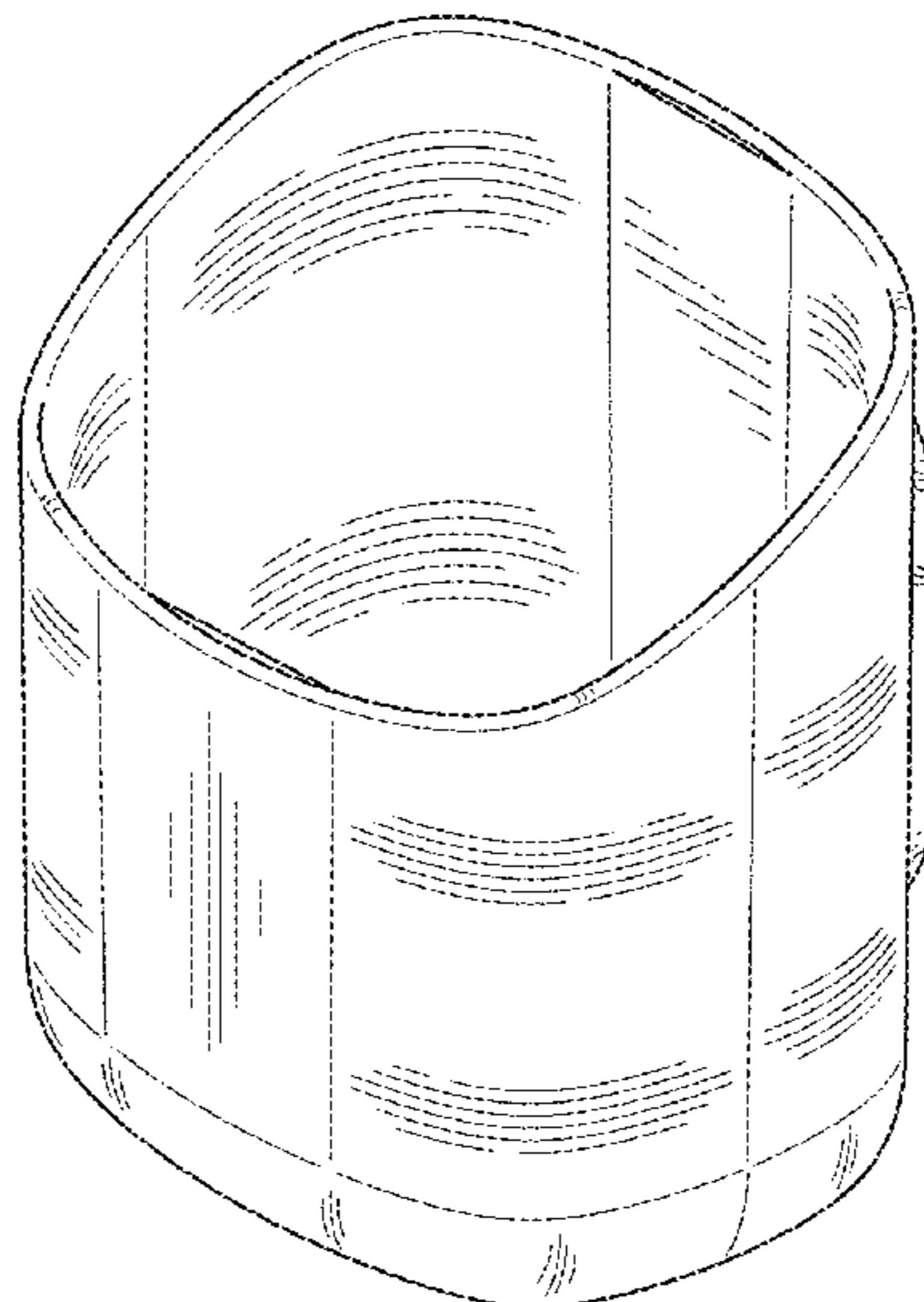
**DESCRIPTION**

FIG. 1 is a front perspective view of a container showing our new design.  
FIG. 2 is back perspective view of the container of FIG. 1.  
FIG. 3 is a front elevation view of the container of FIG. 1.  
FIG. 4 is a back elevation view of the container of FIG. 1.  
FIG. 5 is a right elevation view of the container of FIG. 1.  
FIG. 6 is a left elevation view of the container of FIG. 1.  
FIG. 7 is a top plan view of the container of FIG. 1; and,  
FIG. 8 is a bottom plan view of the container of FIG. 1.

**1 Claim, 7 Drawing Sheets**

(56) **References Cited**  
**U.S. PATENT DOCUMENTS**

4,484,682 A	11/1984	Crow	
D287,175 S	12/1986	Gecchelin	
D305,193 S	12/1989	Sajadieh	
5,037,107 A	8/1991	McArthur et al.	
D334,265 S	3/1993	Giugiaro	
5,368,203 A	11/1994	Friedrich et al.	
D363,604 S *	10/1995	Koenig .....	D3/312
5,871,107 A	2/1999	Johnson et al.	
D416,421 S *	11/1999	Hampshire .....	D3/304
6,065,632 A	5/2000	Moore, Jr. et al.	
D448,299 S	9/2001	Negre	
D481,236 S	10/2003	Hunt	
D497,777 S	11/2004	Sanders et al.	



(56)

References Cited

U.S. PATENT DOCUMENTS

D564,844 S	3/2008	Schreiber-Pethan et al.	D651,467 S	1/2012	Bodum	
D579,616 S	10/2008	Li	D655,984 S	3/2012	Andreesen	
D581,279 S	11/2008	Oates	D661,948 S	6/2012	Bangert	
D581,738 S	12/2008	Bodum	D661,989 S	6/2012	Praster	
D588,913 S	3/2009	Bakic	D662,785 S	7/2012	Kern	
D590,564 S	4/2009	Dretzka	D667,240 S	9/2012	Weldon	
D593,882 S	6/2009	Scalisi	D676,710 S	2/2013	Kwok	
D594,277 S	6/2009	Snell	D680,812 S	4/2013	Justus et al.	
D607,616 S	1/2010	Newsome et al.	D685,230 S	7/2013	Hassman	
D611,769 S	3/2010	Hauser	D685,608 S	7/2013	Bangert	
D612,732 S	3/2010	Takata et al.	D685,610 S	7/2013	Bangert	
D613,127 S	4/2010	Olivari	D697,309 S *	1/2014	Baldwin	D3/304
D613,999 S	4/2010	Sierra	D698,568 S	2/2014	Chen	
D614,917 S	5/2010	Calco	D711,239 S	8/2014	Julier	
D620,764 S	8/2010	Lessells	D717,116 S	11/2014	Aslon	
D621,223 S	8/2010	Bas	D717,608 S	11/2014	Lin	
D621,665 S	8/2010	Lion et al.	D718,532 S *	12/2014	Wang	D3/304
D622,553 S	8/2010	Bollenbacher	D727,654 S *	4/2015	Tollasepp	D6/553
D626,791 S	11/2010	Sierra	D732,828 S *	6/2015	Thompson	D3/315
D628,340 S	11/2010	Krause	D733,609 S *	7/2015	Sade	D11/152
D629,264 S	12/2010	Curtin	D740,566 S *	10/2015	Szilagyi	D3/315
D632,138 S	2/2011	Carter	D742,278 S *	11/2015	Wu	D11/143
D634,165 S	3/2011	Yang	D748,991 S *	2/2016	Cerrato	D9/737
7,897,088 B2	3/2011	Mitchell	2004/0173719 A1	9/2004	Mitchell et al.	
D640,248 S	6/2011	Baumann et al.	2005/0056646 A1	3/2005	Gary	
D643,317 S	8/2011	Clear et al.	2007/0131695 A1	6/2007	Hsing-Hsien	
8,001,671 B2	8/2011	Mitchell	2008/0060204 A1	3/2008	Chen	
D645,355 S *	9/2011	D'Amato	2009/0166243 A1	7/2009	Cetera	
D646,852 S	10/2011	Chance et al.	2010/0071395 A1	3/2010	LeDoux et al.	
D648,212 S	11/2011	Golota et al.	2010/0206825 A1	8/2010	Johnston et al.	
D651,049 S	12/2011	Nakagawa	2011/0024585 A1	2/2011	Brinkdopke et al.	
			2015/0128491 A1	5/2015	Aller et al.	
			2015/0158633 A1	6/2015	Aller et al.	
			2015/0164003 A1	6/2015	Aller et al.	

\* cited by examiner

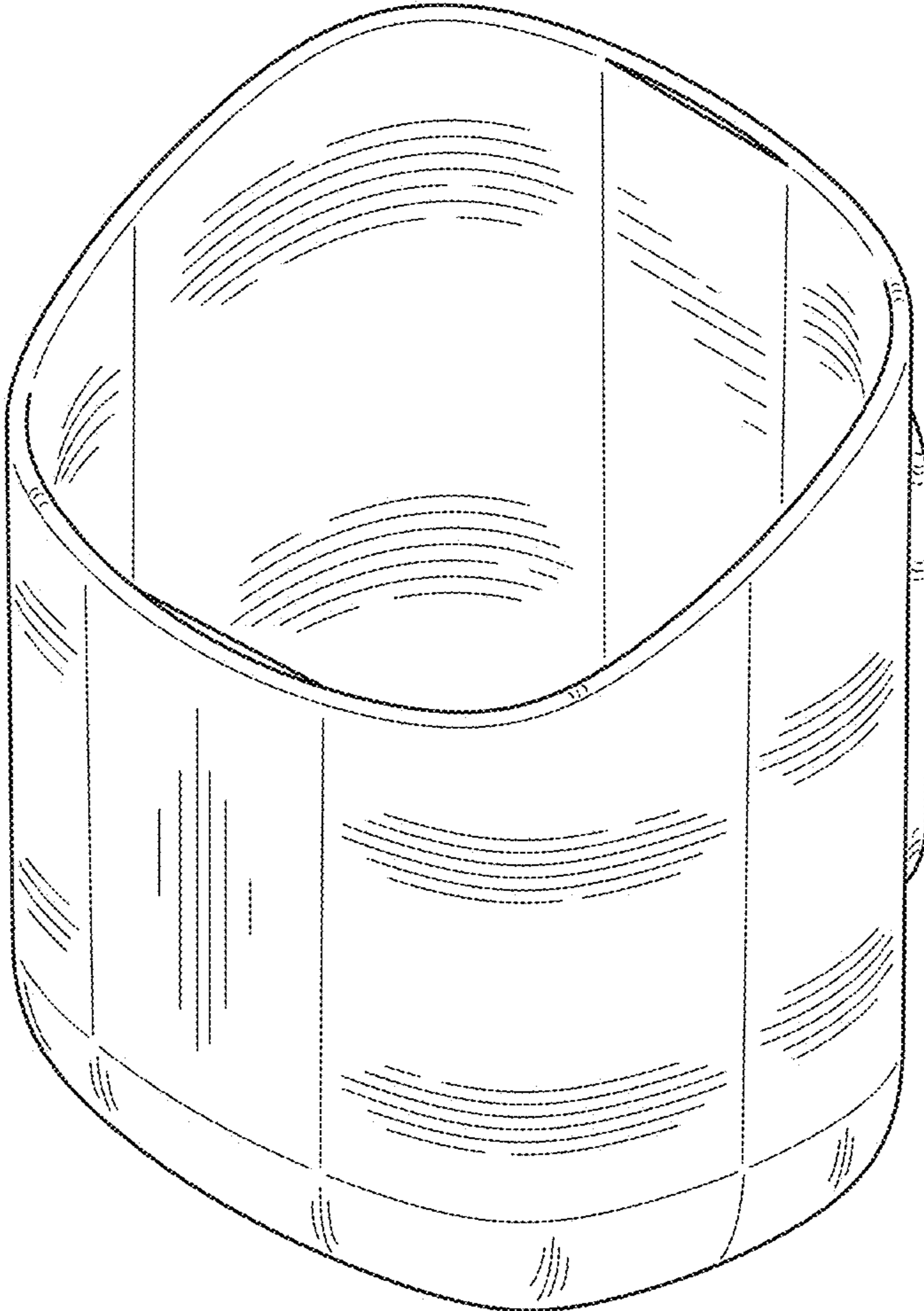


FIG.1

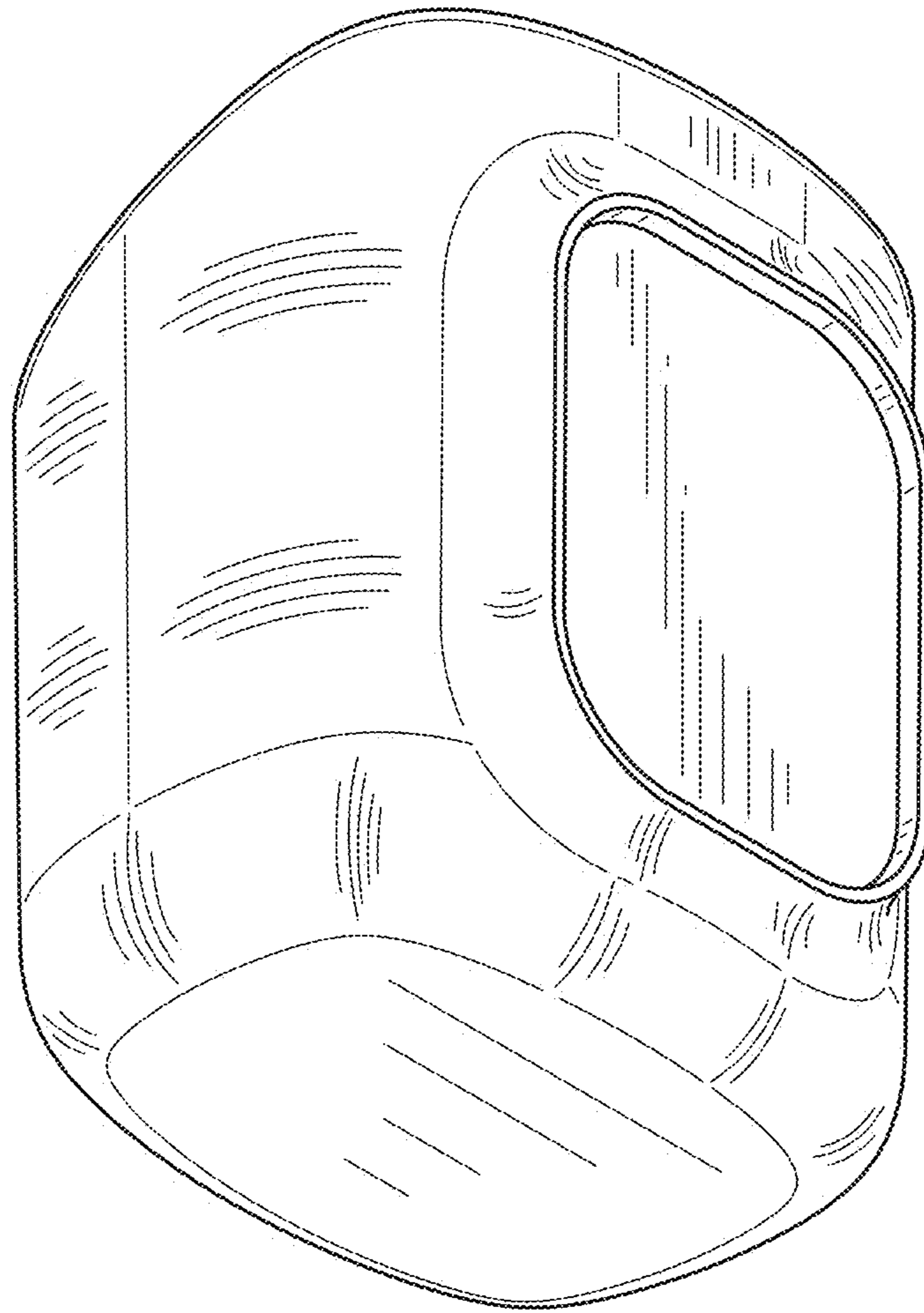


FIG.2

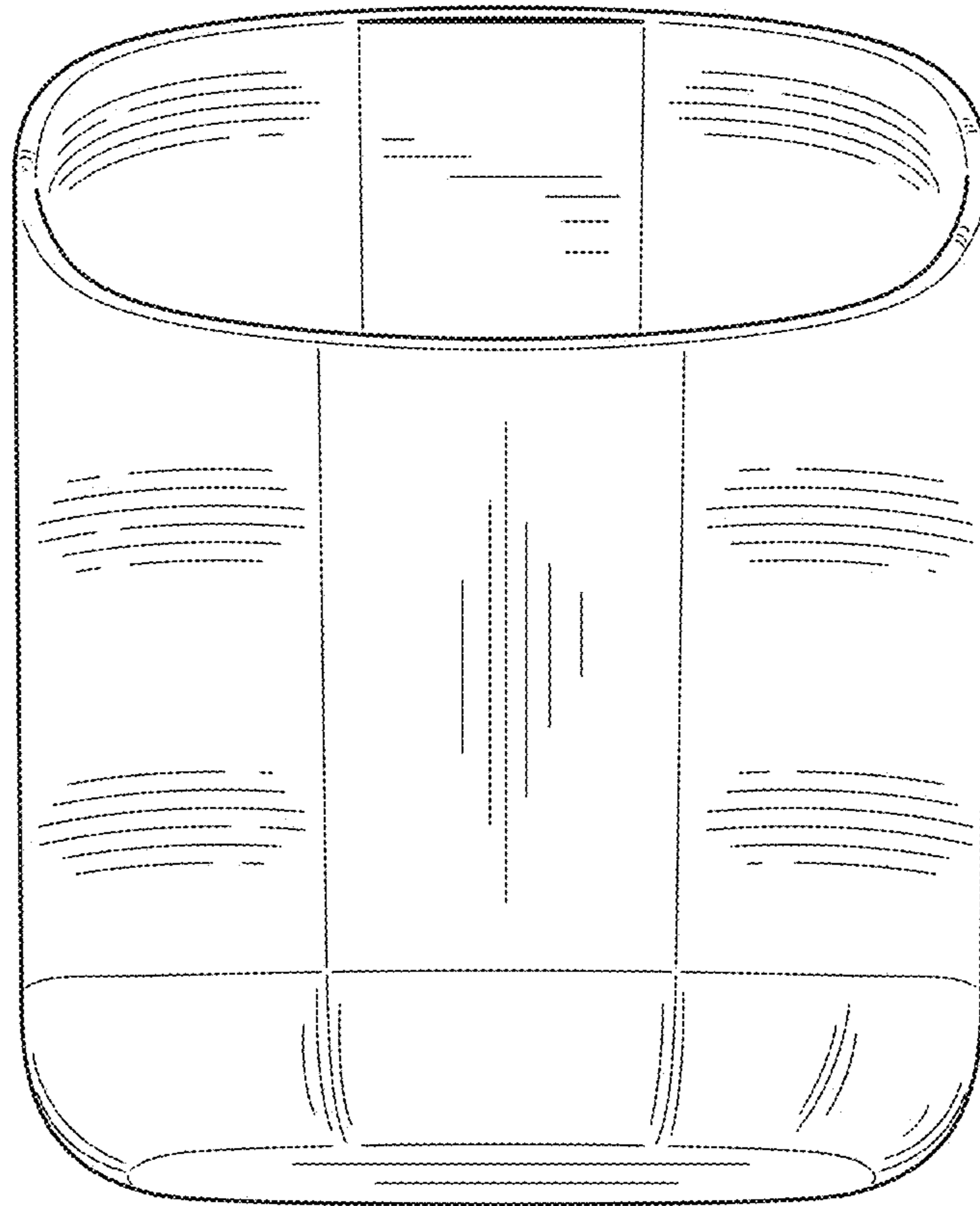


FIG.3

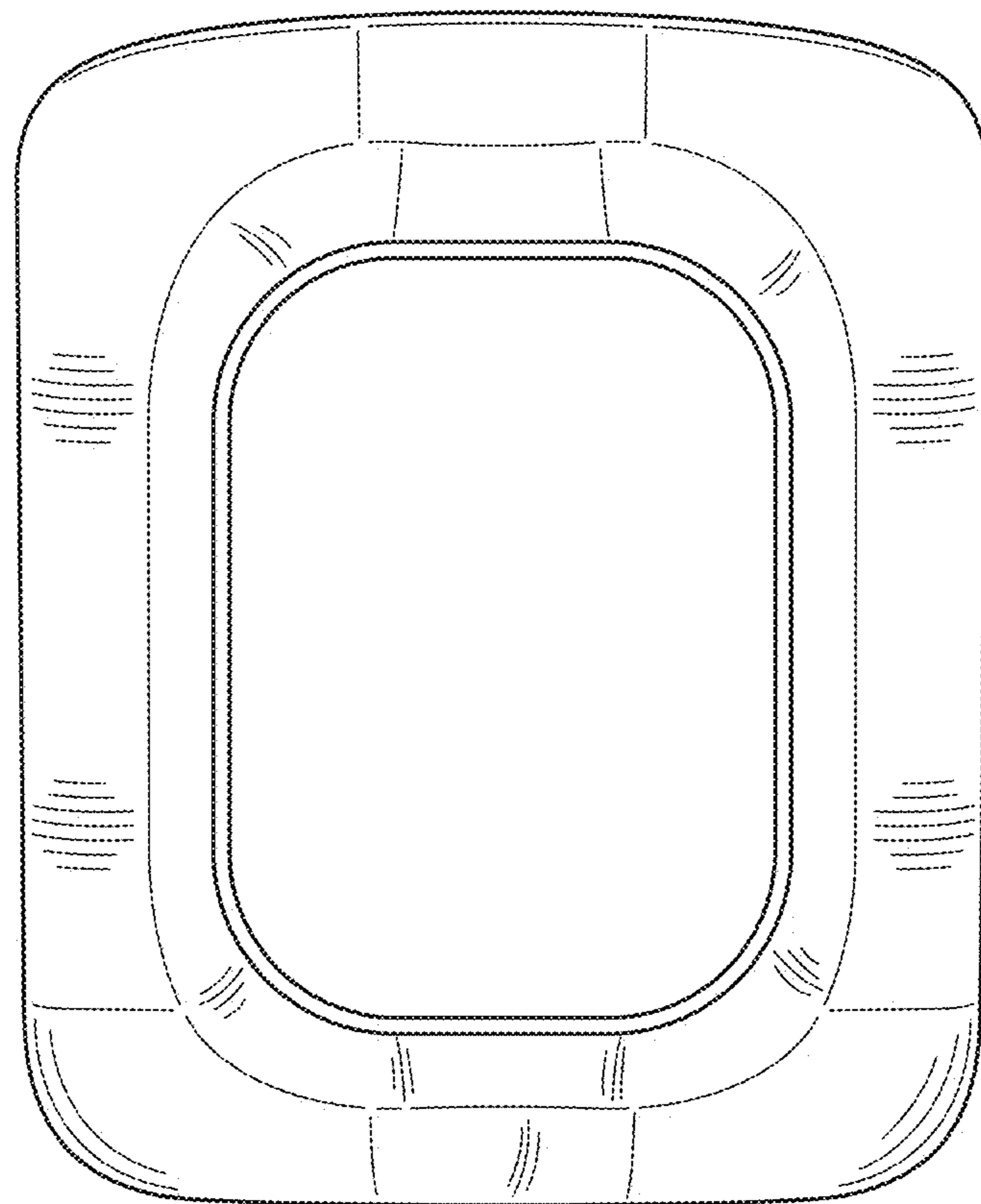


FIG.4

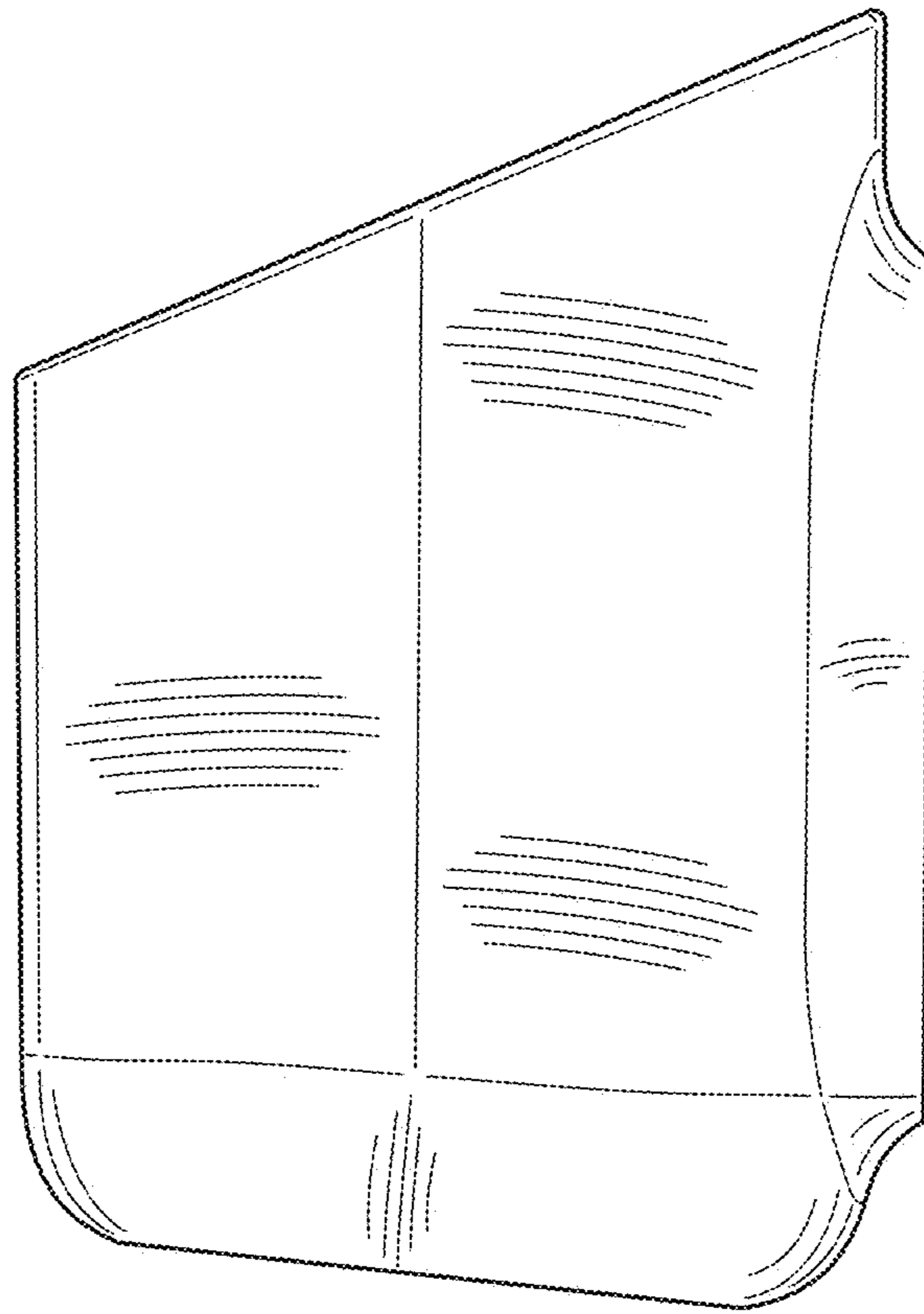


FIG.5

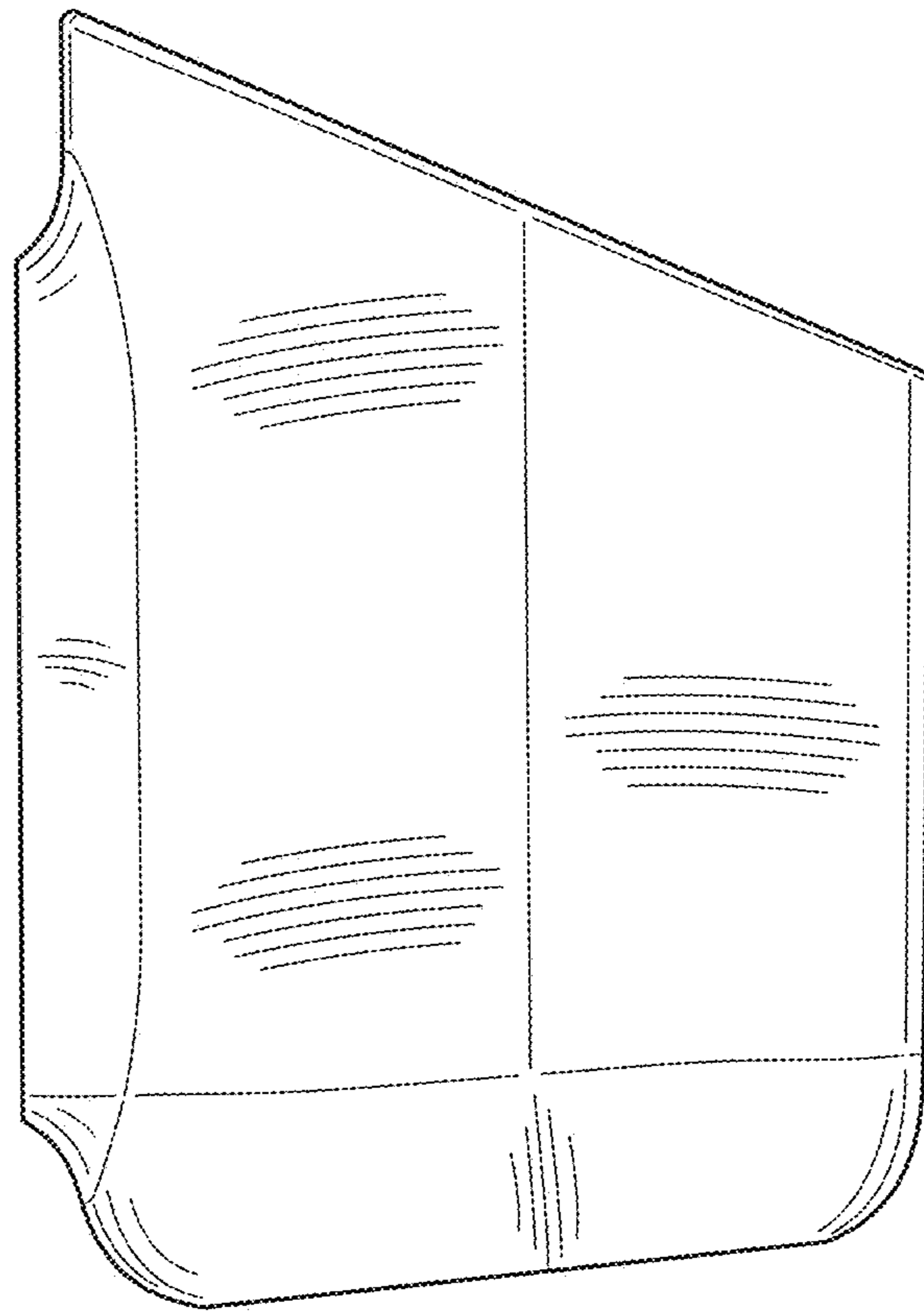


FIG.6



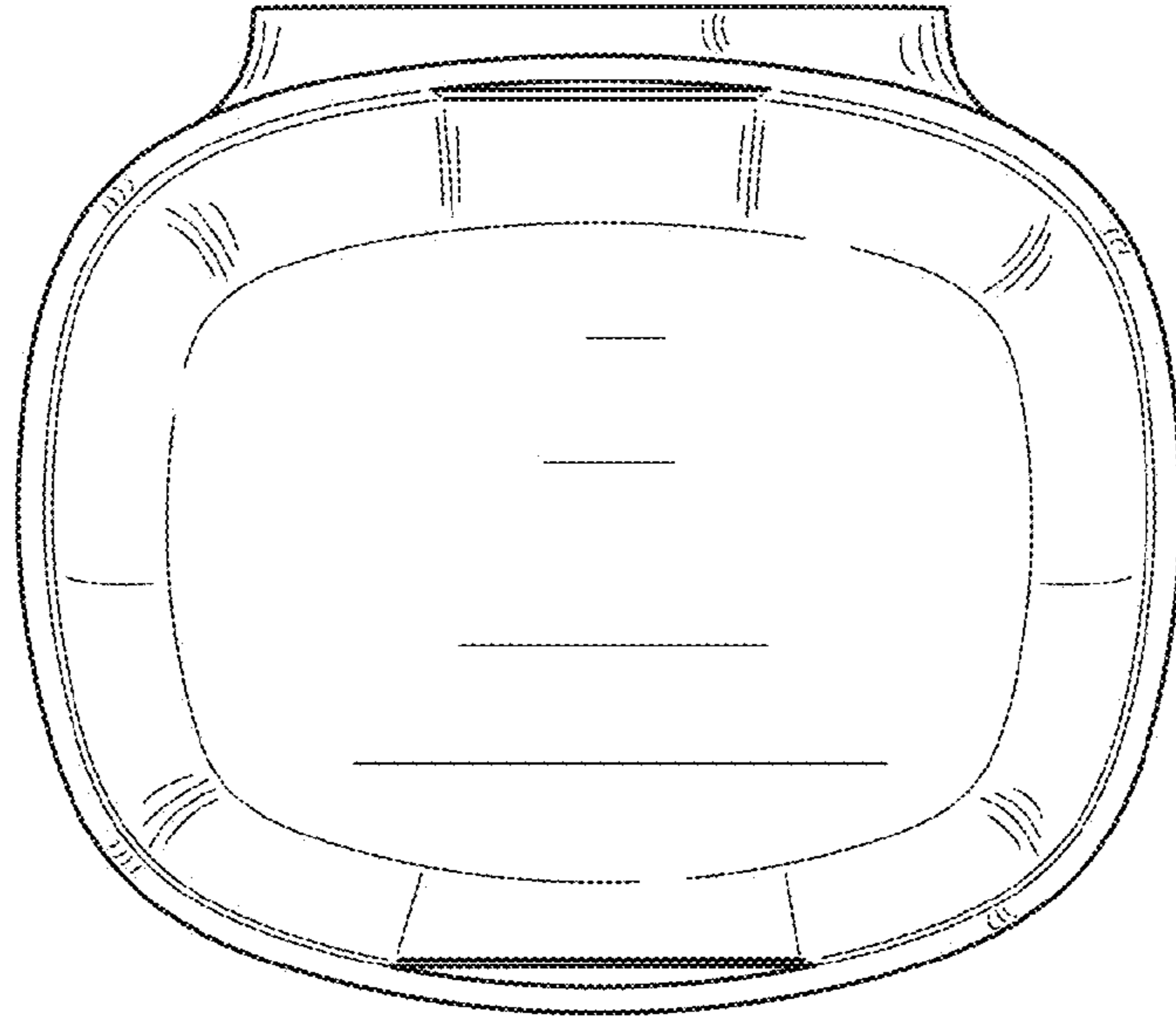


FIG. 7

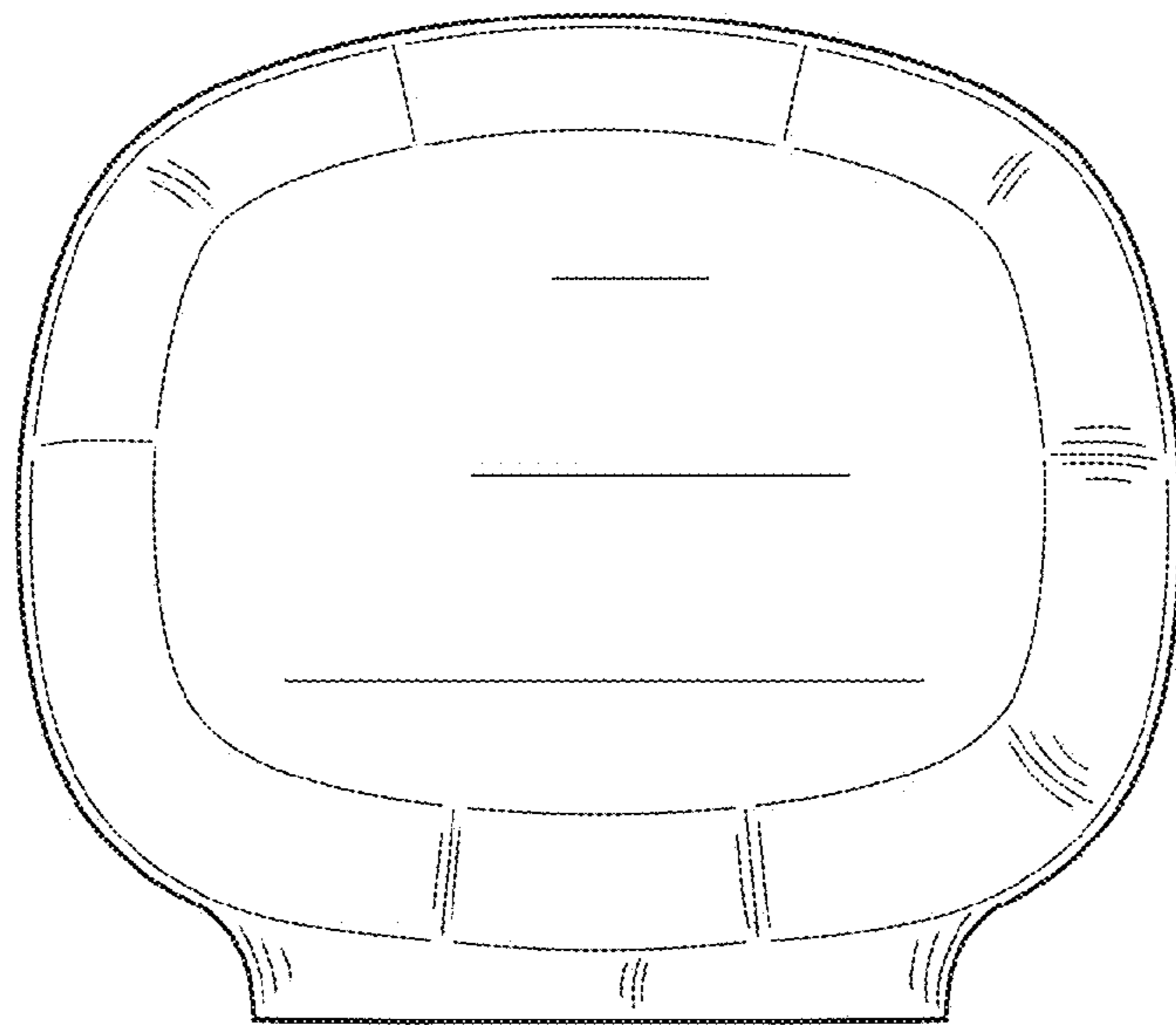


FIG. 8