

US00D762978S

(12) **United States Design Patent**
Boroski

(10) **Patent No.:** **US D762,978 S**

(45) **Date of Patent:** **** Aug. 9, 2016**

(54) **STORAGE BAG**

(71) Applicant: **Dwayne Boroski**, Lake in the Hills, IL
(US)

(72) Inventor: **Dwayne Boroski**, Lake in the Hills, IL
(US)

(73) Assignee: **THERMOS L.L.C.**, Schaumburg, IL
(US)

D371,942 S *	7/1996	Lippincott	D7/607
D376,044 S	12/1996	Trawick		
D389,305 S	1/1998	Hauschild		
D393,392 S	4/1998	Hartenstine		
5,772,066 A *	6/1998	Reynolds	A45C 7/0063 220/23.83
D398,191 S *	9/1998	Melk	D7/607
5,871,280 A	2/1999	Watters		
D423,779 S *	5/2000	Goatcher	D3/283
6,105,844 A	8/2000	Walters		
D443,417 S	6/2001	Hillman		

(Continued)

(**) Term: **14 Years**

(21) Appl. No.: **29/516,318**

(22) Filed: **Jan. 30, 2015**

(51) **LOC (10) Cl.** **03-01**

(52) **U.S. Cl.**
USPC **D3/283**

(58) **Field of Classification Search**
USPC D7/607, 709; D3/232-233, 240-243,
D3/245, 246, 289, 301, 318, 287, 283,
D3/276; 383/110, 41, 6; 206/545;
220/592.01, 592.2; 62/457.7
CPC A45C 1/024; A45C 3/06; A45C 11/20;
A45C 5/06; F25D 3/08; F25D 2331/801
See application file for complete search history.

(56) **References Cited**

U.S. PATENT DOCUMENTS

D270,873 S	10/1983	Katz	
D272,965 S	3/1984	Simon	
D280,260 S *	8/1985	Leiserson D3/267
4,541,539 A	9/1985	Matthews	
D284,333 S	6/1986	Huston	
D291,149 S	8/1987	Smith	
4,921,151 A *	5/1990	Duvall B62J 9/00 190/125
D312,530 S	12/1990	Gallen	
D336,218 S	6/1993	Hague	
D370,123 S *	5/1996	Klinger D3/231
5,526,907 A *	6/1996	Trawick A45C 3/10 190/111

FOREIGN PATENT DOCUMENTS

AU	155311 S	5/2004
AU	338281 S	8/2011

(Continued)

OTHER PUBLICATIONS

Design U.S. Appl. No. 29/516,328, filed Jan. 30, 2015 (20 pages).

(Continued)

Primary Examiner — Derrick Holland
Assistant Examiner — Jennifer O King
(74) *Attorney, Agent, or Firm* — Polsinelli PC

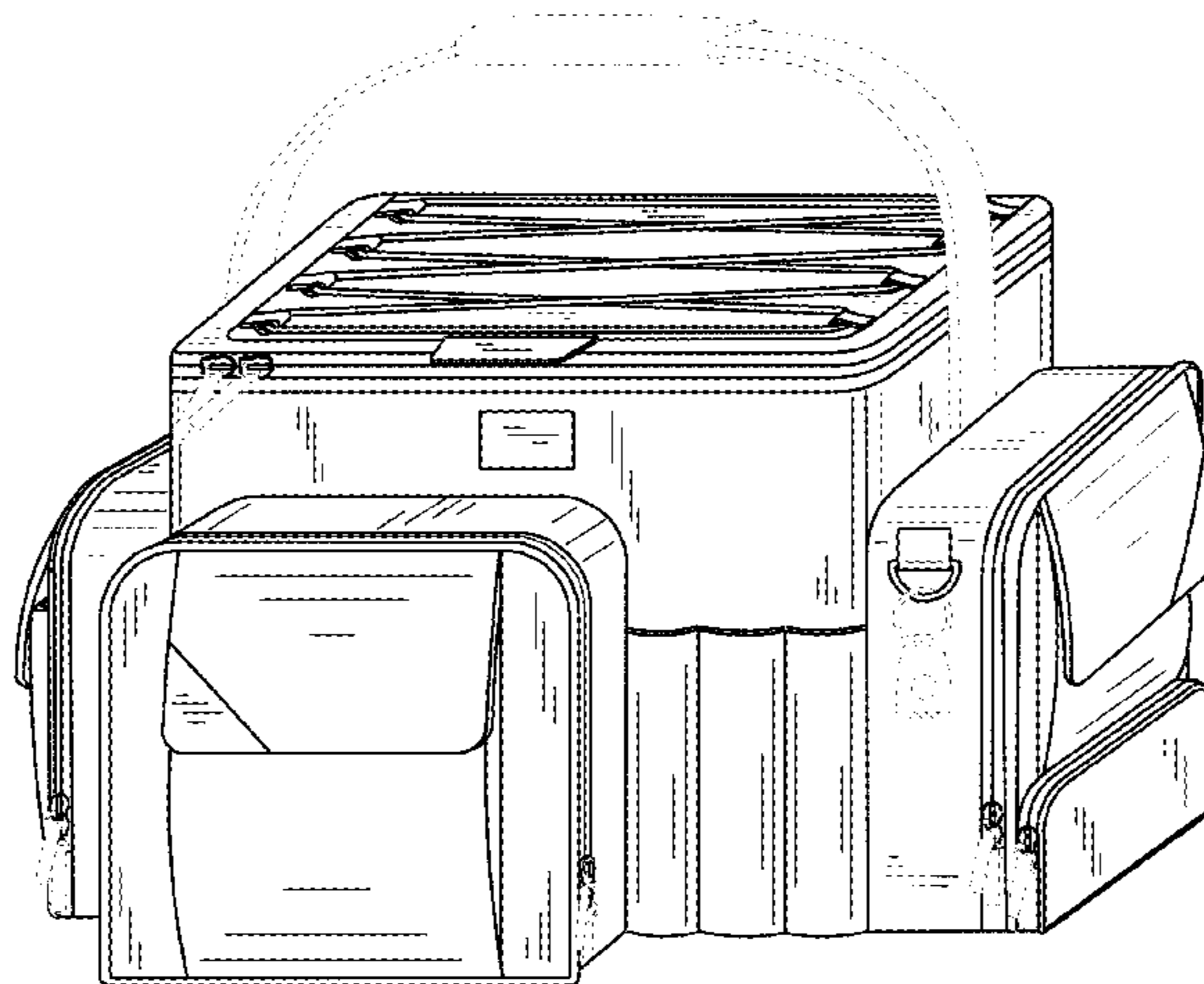
(57) **CLAIM**

The ornamental design for a storage bag, as shown and described.

DESCRIPTION

FIG. 1 is a perspective view of a storage bag;
FIG. 2 is a front view thereof;
FIG. 3 is a rear view thereof;
FIG. 4 is a right side view thereof;
FIG. 5 is a left side view thereof;
FIG. 6 is a top view thereof; and,
FIG. 7 is a bottom view thereof.
The broken lines shown represent unclaimed subject matter and form no part of the claimed design.

1 Claim, 7 Drawing Sheets



(56)

References Cited

U.S. PATENT DOCUMENTS

D447,340 S * 9/2001 Snider D3/276
 D447,667 S 9/2001 Schneider et al.
 D465,134 S 11/2002 Joss
 6,474,097 B2 11/2002 Treppedi et al.
 6,478,463 B2 * 11/2002 Snider A45C 13/02
 206/373
 D468,533 S 1/2003 MacRae et al.
 D471,012 S 3/2003 Peterson
 D472,380 S 4/2003 Hillman
 D478,782 S 8/2003 Li
 6,609,626 B2 * 8/2003 Young A45C 13/002
 150/154
 D485,732 S 1/2004 Lanman et al.
 D494,757 S * 8/2004 Hinds D3/287
 6,821,019 B2 11/2004 Mogil
 D501,603 S 2/2005 Shamas
 D526,484 S 8/2006 Flint
 D542,031 S 5/2007 Zapata
 D560,450 S 1/2008 Tagliati
 7,313,927 B2 * 1/2008 Barker F25D 3/08
 62/457.2
 D572,980 S 7/2008 Griffard
 D573,422 S 7/2008 Tagliati et al.
 D574,667 S 8/2008 Grabijas, III et al.
 D575,059 S 8/2008 Cappiello et al.
 D602,688 S 10/2009 Smith

D608,096 S 1/2010 Noble
 D608,159 S 1/2010 Whitlock et al.
 D641,162 S * 7/2011 Houston D3/283
 D647,301 S 10/2011 Sosnovsky
 D648,533 S 11/2011 Sosnovsky
 8,096,442 B2 * 1/2012 Ramundi A45C 7/0077
 190/107
 D662,710 S * 7/2012 Fraiman D3/283
 8,348,510 B2 1/2013 Mogil
 D692,661 S 11/2013 Gupton, Jr.
 D715,046 S * 10/2014 Stewart D3/232
 8,857,654 B2 10/2014 Mogil et al.

FOREIGN PATENT DOCUMENTS

AU 355476 S 5/2014
 CA 101590 5/2005
 CA 135166 4/2011
 CA 142370 5/2012

OTHER PUBLICATIONS

Design U.S. Appl. No. 29/516,322, filed Jan. 30, 2015 (20 pages).
 Design U.S. Appl. No. 29/516,325, filed Jan. 30, 2015 (20 pages).
 U.S. Appl. No. 29/516,322 Notice of Allowance issued May 24, 2016
 (16 pages).
 U.S. Appl. No. 29/516,325 Notice of Allowance mailed May 18,
 2016 (13 pages).

* cited by examiner

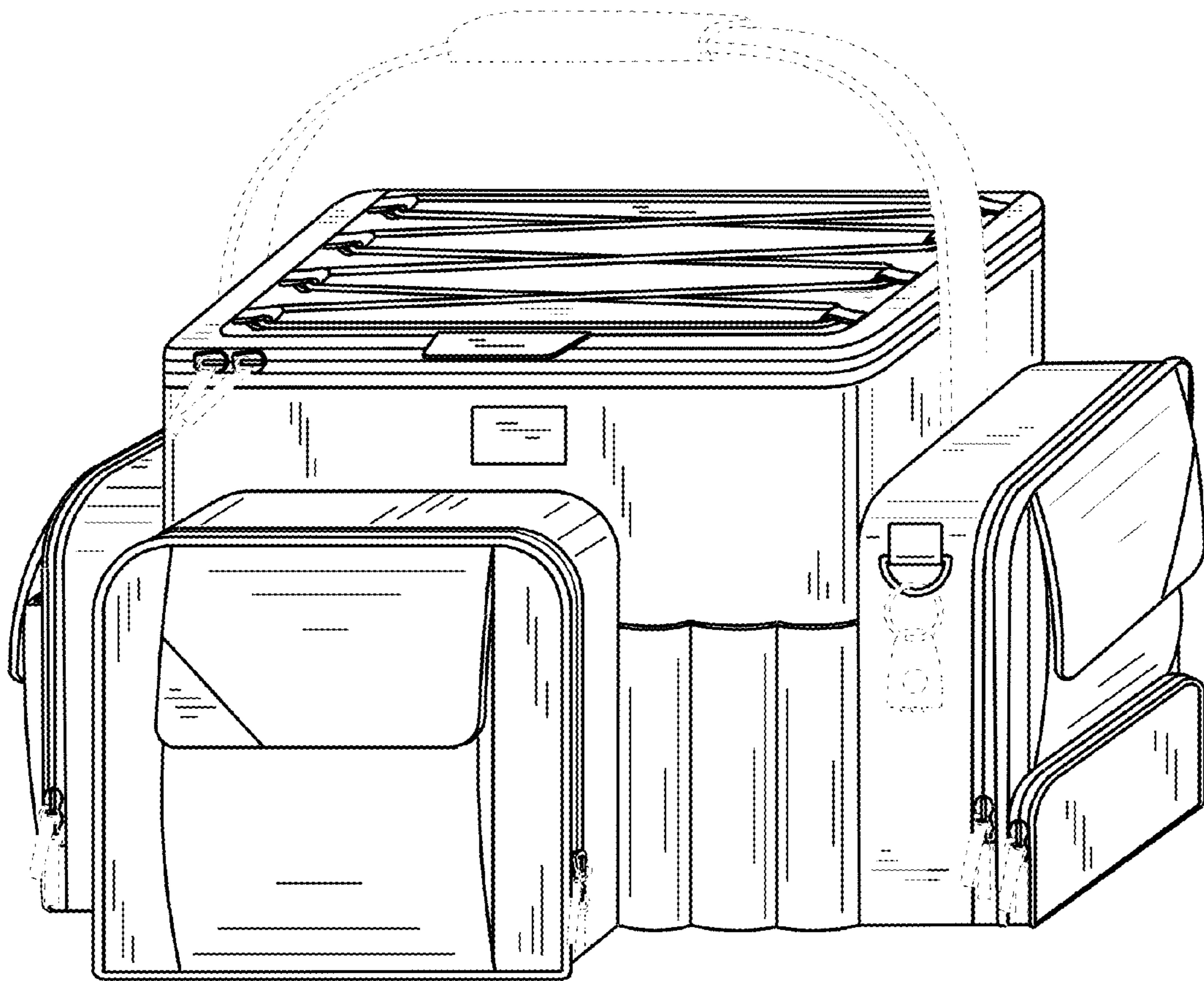


FIG. 1

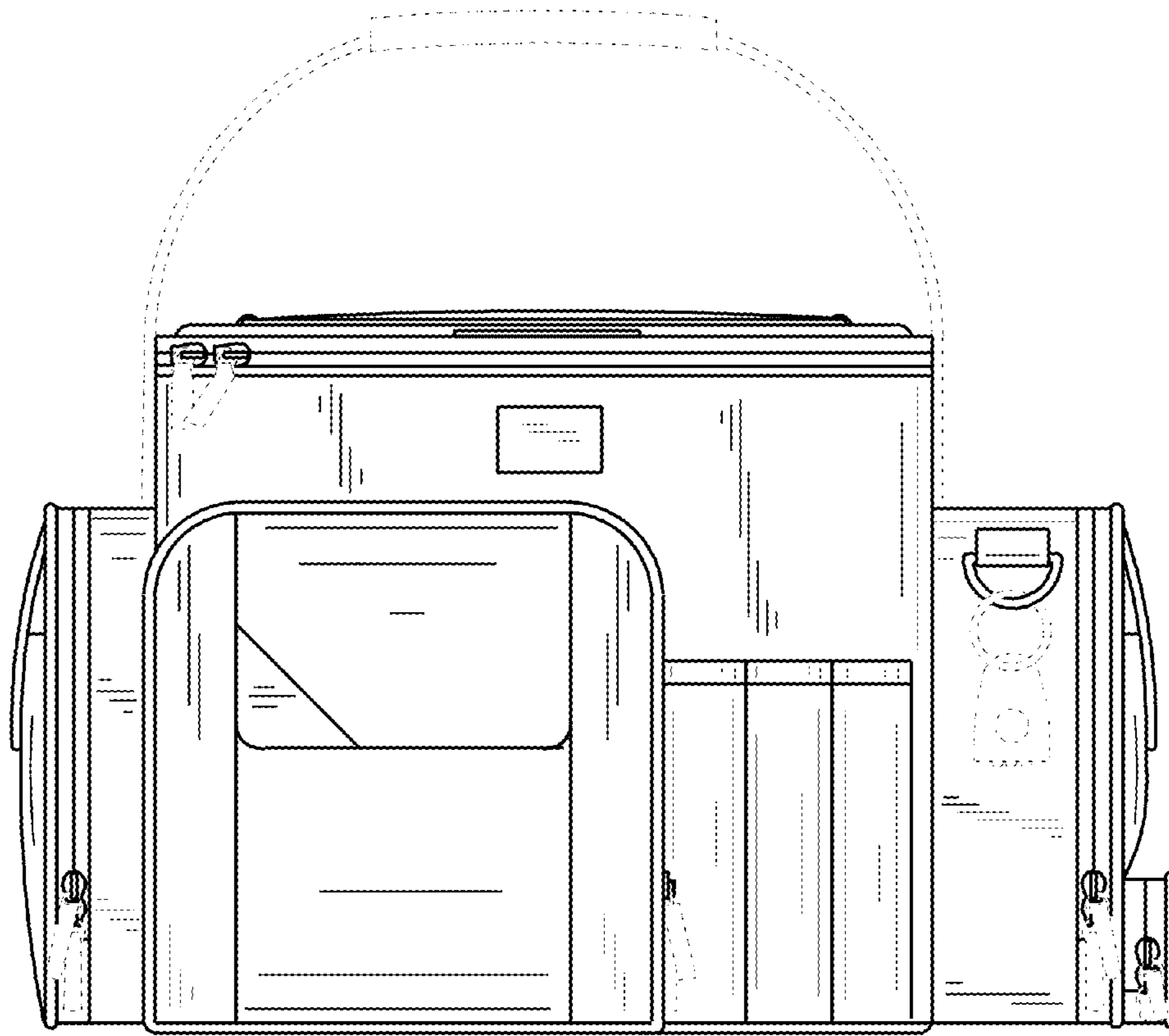


FIG. 2

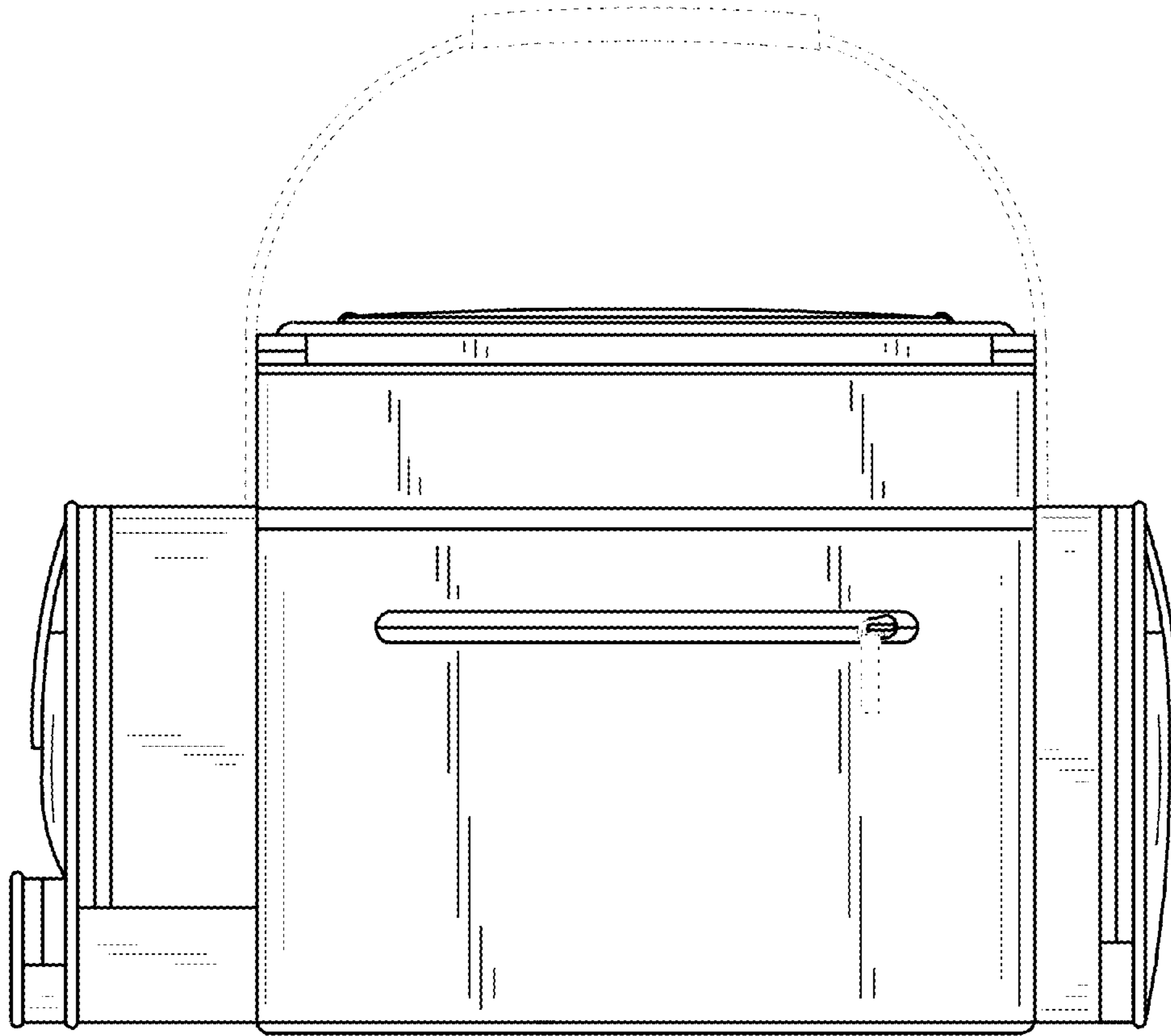


FIG. 3

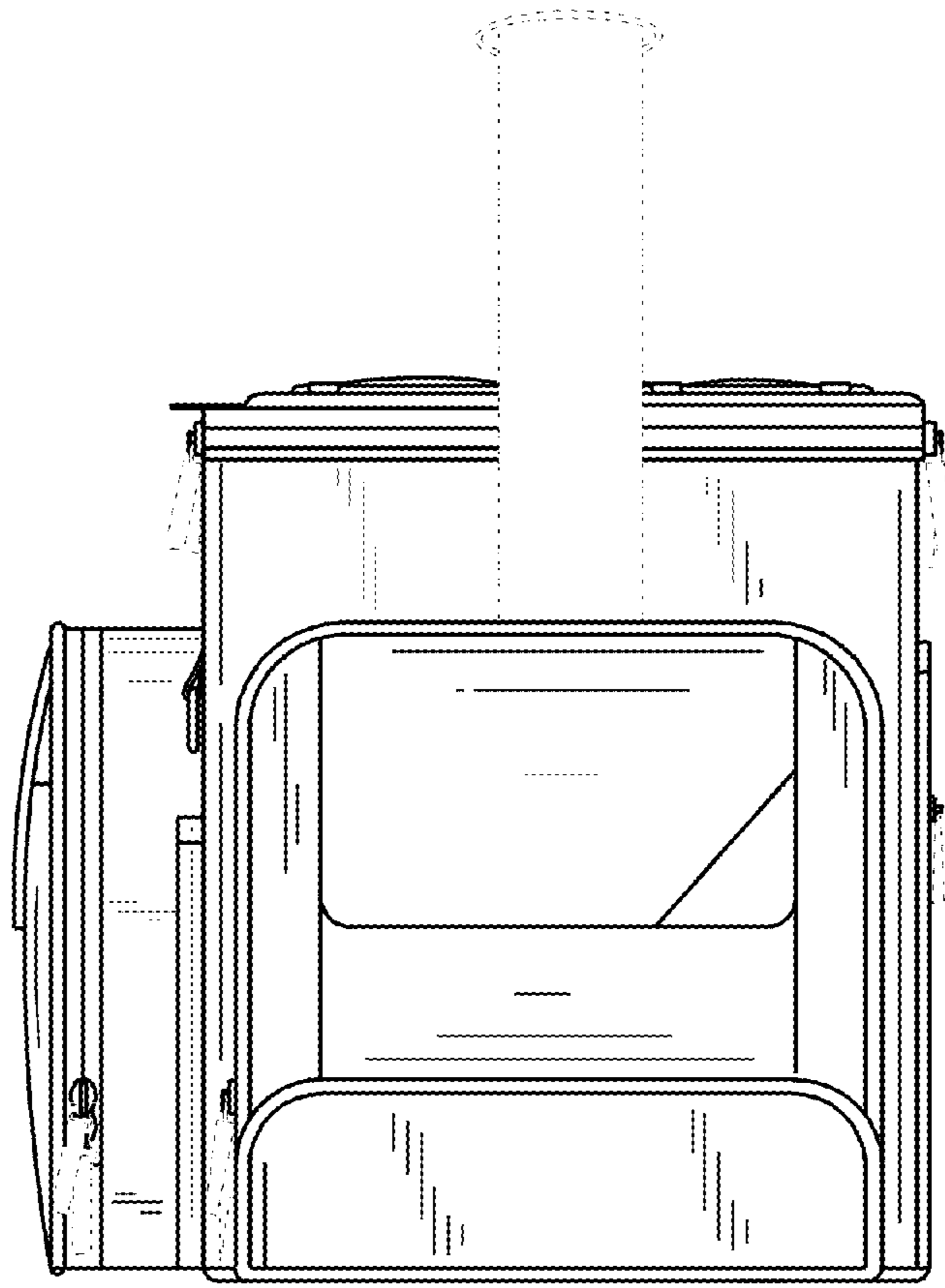


FIG. 4

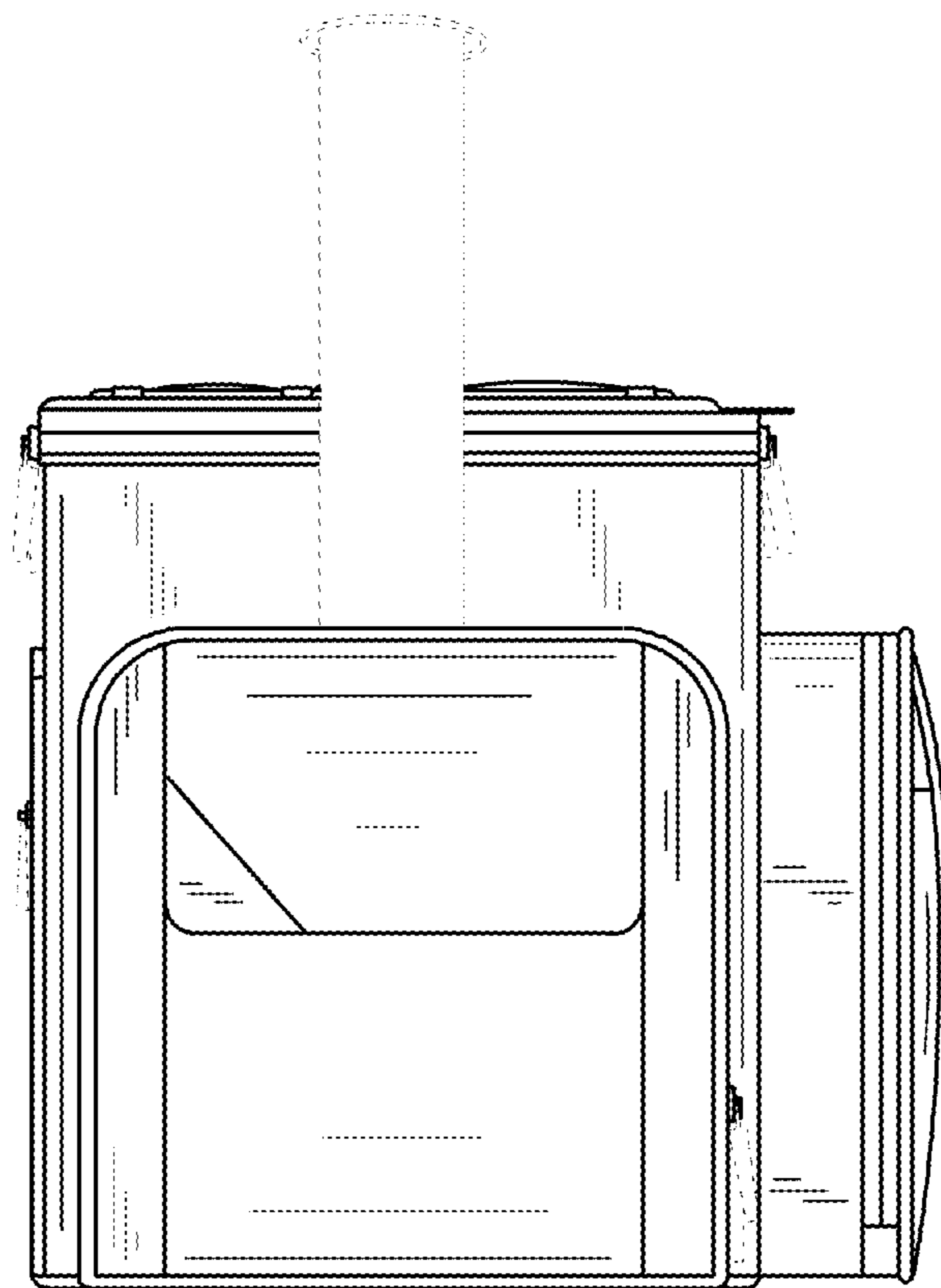


FIG. 5

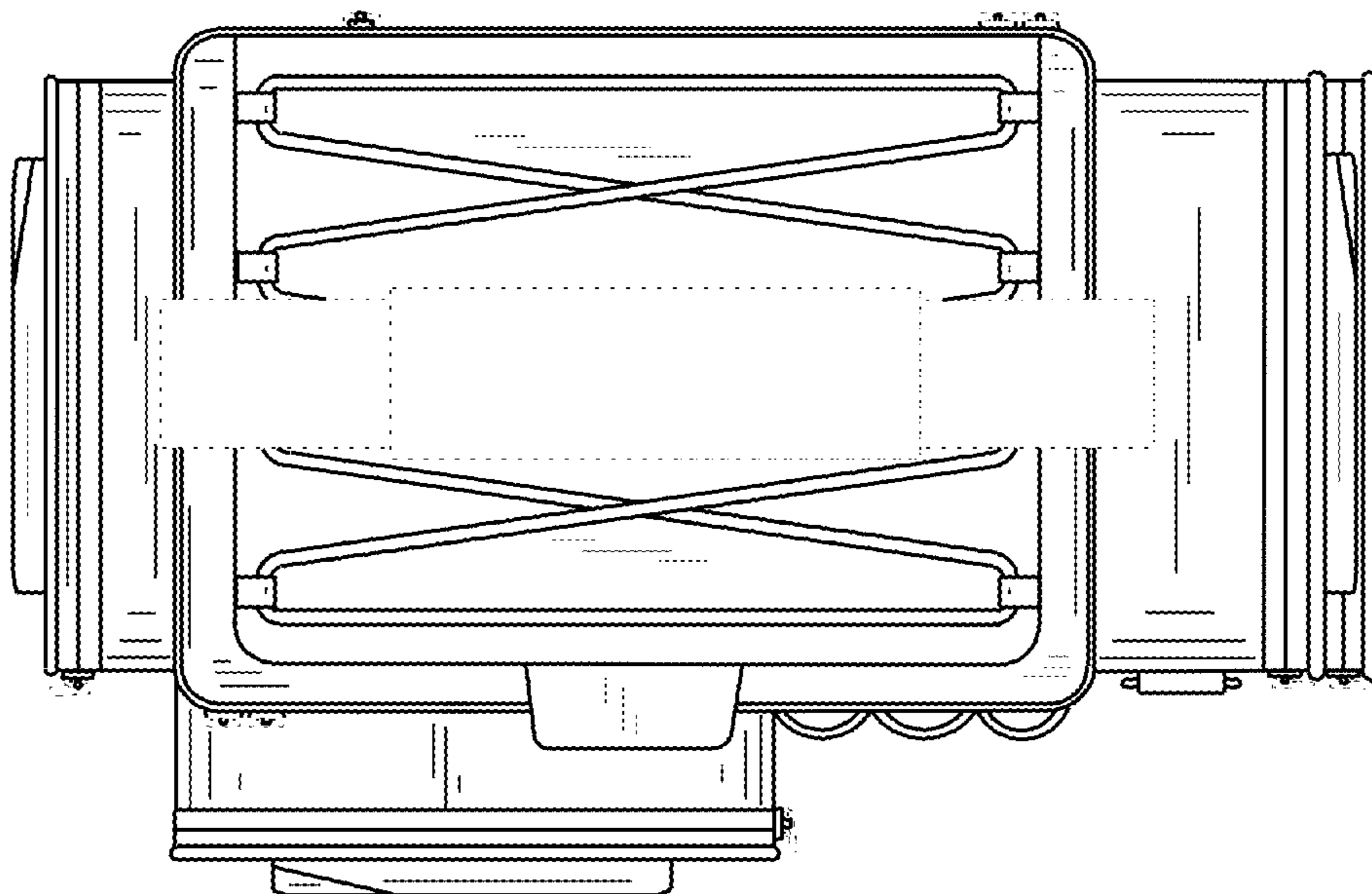


FIG. 6

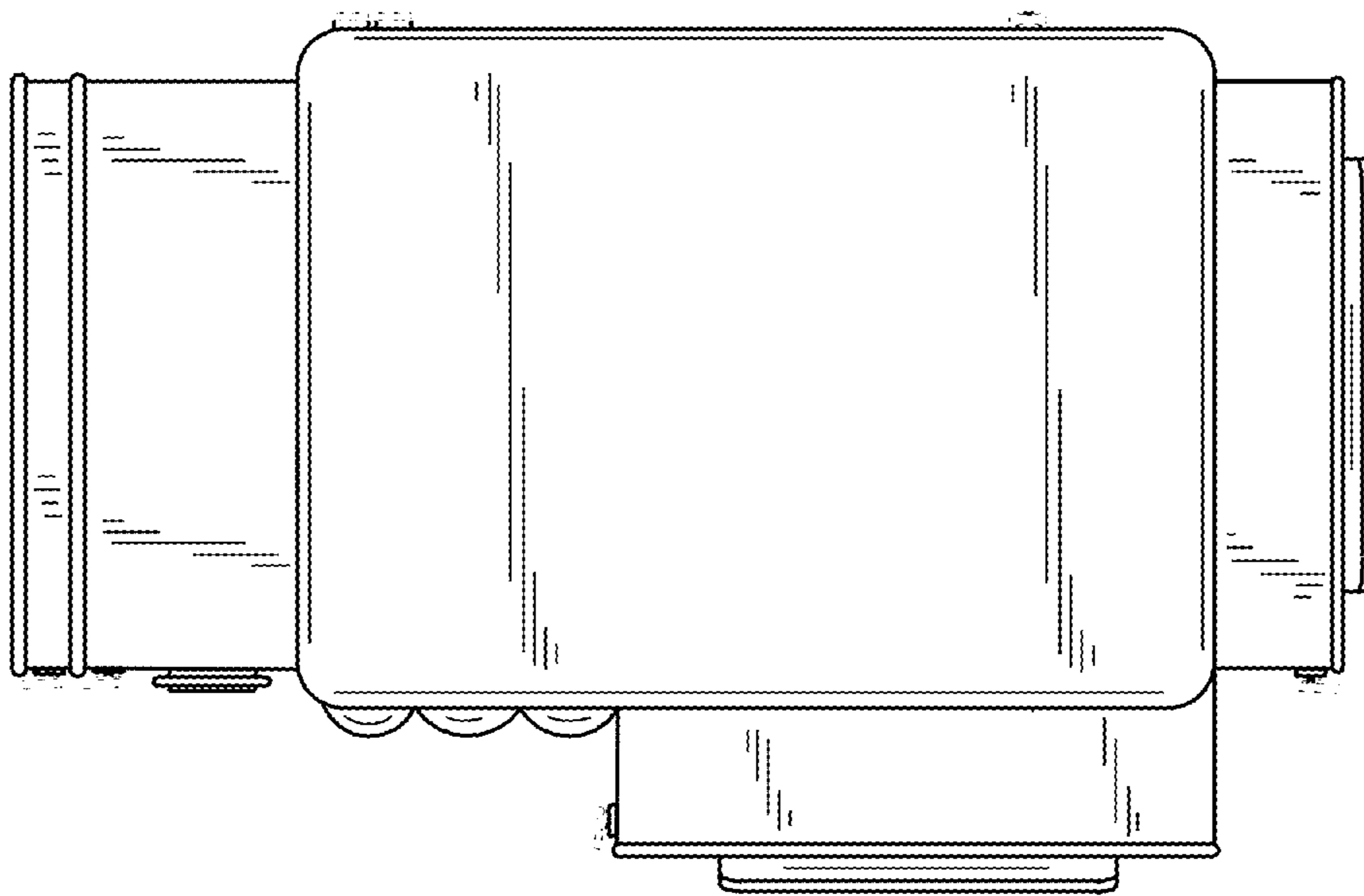


FIG. 7