

US00D762971S

(12) **United States Design Patent**
Gronewoller et al.

(10) **Patent No.:** **US D762,971 S**

(45) **Date of Patent:** **** Aug. 9, 2016**

(54) **ARMBAND FOR HOLDING AN ELECTRONIC DEVICE**

(71) Applicant: **OTTER PRODUCTS, LLC**, Fort Collins, CO (US)

(72) Inventors: **Peter J. Gronewoller**, Fort Collins, CO (US); **W. Travis Smith**, Fort Collins, CO (US); **Carlton R. Lay**, Fort Collins, CO (US); **Lucas B. Weller**, Fort Collins, CO (US)

(73) Assignee: **OTTER PRODUCTS, LLC**, Fort Collins, CO (US)

(**) Term: **14 Years**

(21) Appl. No.: **29/514,638**

(22) Filed: **Jan. 14, 2015**

(51) **LOC (10) Cl.** **03-01**

(52) **U.S. Cl.**
USPC **D3/218**

(58) **Field of Classification Search**
USPC D3/218-219, 215; 224/219, 222, 267, 224/269, 197, 221, 240, 245, 250, 575, 224/930; 455/575.1-575.8
CPC A45C 1/04; A45F 5/00; A45F 2200/0508; A45F 2200/0516; A45F 2205/008; A45F 5/021

See application file for complete search history.

(56) **References Cited**

U.S. PATENT DOCUMENTS

4,136,805	A *	1/1979	Storms	A45F 5/00 224/219
4,509,667	A *	4/1985	Meldrum	A45F 5/00 224/222
D655,081	S *	3/2012	Maravilla	D3/218
D716,040	S *	10/2014	Soriano	D3/218
D752,857	S *	4/2016	Morgan	D3/218
D753,386	S *	4/2016	Pan	D3/218

* cited by examiner

Primary Examiner — Catheri Oliver-Garcia

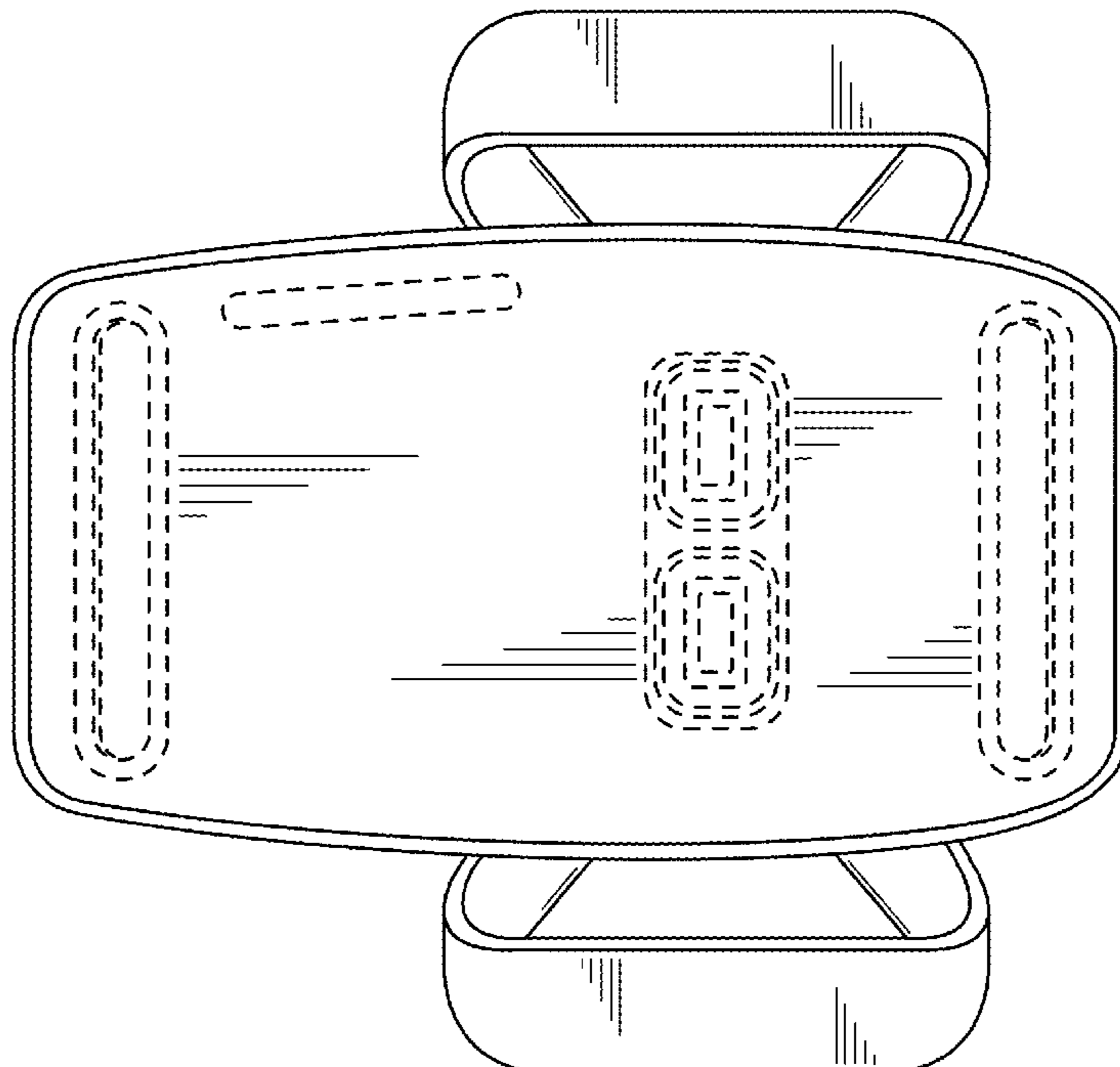
(57) **CLAIM**

The ornamental design for an armband for holding an electronic device, as shown and described.

DESCRIPTION

FIG. 1 is a bottom plan view of an armband for holding an electronic device showing our new design; FIG. 2 is a top plan view thereof; FIG. 3 is a right elevation view thereof; FIG. 4 is a left elevation view thereof; FIG. 5 is a front elevation view thereof; and, FIG. 6 is a rear elevation view. The broken lines depict environment and form no part of the claimed design.

1 Claim, 6 Drawing Sheets



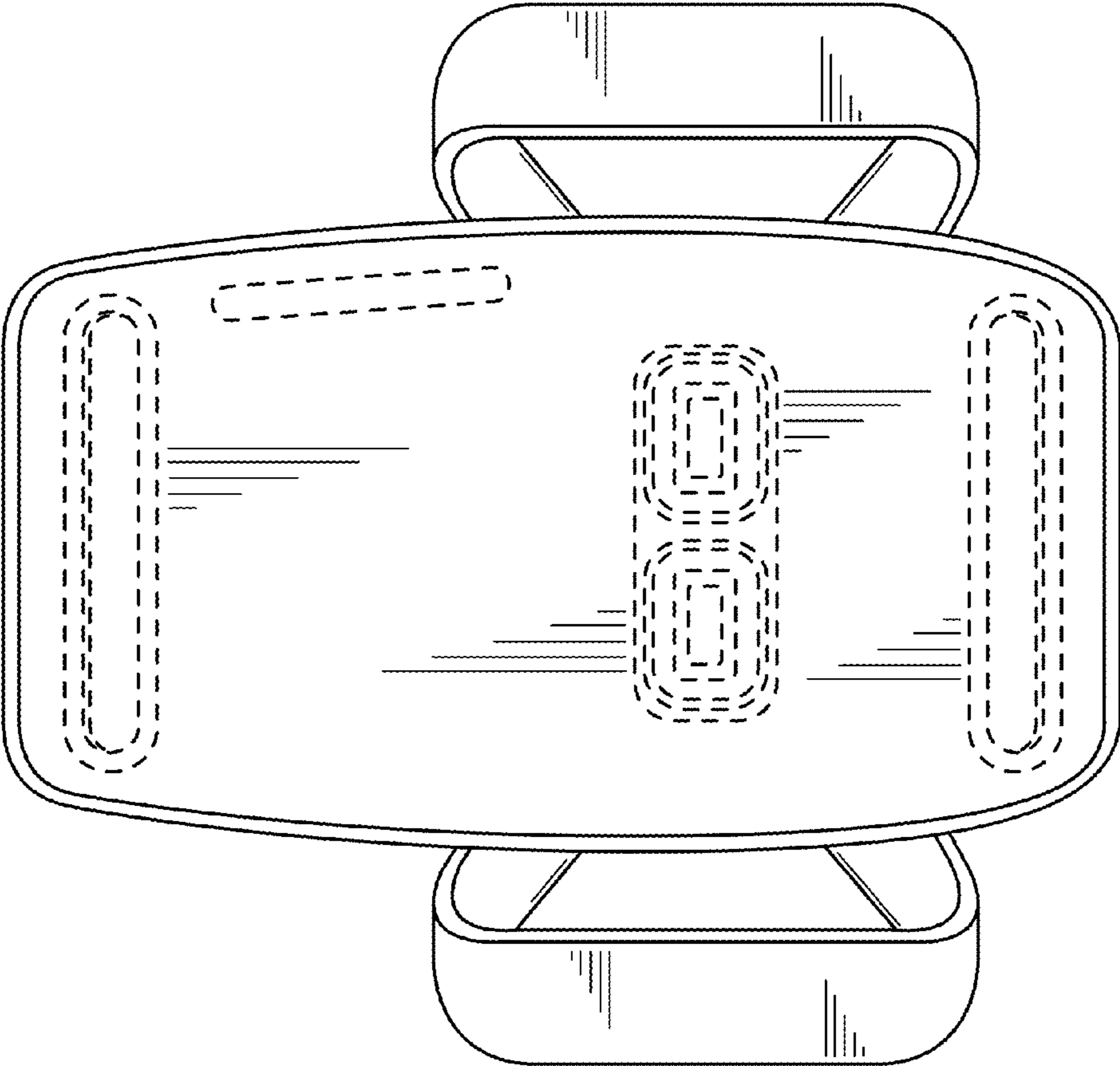


FIG. 1

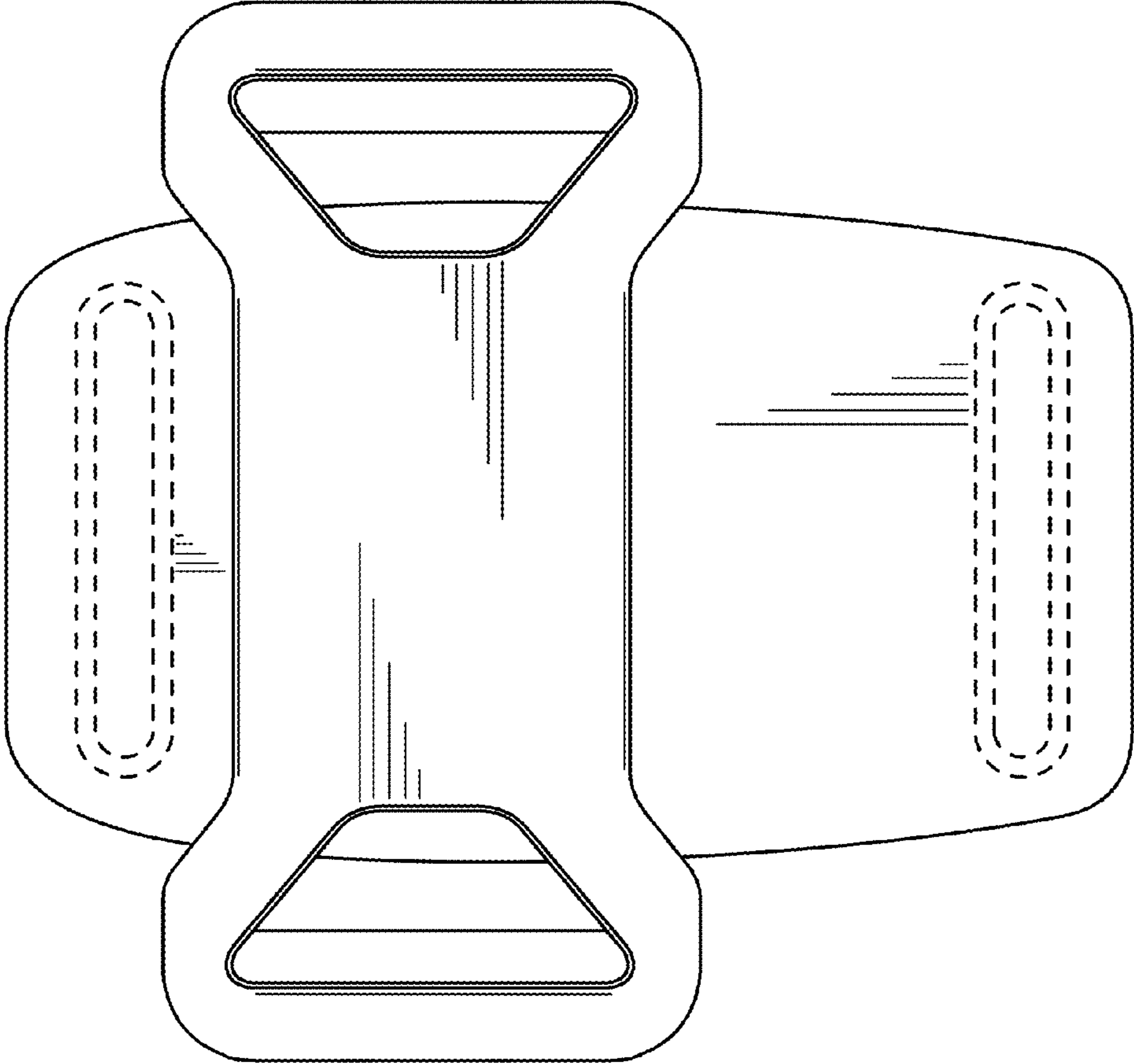


FIG. 2

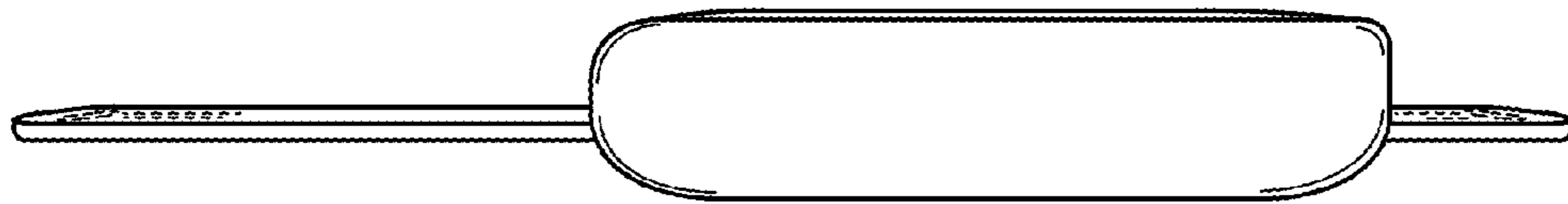


FIG. 3

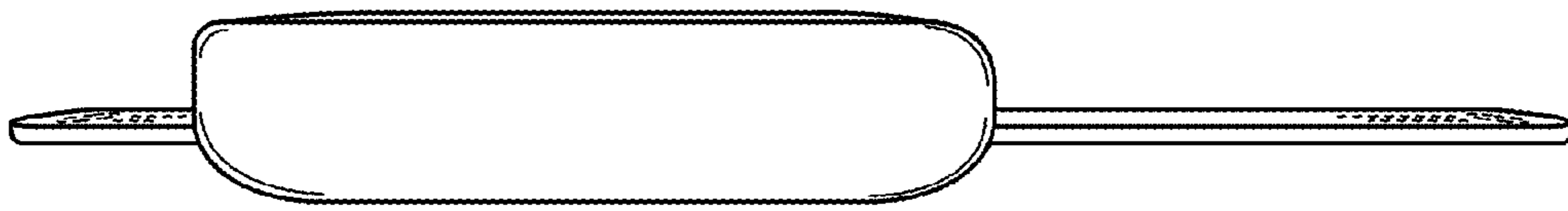


FIG. 4

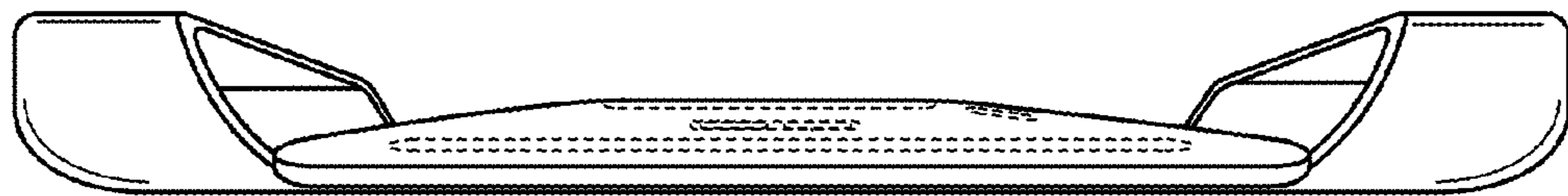


FIG. 5

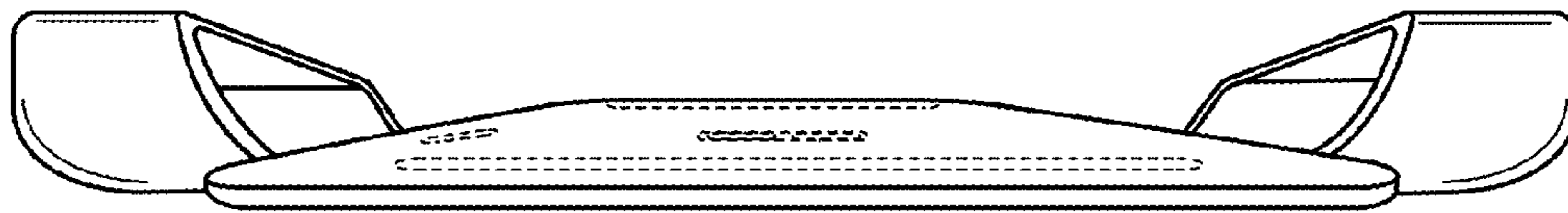


FIG. 6