

US00D762967S

(12) **United States Design Patent**  
**Reaux**

(10) **Patent No.:** **US D762,967 S**  
(45) **Date of Patent:** **\*\* Aug. 9, 2016**

- (54) **SPORTS MESH JERSEY BOOT TOPPER**
- (71) Applicant: **Brian K. Reaux**, Red Oak, TX (US)
- (72) Inventor: **Brian K. Reaux**, Red Oak, TX (US)
- (73) Assignee: **Brian K. Reaux**, Red Oak, TX (US)
- (\*\*) Term: **15 Years**
- (21) Appl. No.: **29/505,163**
- (22) Filed: **Jun. 24, 2015**
- (51) **LOC (10) Cl.** ..... **02-04**
- (52) **U.S. Cl.**  
USPC ..... **D2/976**
- (58) **Field of Classification Search**  
USPC ..... D2/896, 946, 909-912, 970, 976, 980,  
D2/858, 625, 983  
CPC ..... A43B 23/04; A43B 23/07; A43B 3/0078;  
A43B 3/0084; A43B 3/02; A43B 3/24;  
A43B 3/242; A43B 3/00; A43B 3/04; A43B  
3/06; A43B 3/08; A43B 23/00; A41D 17/00;  
A41D 17/005; A41D 17/02; A41D 17/04;  
A41D 13/06; A41D 13/065; A41D 13/08;  
A41D 13/088; A41D 27/10; A43C 11/02;  
A43C 19/00; A41B 7/00; A41B 7/10; A41B  
7/12  
See application file for complete search history.

D156,649	S	*	12/1949	Miller	.....	36/2 R
3,338,237	A	*	8/1967	Sconce	.....	A61F 5/05816 128/DIG. 20
3,435,544	A	*	4/1969	Lish	.....	A43B 3/02 2/62
3,601,909	A	*	8/1971	Amendola	.....	A43B 3/0078 36/44
D222,224	S	*	10/1971	Mickens	.....	D2/901
4,771,553	A	*	9/1988	Smithdeal	.....	A43D 3/1416 12/128 R
D345,252	S	*	3/1994	Randall	.....	D2/901
5,501,022	A	*	3/1996	Cohn	.....	A41D 17/00 36/100
D386,297	S	*	11/1997	Minnick	.....	D2/901
D390,350	S	*	2/1998	Menelly	.....	D2/975
D396,740	S	*	8/1998	Magliulo	.....	D2/901
D440,030	S	*	4/2001	Revis	.....	D2/901
D498,348	S	*	11/2004	Hunt	.....	D2/917
D505,777	S	*	6/2005	Dunlap	.....	D2/901
D546,529	S	*	7/2007	Myskiw	.....	D2/901
D572,891	S	*	7/2008	Choi	.....	D2/970
D578,297	S	*	10/2008	Choi	.....	D2/970
D734,595	S	*	7/2015	Brown	.....	D2/901
D743,160	S	*	11/2015	Wise	.....	D2/976
D744,226	S	*	12/2015	Wise	.....	D2/976

\* cited by examiner

*Primary Examiner* — Elizabeth J Oswecki

(57) **CLAIM**

The ornamental design for a sports mesh jersey boot topper, as shown and described.

**DESCRIPTION**

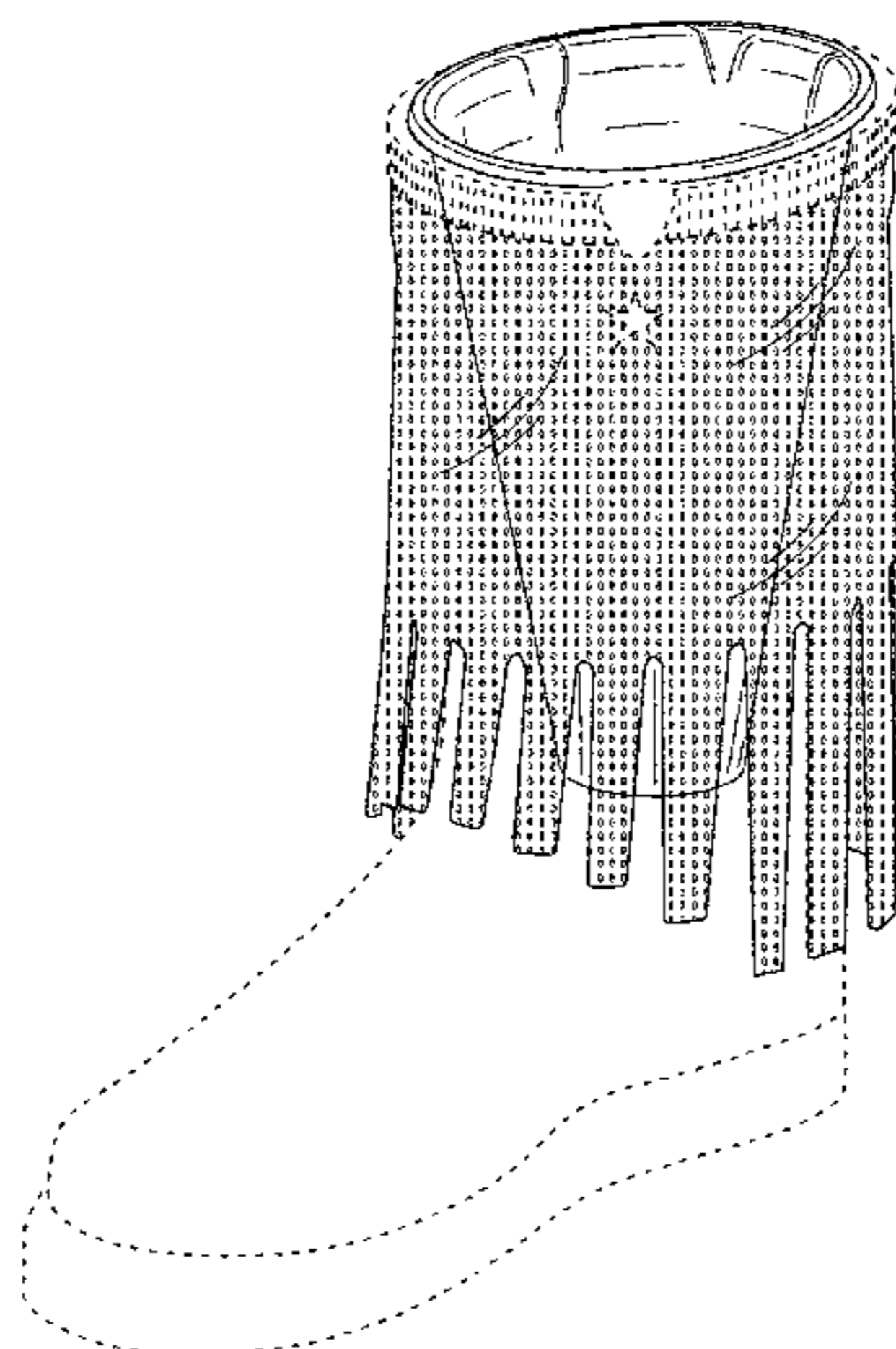
FIG. 1 is a perspective view of a sports mesh jersey boot topper, showing my new design in a used condition with a boot shown in broken lines;  
 FIG. 2 is a front elevational view thereof;  
 FIG. 3 is a rear elevational view thereof;  
 FIG. 4 is a left side elevational view thereof, the right side elevational view being a mirror image thereof; and,  
 FIG. 5 is a top plan view thereof.  
 The broken lines shown in the drawings represent portions of the sports mesh jersey boot topper that form no part of the claimed design.

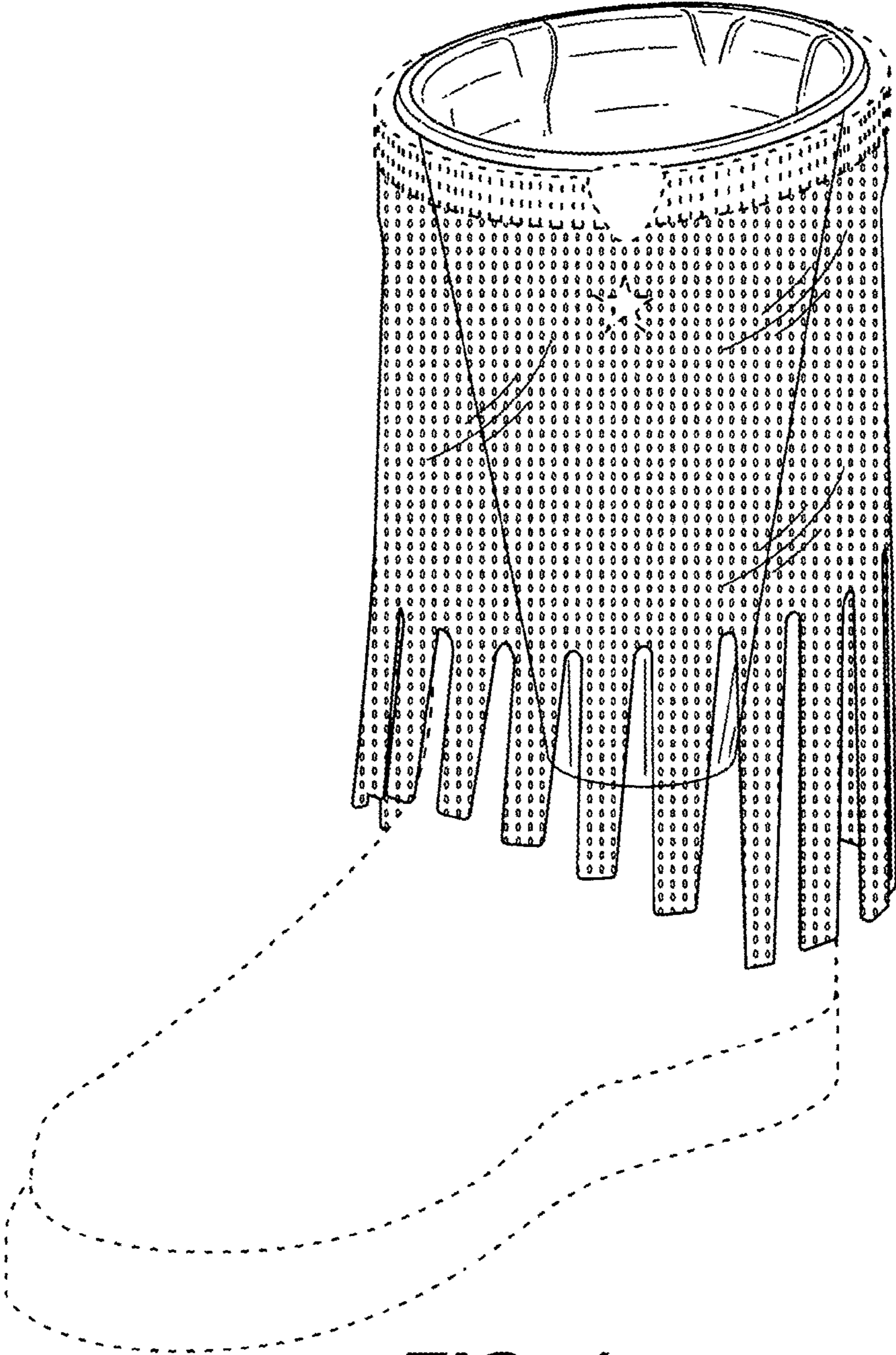
**1 Claim, 5 Drawing Sheets**

(56) **References Cited**

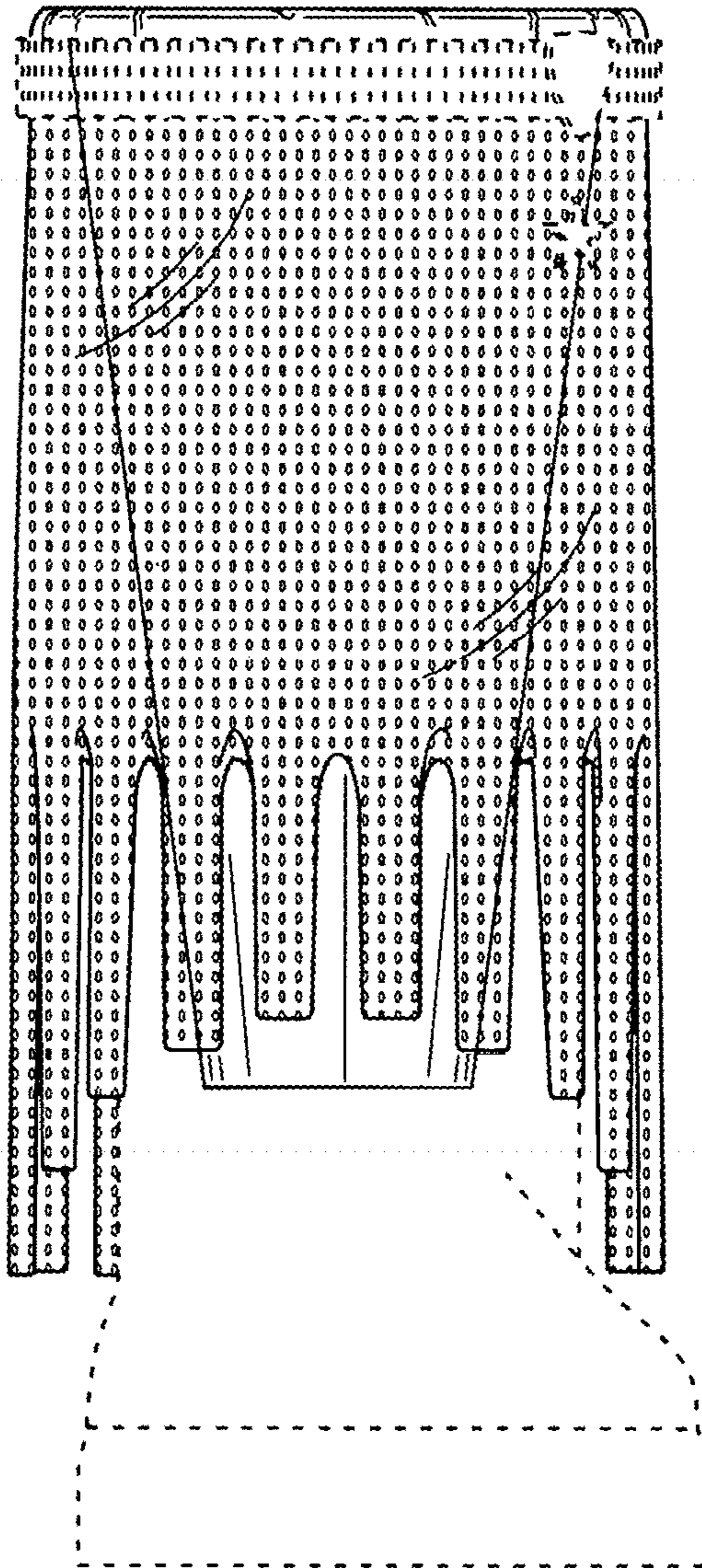
**U.S. PATENT DOCUMENTS**

1,435,047	A	*	11/1922	Von Blum	.....	A41B 17/00 2/242
D63,596	S	*	12/1923	Tweedie	.....	36/2 R
1,613,784	A	*	1/1927	Bingaman	.....	A41D 17/02 36/2 R
2,028,947	A	*	1/1936	Palm	.....	A41D 17/00 36/2 R
D103,602	S	*	3/1937	Spalsbury	.....	D2/976
2,083,373	A	*	6/1937	Hardesty	.....	G01B 3/166 33/806
D110,163	S	*	6/1938	Andrews	.....	D2/939
D120,887	S	*	6/1940	Grezlak	.....	36/2 R
D133,870	S	*	9/1942	Hill	.....	36/2 R



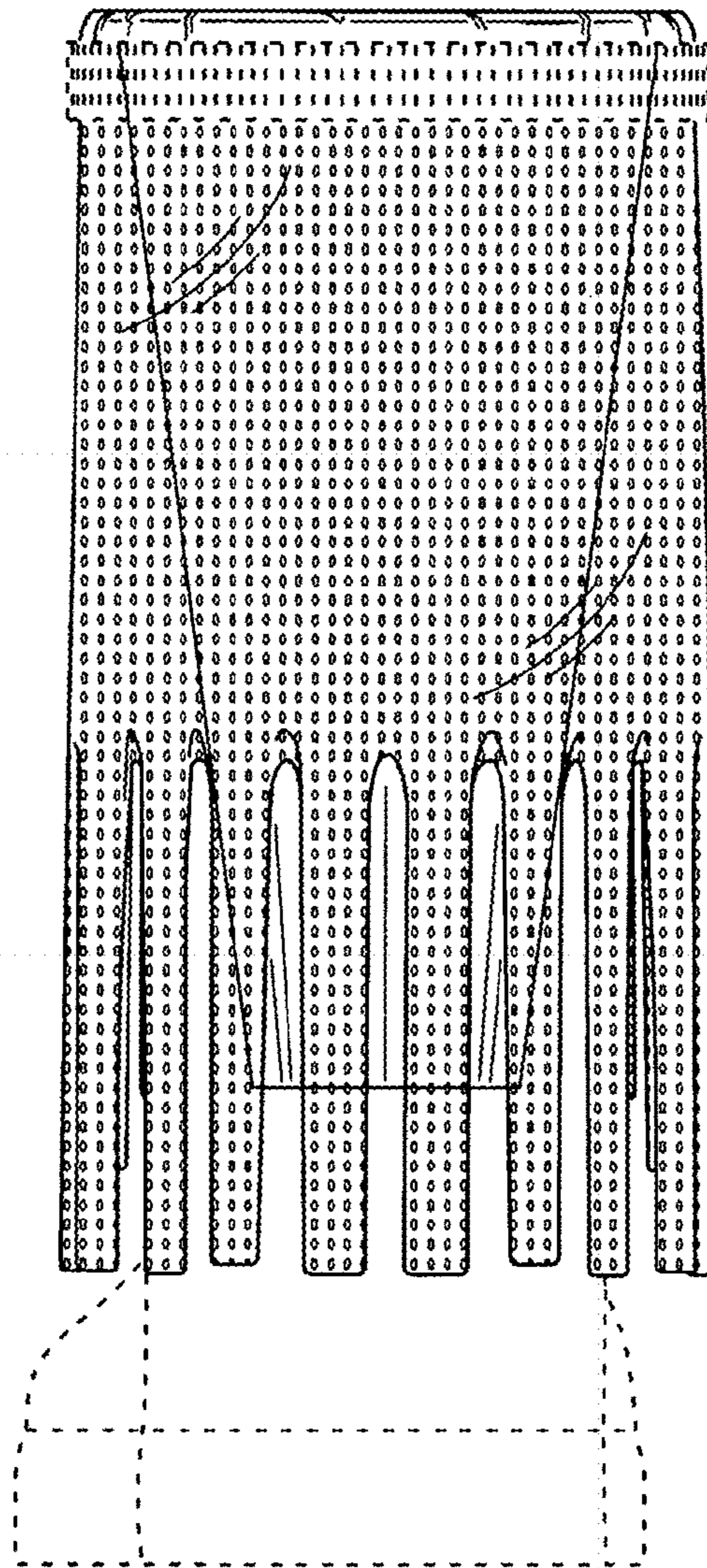


**FIG. 1**

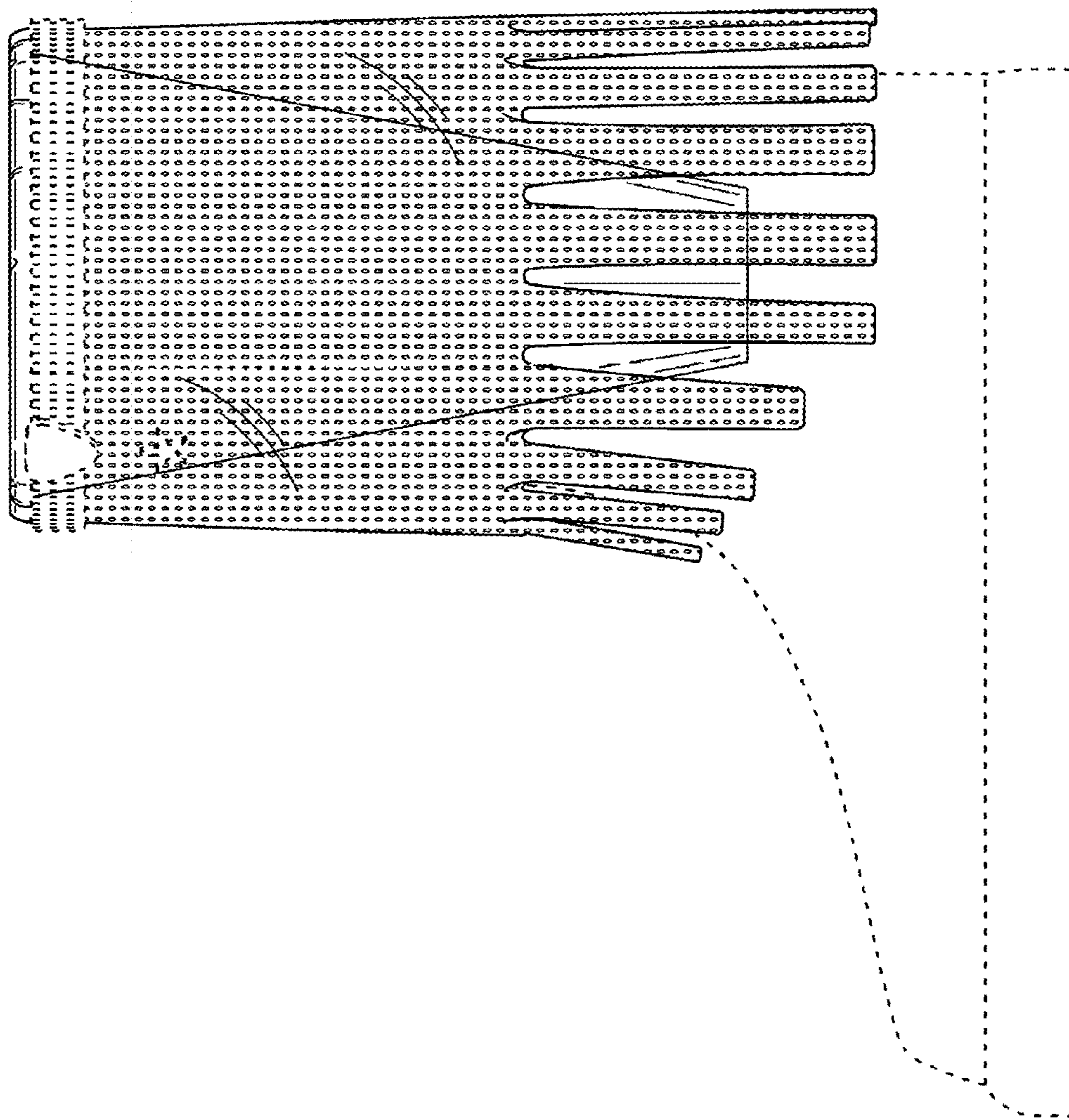


**FIG. 2**





**FIG. 3**



**FIG. 4**

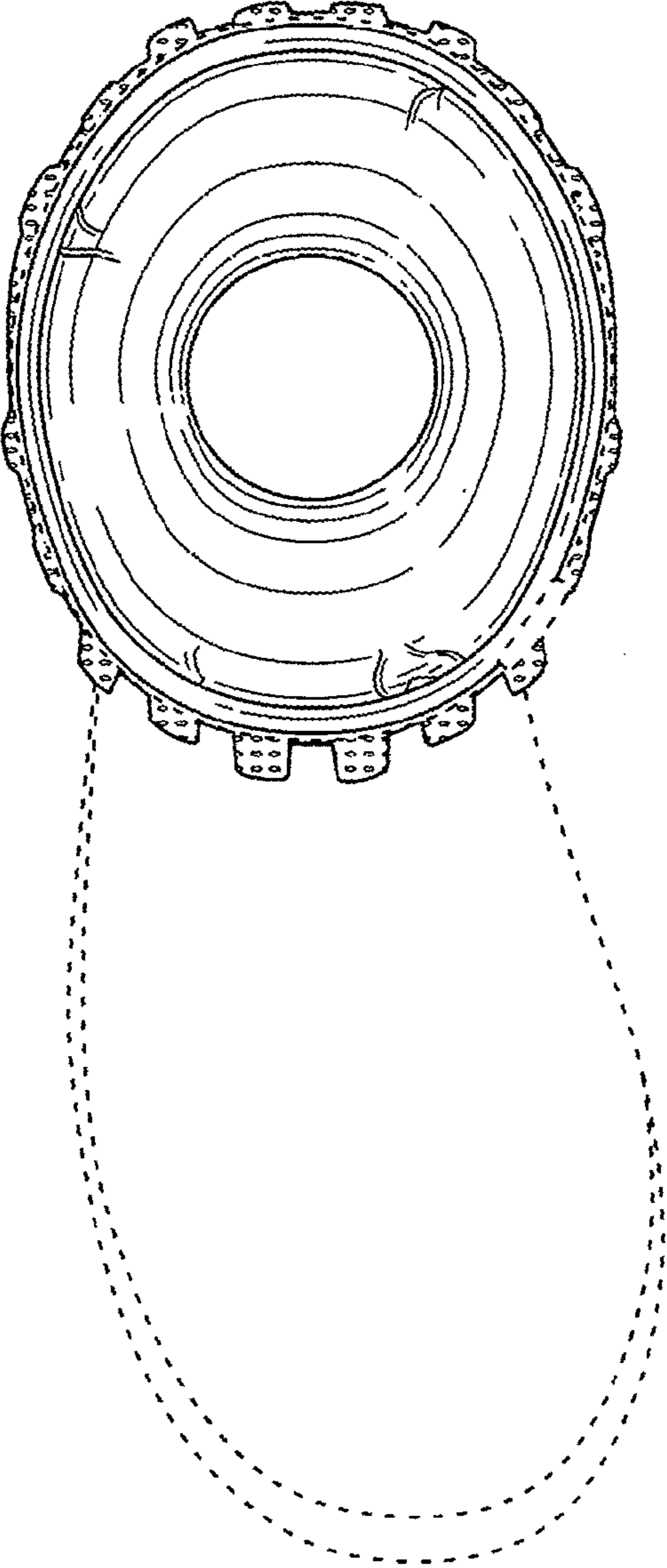


FIG. 5