



US00D762955S

(12) **United States Design Patent**
Buscemi

(10) **Patent No.:** **US D762,955 S**
(45) **Date of Patent:** **** Aug. 9, 2016**

- (54) **SHOE**
- (71) Applicant: **BUSCEMI LLC**
- (72) Inventor: **Jon Buscemi**, West Hollywood, CA (US)
- (73) Assignee: **BUSCEMI, LLC**, Los Angeles, CA (US)
- (**) Term: **14 Years**
- (21) Appl. No.: **29/493,138**
- (22) Filed: **Jun. 5, 2014**
- (30) **Foreign Application Priority Data**
Apr. 14, 1920 (EM) 002446377-0001
- (51) **LOC (10) Cl.** **02-04**
- (52) **U.S. Cl.**
USPC **D2/943**
- (58) **Field of Classification Search**
USPC D2/896, 902, 905, 907, 908, 909, 910,
D2/911, 912, 943, 944, 945, 946, 969, 972,
D2/976; 36/83, 113, 114, 115, 126-131,
36/132, 136, 3 A, 45, 50.1
CPC A43B 5/00; A43B 5/002; A43B 5/003;
A43B 5/006; A43B 5/007; A43B 5/008;
A43B 5/02; A43B 5/025; A43B 5/06; A43B
5/10; A43B 5/14; A43B 5/145; A43B 3/00;
A43B 1/10
See application file for complete search history.

- (56) **References Cited**
U.S. PATENT DOCUMENTS
1,545,623 A * 7/1925 Westfall 36/89
3,613,273 A * 10/1971 Marquis 36/89
D281,926 S * 12/1985 Hill D2/902
4,577,419 A * 3/1986 Chassaing 36/89
D283,463 S * 4/1986 Chassaing D2/902

D284,039	S	*	6/1986	Yoshitake	D2/902
5,109,613	A	*	5/1992	Van Dyke	36/89
D337,647	S	*	7/1993	Cotsidas	D2/970
5,269,078	A	*	12/1993	Cochrane	36/93
D345,248	S	*	3/1994	Teague	D2/970
D349,807	S	*	8/1994	Hatfield et al.	D2/970
D350,013	S	*	8/1994	Gitelman	D2/902
D382,690	S	*	8/1997	Hirahata	D2/902
D410,326	S	*	6/1999	Duclos	D2/970
D474,008	S	*	5/2003	Masullo	D2/969
D486,633	S	*	2/2004	Adams	D2/969
D492,097	S	*	6/2004	Magro	D2/902
D513,448	S	*	1/2006	Oliva et al.	D2/969
D591,031	S	*	4/2009	Cofinco	D2/902
D611,230	S	*	3/2010	Choi	D2/902
D611,240	S	*	3/2010	Choi	D2/969
D613,042	S	*	4/2010	Andreassen	D2/902
D634,918	S	*	3/2011	Katz et al.	D2/902
D635,748	S	*	4/2011	Katz et al.	D2/902
D641,546	S	*	7/2011	Choi	D2/969
D641,963	S	*	7/2011	Choi	D2/969
D656,715	S	*	4/2012	Katz et al.	D2/902

(Continued)

Primary Examiner — Elizabeth J Oswecki
(74) *Attorney, Agent, or Firm* — Hackler Daghighian & Martino

(57) **CLAIM**
The ornamental design for a shoe, as shown and described.

DESCRIPTION

FIG. 1 is a front perspective view of a shoe showing my new design;
FIG. 2 is a back view thereof;
FIG. 3 is a top view thereof;
FIG. 4 is a front view thereof; and,
FIG. 5 is a right side view thereof, the left side view being a mirror image of FIG. 5.
The broken lines shown on the shoe represent thread stitching. All surfaces and all sides not shown form no part of the claimed design.

1 Claim, 5 Drawing Sheets



US D762,955 S

Page 2

(56)

References Cited

U.S. PATENT DOCUMENTS

D665,562 S * 8/2012 Di Nucci D2/902
D701,680 S * 4/2014 Della Valle et al. D2/902
D702,024 S * 4/2014 Della Valle et al. D2/902

D702,423 S * 4/2014 Della Valle et al. D2/902
D709,676 S * 7/2014 Iachini D2/902
D719,725 S * 12/2014 Katz et al. D2/944

* cited by examiner

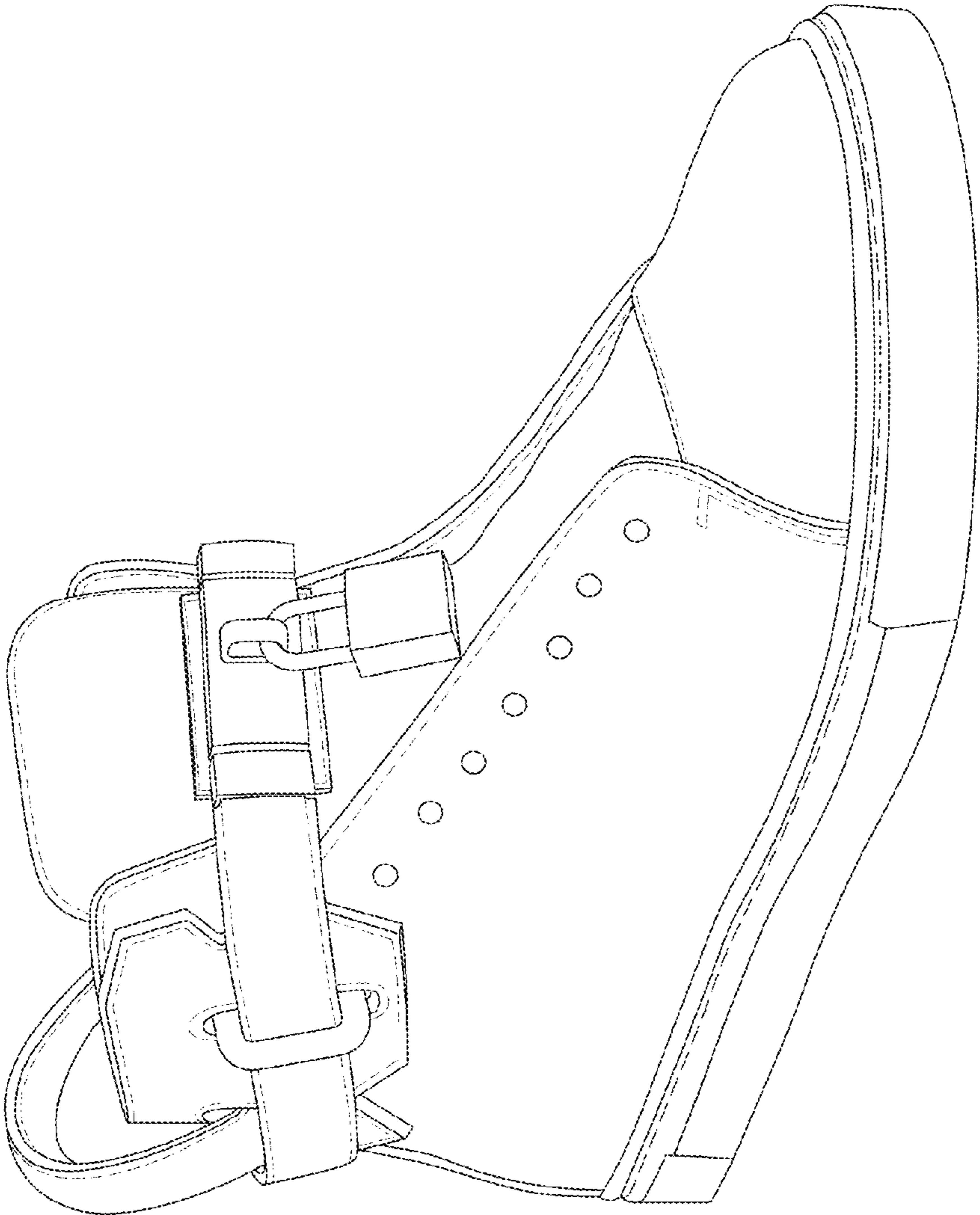


FIG. 1

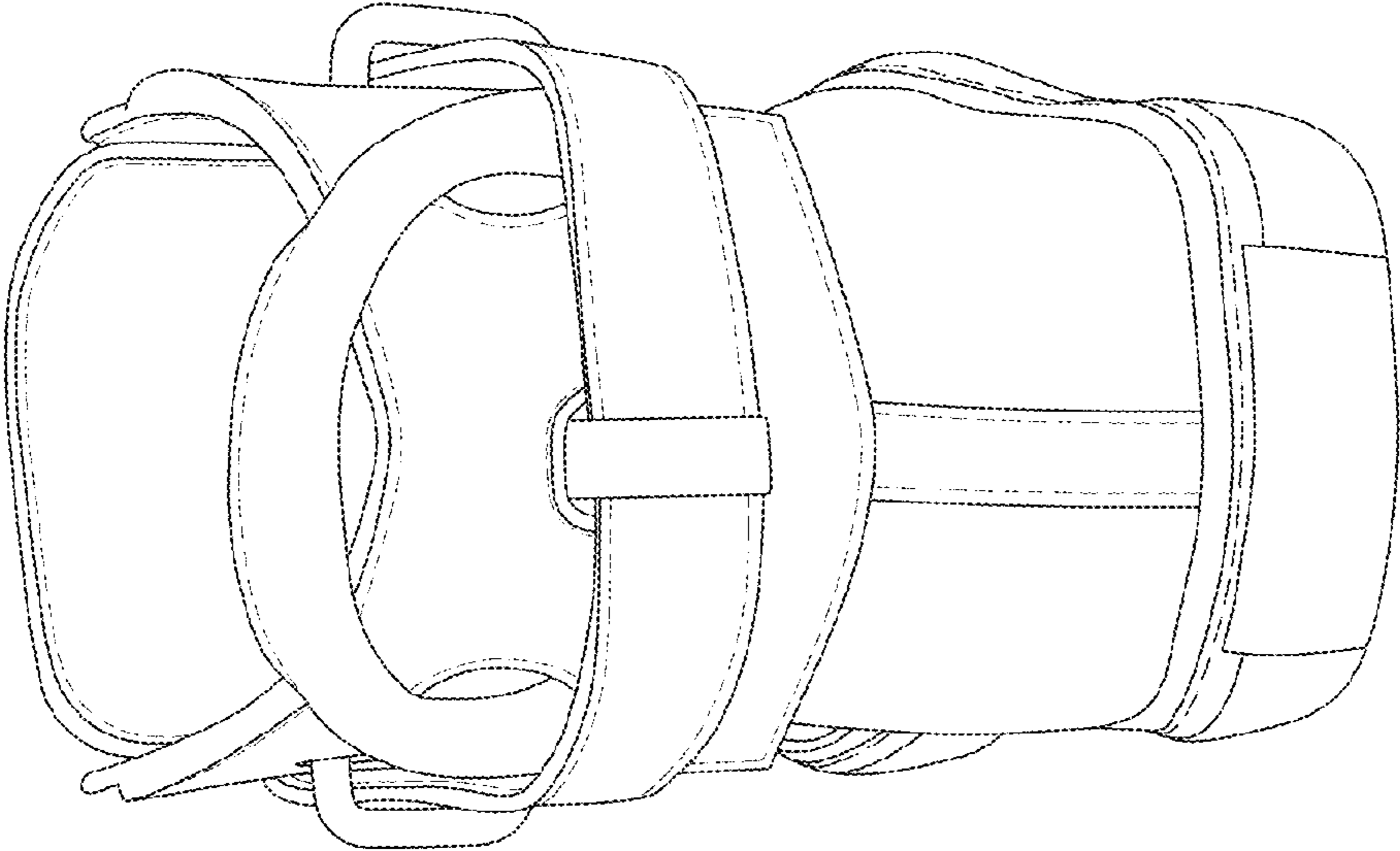


FIG. 2

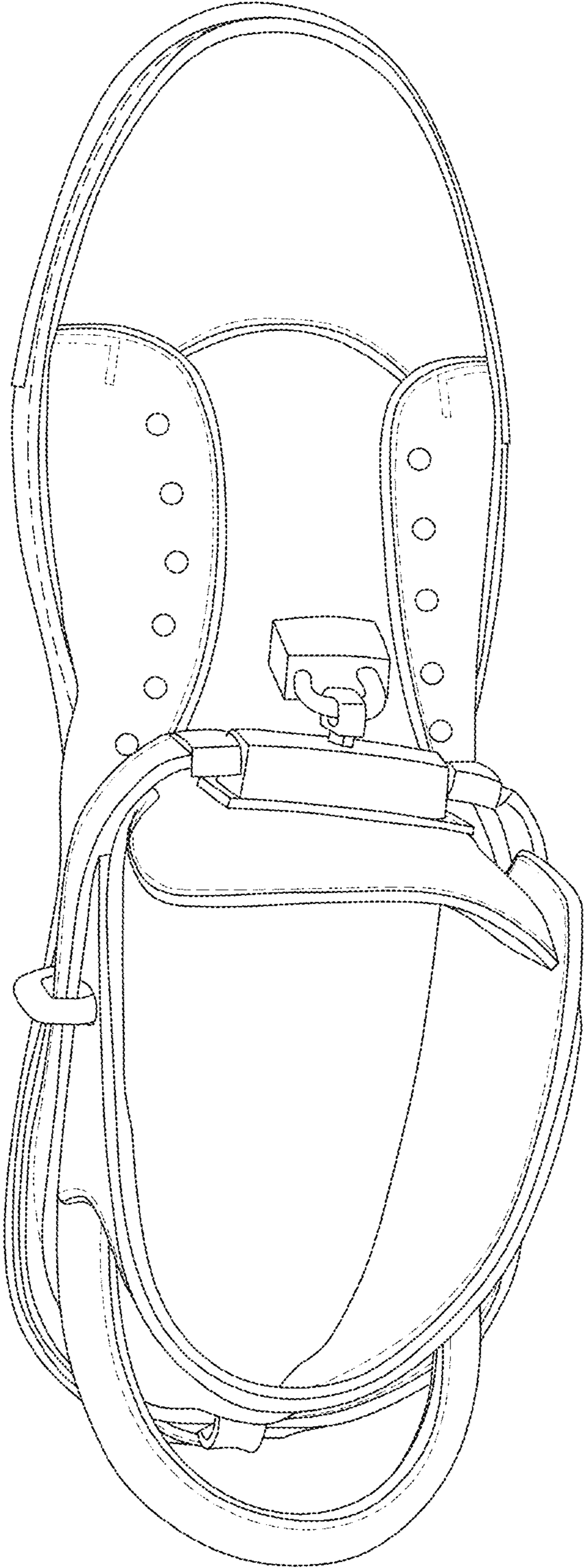


FIG. 3

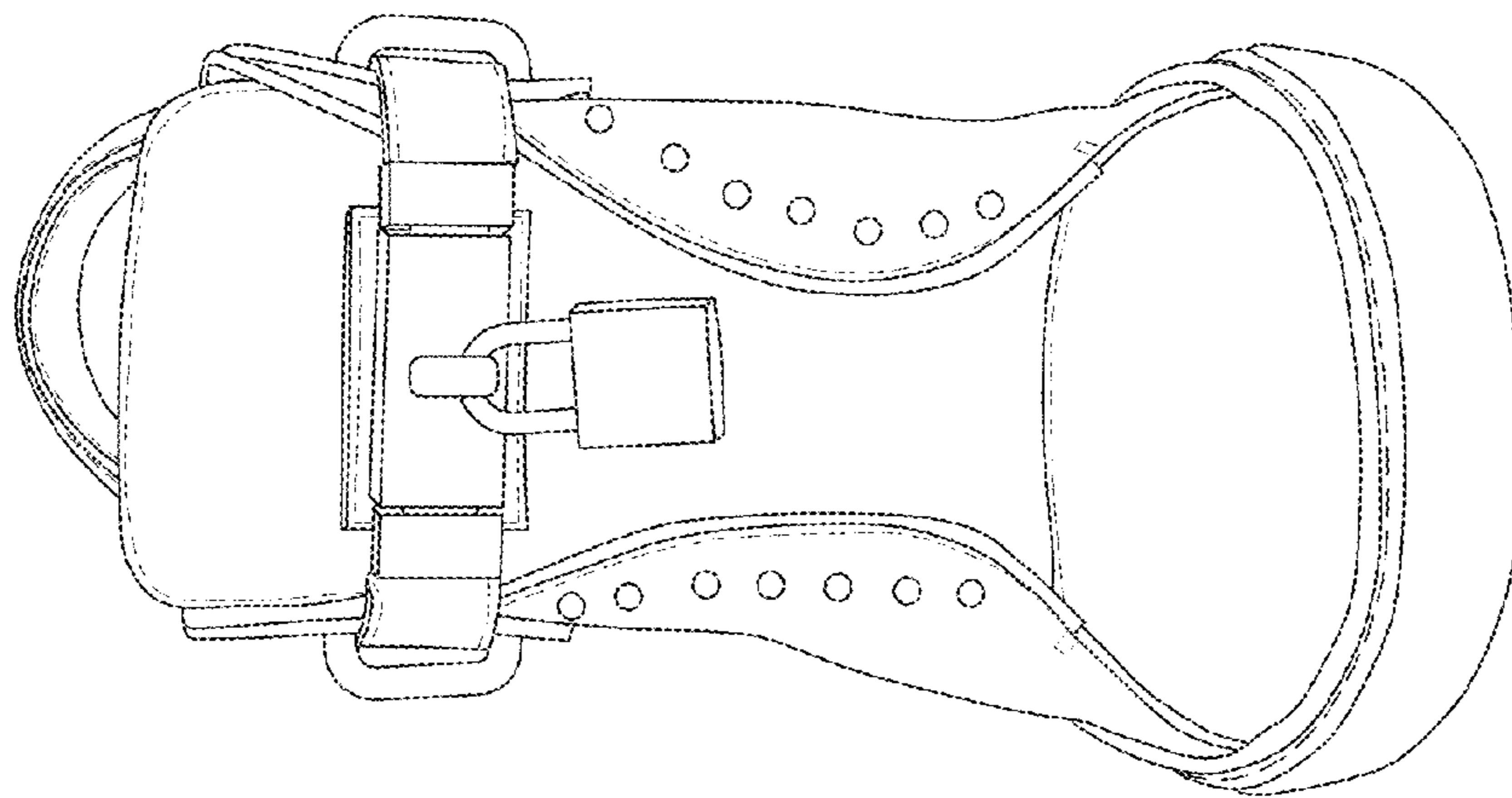


FIG. 4

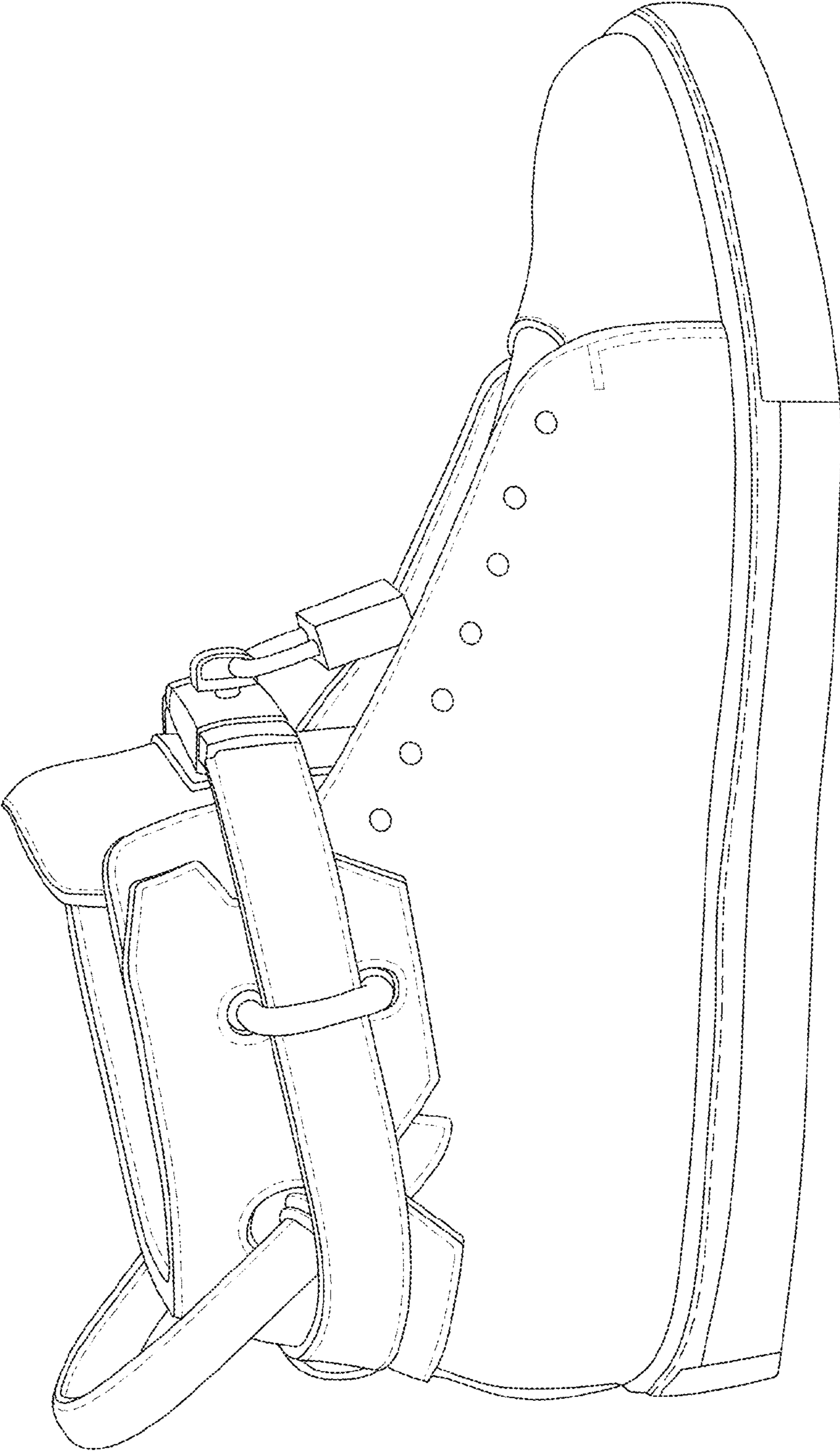


FIG. 5