

US00D762951S

(12) **United States Design Patent**
Ethridge

(10) **Patent No.:** **US D762,951 S**
(45) **Date of Patent:** **** Aug. 9, 2016**

- (54) **SANDAL**
- (71) Applicant: **Desaree C. Ethridge**, South Ozone Park, NY (US)
- (72) Inventor: **Desaree C. Ethridge**, South Ozone Park, NY (US)
- (**) Term: **14 Years**
- (21) Appl. No.: **29/500,833**
- (22) Filed: **Aug. 28, 2014**
- (51) **LOC (10) Cl.** **02-04**
- (52) **U.S. Cl.**
USPC **D2/917**
- (58) **Field of Classification Search**
USPC D02/896, 900, 916-918, 929-933, 969, D02/971
CPC A43B 23/25; A43B 3/128; A43B 3/10; A43B 3/122; A43B 3/24; A43B 3/12
See application file for complete search history.

- D572,456 S * 7/2008 Guers-Neyrud D2/917
- D577,182 S * 9/2008 Comeau D2/917
- D581,149 S * 11/2008 Comeau D2/917
- D661,066 S * 6/2012 Marcos Da Silva D2/917
- D678,665 S * 3/2013 Martinez D2/917
- D692,216 S * 10/2013 Issler D2/917
- 8,832,971 B2 * 9/2014 Heid A43B 1/0081 36/11.5

* cited by examiner

Primary Examiner — Ian Simmons

Assistant Examiner — Rashida C Walshon

(74) *Attorney, Agent, or Firm* — Knobbe, Martens, Olson & Bear LLP

(57) **CLAIM**

The ornamental design for a sandal, as shown and described.

DESCRIPTION

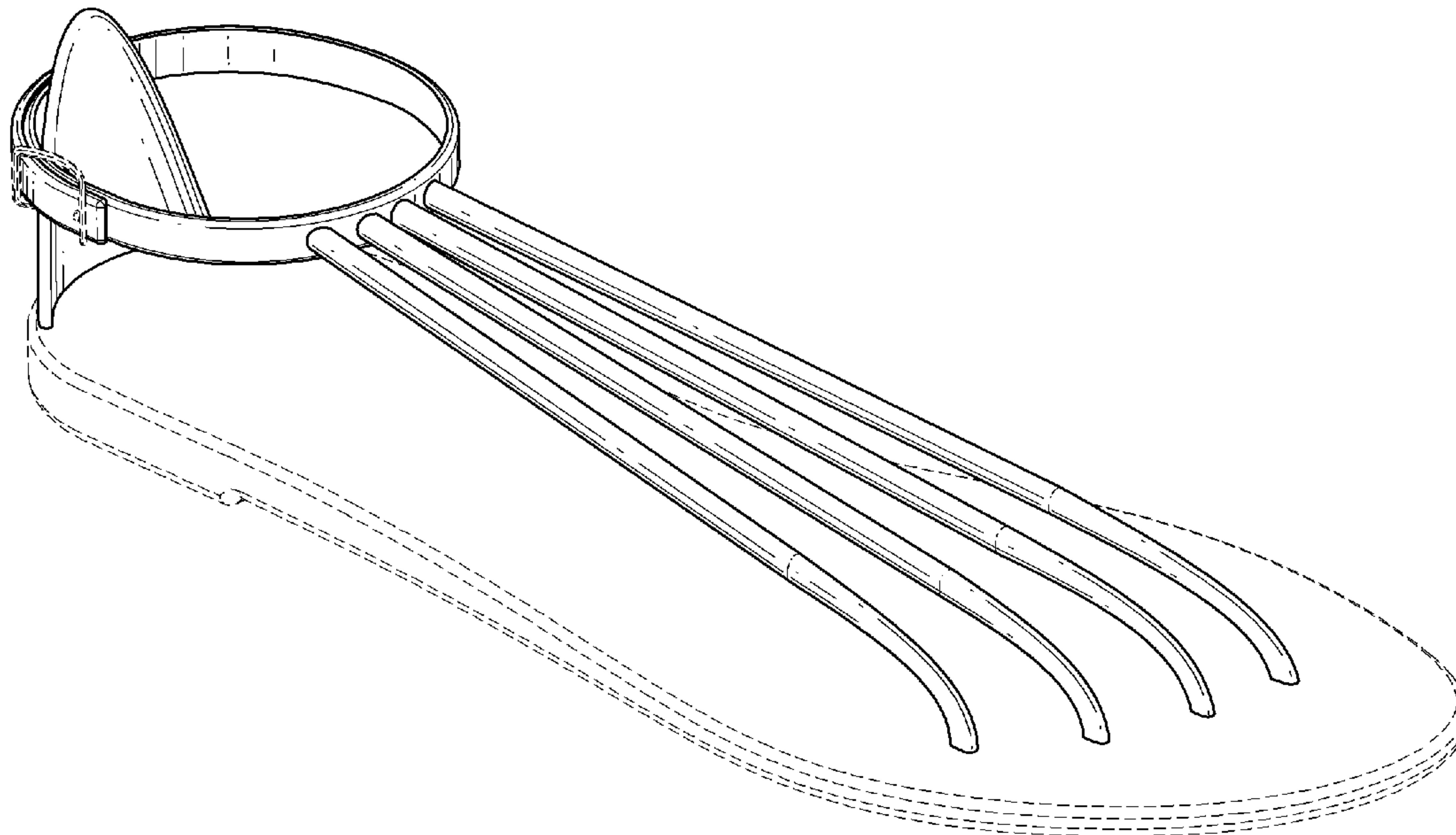
FIG. 1 is a top, front, and side perspective view of a sandal embodying my new design.
 FIG. 2 is a bottom, back, and side perspective view thereof.
 FIG. 3 is a back view thereof.
 FIG. 4 is a front view thereof.
 FIG. 5 is a top view thereof.
 FIG. 6 is a bottom view thereof.
 FIG. 7 is a first side view thereof; and
 FIG. 8 is a second side view thereof.
 Broken lines are used to illustrate features of the sandal which form no part of the claimed design.

1 Claim, 6 Drawing Sheets

(56) **References Cited**

U.S. PATENT DOCUMENTS

- 2,751,693 A * 6/1956 Baker A43B 7/26 132/73
- 2,808,662 A * 10/1957 Webb A43B 3/126 36/11.5
- D495,855 S * 9/2004 Comeau D2/917
- D496,147 S * 9/2004 Comeau D2/917



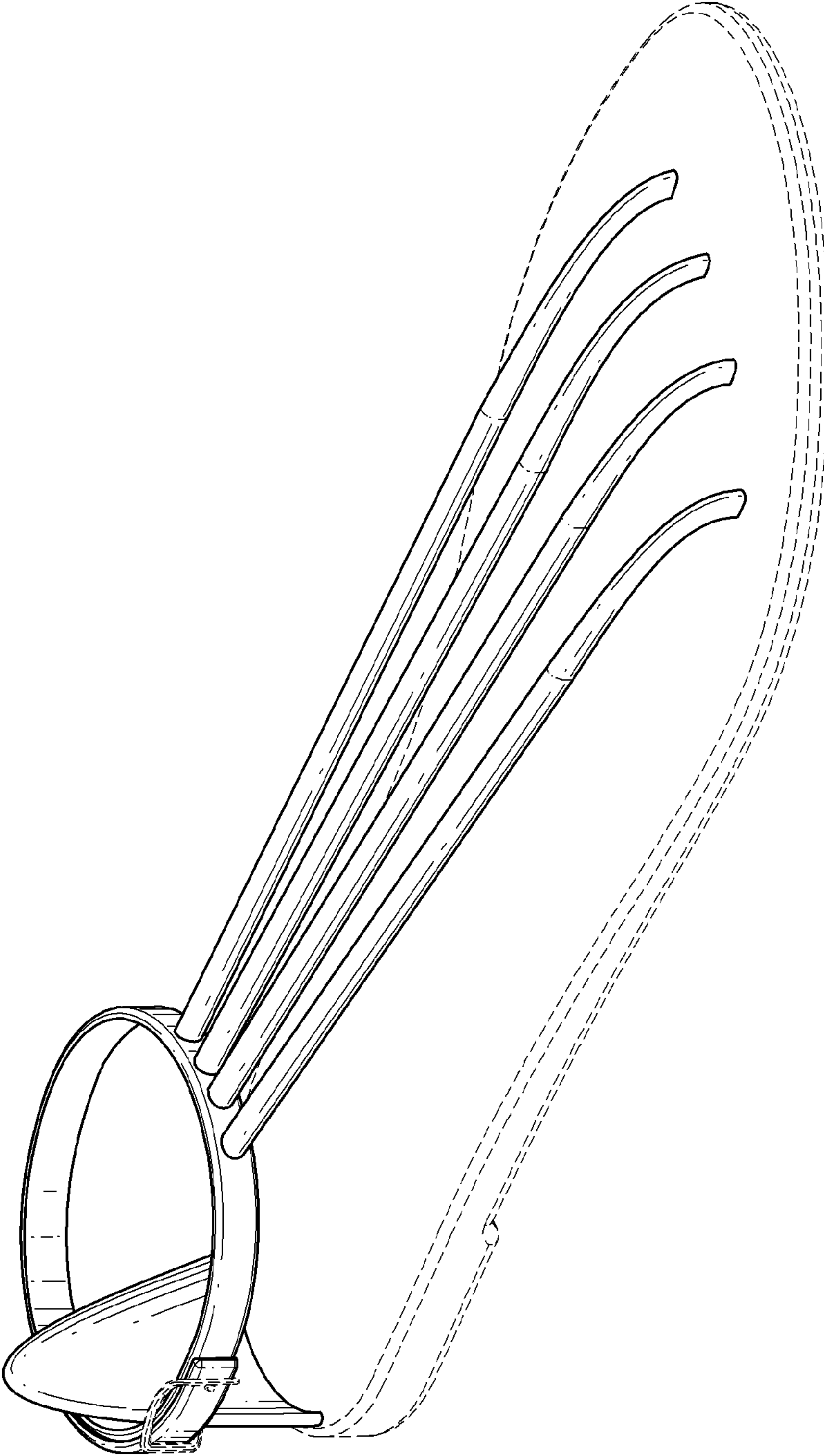


FIG. 1

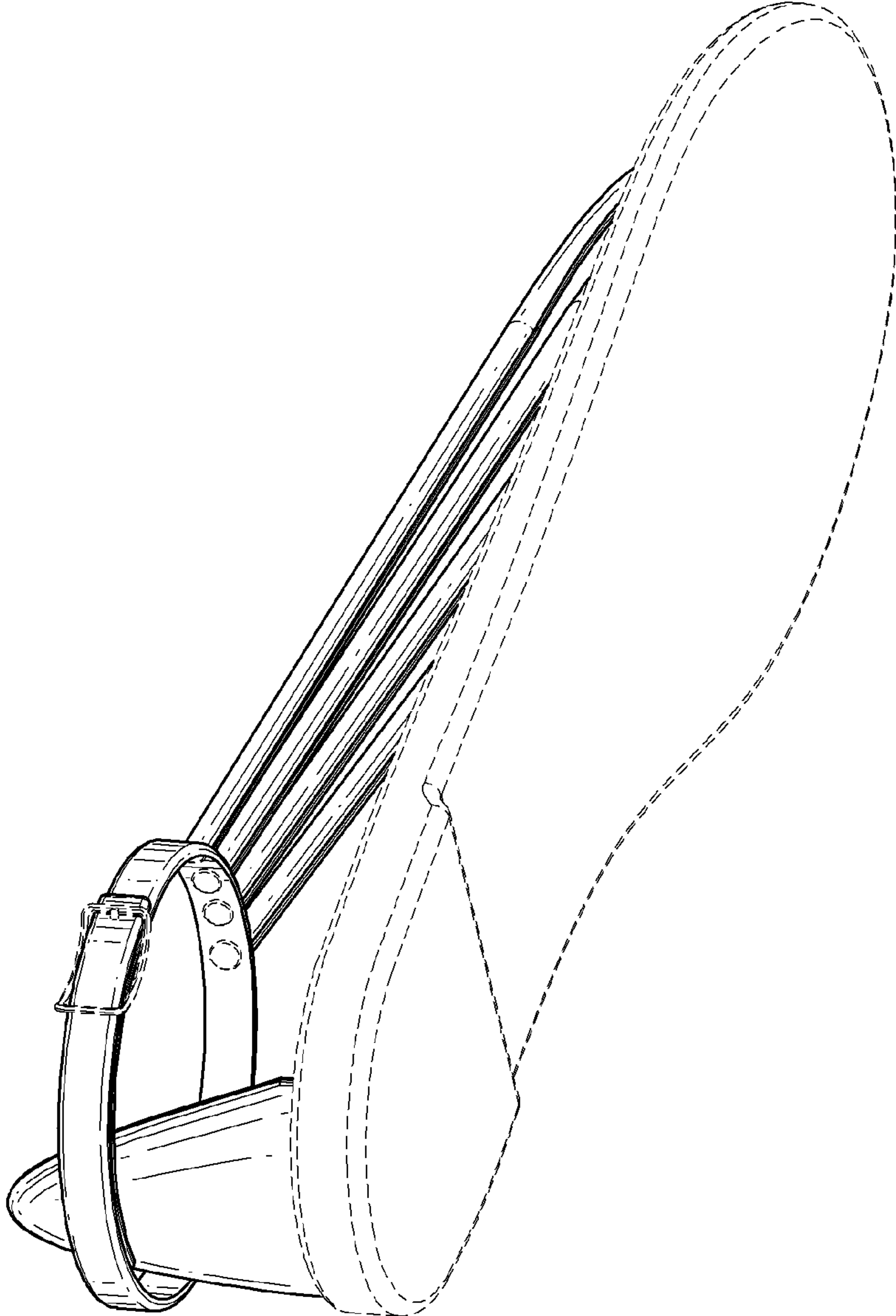


FIG. 2

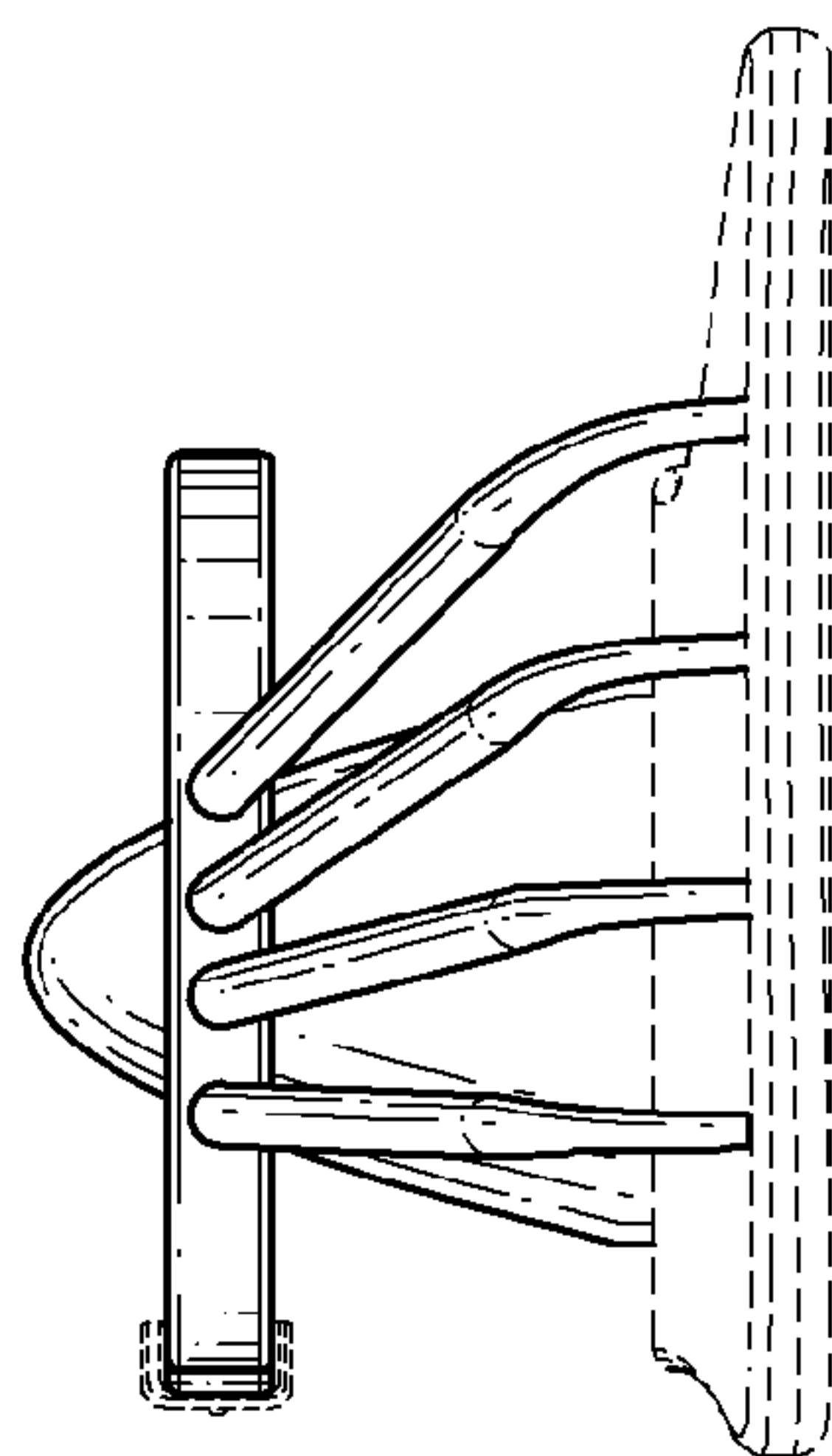


FIG. 4

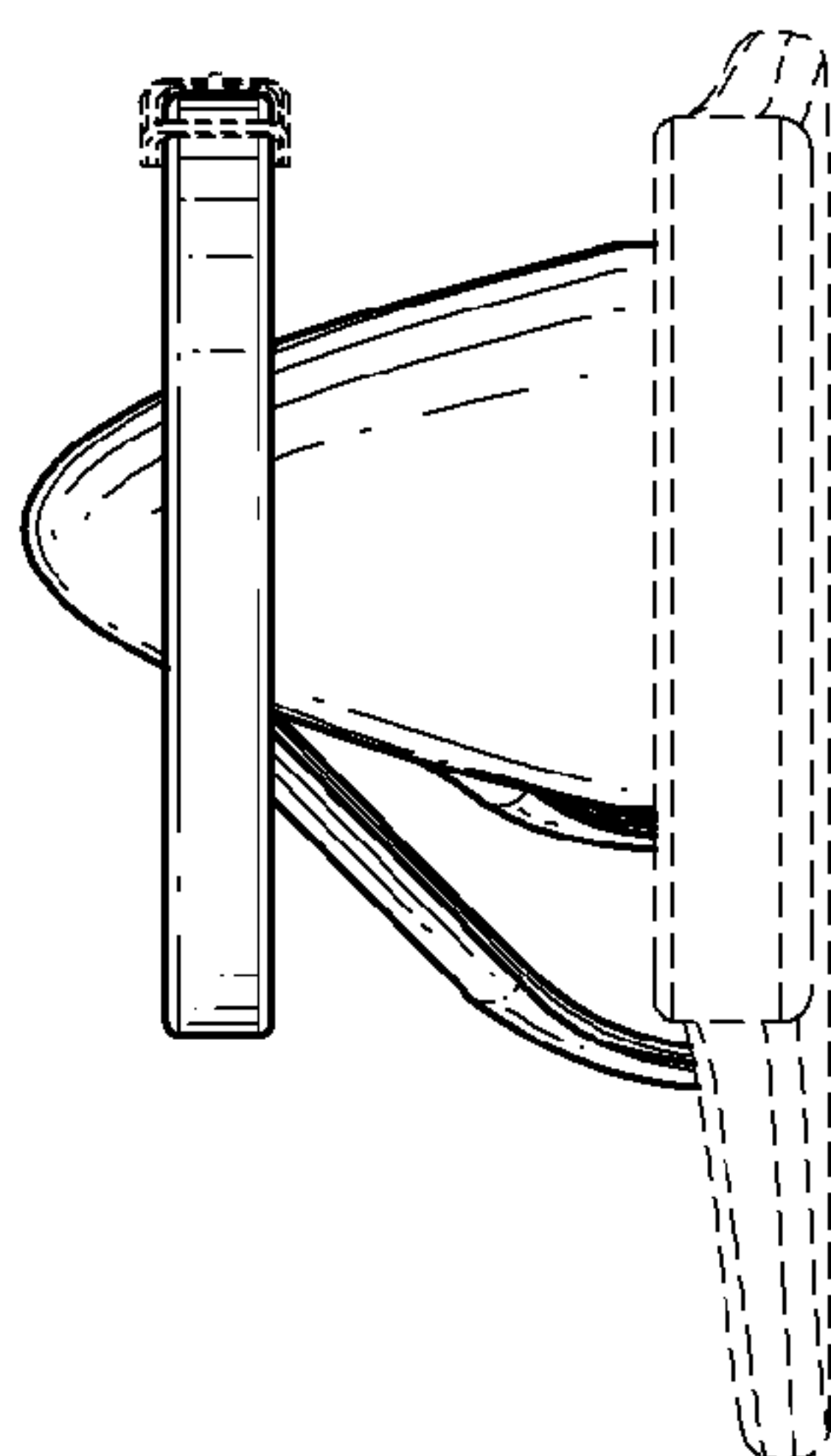


FIG. 3

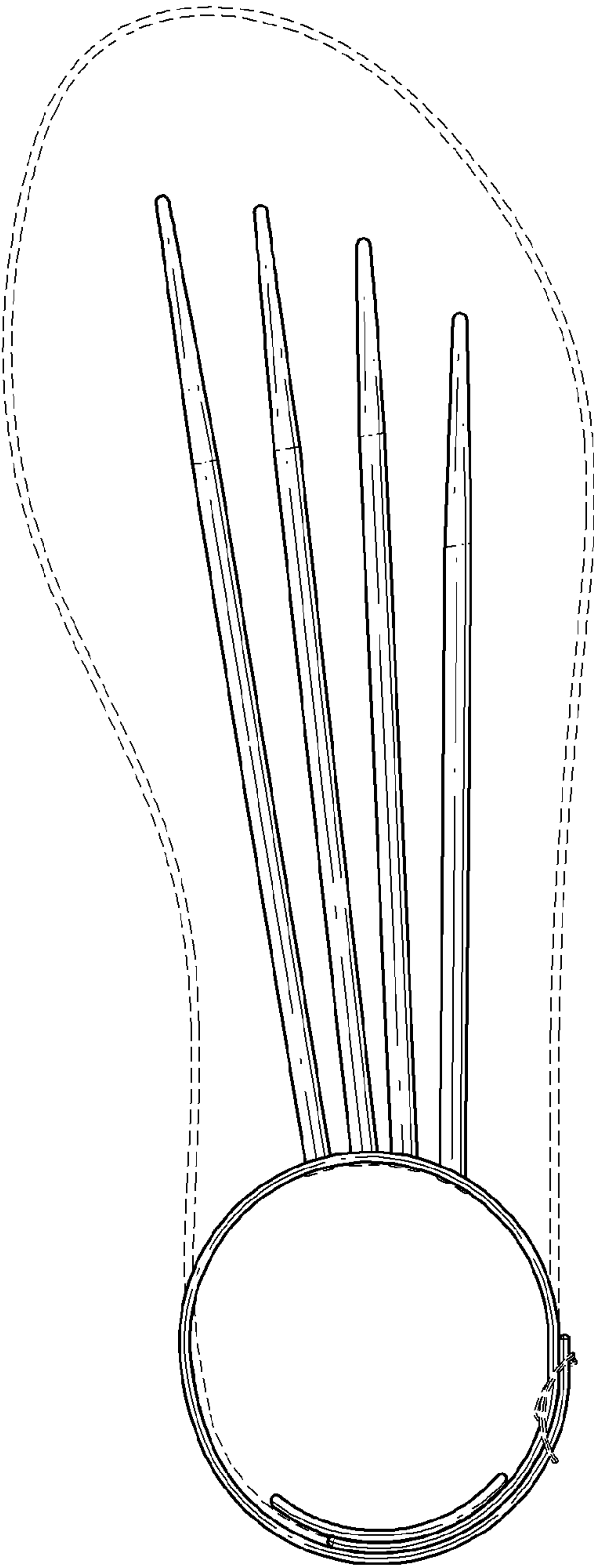


FIG. 5

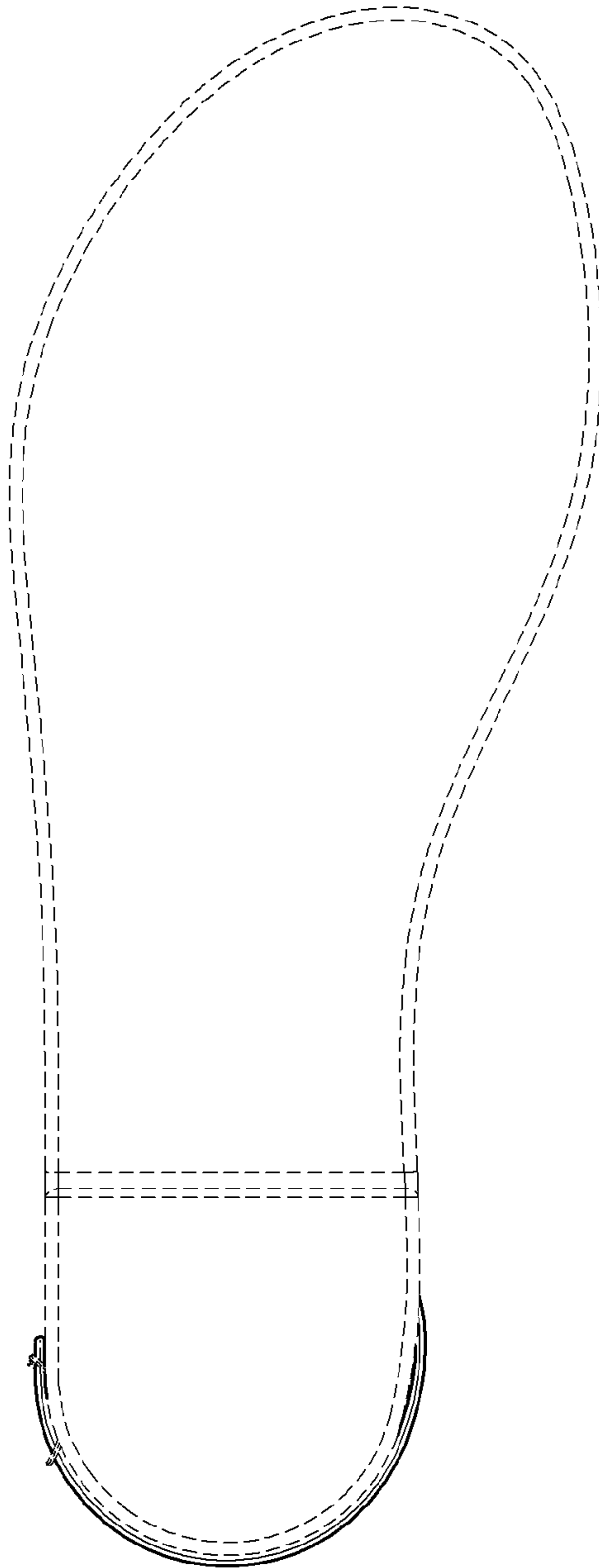


FIG. 6

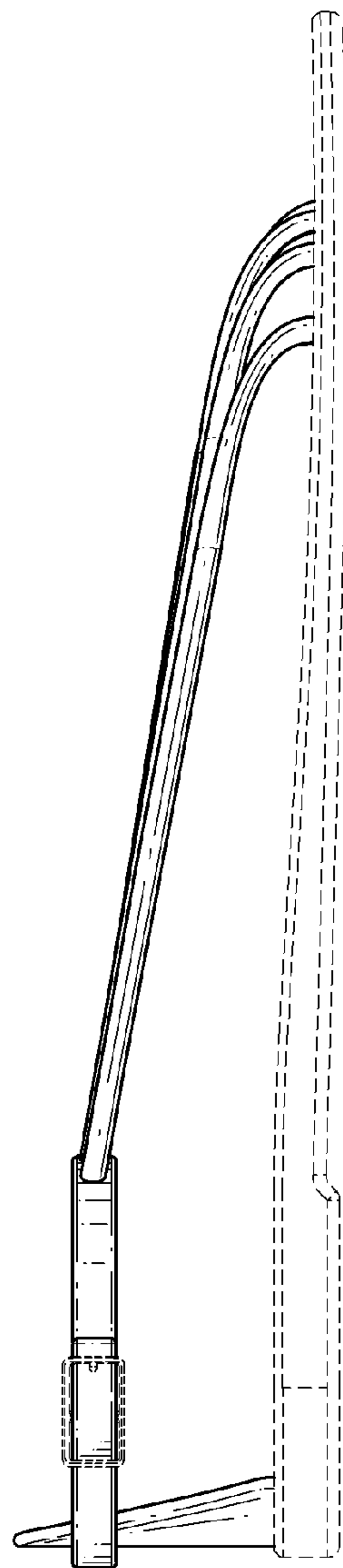


FIG. 7

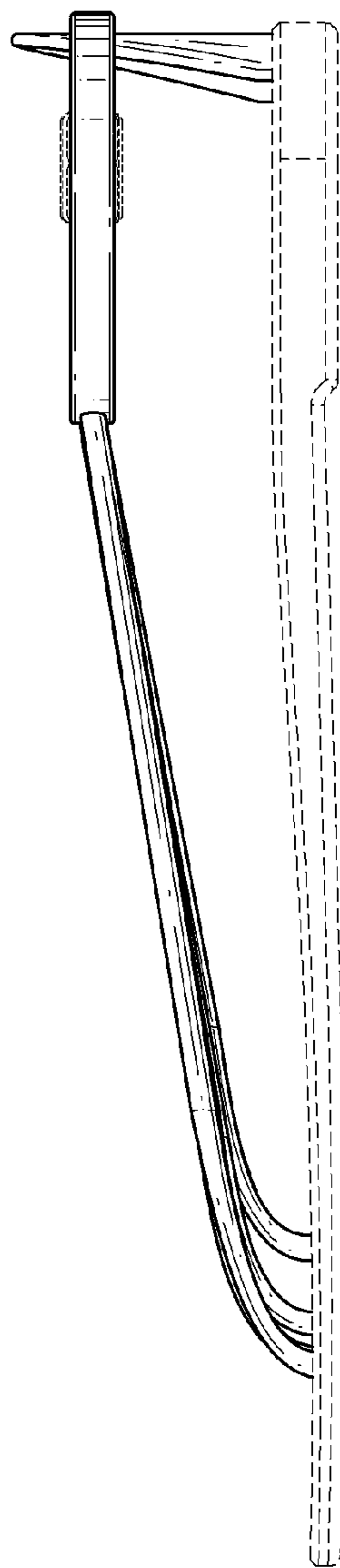


FIG. 8