



US00D762945S

(12) **United States Design Patent**
Lopina DeMaria

(10) **Patent No.:** **US D762,945 S**
(45) **Date of Patent:** **** Aug. 9, 2016**

(54) **INFANT UNDERGARMENT**

(71) Applicant: **Janet Lopina DeMaria**, Placerville, CA (US)

(72) Inventor: **Janet Lopina DeMaria**, Placerville, CA (US)

(**) Term: **15 Years**

(21) Appl. No.: **29/531,233**

(22) Filed: **Jun. 24, 2015**

(51) **LOC (10) Cl.** **02-01**

(52) **U.S. Cl.**
USPC **D2/714**

(58) **Field of Classification Search**
USPC D2/712-720, 724-727
CPC A41B 9/08; A41B 13/00; A41B 13/005;
A41B 13/08

See application file for complete search history.

(56) **References Cited**

U.S. PATENT DOCUMENTS

- 1,256,736 A * 2/1918 Sheehy A41B 13/00
2/80
- 2,015,532 A * 9/1935 Rickert A41B 9/08
2/78.2
- RE23,853 E * 7/1954 Siegel A41B 13/00
604/394
- 7,882,570 B2 * 2/2011 Krier A41D 13/1272
2/111
- D731,756 S * 6/2015 Sullivan D2/745
- D731,757 S * 6/2015 Sullivan D2/745
- D731,758 S * 6/2015 Sullivan D2/745

- D741,046 S * 10/2015 Pelekanou D2/745
- 2010/0275340 A1 * 11/2010 Wilson A41B 13/08
2/80
- 2013/0298305 A1 * 11/2013 Lushaj A41D 11/00
2/80
- 2014/0165258 A1 * 6/2014 Felenchak A41B 13/08
2/80
- 2014/0317828 A1 * 10/2014 Holsinger A41B 13/08
2/80
- 2015/0272228 A1 * 10/2015 Penner A41B 13/08
2/80

* cited by examiner

Primary Examiner — Susan Bennett Hattan

Assistant Examiner — Jennifer Wright

(74) *Attorney, Agent, or Firm* — Heisler & Associate

(57) **CLAIM**

The ornamental design for an infant undergarment, as shown and described.

DESCRIPTION

FIG. 1 is a perspective view of the infant undergarment shown in a position of use.

FIG. 2 is a front elevation view of the invention.

FIG. 3 is a top plan view of the invention.

FIG. 4 is a bottom plan view of the invention.

FIG. 5 is a left side view of the invention.

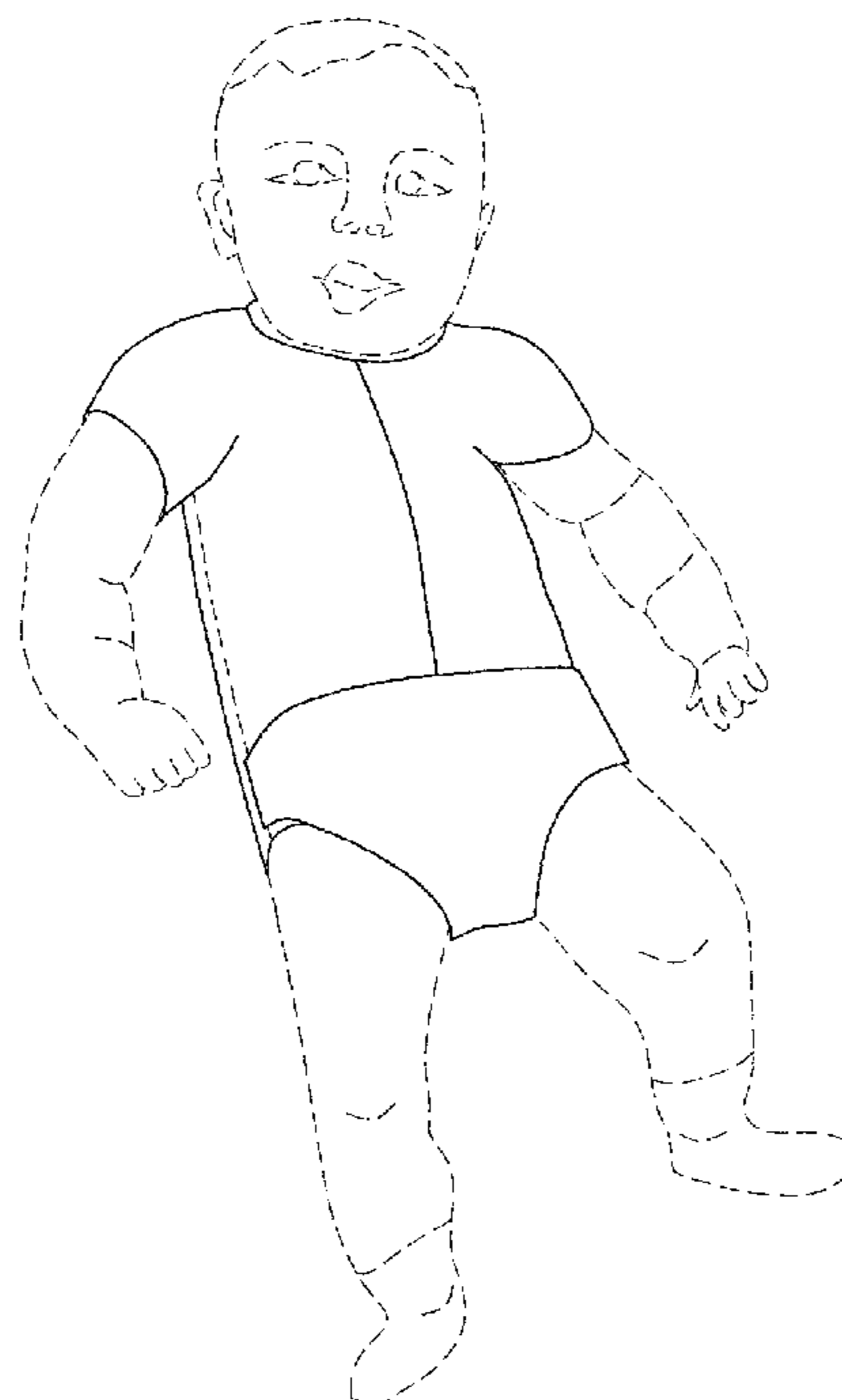
FIG. 6 is a right side view of the invention.

FIG. 7 is a rear elevation view of the invention; and,

FIG. 8 is a front elevation view of the invention with a lower flap of the infant undergarment in a fully open position.

The broken lines in the drawings depict environmental subject matter only and form no part of the claimed design.

1 Claim, 1 Drawing Sheet



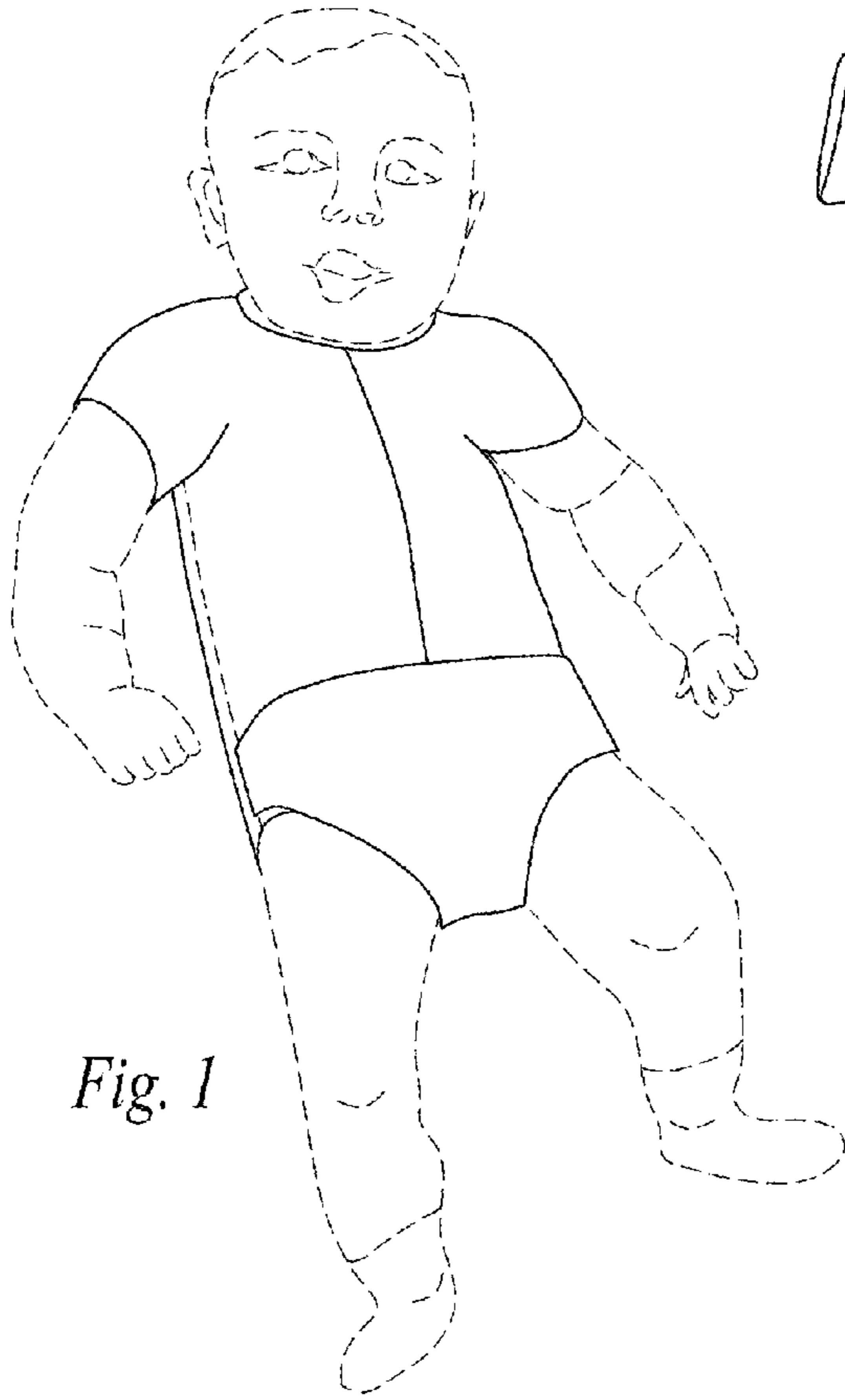


Fig. 1

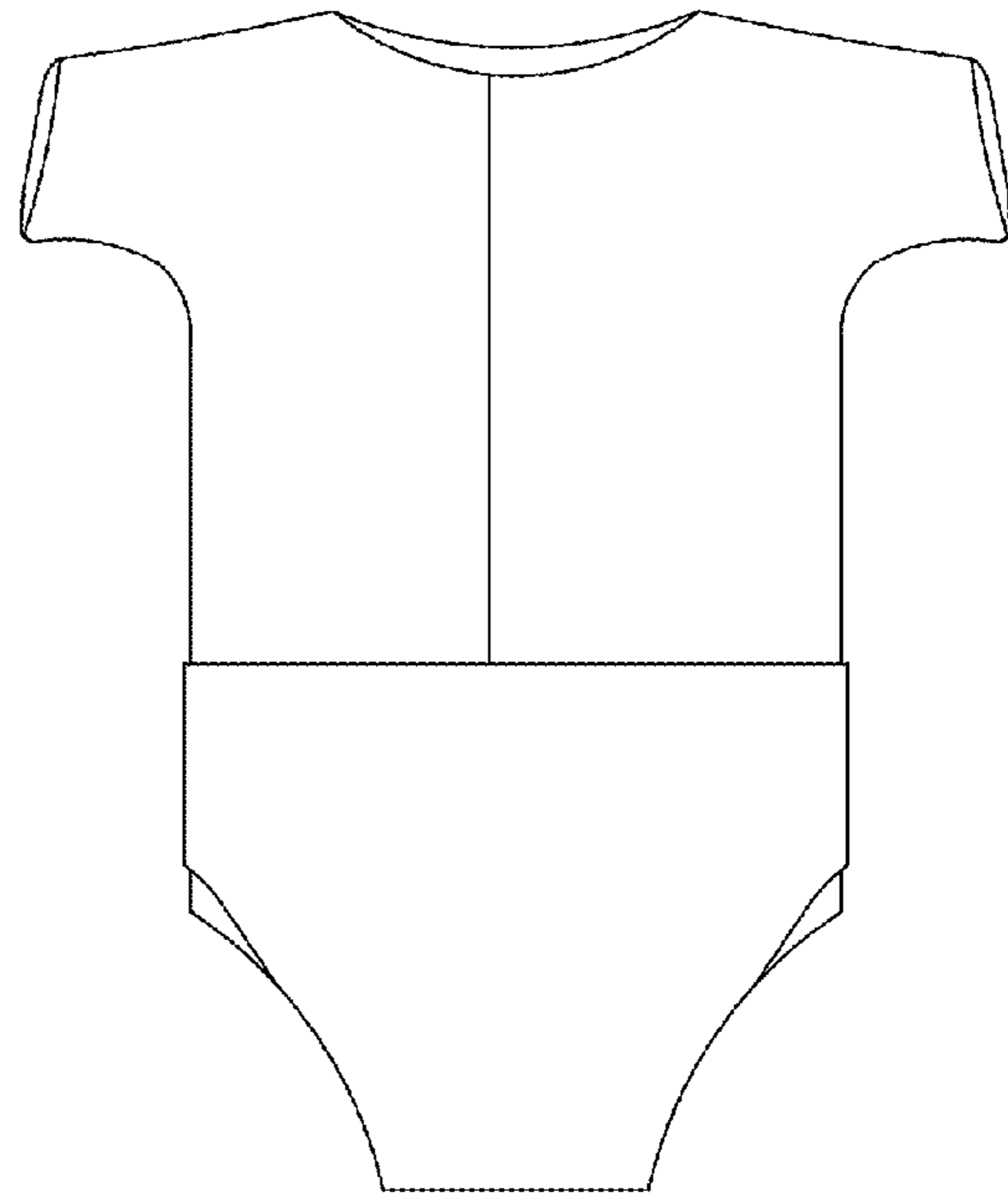


Fig. 2

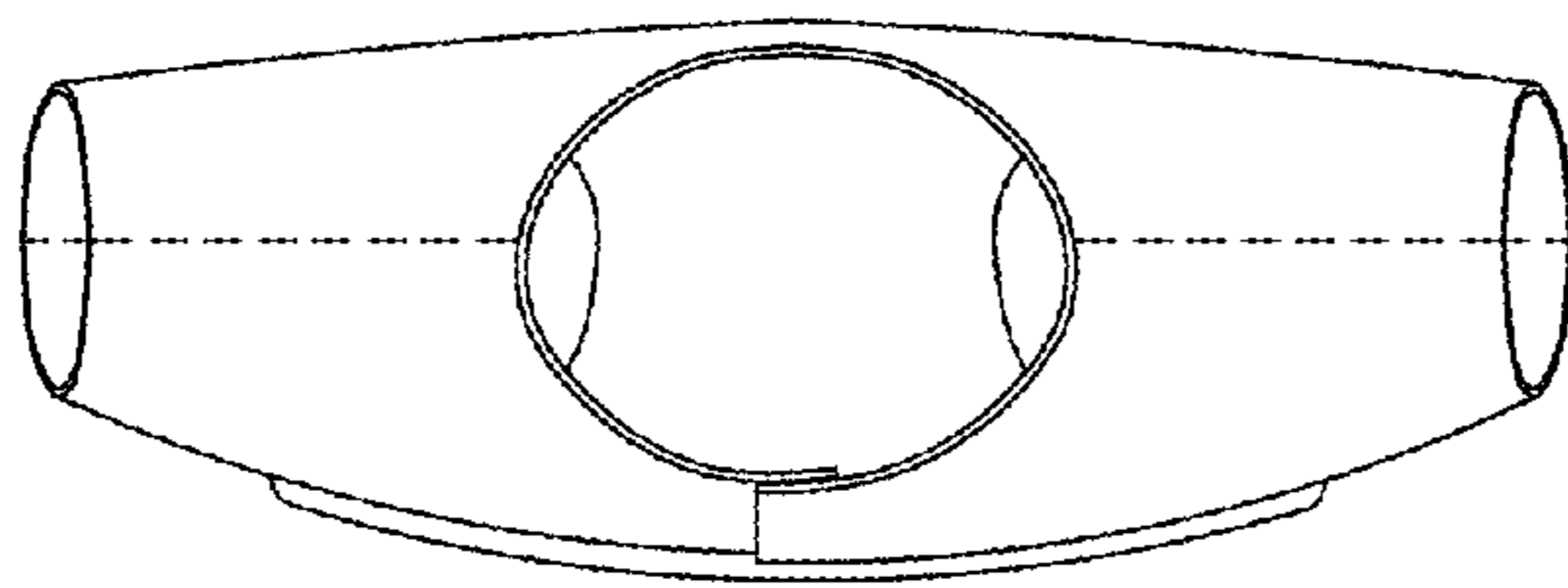


Fig. 3

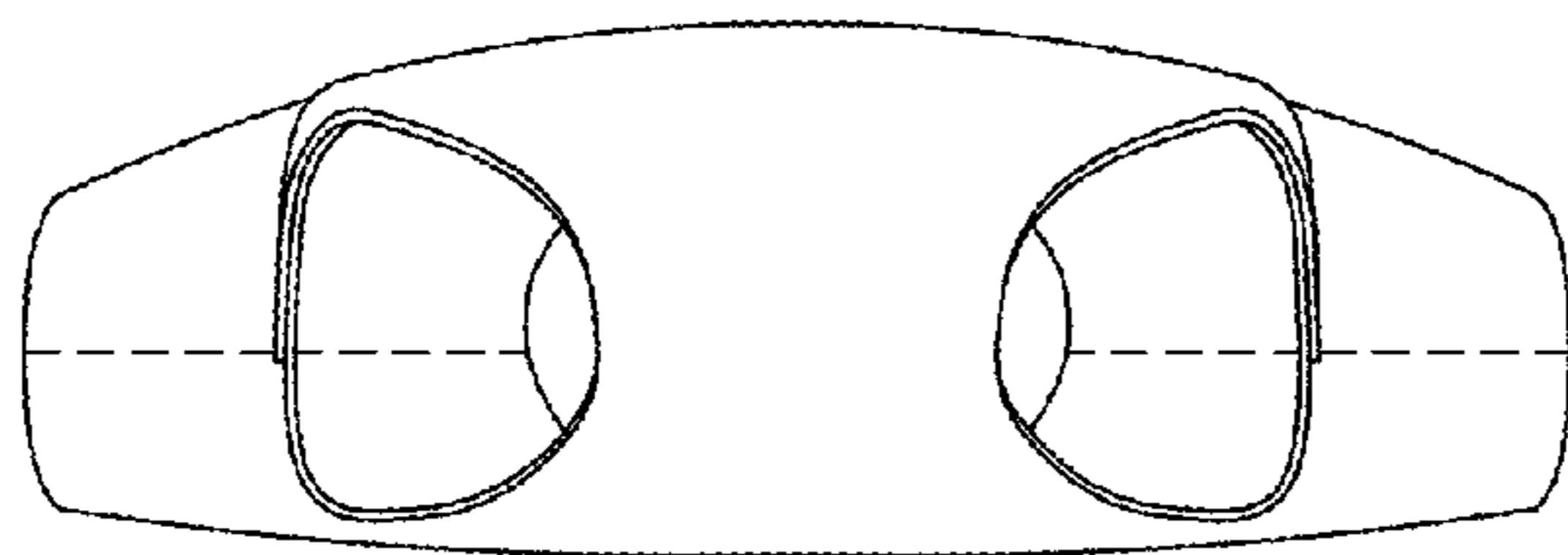


Fig. 4

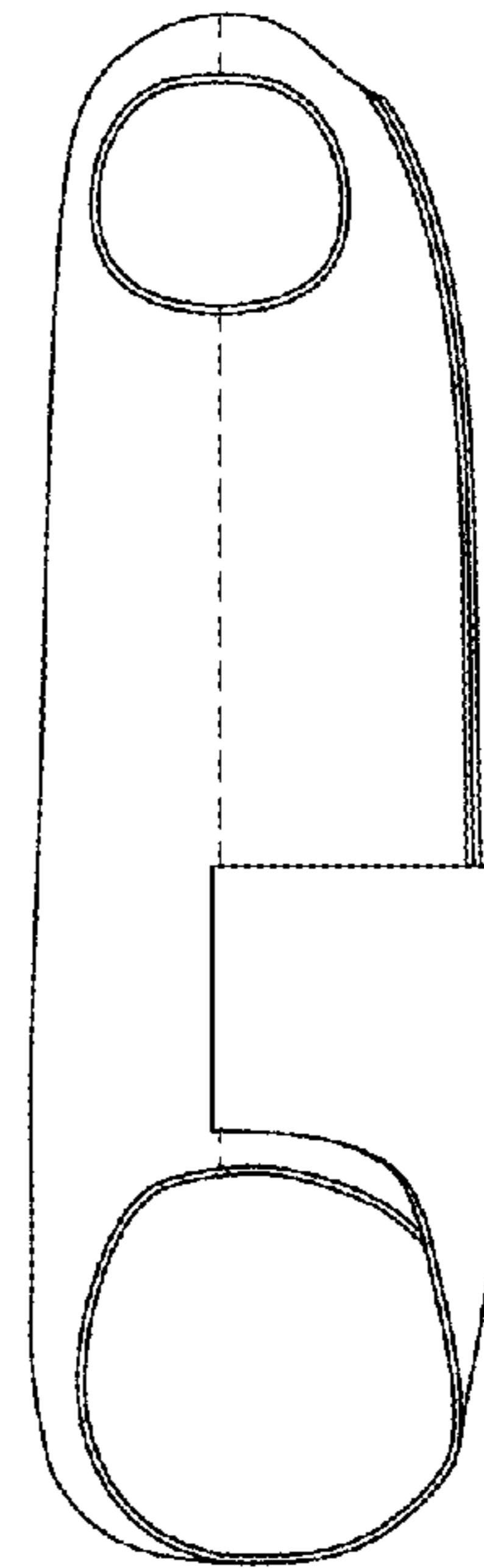


Fig. 5

UNITED STATES PATENT AND TRADEMARK OFFICE
CERTIFICATE OF CORRECTION

PATENT NO. : D762,945 S
APPLICATION NO. : 29/531233
DATED : August 9, 2016
INVENTOR(S) : Janet Lopina DeMaria

Page 1 of 3

It is certified that error appears in the above-identified patent and that said Letters Patent is hereby corrected as shown below:

On the Title Page

Replace Title Page, under DESCRIPTION "1 Claim, 1 Drawing Sheet" should read:
1 Claim, 2 Drawing Sheets as attached.

In the Drawings

Add: Sheet 2, Figures 6, 7 and 8, as shown on the attached page.

Signed and Sealed this
Seventeenth Day of August, 2021



Drew Hirshfeld
*Performing the Functions and Duties of the
Under Secretary of Commerce for Intellectual Property and
Director of the United States Patent and Trademark Office*

(12) **United States Design Patent** (10) **Patent No.:** **US D762,945 S**
Lopina DeMaria (45) **Date of Patent:** **** Aug. 9, 2016**

(54) **INFANT UNDERGARMENT**
(71) Applicant: **Janet Lopina DeMaria**, Placerville, CA (US)
(72) Inventor: **Janet Lopina DeMaria**, Placerville, CA (US)
(**) Term: **15 Years**
(21) Appl. No.: **29/531,233**
(22) Filed: **Jun. 24, 2015**
(51) **LOC (10) CL.** **02-01**
(52) **U.S. CL.**
USPC **D2/714**
(58) **Field of Classification Search**
USPC D2/712-720, 724-727
CPC A41B 9/08; A41B 13/00; A41B 13/005;
A41B 13/08
See application file for complete search history.

D741,046 S * 10/2015 Pelekanou D2/745
2010/0275340 A1* 11/2010 Wilson A41B 13/08
2/80
2013/0298305 A1* 11/2013 Lushaj A41D 11/00
2/80
2014/0165258 A1* 6/2014 Felenchak A41B 13/08
2/80
2014/0317828 A1* 10/2014 Holsinger A41B 13/08
2/80
2015/0272228 A1* 10/2015 Penner A41B 13/08
2/80

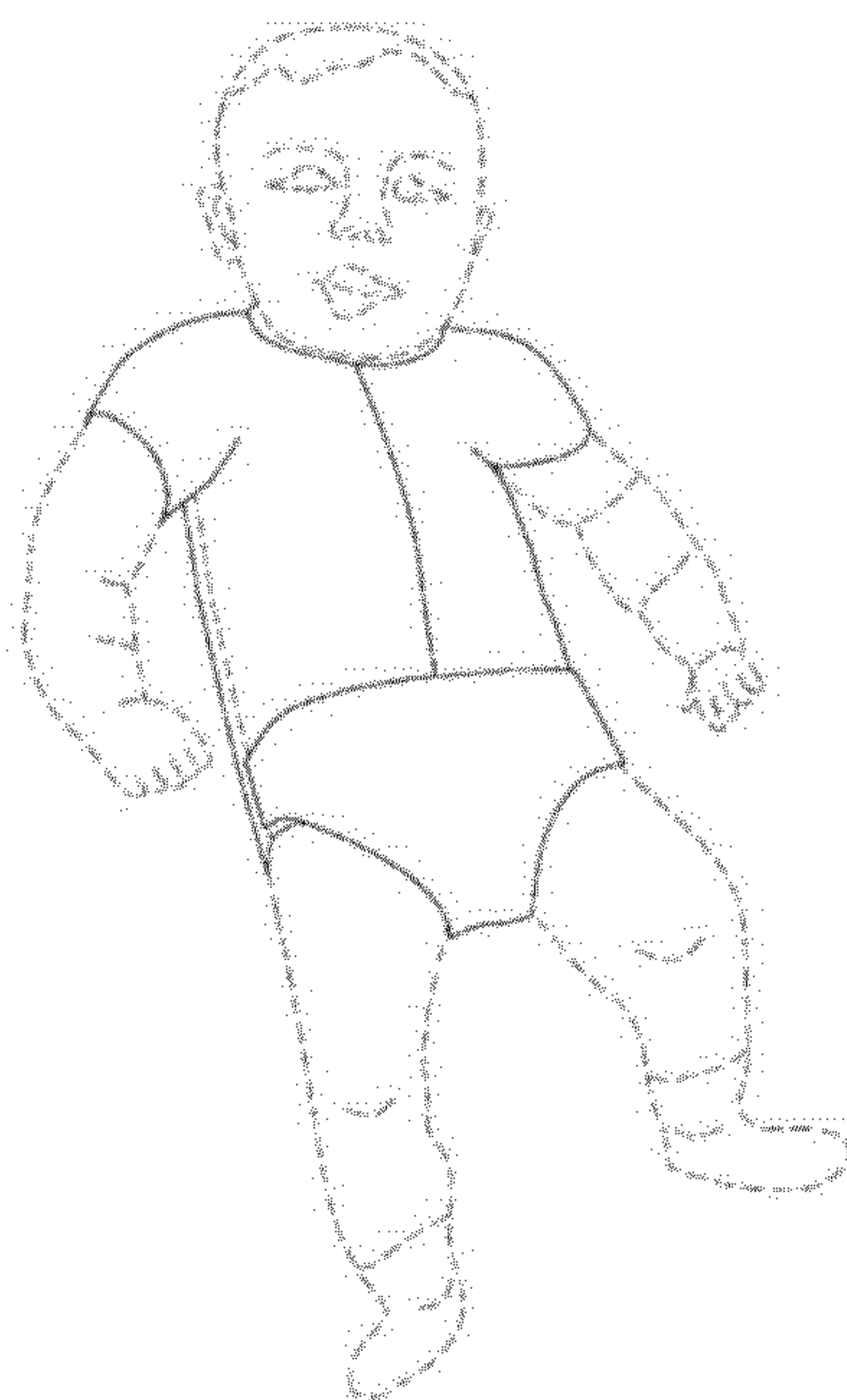
* cited by examiner
Primary Examiner — Susan Bennett Hattan
Assistant Examiner — Jennifer Wright
(74) *Attorney, Agent, or Firm* — Heisler & Associate

(57) **CLAIM**
The ornamental design for an infant undergarment, as shown and described.

DESCRIPTION
FIG. 1 is a perspective view of the infant undergarment shown in a position of use.
FIG. 2 is a front elevation view of the invention.
FIG. 3 is a top plan view of the invention.
FIG. 4 is a bottom plan view of the invention.
FIG. 5 is a left side view of the invention.
FIG. 6 is a right side view of the invention.
FIG. 7 is a rear elevation view of the invention; and,
FIG. 8 is a front elevation view of the invention with a lower flap of the infant undergarment in a fully open position.
The broken lines in the drawings depict environmental subject matter only and form no part of the claimed design.

1 Claim, 2 Drawing Sheets

(56) **References Cited**
U.S. PATENT DOCUMENTS
1,256,736 A * 2/1918 Sheehy A41B 13/00
2/80
2,015,532 A * 9/1935 Rickert A41B 9/08
2/78.2
RE23,853 E * 7/1954 Siegel A41B 13/00
604/394
7,882,570 B2 * 2/2011 Krier A41D 13/1272
2/111
D731,756 S * 6/2015 Sullivan D2/745
D731,757 S * 6/2015 Sullivan D2/745
D731,758 S * 6/2015 Sullivan D2/745



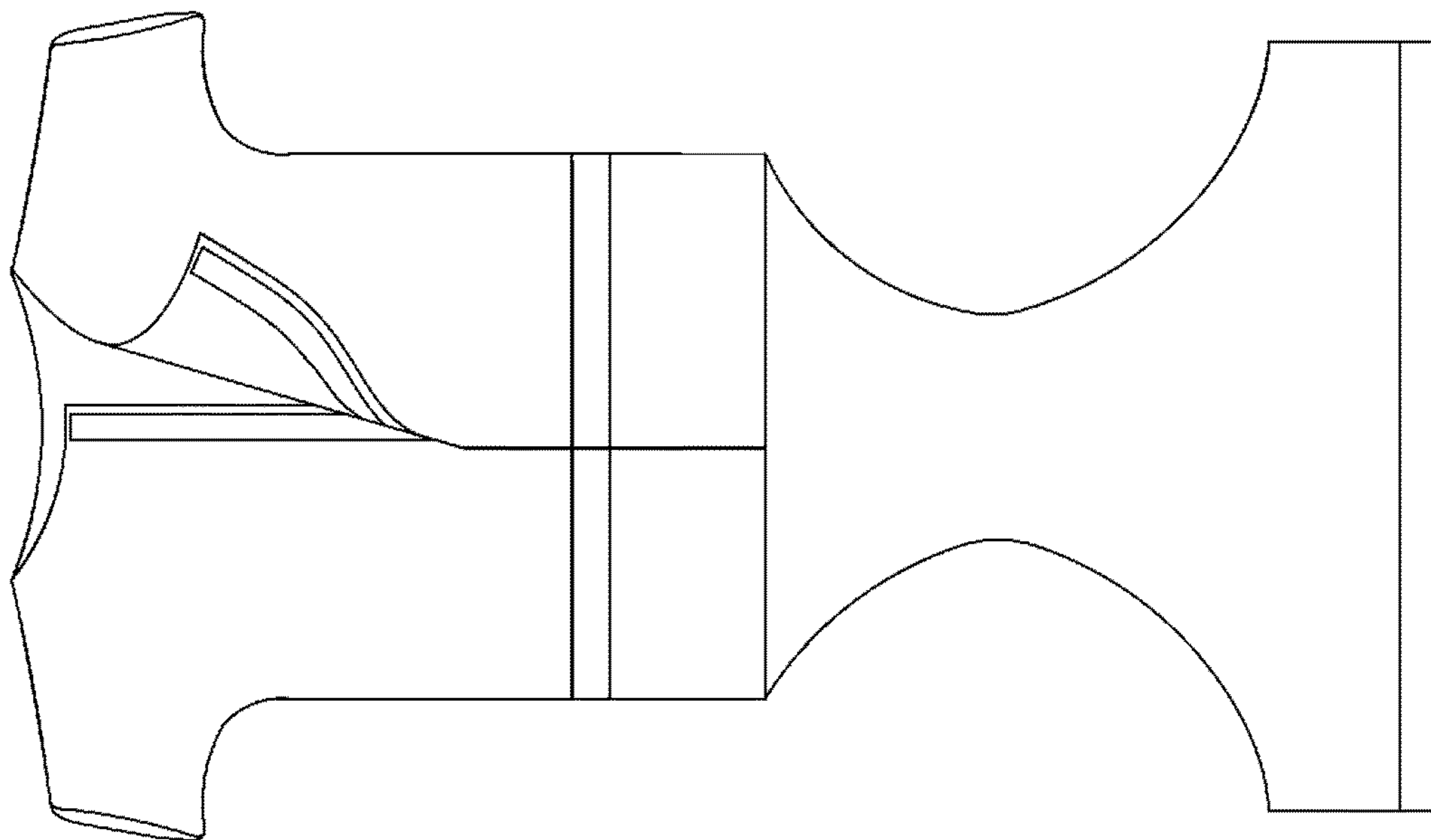


Fig. 8

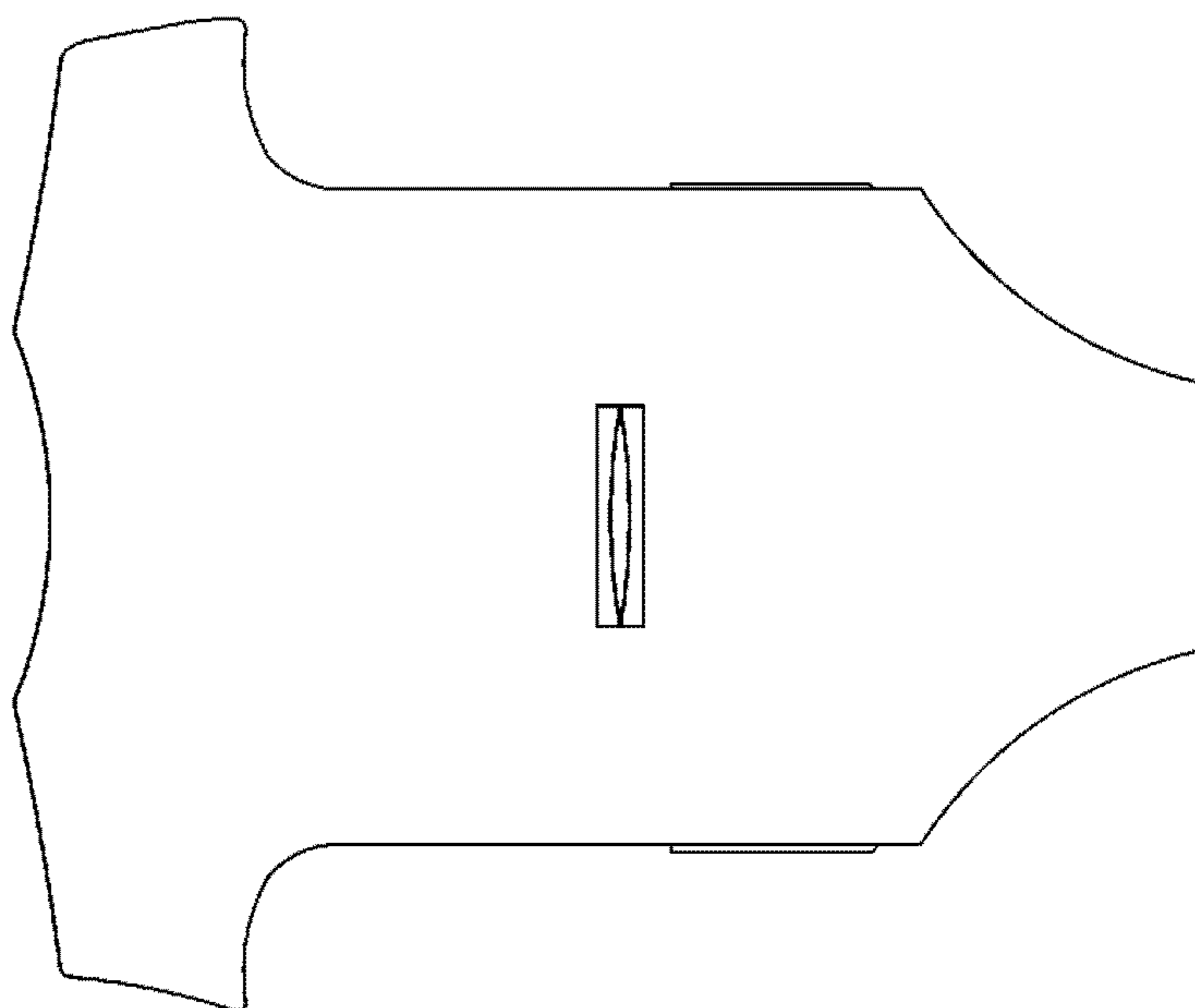


Fig. 7

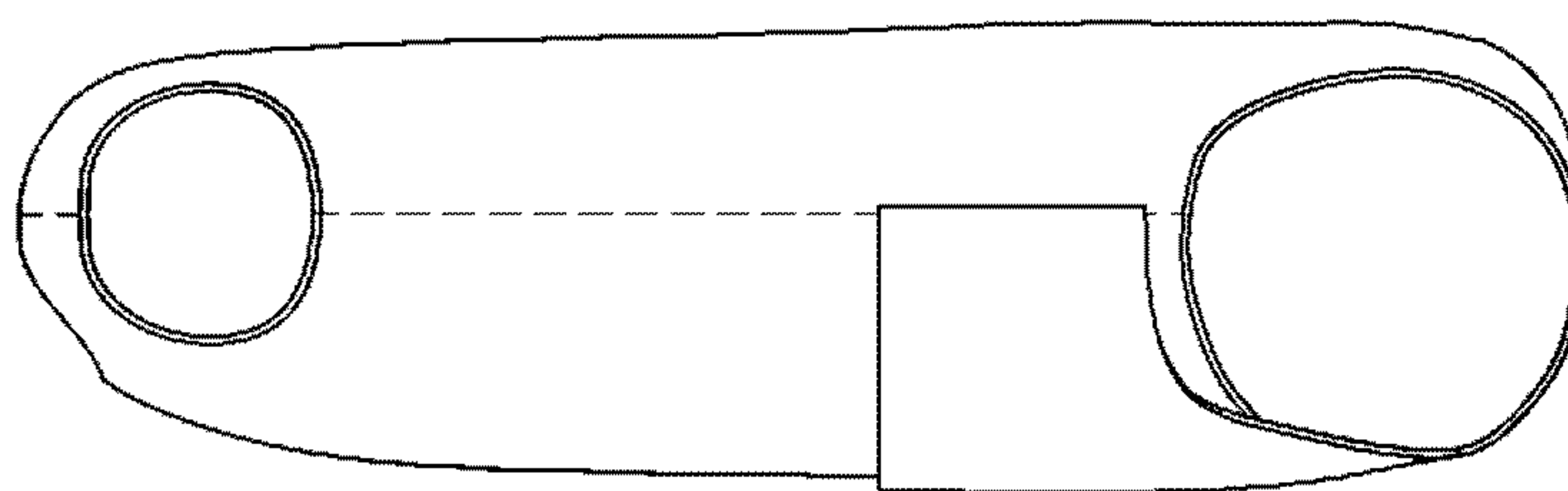


Fig. 6