



US00D762940S

(12) **United States Design Patent**  
**Chap et al.**

(10) **Patent No.:** **US D762,940 S**

(45) **Date of Patent:** **\*\* Aug. 2, 2016**

- (54) **LOCKABLE SUGGESTION DROP BOX**
- (71) Applicant: **Block and Company, Inc.**, Wheeling, IL (US)
- (72) Inventors: **John P. Chap**, Woodridge, IL (US);  
**Dale Eick**, Libertyville, IL (US);  
**Michael Barthel**, Chicago, IL (US)
- (73) Assignee: **Block And Company, Inc.**, Wheeling, IL (US)
- (\*\*) Term: **14 Years**
- (21) Appl. No.: **29/507,798**
- (22) Filed: **Oct. 30, 2014**
- (51) **LOC (10) Cl.** ..... **99-00**
- (52) **U.S. Cl.**  
USPC ..... **D99/29**
- (58) **Field of Classification Search**  
USPC ..... D99/28, 29, 31, 32, 33, 99; D20/1, 2, 4, D20/5, 6; 109/1 V, 45, 58, 59 R, 66; 70/63, 70/77, 78; 312/35; 232/1 R, 1 A, 1 B, 1 C, 232/4 R, 2, 17, 19, 20, 21, 24, 27, 30, 31, 45  
CPC ..... E05B 65/0075; E05G 1/00; E05G 1/005; E05G 1/02; E05G 1/026; E05G 2700/00; E05G 2700/02; E05G 2700/024; G07D 11/0006; G07D 11/0009; G07D 11/0015; A47G 29/14; A47G 29/16; A47G 29/20; A47G 29/1203; A47G 29/12; A47G 29/1201; A47G 29/1209; A45C 1/12; G07C 13/02  
See application file for complete search history.

- 2,552,628 A \* 5/1951 Gallaher ..... A47G 29/12 232/17
- D237,393 S \* 10/1975 Neal ..... D99/29
- D292,539 S \* 10/1987 Harlow, Jr. .... D99/29
- D327,793 S \* 7/1992 McGrory ..... 232/43.2
- D446,378 S \* 8/2001 Fischer ..... D99/29
- 6,719,195 B2 \* 4/2004 Farentinos ..... A47G 29/22 232/45
- D512,804 S \* 12/2005 Wilson ..... D99/29
- D528,260 S \* 9/2006 Wilson ..... D99/29
- 7,256,691 B2 \* 8/2007 Awobue ..... A47G 29/1214 232/17
- 7,320,427 B2 \* 1/2008 Prestwich ..... A47G 29/22 232/45
- D575,474 S \* 8/2008 Williams ..... D99/29
- 7,428,980 B2 \* 9/2008 Irwin ..... E05G 7/001 232/45
- D593,275 S \* 5/2009 Williams ..... D99/29
- D702,915 S \* 4/2014 Steele ..... D99/29
- D726,990 S \* 4/2015 Aziz ..... D99/29
- D740,515 S \* 10/2015 Aziz ..... D99/29
- 2008/0067227 A1 \* 3/2008 Poss ..... A47G 29/22 232/17

\* cited by examiner

*Primary Examiner* — Elizabeth J Oswecki  
(74) *Attorney, Agent, or Firm* — Husch Blackwell

(57) **CLAIM**  
The ornamental design for a lockable suggestion drop box, as shown and described.

**DESCRIPTION**

FIG. 1 is a front, left, perspective view of a lockable suggestion drop box showing our new design;  
FIG. 2 is a top view thereof;  
FIG. 3 is a front view thereof;  
FIG. 4 is a left side view thereof;  
FIG. 5 is a right side view thereof;  
FIG. 6 is bottom view thereof; and,  
FIG. 7 is a rear view thereof.  
The broken lines in the figures illustrate unclaimed environment and form no part of the claimed design.

**1 Claim, 4 Drawing Sheets**

- (56) **References Cited**  
U.S. PATENT DOCUMENTS  
636,947 A \* 11/1899 Bishop ..... A47G 29/1207 193/8  
1,762,477 A \* 6/1930 Hughes ..... A47G 29/124 232/45  
2,472,192 A \* 6/1949 Carter ..... A47G 29/124 116/100

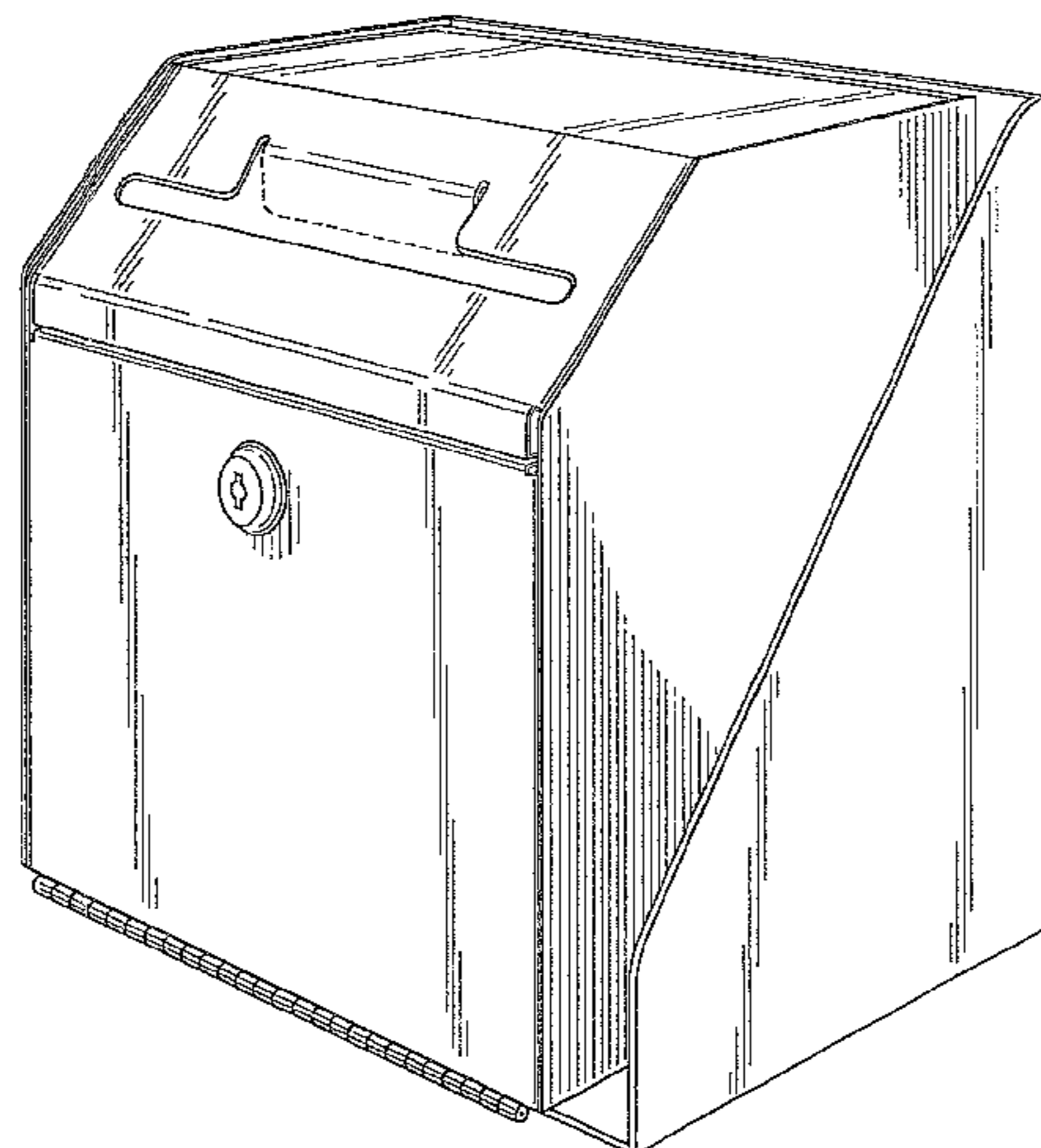
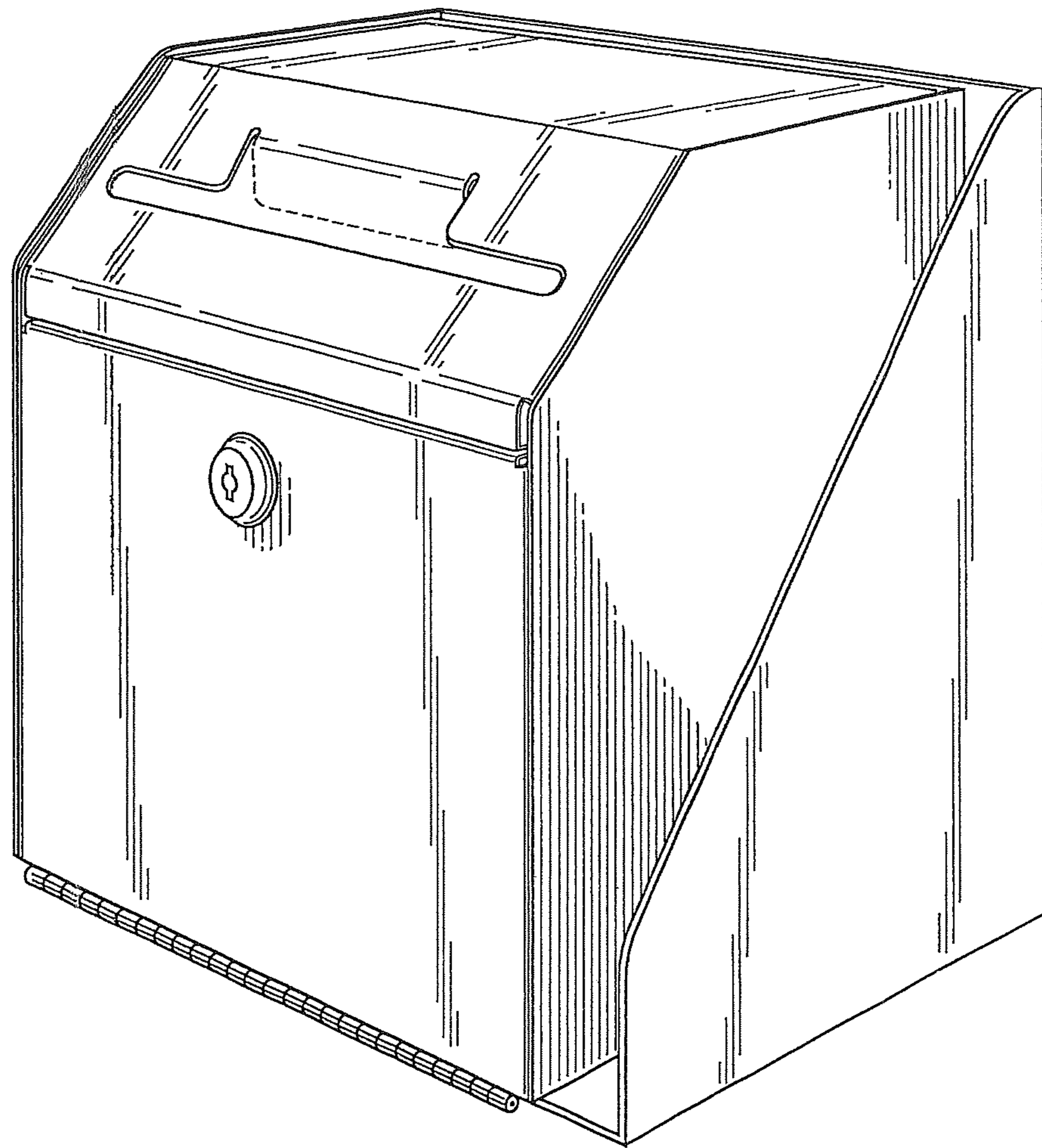
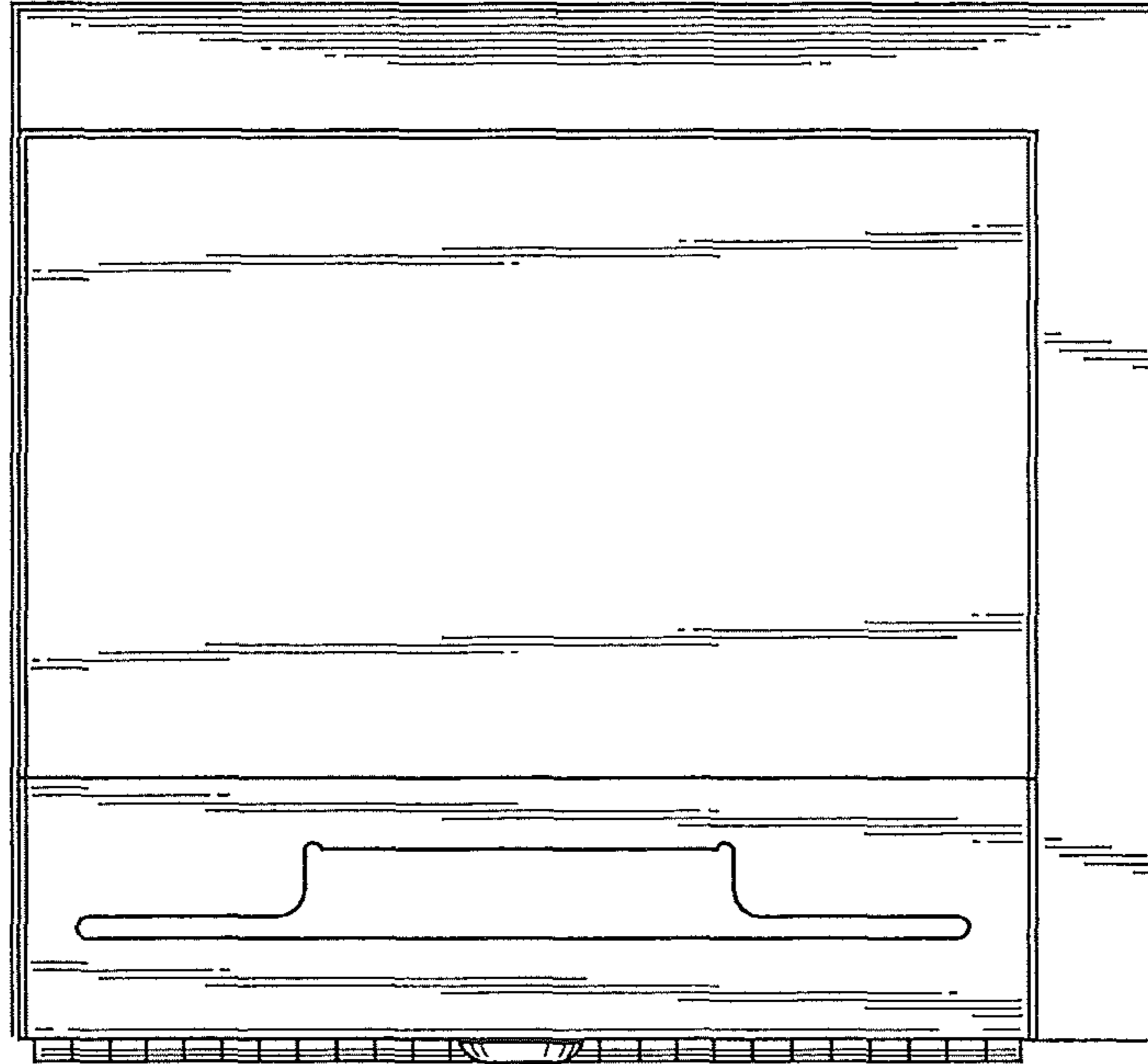


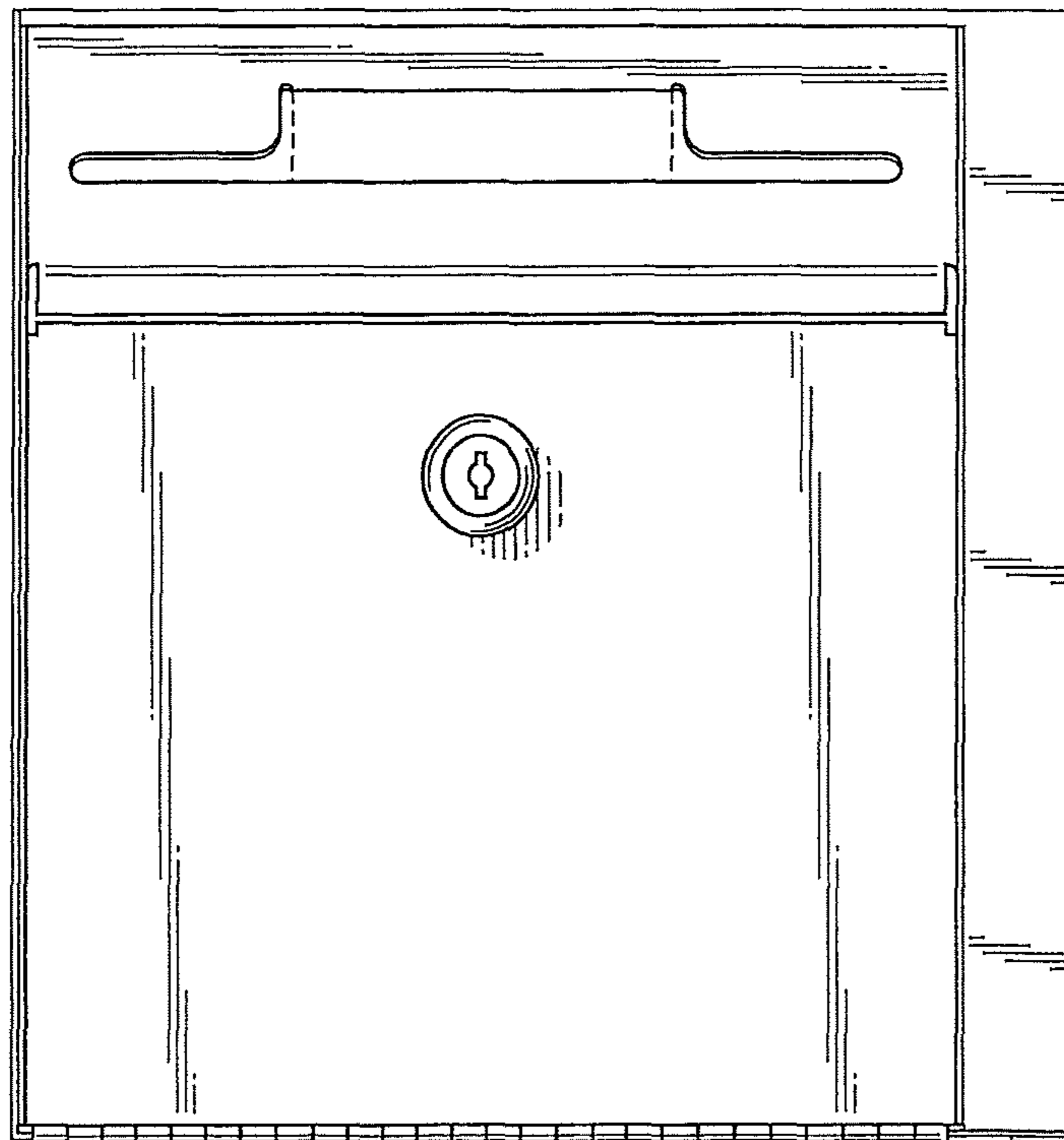
FIG 1



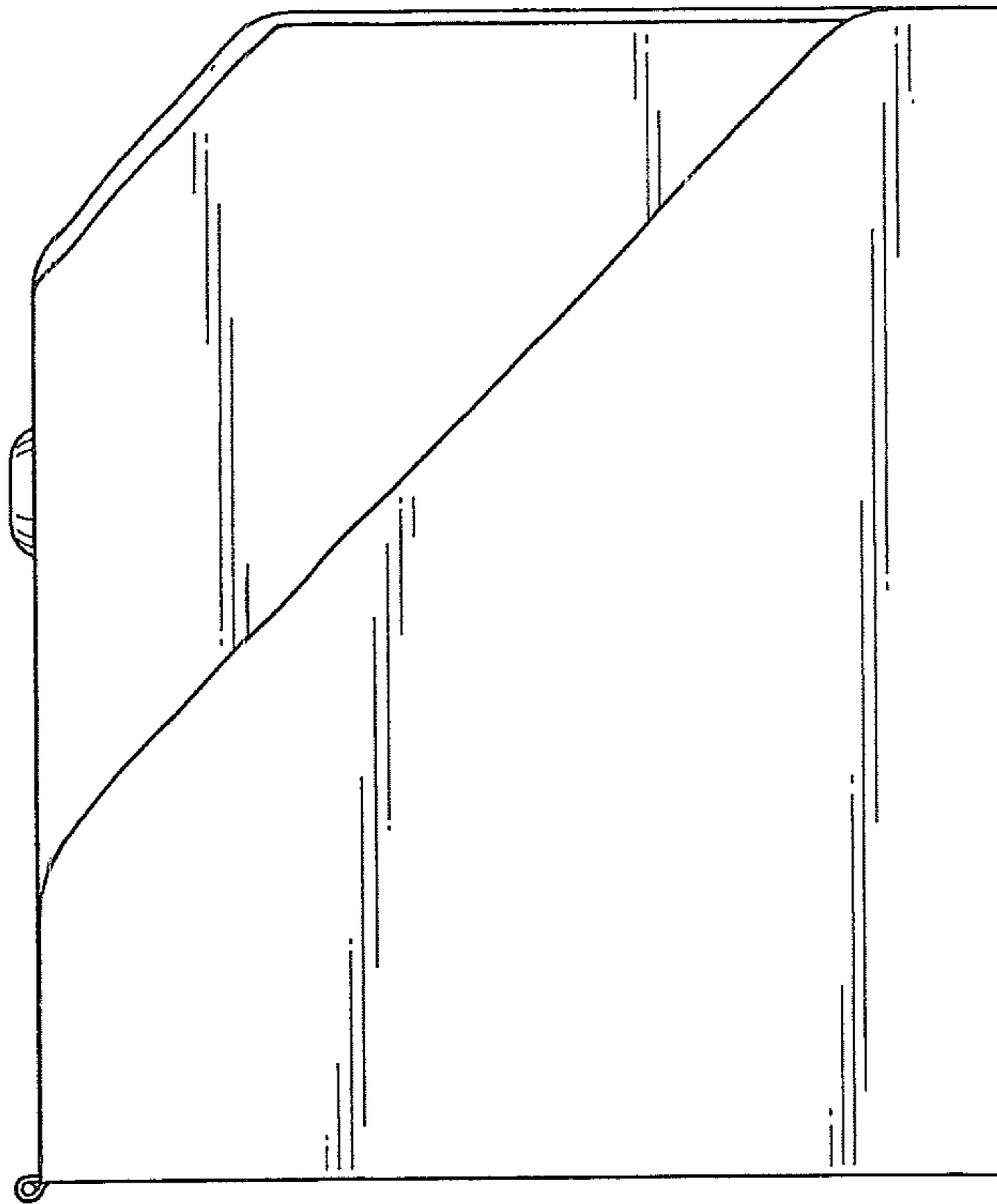
**FIG 2**



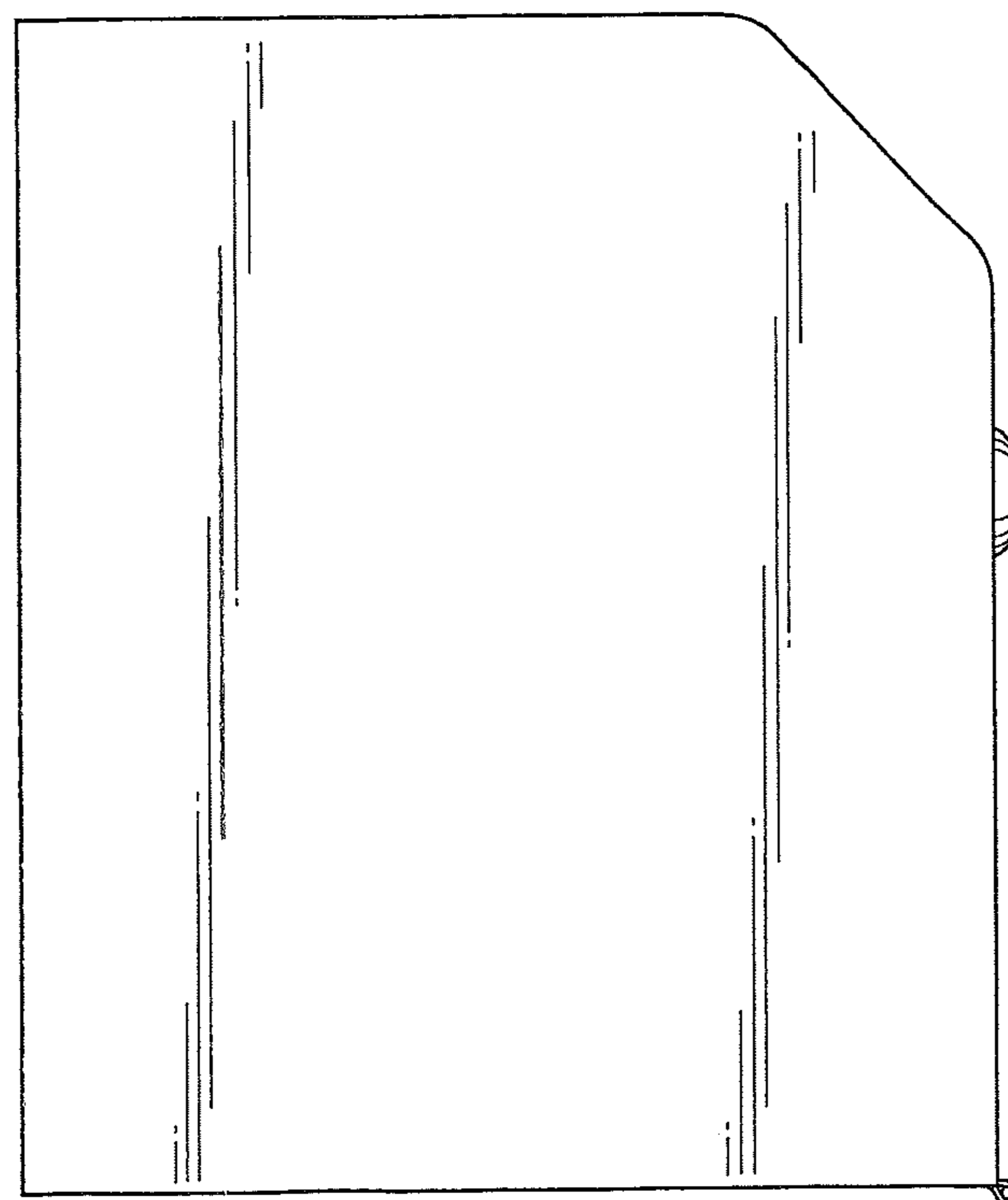
**FIG 3**



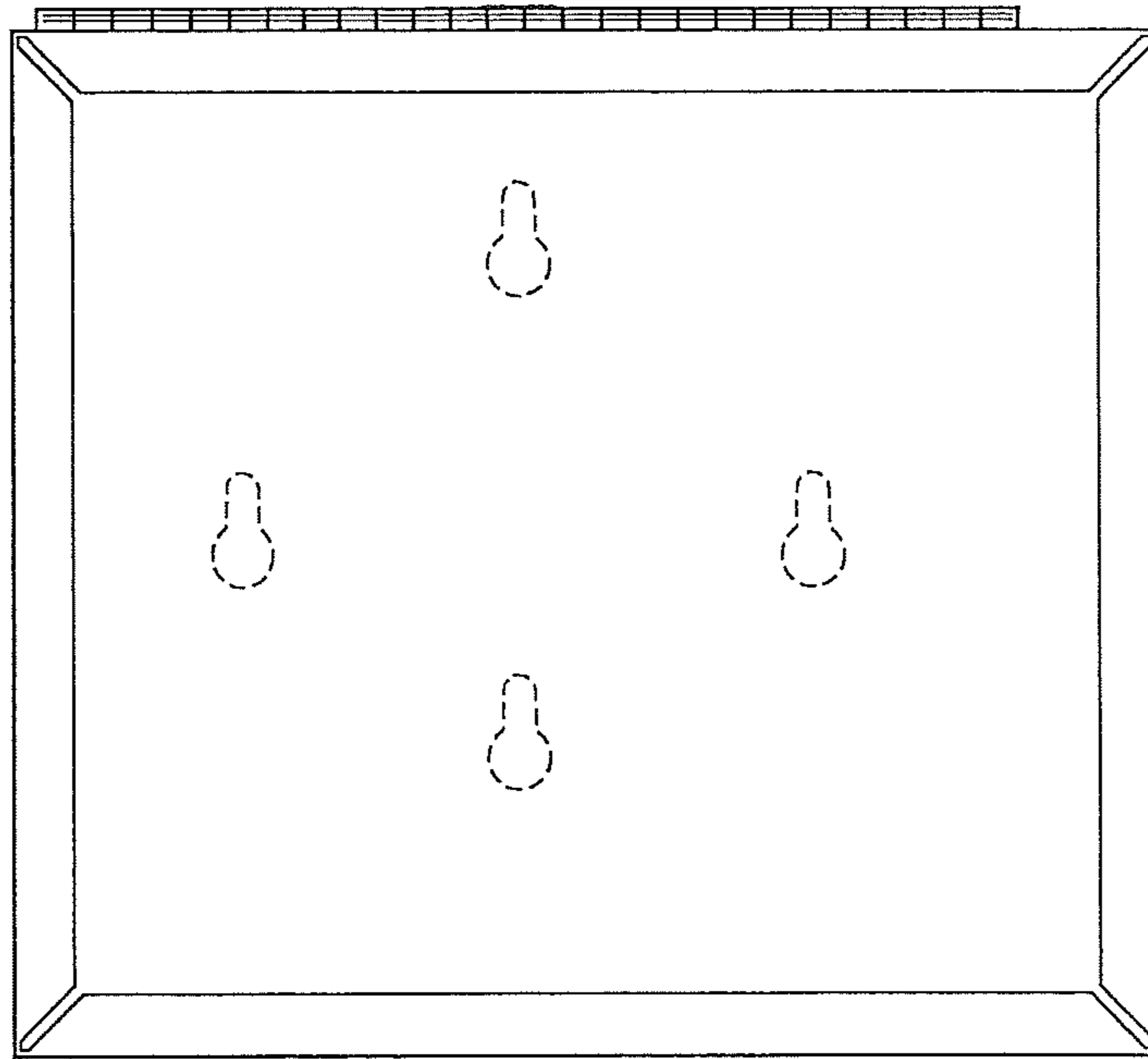
**FIG 4**



**FIG 5**



**FIG 6**



**FIG 7**

