

US00D762938S

(12) **United States Design Patent**
FROUTAN ET AL.

(10) **Patent No.:** **US D762,938 S**
(45) **Date of Patent:** **** Aug. 2, 2016**

- (54) **HANDLE FOR MOBILE DEVICE** 6,065,189 A * 5/2000 Trine B62B 5/06
16/110.1
- (71) Applicant: **Xenex Disinfection Services, LLC**, San Antonio, TX (US) D462,821 S * 9/2002 Measom D34/24
D482,836 S * 11/2003 Van Landingham, Jr. D34/27
D553,324 S * 10/2007 Lieblein D34/14
D642,763 S * 8/2011 Liang D34/14
8,816,301 B2 * 8/2014 Stibich A61L 2/10
250/428
- (72) Inventors: **Paul P. FROUTAN**, Katy, TX (US); **James R. Ogle**, Sanford, MI (US); **Boris Ciorneiu**, Great Falls, VA (US); **Rachael A. Sparks**, San Antonio, TX (US) D745,763 S * 12/2015 FROUTAN D34/27
2015/0205985 A1 * 7/2015 Jinadatha G06Q 50/22
340/10.4

(73) Assignee: **Xenex Disinfection Services LLC.**, San Antonio, TX (US)

* cited by examiner

(**) Term: **15 Years**

Primary Examiner — Cynthia Ramirez

Assistant Examiner — Gino Colan

(21) Appl. No.: **29/545,130**

(74) *Attorney, Agent, or Firm* — Egan, Peterman, Enders & Huston LLP

(22) Filed: **Nov. 10, 2015**

(57) **CLAIM**

The ornamental design for a handle for mobile device, as shown and described.

Related U.S. Application Data

(62) Division of application No. 29/472,528, filed on Nov. 13, 2013, now Pat. No. Des. 745,763.

DESCRIPTION

(51) **LOC (10) Cl.** **12-02**

(52) **U.S. Cl.** **D34/27**

USPC **D34/27**

(58) **Field of Classification Search**

USPC D34/12-27, 35; 280/30, 645, 47.36, 280/47.34, 79.11, 79.2, 79.3; 211/187
CPC B62B 5/06; B62B 5/061; B62B 5/064; B62B 9/20

See application file for complete search history.

FIG. 1 is a front perspective view of a handle for mobile device showing our new design; FIGS. 2 and 3 are, respectively, front and rear elevational views of the handle for mobile device of FIG. 1; FIG. 4 is a right elevational view of the handle for mobile device of FIG. 1; FIG. 5 is a left elevational view of the handle for mobile device of FIG. 1; and, FIGS. 6 and 7 are, respectively, top and bottom plan views of the handle for mobile device of FIG. 1.

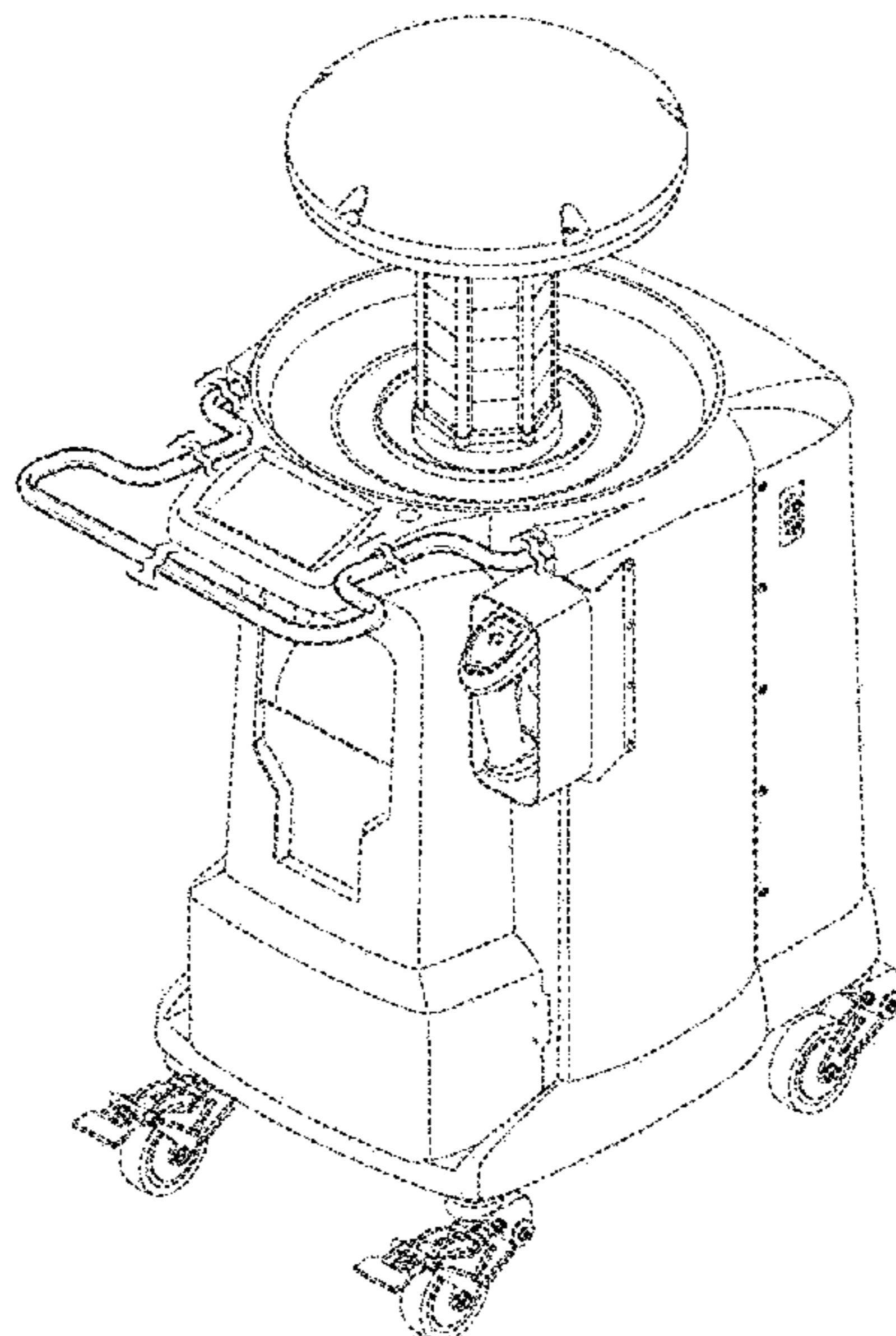
The broken line showing in the figures is for the purpose of illustrating environment and forms no part of the claimed design. The handle for mobile device is shown with a symbolic break in its length. The appearance of any portion of the article between the break lines forms no part of the claimed design.

(56) **References Cited**

U.S. PATENT DOCUMENTS

- 4,762,331 A * 8/1988 Tucker B62B 7/12
280/30
- 5,044,650 A * 9/1991 Eberle, Jr. A61G 5/10
280/304.1
- D396,925 S * 8/1998 Kessler D34/27

1 Claim, 6 Drawing Sheets



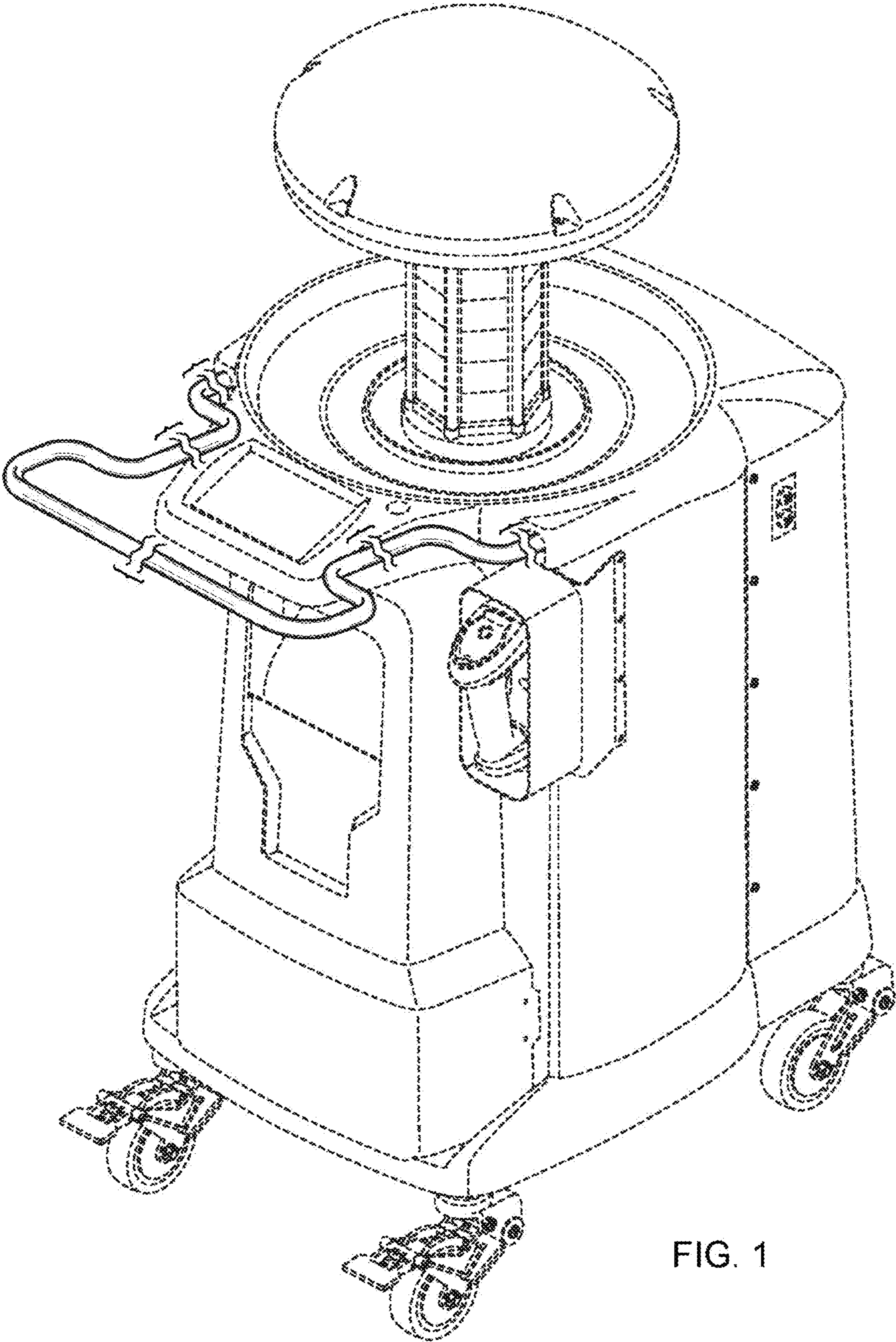


FIG. 1

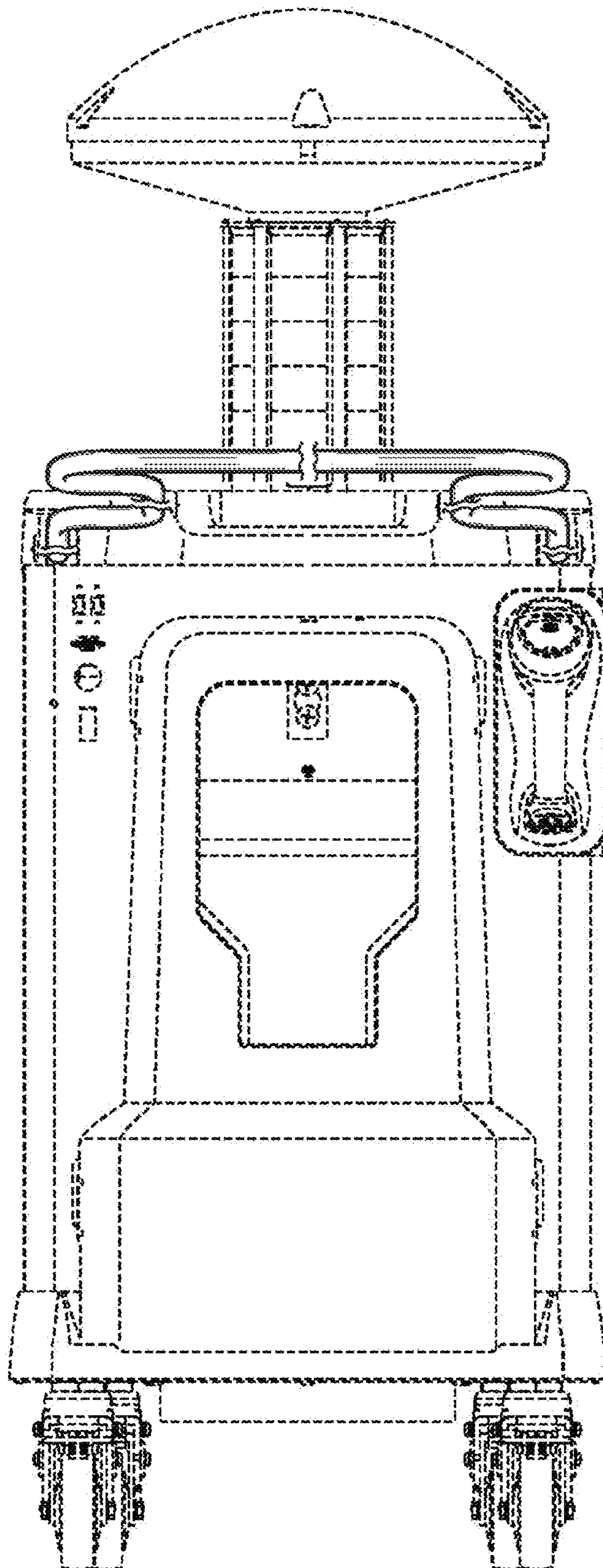


FIG. 2

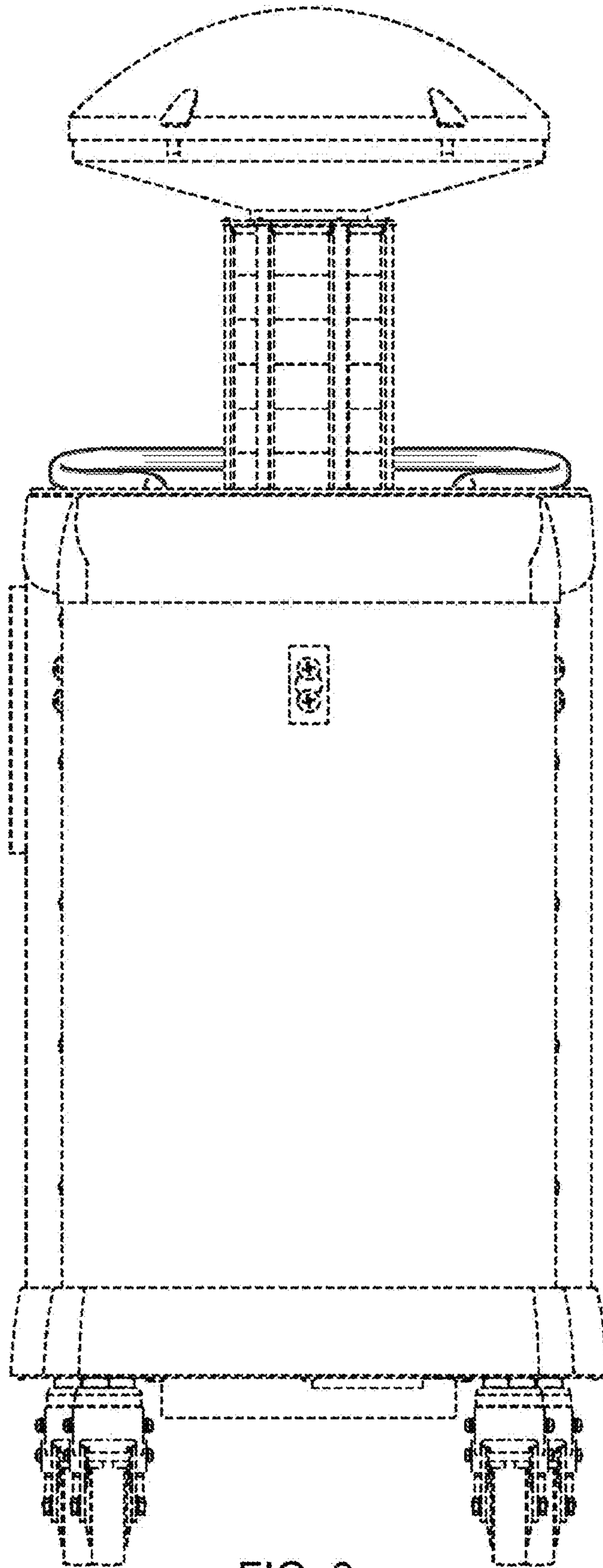


FIG. 3

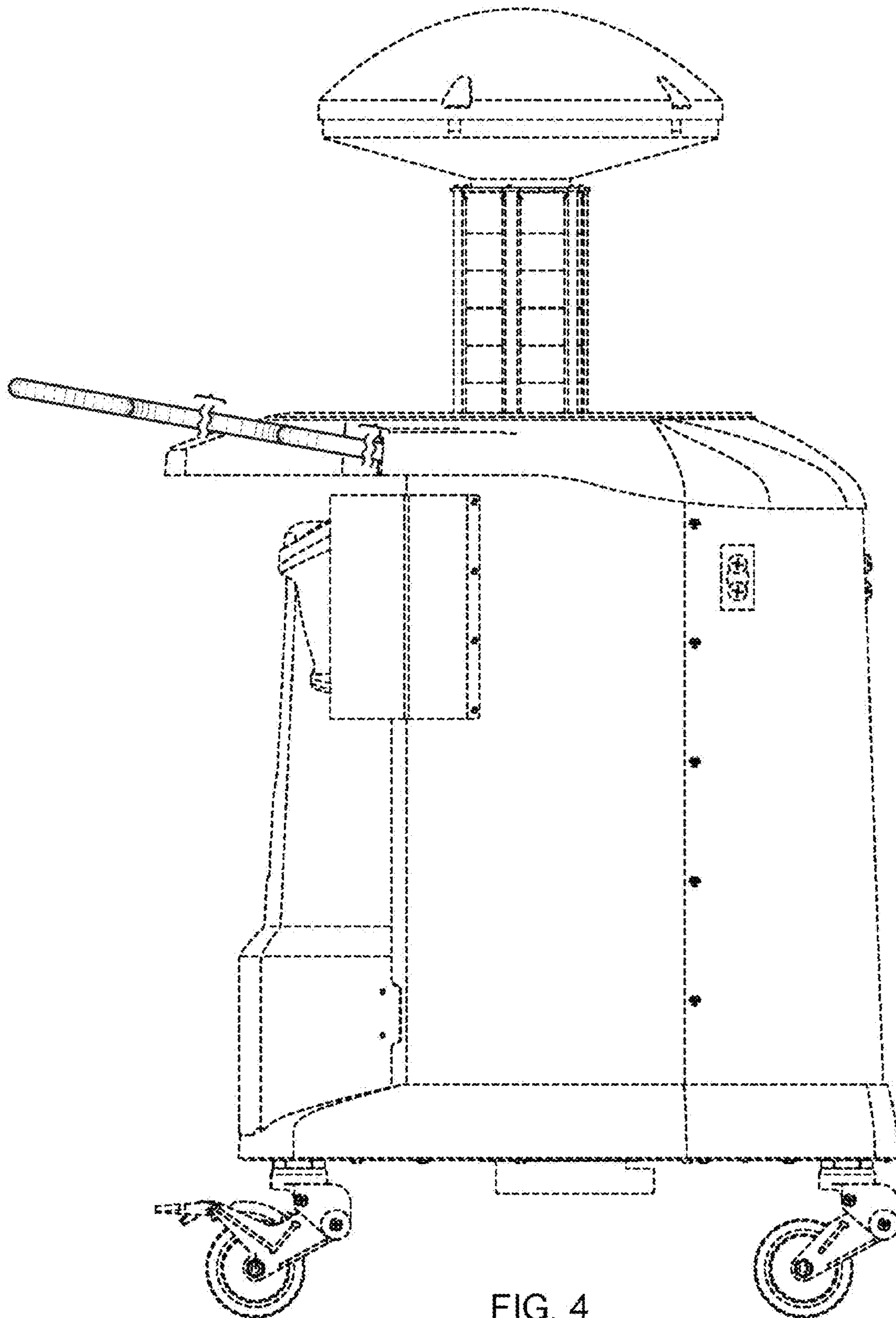


FIG. 4

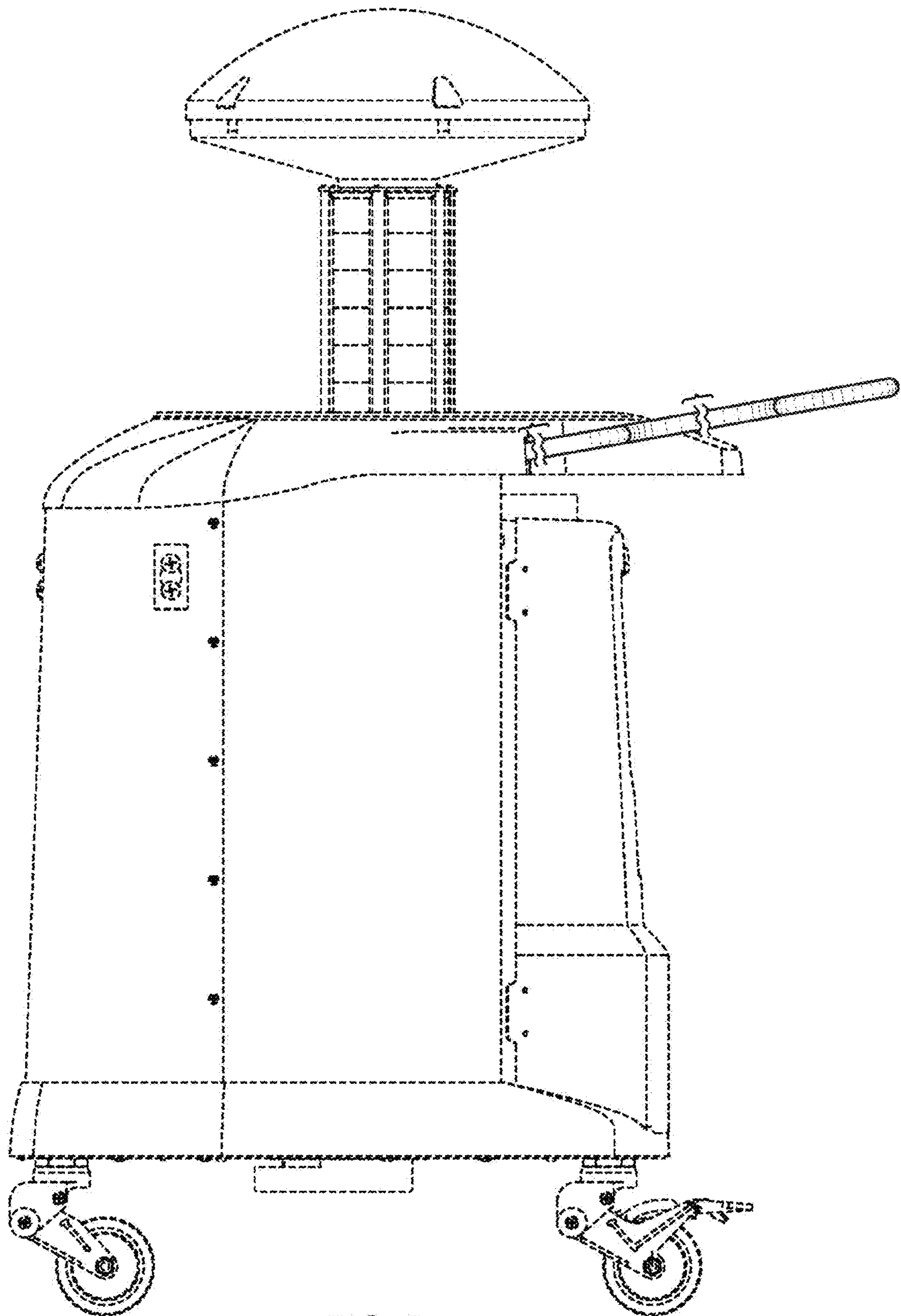


FIG. 5

FIG. 7

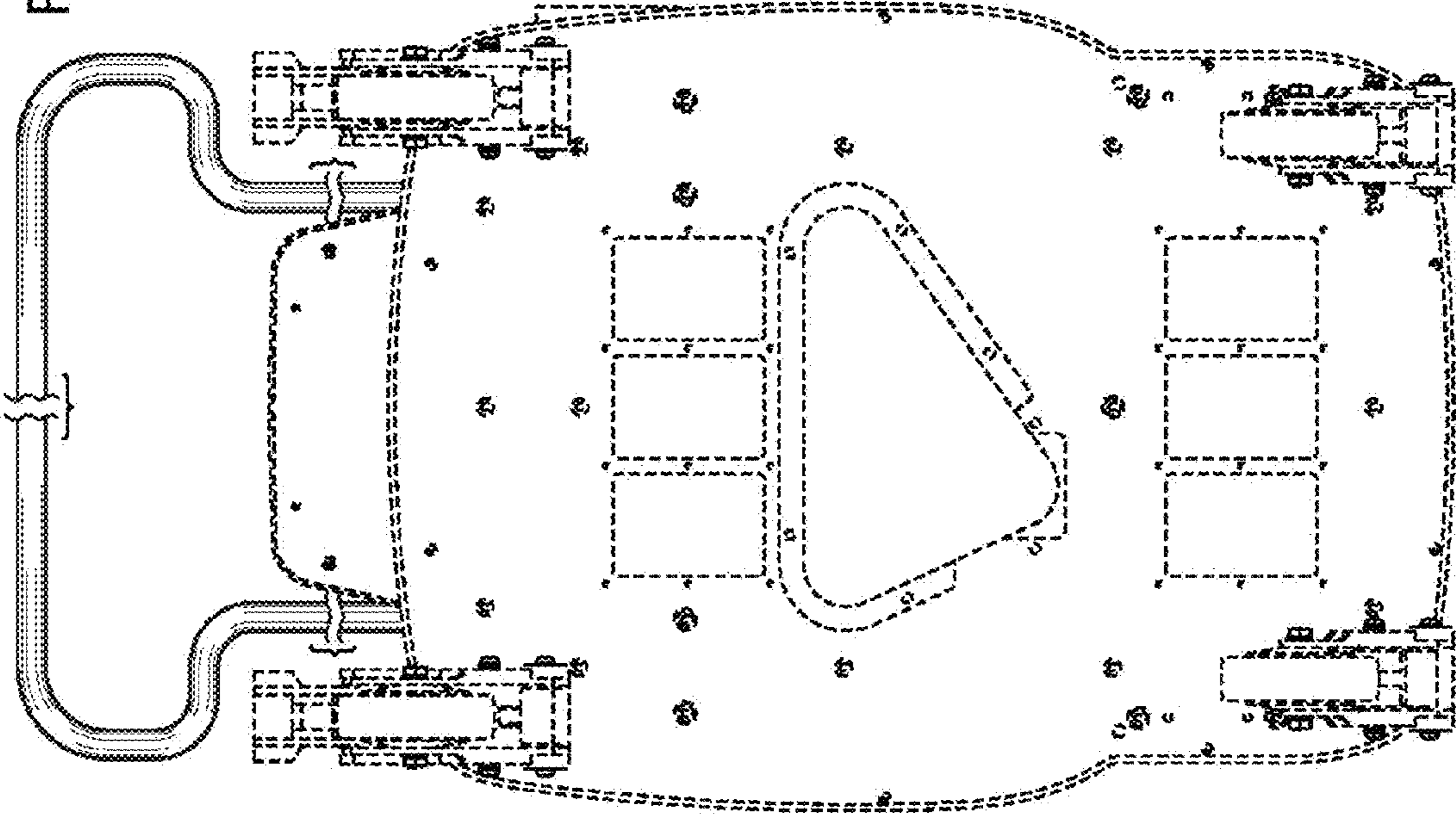


FIG. 6

